



## ENDURO® SEAL

### Product Data Sheet

Brooks' Enduro Seal was the first acrylic padlock seal for the utility market. More than 20 years later its reputation remains as the most reliable and secure indicative padlock seal available.

## APPLICATIONS

The Brooks' Enduro Seal is ideal for use on utility meters and other metering equipment and provides visible evidence should tampering attempts take place.

## FEATURES

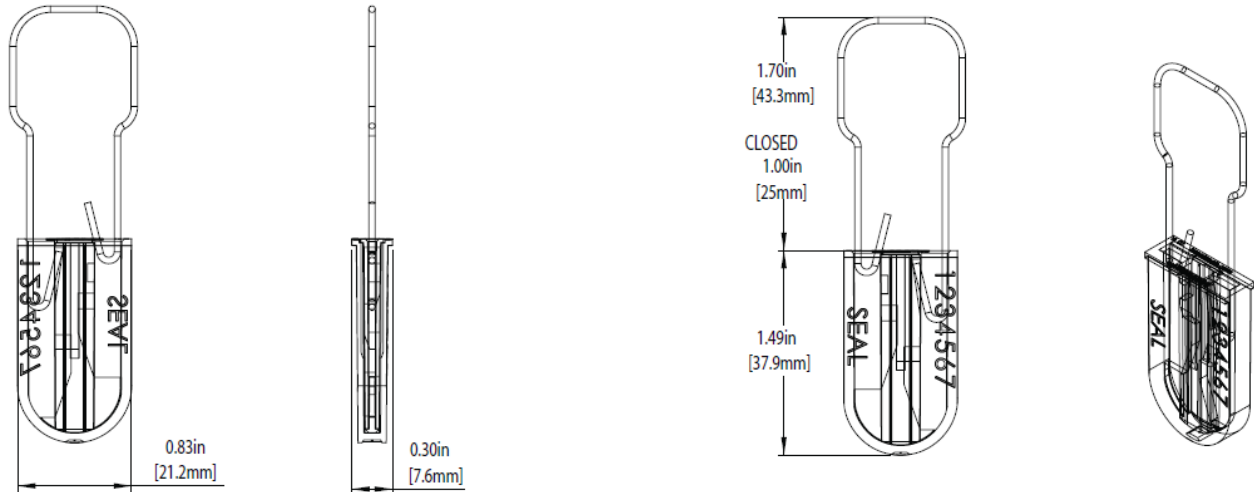
- Injection molded from highly durable acrylic plastic, the body and insert are available in a wide range of colors for utility and application specific customization.
- More than 750 color combinations available.
- Available in round or square body styles.
- 0.047" or 0.052" Wire Hasps are available in Galvanized or Stainless Steel.
- Standard or Secure Hasp configurations available.
- Heat Stamping with company name, logo and serial number are available.



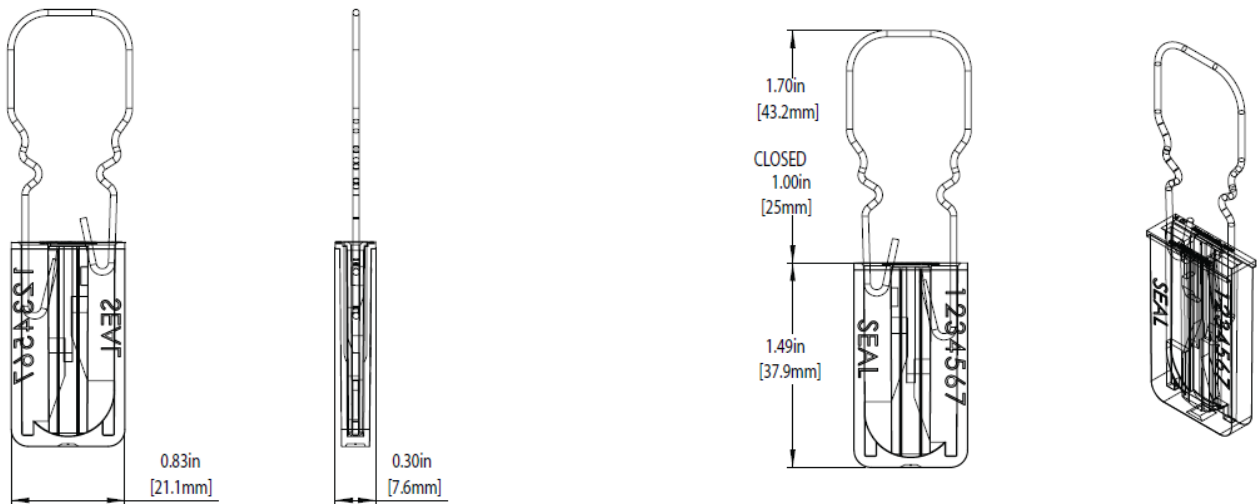
ENDURO SEAL COLOR CHART		1 RED	2 GREEN	3 LT BLUE
4 ORANGE	5 GRAY	6 YELLOW	7 MAROON	8 BLACK
9 GOLD	10 WHITE	11 PINK	12 PURPLE	13 DK BLUE
14 DK GREEN	18 BROWN	19 LIME	20 ROSE	21 RUST
22 BEIGE	23 HOT PINK	24 TRANS-LUCENT	27 CLEAR	28 SHRIMP

# DIMENSIONS

## ROUND BODY REGULAR HASP



## SQUARE BODY SECURE HASP



## MODEL NUMBERS

- 60600XX-X** .047" Galvanized Regular Hasp, Round Body
  - 60610XX-X** .047" Galvanized Secure Hasp, Round Body
  - 60550XX-X** .052" Galvanized Secure Hasp, Round Body
  - 60800XX-X** .047" Stainless Steel Regular Hasp, Round Body
  - 60810XX-X** .047" Stainless Steel Secure Hasp, Round Body
  - 60850XX-X** .052" Stainless Steel Secure Hasp, Round Body
- Note: XX denotes insert color. X denotes body color.*

## PACKAGING

- Standard Packaging:**  
1,000/Box—5,000/Carton
- Carton Dimensions:**  
41" x 14" x 11" (104cm x 35cm x 28cm)
- Carton Weight:**  
Gross: 67 lbs (30kg)  
Net: 62 lbs (28 kg)