

DESCRIPTION

Aperia has released a new torque specification and Grade 8 hex bolt to enhance reliability.

IMPACT

The Grade 8 hex bolts replaces the existing Grade 5 hex bolt during the installation of the Halo device (see Figure 1). All existing, and new bolts should now be torqued to the 20 +/- 2 ft-lb specification, as opposed to the previously communicated 15 +/- 2 ft-lb setting.

While this is a running change, corrective actions must be performed during the regular preventative maintenance cycle to avoid potential safety risks.

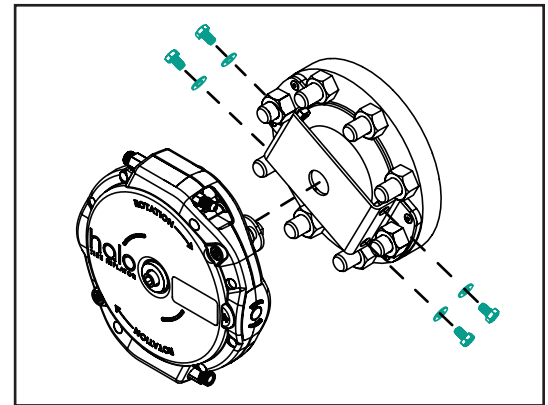


Figure 1. Updated bolts in teal

AFFECTED PARTS

All hex head bolts shipped by Aperia to fasten the Halo onto the bracket, shown in Figure 1 and detailed in Table 1, are affected by this update.

CORRECTIVE ACTION

- The Grade 5 hex bolts should be torqued to 20 +/- 2 ft-lb during the next preventative maintenance.
- The Grade 8 hex bolts with nylon patch should be torqued to 20 +/- 2 ft-lb during the next preventative maintenance.
- All future Halo shipments will include Halo User Manual (IN-100UM_R03), which includes the updated torque specification.
- Bolts should be checked during recommended maintenance, as outlined in the Halo User Manual (IN-100UM_R03).

Please review the table below for the corrective action that should be taken for each bolt.

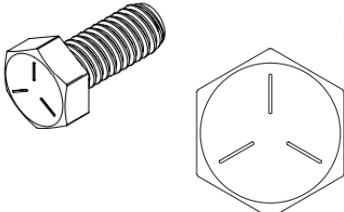
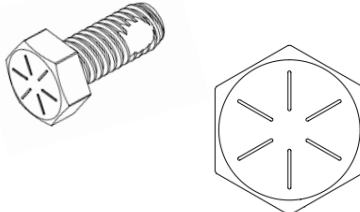
Description	Standard Hex Bolt	
	Grade 5 Hex Bolt	Grade 8 Hex Bolt w/ Threadlocking Patch
First Ship Date	5/27/2015	12/30/2016
Image		
Status	Discontinued	Active
Corrective Action	Tighten to 20 +/- 2 ft-lb during next preventative maintenance	Tighten to 20 +/- 2 ft-lb during next preventative maintenance

Table 1. Details of Aperia issued hex bolts and corrective actions



If the corrective actions are not completed at each vehicle's next preventative maintenance the Halo may be at risk of detaching from the vehicle during operation.

