

Thank you for your purchase of the Halo Tire Inflator from Aperia Technologies. To ensure the parts shipped fit correctly, it is important that we receive accurate information about your vehicles. Please fill out the form below.

Use a new form for each group of trucks with different axle/wheel configuration, pressure set point, or hub measurements. This form can also be found online at: <http://www.aperiatech.com/spec-wizard>.

## CUSTOMER INFORMATION

**FIRST NAME:** \_\_\_\_\_ **LAST NAME:** \_\_\_\_\_  
**COMPANY NAME** \_\_\_\_\_ **DATE:** \_\_\_\_\_  
**PRIMARY PHONE:** \_\_\_\_\_ **PRIMARY EMAIL:** \_\_\_\_\_  
**SHIPPING ADDRESS:** \_\_\_\_\_ **CITY/ STATE/ ZIP:** \_\_\_\_\_  
**VEHICLE MAKE:** \_\_\_\_\_ **VEHICLE MODEL:** \_\_\_\_\_

## VEHICLE INFORMATION

1. Vehicle type: (circle one) Tractor Trailer      2. Target tire pressure: \_\_\_\_\_ PSI  
3. How many axles (excluding steers) does the vehicle have? (e.g. Tandem axle = 2 axles) \_\_\_\_\_ axles  
4. How many lift axles (pusher/tag) does the vehicle have? \_\_\_\_\_ axles  
5. Target tire pressure for steer tires: \_\_\_\_\_ PSI

## WHEEL INFORMATION

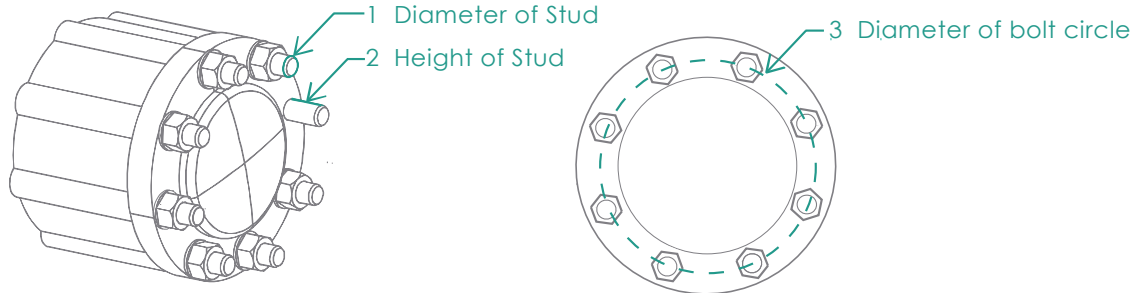
6. Wheel diameter:      24.5 inches      22.5 inches      19.5 inches      17.5 inches  
7. Wheel type:      Dual      Wide-base  
8. Wheel material and design:      Steel 5 Hand-hole      Steel 2 Hand-hole      Aluminium      Other  
9. How many vehicles of this spec will have Halos installed? \_\_\_\_\_ vehicles  
10. How many vehicles of this spec will run Aperia telematics? \_\_\_\_\_ vehicles  
11. Do you run any of the following technologies on the vehicles?

TPMS	Y	N
AERODYNAMIC WHEEL COVERS	Y	N
HUBODOMETERS	Y	N
TAG AXLES	Y	N
TIRE EQUALIZATION TECH	Y	N

Anything that wasn't covered in the form about the vehicles or hub measurements? \_\_\_\_\_  
\_\_\_\_\_  
\_\_\_\_\_

## TRACTOR HUB MEASUREMENTS

12. Please take the following measurements so we can properly specify a bracket to mount the Halo.



1. Diameter of stud: \_\_\_\_\_ inches  
(typically 5/8" or 3/4")

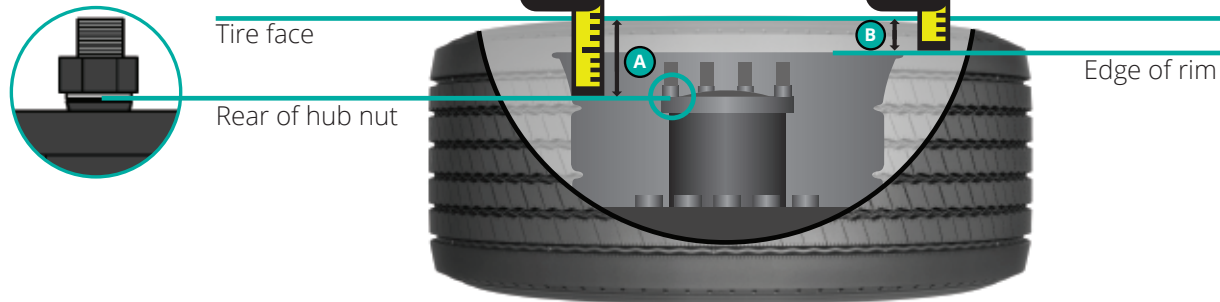
2. Height of stud: \_\_\_\_\_ inches

3. Bolt circle diameter: \_\_\_\_\_ inches  
(typically 7")

## TRACTOR OFFSET MEASUREMENT

Measurement **A** \_\_\_\_\_ inches

Measurement **B** \_\_\_\_\_ inches



## TRAILER HUB MEASUREMENTS

13. Please provide hubcap manufacturers and part numbers to help us properly specify a bracket for your trailers.

### HUBCAP 1:

Manufacturer: \_\_\_\_\_

Part number: \_\_\_\_\_

### HUBCAP 2:

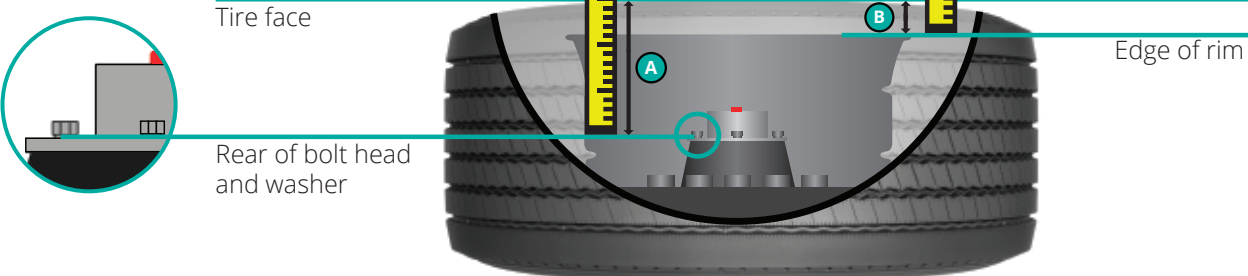
Manufacturer: \_\_\_\_\_

Part number: \_\_\_\_\_

## TRAILER OFFSET MEASUREMENT

Measurement **A** \_\_\_\_\_ inches

Measurement **B** \_\_\_\_\_ inches



## COMPLETE & SEND FORM

Please email a copy of your completed form to [sales@aperiatech.com](mailto:sales@aperiatech.com) or fax to (415) 524-2449.  
Please include photos if you are unsure about any measurements.