

## Commercial-Sized Water Heating System

**HOT**

**CLEAN**

**GREEN**



**The World's Cleanest, Greenest Direct-Contact Water Heating System Just Got Smaller.**

**Big energy efficiency now comes with a smaller footprint.** The QuikWater® Hot Shot direct-contact water heating system is the new right-size solution for commercial applications that require hot water on demand. The Hot Shot delivers pure, potable hot water with 99% efficiency, cutting your monthly energy cost virtually in half and helping your business operate eco-friendly.

- Innovative clean-burn combustion technology; non-pressurized
- 6 gpm to 16 gpm of pure, potable water on demand
- Small footprint, ideal for commercial applications
- 99% energy efficient, up to 40% energy savings
- Fast ROI compared to boilers or indirect-contact heating systems
- 200,000 btu/hr to 400,000 btu/hr with temperatures up to 180°F
- Runs on propane or natural gas
- Easy installation and maintenance
- Pre-piped, pre-wired, factory tested
- Plug and play system ships in one piece
- Small storage



The QuikWater Hot Shot is ideal for smaller meat packing plants, car washes, commercial laundries, and cafeteria, hospital and institutional kitchens.

# Hot. Clean. Green. That's the QuikWater advantage.

Hot Shot Heater Capacities			
Temp Rise	GPM per BTU Setting		
	200,000 BTUs	300,000 BTUs	400,000 BTUs
30	13.3	NA	NA
40	10.0	15.0	NA
50	8.0	12.0	16.0
60	6.7	10.0	13.3
70	5.7	8.6	11.4
80	NA	7.5	10.0
90	NA	6.7	8.9
100	NA	6.0	8.0
110	NA	5.5	7.3
120	NA	NA	6.7

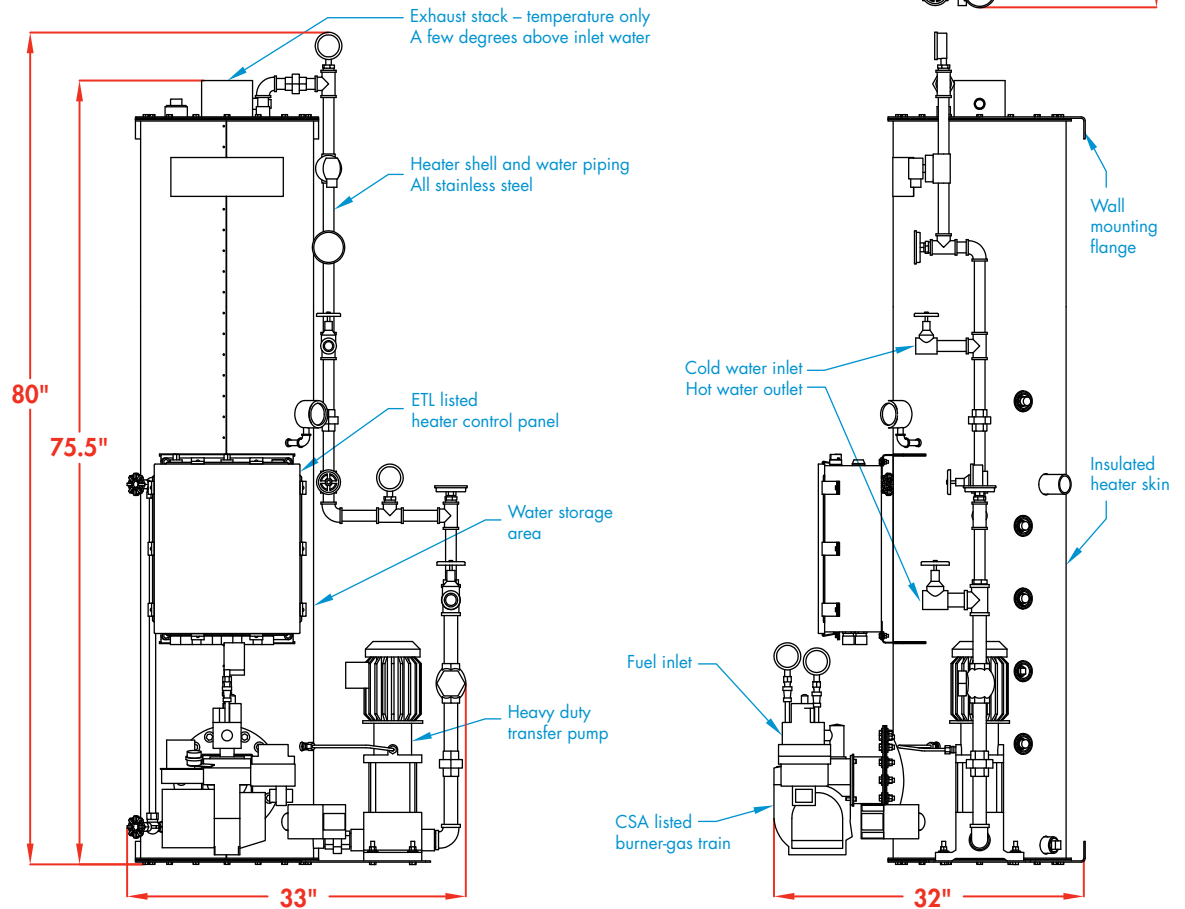
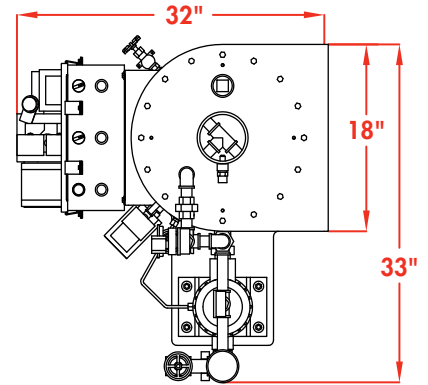
QuikWater® Hot Shot can be set for a range of BTU needs.

### Heater Calculations:

$\text{Temp Rise} \times \text{GPM} \times 500 = \text{BTU Required}$

$\text{Temp Rise} = \text{Hot Water Temp} - \text{Cold Water Temp}$

- Inlet Size: 3/4" FNPT
- Outlet Size: 1" FNPT
- Fuel Inlet Size: 3/4" FNPT
- Electrical Connection: 230v single phase, 12 amp
- Stack Connection Size: 4" FNPT



There's no better time to put QuikWater direct-contact water heating systems to work in your business. Call us today at 918.241.8880 and learn why we are the Number One brand for hot, clean, green water-heating technology.



**918-241-8880**

fax: 918-241-8718 | sales@quikwater.com  
110 North Garfield/Suite 100 | Sand Springs, OK 74063

[www.quikwater.com](http://www.quikwater.com)