

Produces Hot Water Up to 200°F



QuikWater®

MegaHeater

HOT

CLEAN

GREEN

The World's Cleanest, Greenest Direct-Contact Water Heating System Now Produces the Hottest Water

**Mega energy efficiency. Mega hot water.** The QuikWater® MegaHeater is one serious direct-contact water heating system—and the only system of its kind engineered to produce pure, potable hot water up to 200°F. The MegaHeater is ideal for food, beverage and other process industries that require hot water on demand with no excuses.

- 450,000 btu/hr to 5.1 mmbtu/hr with temperatures up to 200°F
- 98% energy efficient
- Environmentally safe
- Up to 40% energy savings
- 1-2 year ROI compared with boilers or indirect-contact heating systems
- 6 gpm to 127.5 gpm of pure, potable water
- Dry-fired
- Runs on natural gas or propane
- Small footprint
- Easy maintenance with integrated clean-in-place system
- Pre-piped, pre-wired, factory tested. Shipped in one piece. No reassembly required on most models
- Hot water reservoir



The QuikWater MegaHeater is the number one choice for food, beverage, and other process industries that want to operate smarter, cleaner, and more energy efficient.

# Hot. Clean. Green. That's the QuikWater advantage.

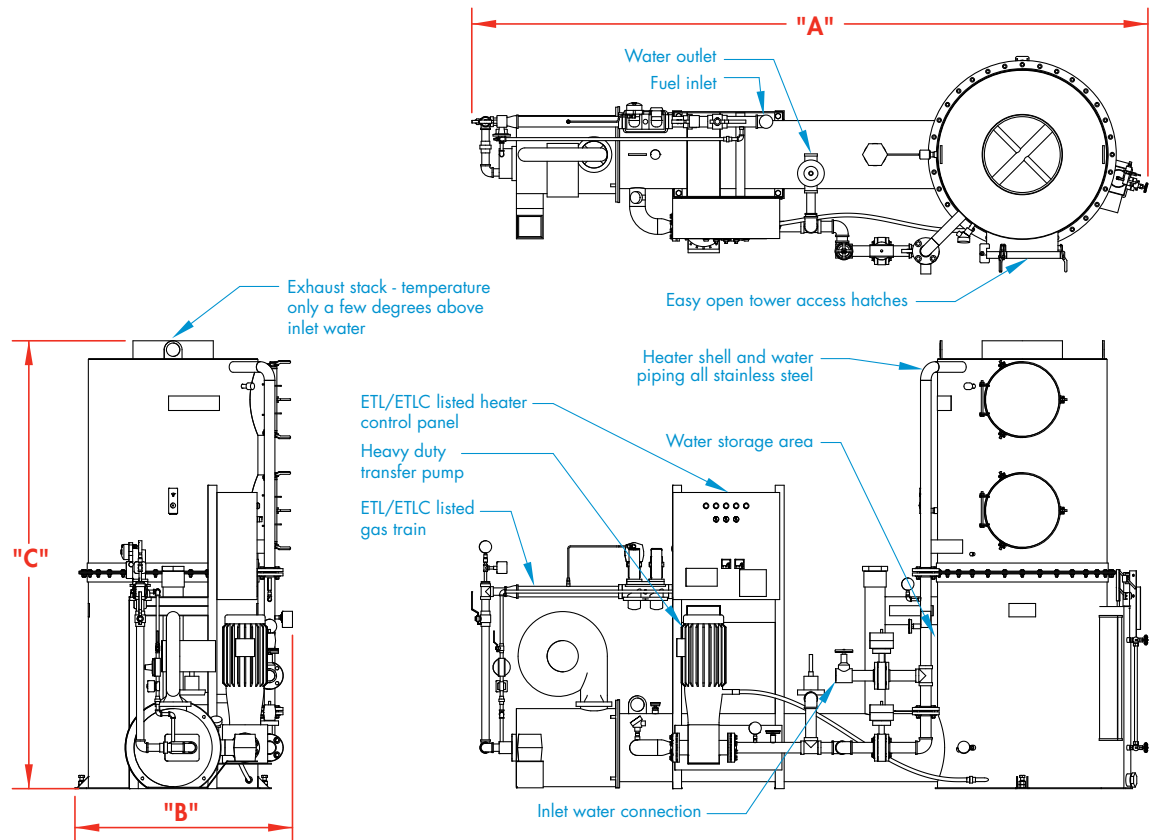
MegaHeater Capacities					
Temp Rise	GPM per Heater Model				
	450	850	1800	3300	5100
80	11.3	21.3	45.0	82.5	127.5
90	10.0	18.9	40.0	73.3	113.3
100	9.0	17.0	36.0	66.0	102.0
110	8.2	15.5	32.7	60.0	92.7
120	7.5	14.2	30.0	55.0	85.0
130	6.9	13.1	27.7	50.8	78.5
140	6.4	12.1	25.7	47.1	72.9
150	6.0	11.3	24.0	44.0	68.0
160	5.6	10.6	22.5	41.3	63.8
DIM "A" – Length	88"	107"	122"	151"	215"
DIM "B" – Width	25"	28"	38"	49"	53"
DIM "C" – Height	84"	100"	100"	100"	100"
Exhaust stack diam.	6"	8"	12"	18"	22"

QuikWater® MegaHeater can be set for a range of BTU needs.

**Heater Calculations:**

**Temp Rise x GPM x 500 = BTU Required**

**Temp Rise = Hot Water Temp – Cold Water Temp**



There's no better time to put QuikWater direct-contact water heating systems to work in your business. Call us today at 918.241.8880 and learn why we are the Number One brand for hot, clean, green water-heating technology.



**918-241-8880**

fax: 918-241-8718 | sales@quikwater.com  
8939 West 21st Street | Sand Springs, OK 74063

**www.quikwater.com**