
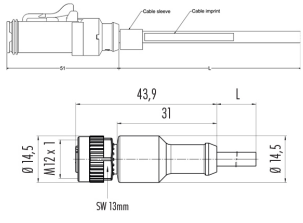
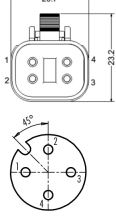


Automation Technology - Data Transmission and Power Supply

Product Description	Contacts: 4, M12-DT cordset, A-coded female to deutsch style female, 2m, black
Area	DT Connectors
Order Number	77-3430-7072-72161-0200

Illustration	Scale Drawing	Contact Arrangement
		
		<ol style="list-style-type: none"> 1. Brown 2. White 3. Blue 4. Black

Technical Data

General Values

Connector Design
 Connector Locking System
 Termination
 Wire Gauge (AWG)
 Upper Limit Temperature
 Lower Limit Temperature

Connecting Cord
 Snap-lock/Bolted
 Moulded on cable
 (18)
 85° C
 -25° C

Electical Values

Rated Current (40 °C)
 Rated Voltage
 Rated Impulse Voltage
 Pollution Degree
 Overvoltage Category
 Insulating Material Group
 EMC Compliance
 Degree of Protection
 Mechanical Operation

4A
 230 v
 2500 v
 3
 II
 I/II
 Not shielded
 IP68
 100 mating cycles

Cable Data

Sheath Material
 Single-Lead Insulation
 Cable Diameter
 Temperature Range, Moving Cable, °C from
 Temperature Range, Moving Cable, °C to
 Temperature Range, Fixed Cable, °C from
 Temperature Range, Fixed Cable, °C to

PUR
 PP
 6.5 mm
 -25° C
 80° C
 -40° C
 80° C

Material

Contact Material
 Contact Plating
 Contact Body Material
 Housing Material

Copper Alloy/Bronze
 Nickel/Gold
 Thermoplastic/PUR
 Thermoplastic/PUR



Automation Technology - Data Transmission and Power Supply

Product Description	Contacts: 4, M12-DT cordset, A-coded female to deutsch style female, 2m, black
Area	DT Connectors
Order Number	77-3430-7072-72161-0200

Security notices

The connectors are designed for use in plant, control system and electrical equipment. The end user is responsible for checking whether the connectors are suitable for use in other applications.

Connectors with degree of protection IP67 and IP68 are not suitable for use under water. When used outdoors, the connectors must be separately protected against corrosion. For the further information about IP degrees of protection refer to 'Technical Support' in the Download Centre.

To lock the cable connector to the equipment connector, the threaded ring is tightened until it is 'finger-tight' (approx. 50 cNm).

