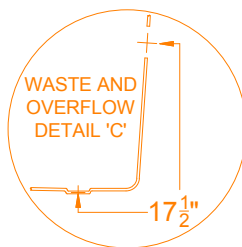
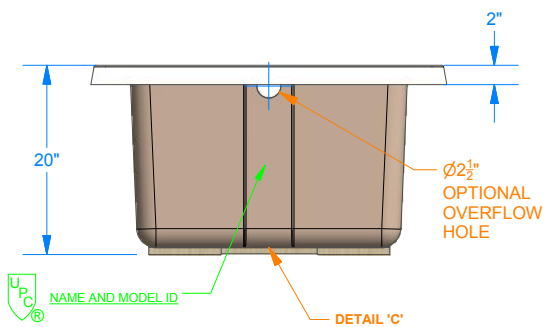
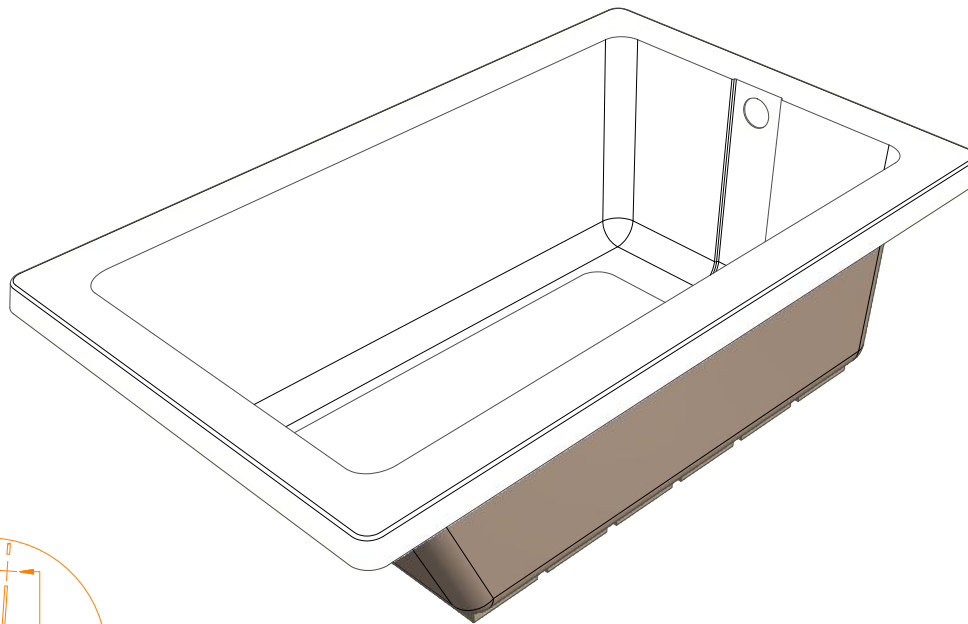


NON-SKID TEXTURED  
BOTTOM SURFACE



**NOTES:**

**THIS UNIT IS IAPMO LISTED.**

**FEATURES:**

- NON-SKID TEXTURED BOTTOM SURFACE.
- GREEN FRIENDLY TUBS AND SHOWERS: UTILIZING ADVANCED CHEMISTRY THAT YIELDS, HIGHER QUALITY, GREATER STRENGTH AND LOWER EMISSIONS.

**TECHNICAL SPECS:**

- ACRYLIC SHEET.
- 1ST LAMINATE .125" NOMINAL THICKNESS.
- BOTTOM OF UNIT IS REINFORCED WITH WOOD TO MEET 300# LOAD TEST.
- 2ND LAMINATE COMPLETELY COVERS ALL AREAS.
- SPECIFICATIONS SUBJECT TO CHANGE WITHOUT NOTICE.



UNIT PART NUMBERS		UNLESS OTHERWISE SPECIFIED TOLERANCES ARE AS FOLLOWS	
RIGHT HAND UNIT ART60-36DI-R	DECIMAL: .XX =+.010 .XXX =+.005	FRACTIONAL: $\pm\frac{1}{16}$ "	
LEFT HAND UNIT ART60-36DI-L		ANGULAR: $\pm\frac{1}{2}$ °	
	CAPACITY / OPERATING LEVEL:		GAL
	CAPACITY / OVERFLOW LEVEL:		GAL
	APPROX. UNIT WEIGHT:		LBS
	APPROX. SHIPPING WEIGHT:		LBS

THE INFORMATION CONTAINED IN THIS DRAWING IS THE SOLE PROPERTY OF FIBER CARE BATHS, INC. ANY REPRODUCTION OR UNAUTHORIZED USE IN PART OR AS A WHOLE WITHOUT THE WRITTEN PERMISSION OF FIBER CARE BATHS, INC. IS STRICTLY PROHIBITED. PRODUCT CONFIGURATION, DIMENSIONS, STANDARD ACCESSORIES, MATERIALS COMPOSITION AND CONSTRUCTION ARE SUBJECT TO CHANGE WITHOUT NOTICE.

**Fiber Care Baths, Inc.**

9832 Yucca Rd.  
Adelanto, CA 92301  
Phone: 760-246-0019  
Fax: 760-246-5189

TITLE:

**ACRYLIC RECTANGULAR TUB, DROP IN**

DRAWN:  
**G. Payton**

SIZE:  
**A**

MODEL #:

**ART60-36DI**

REV  
**B**

DATE: **11/2/2015**

SCALE: **NTS**

STATUS: **IAPMO LISTED**