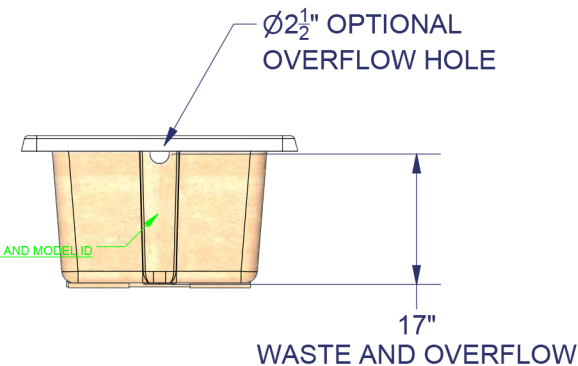
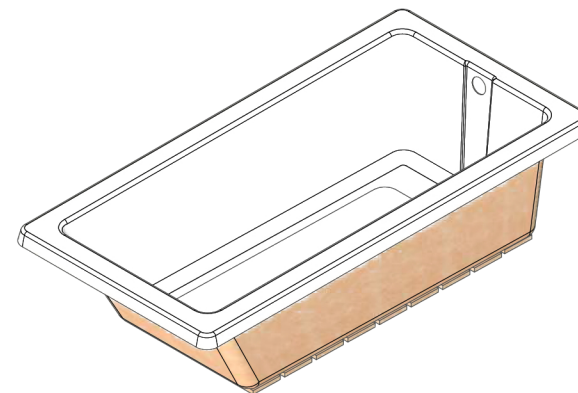


NON-SKID TEXTURED  
BOTTOM SURFACE




NOTES:

FEATURES:

- NON-SKID TEXTURED BOTTOM SURFACE.
- GREEN FRIENDLY TUBS AND SHOWERS: UTILIZING ADVANCED CHEMISTRY THAT YIELDS HIGHER QUALITY, GREATER STRENGTH AND LOWER EMISSIONS.

TECHNICAL SPECS:

- MADE FROM ACRYLIC SHEET
- 1ST LAMINATE .125" NOMINAL THICKNESS
- BOTTOM OF UNIT IS REINFORCED WITH WOOD TO MEET 300# LOAD TEST.
- 2ND LAMINATE COMPLETELY COVERS ALL AREAS.
- SPECIFICATIONS SUBJECT TO CHANGE WITHOUT NOTICE.

UNIT PART NUMBERS		UNLESS OTHERWISE SPECIFIED TOLERANCES ARE AS FOLLOWS		 <b>FIBER CARE BATHS, INC.</b>		9832 Yucca Rd. Adelanto, CA 92301 Phone: 760-246-0019 Fax: 760-246-5189		
RIGHT HAND UNIT	ART72-36DI-20 -R	DECIMAL:	FRACTIONAL: ±1/16"	TITLE: <b>ACRYLIC RECTANGULAR TUB, DROP IN</b>				REV <b>1</b>
LEFT HAND UNIT	ART72-36DI-20 -L	.XX =+.010 .XXX =+.005	ANGULAR: ±1/2°					
<small>THE INFORMATION CONTAINED IN THIS DRAWING IS THE SOLE PROPERTY OF FIBER CARE BATHS, INC.. ANY REPRODUCTION OR UNAUTHORIZED USE IN PART OR AS A WHOLE WITHOUT THE WRITTEN PERMISSION OF FIBER CARE BATHS, INC. IS STRICTLY PROHIBITED. PRODUCT CONFIGURATION, DIMENSIONS, STANDARD ACCESSORIES, MATERIALS COMPOSITION AND CONSTRUCTION ARE SUBJECT TO CHANGE WITHOUT NOTICE.</small>		CAPACITY / OPERATING LEVEL:	GAL	DRAWN:				
		CAPACITY / OVERFLOW LEVEL:	GAL	G. Payton				
		APPROX. UNIT WEIGHT:	LBS	SIZE:	MODEL #:		ART72-36DI-20	
		APPROX. SHIPPING WEIGHT:	LBS	A	DATE: 12/29/2015		SCALE: NTS	STATUS: INTERNAL