

PROJECT: _____	UNIT TAG: _____	QUANTITY: _____
REPRESENTATIVE: _____	TYPE OF SERVICE: _____	DATE: _____
ENGINEER: _____	SUBMITTED BY: _____	DATE: _____
CONTRACTOR: _____	APPROVED BY: _____	DATE: _____
	ORDER NO.: _____	DATE: _____

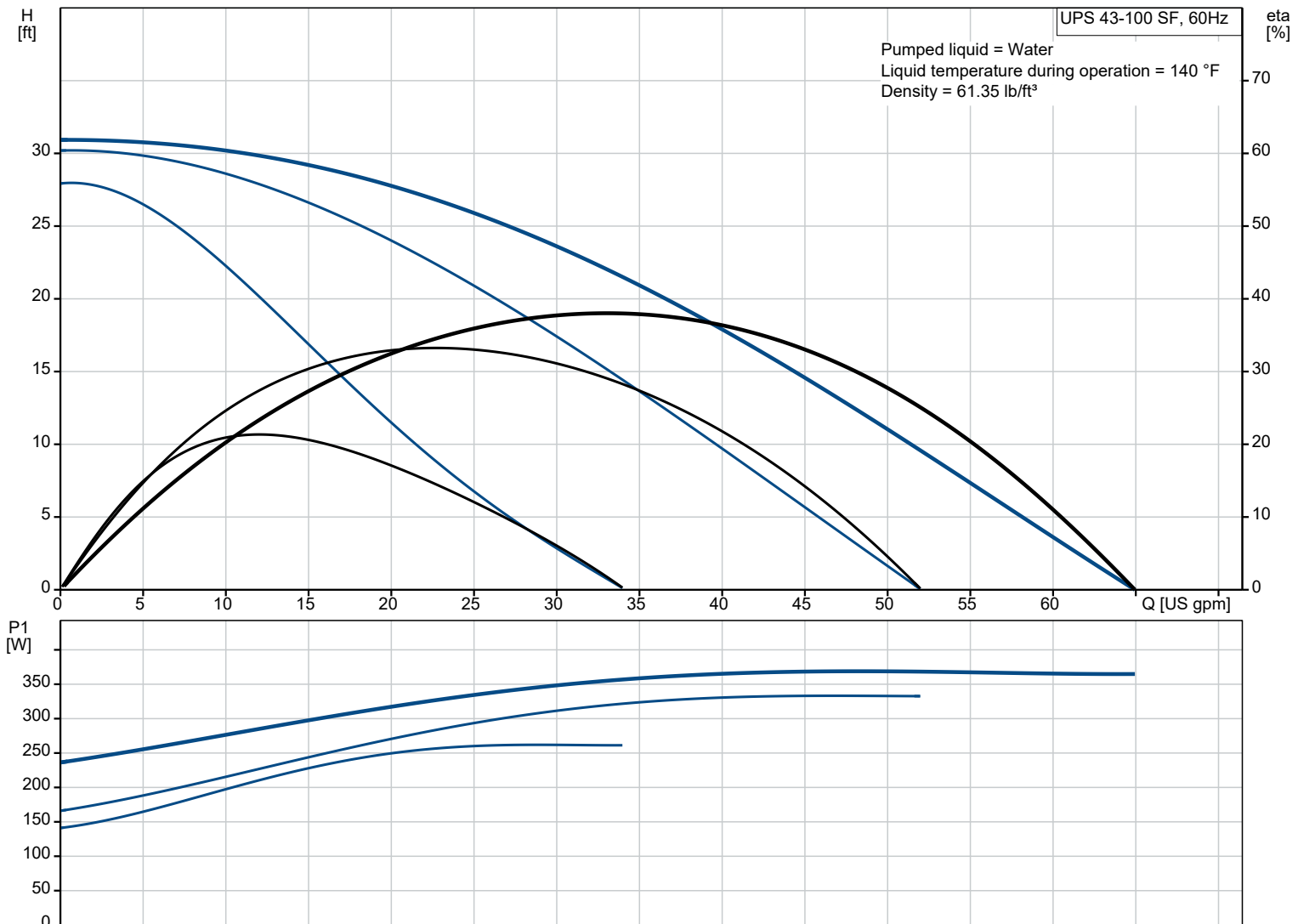


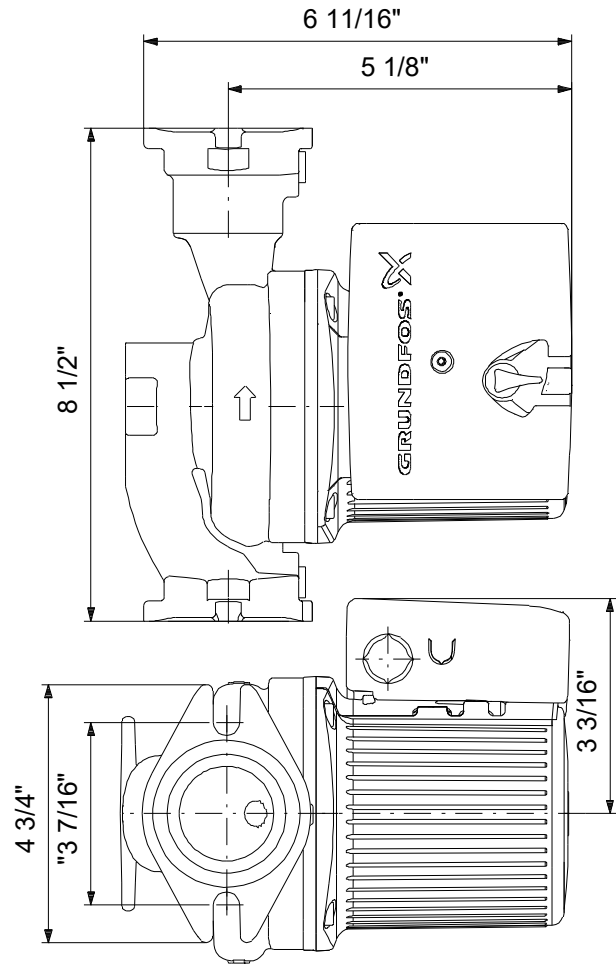
## UPS 43-100 SF

Circulator pumps for domestic hot water applications

Product photo could vary from the actual product

Conditions of Service		Pump Data		Motor Data	
Liquid:	Water	Maximum operating pressure:	145.04 psi	Max. power input:	370 W
Temperature:	140 °F	Liquid temperature range:	32 .. 230 °F	Rated voltage:	115 V
Specific Gravity:	0.985	Maximum ambient temperature:	104 °F	Main frequency:	60 Hz
		Approvals:	ETL, CSA	Insulation class:	H
		Type of connection:	S.S. Flange	Motor protection:	CONTACT
		Flange standard:	USA Oval	Thermal protection:	internal
		Pipe connection:	2 - Bolt Flange		
		Product number:	95906638		





**Materials:**

- Pump housing: Stainless steel
- Pump housing: DIN W.-Nr. 1.4301
- Impeller: Composite, PES

Count	Description
-------	-------------

1	UPS 43-100 SF
---	---------------



Product photo could vary from the actual product

Product No.: [95906638](#)

Grundfos UPS B circulator pumps have a bronze pump housing for drinking water applications while Grundfos UP N have a stainless-steel pump housing. Both variants are recommended for underfloor heating systems as the pumped liquid may often become aerated, causing corrosion in cast iron pump housings.

The pump is of the canned rotor type, i.e. pump and motor form an integral unit without shaft seal and with only two gaskets for sealing. The bearings are lubricated by the pumped liquid. The pump is characterized by:

- Ceramic shaft and radial bearings.  
Carbon axial bearing.  
Stainless steel rotor can and bearing plate.



Company name: Pace Supply

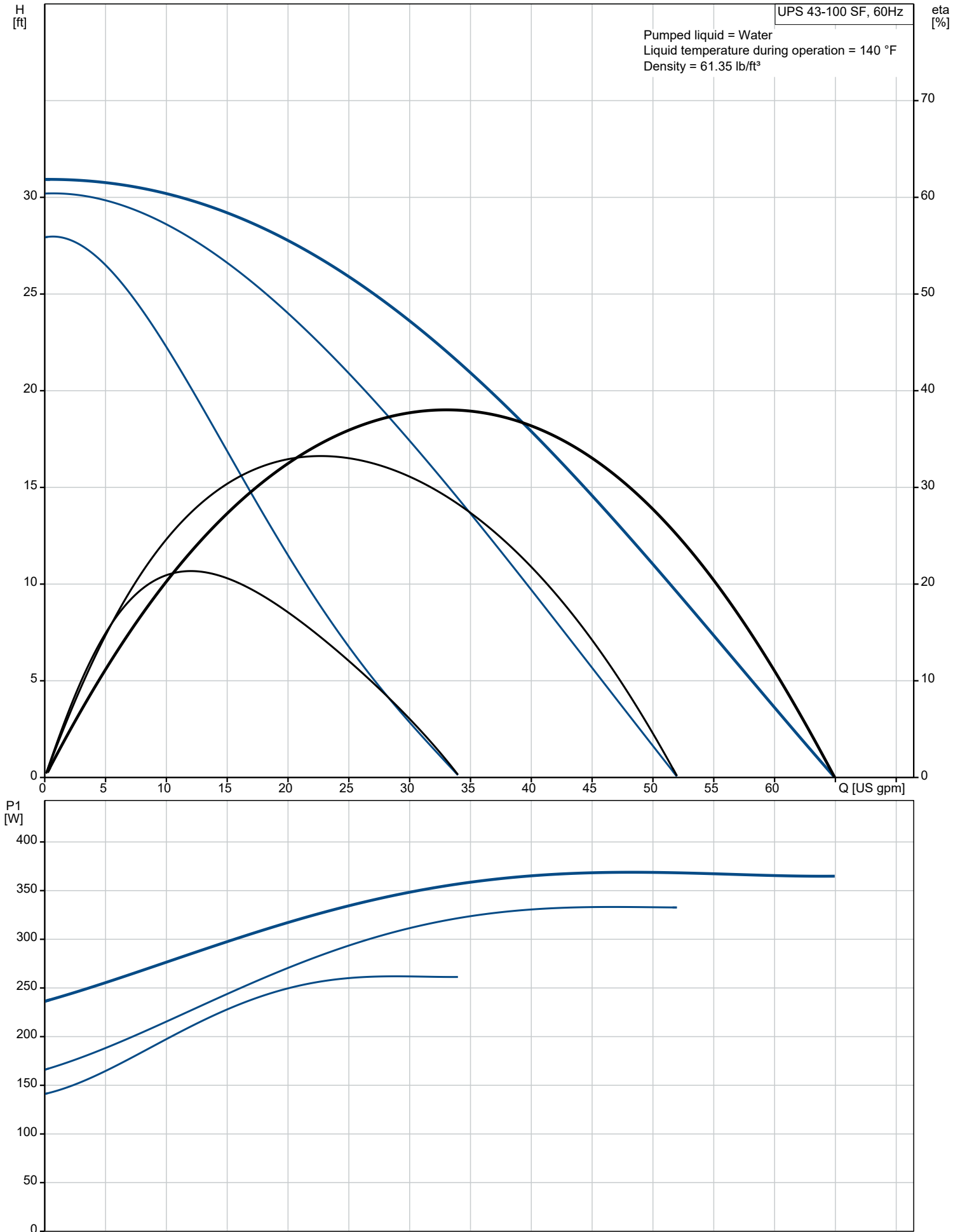
Created by:

Phone:

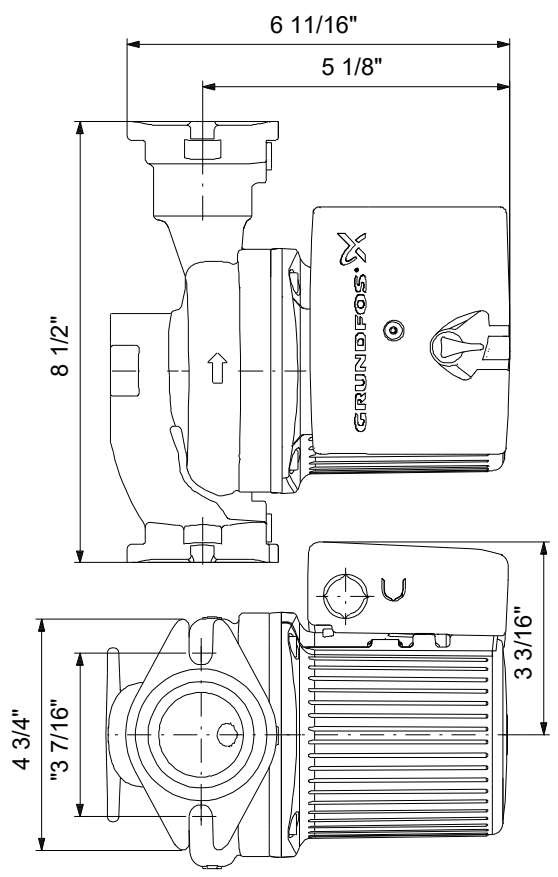
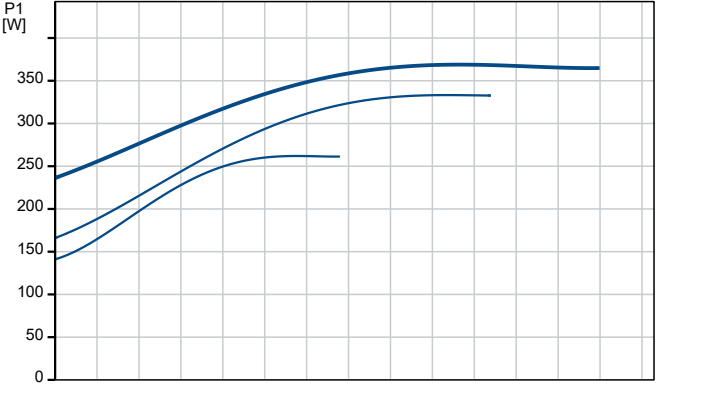
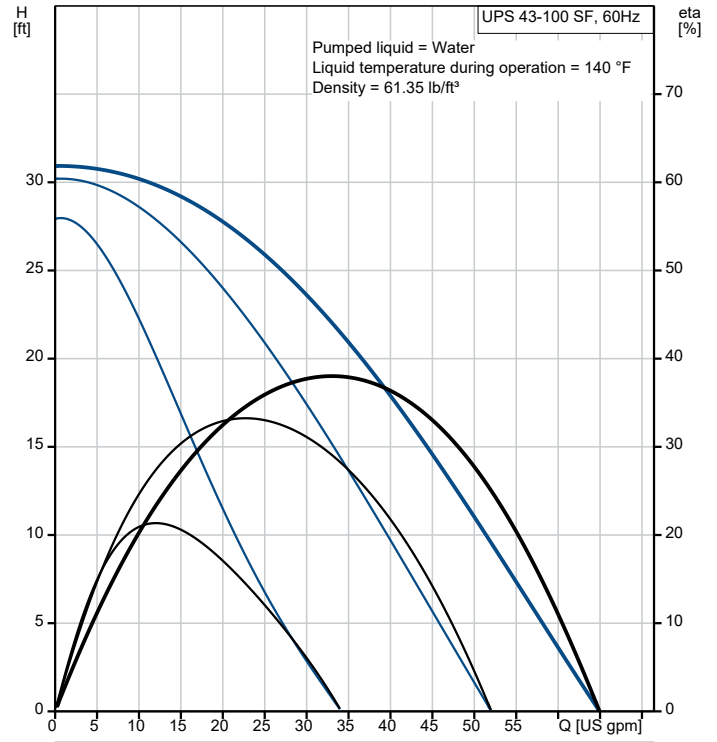
Date:

1/21/2022

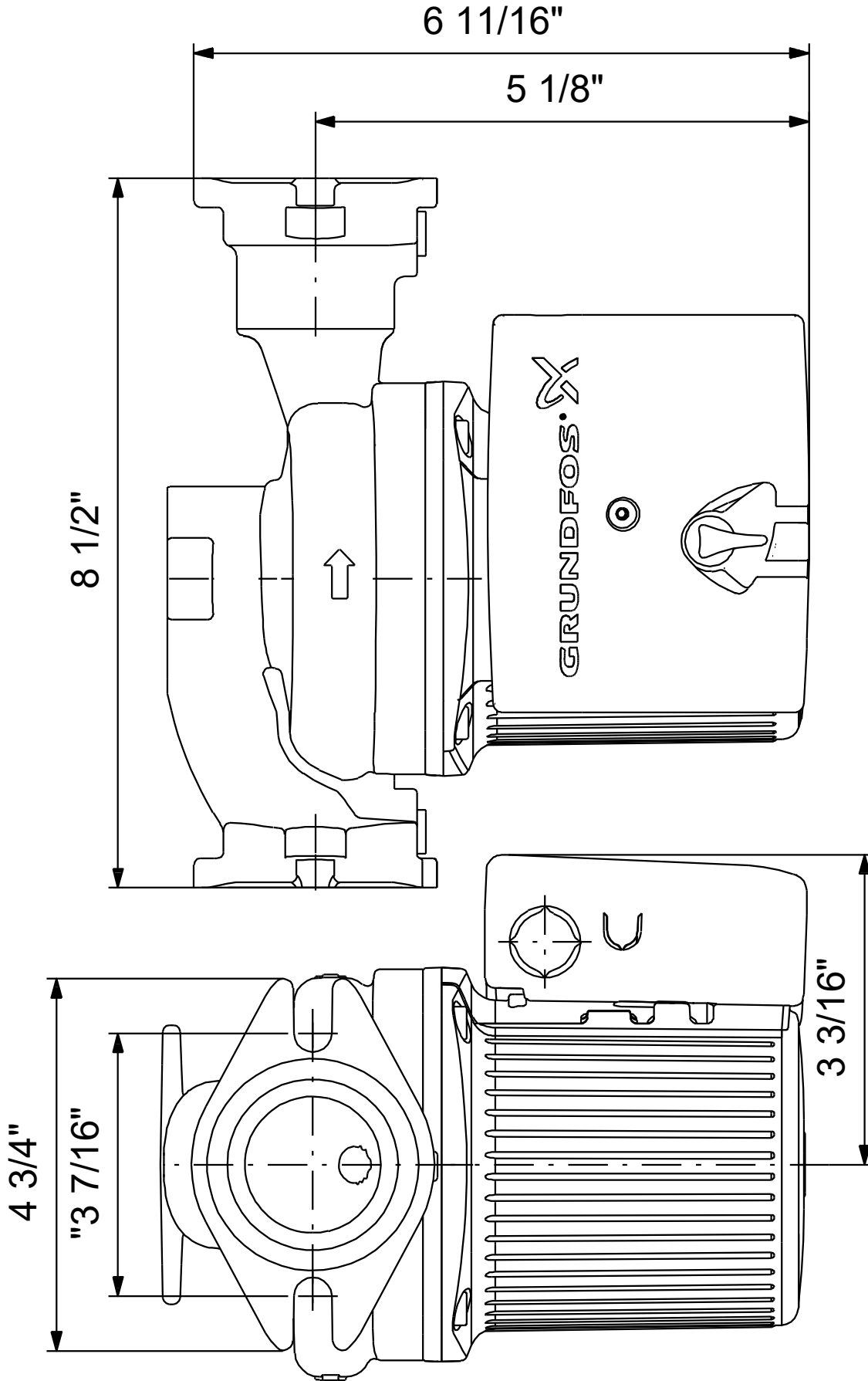
# 95906638 UPS 43-100 SF 60 Hz



Description	Value
<b>General information:</b>	
Product name:	UPS 43-100 SF
Product No.:	95906638
EAN:	5700313291762
Price:	
<b>Technical:</b>	
Speed Number:	3
Max flow:	65 US gpm
Max flow:	65 US gpm
Head max:	30.84 ft
Head max:	30.84 ft
Approvals on nameplate:	ETL, CSA
<b>Materials:</b>	
Pump housing:	Stainless steel
Pump housing:	DIN W.-Nr. 1.4301
Impeller:	Composite, PES
<b>Installation:</b>	
t max amb:	104 °F
Ambient max at 176°F liquid:	176 °F
Maximum operating pressure:	145.04 psi
Flange standard:	USA Oval
Type of connection:	S.S. Flange
Pipe connection:	2 - Bolt Flange
Pressure stage:	PN 10
Port-to-port length:	8 1/2 in
<b>Liquid:</b>	
Pumped liquid:	Water
Liquid temperature range:	32 .. 230 °F
Selected liquid temperature:	140 °F
Density:	61.35 lb/ft³
<b>Electrical data:</b>	
Power input in speed 1:	0.3554 HP
Power input in speed 2:	335 W
Max. power input:	370 W
Main frequency:	60 Hz
Rated voltage:	1 x 115 V
Current in speed 1:	2.5 A
Current in speed 2:	3.1 A
Current in speed 3:	3.5 A
Capacitor size - run:	40 µF/180 V
Number of poles:	2
Insulation class (IEC 85):	H
Built-in motor protection:	CONTACT
Thermal protec:	internal
<b>Controls:</b>	
Pos term box:	9H
<b>Others:</b>	
Gross weight:	17.7 lb



## 95906638 UPS 43-100 SF 60 Hz



Note! All units are in [in] unless otherwise stated.  
Disclaimer: This simplified dimensional drawing does not show all details.