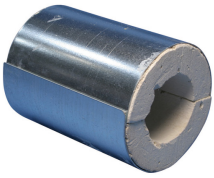
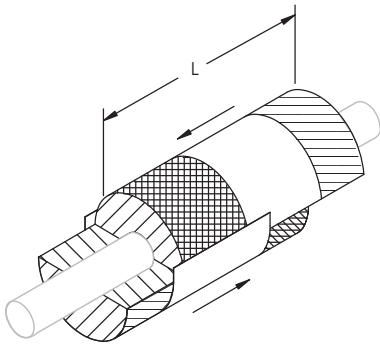


# 126 Insulation Block for Hot Piping – 126030015



- Prevents crushed insulation at the point of support
- For use with hot services



Part Number	126030015
Material	Steel Hydrous Calcium Silicate
Finish	Pregalvanized
Temperature	20 – 1,200 °F
Insulation Thickness	1 1/2"
Pipe Size	3"
Cover Thickness	20 GA
Length (L)	6"
Standard Packaging Quantity	1 pc
UPC	78285638686

A double thickness of sheet metal is recommended on the lower half when used with rollers or when hanger span exceeds 10'.  
140 psi minimum compressive strength. Detailed insulation specifications available on request.

#### WARNING

Pentair products shall be installed and used only as indicated in Pentair's product instruction sheets and training materials. Instruction sheets are available at [erico.pentair.com](http://erico.pentair.com) and from your Pentair customer service representative. Improper installation, misuse, misapplication or other failure to completely follow Pentair's instructions and warnings may cause product malfunction, property damage, serious bodily injury and death and/or void your warranty.

© 2017 Pentair All rights reserved  
Pentair, CADDY, CADWELD, CRITEC, ERICO, ERIFLEX, ERITECH and LENTON are owned by Pentair or its global affiliates.  
All other trademarks are the property of their respective owners. Pentair reserves the right to change specifications without prior notice.

