

Pipe Hangers

Fig. 2 - Adjustable Band Hanger (B-Line B3170)

Fig. 2F - Adjustable Band Hanger Felt Lined for Copper Tubing (B-Line B3170F)



Size Range:

Fig. 2 - 2 1/2" (65mm) thru 6" (150mm) pipe

Fig. 2F - 2 1/2" (65mm) thru 6" (150mm) pipe

Material: Pre-Galvanized Steel

Function: Recommended for the suspension of non-insulated pipe or insulated pipe with B3151 shield. Fig. 2NFPA accommodates the reduced rod schedule of the National Fire Protection Association Pamphlet 13.

Approvals: Factory Mutual Engineering Approved. Underwriters Laboratories Listed. Conforms to Federal Specification WW-H-171E & A-A-1192A Type 10 and Manufacturers Standardization Society ANSI/MSS SP-69 & SP-58, Type 10.

Standard Finish: Pre-Galvanized

Note: Available in Stainless Steel material.

Order By: Part number and finish.



Fig. 2



Fig. 2F

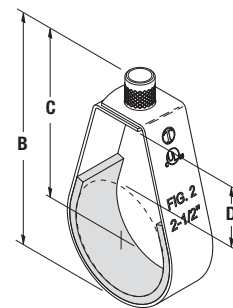
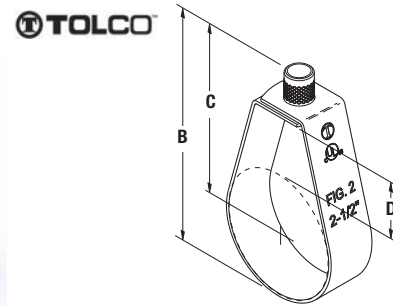


Fig. 2

Nominal Part No.	Pipe Size		Rod Size A	B		C		D		Max. Rec. Load		Approx Wt./100	
	in.	(mm)		in.	(mm)	in.	(mm)	in.	(mm)	lbs.	(kN)	lbs.	(kg)
2-2 1/2	2 1/2"	(65)	1/2"-13 *	5 3/4"	(146.0)	4 1/4"	(107.9)	1 5/8"	(41.3)	600	(2.67)	41	(18.6)
2-3	3"	(75)	1/2"-13 *	6"	(152.4)	4 1/8"	(104.8)	1 1/4"	(31.7)	600	(2.67)	45	(20.4)
2-3 1/2	3 1/2"	(90)	1/2"-13 *	7 3/8"	(187.3)	5 1/4"	(133.3)	2 1/8"	(54.0)	600	(2.67)	52	(23.6)
2-4	4"	(100)	5/8"-11 *	7 3/8"	(187.3)	5"	(127.0)	1 5/8"	(41.3)	1000	(4.45)	59	(27.6)
2-5	5"	(125)	5/8"-11 **	9"	(228.6)	6 1/8"	(155.6)	2 1/4"	(57.1)	1250	(5.56)	97	(44.0)
2-6	6"	(150)	3/4"-10 **	9 3/8"	(238.1)	6 1/2"	(165.1)	1 7/8"	(47.6)	1250	(5.56)	139	(63.0)

Fig. 2F

Nominal Part No.	Pipe Size		Rod Size A	B		C		D		Max. Rec. Load		Approx Wt./100	
	in.	(mm)		in.	(mm)	in.	(mm)	in.	(mm)	lbs.	(kN)	lbs.	(kg)
2F-2 1/2	2 1/2"	(65)	1/2"-13 *	5 3/4"	(146.0)	4 1/4"	(107.9)	1 5/8"	(41.3)	600	(2.67)	41	(18.6)
2F-3	3"	(75)	1/2"-13 *	6"	(152.4)	4 1/8"	(104.8)	1 1/4"	(31.7)	600	(2.67)	45	(20.4)
2F-3 1/2	3 1/2"	(90)	1/2"-13 *	7 3/8"	(187.3)	5 1/4"	(133.3)	2 1/8"	(54.0)	600	(2.67)	52	(23.6)
2F-4	4"	(100)	5/8"-11 *	7 3/8"	(187.3)	5"	(127.0)	1 5/8"	(41.3)	1000	(4.45)	59	(27.6)
2F-5	5"	(125)	5/8"-11 **	9"	(228.6)	6 1/8"	(155.6)	2 1/4"	(57.1)	1250	(5.56)	97	(44.0)
2F-6	6"	(150)	3/4"-10 **	9 3/8"	(238.1)	6 1/2"	(165.1)	1 7/8"	(47.6)	1250	(5.56)	139	(63.0)

* 3/8" nut is used when requested.

** 1/2" nut is used when requested.

All dimensions in charts and on drawings are in inches. Dimensions shown in parentheses are in millimeters unless otherwise specified.