

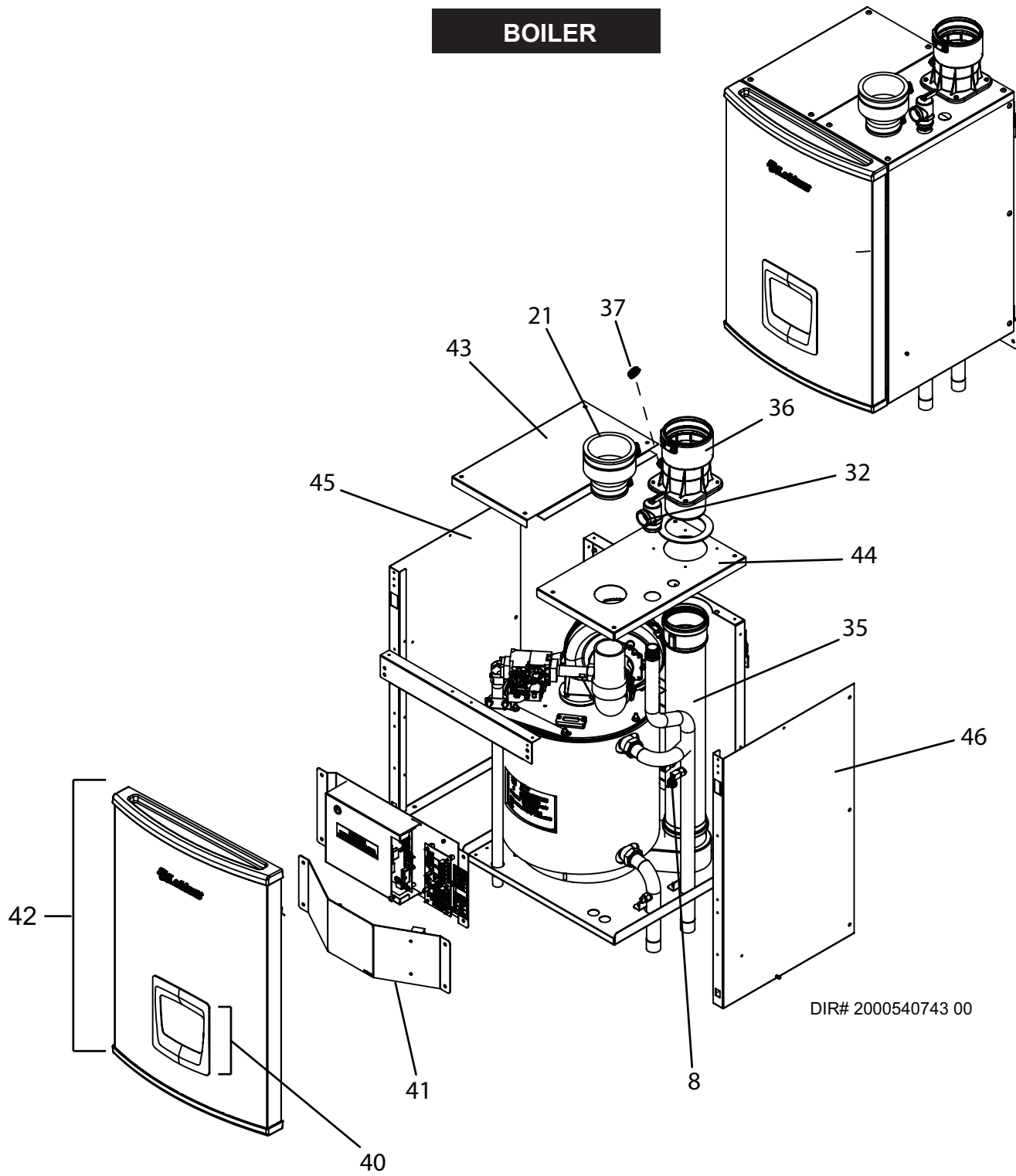


Replacement Parts List

PARTS & SERVICE DEPARTMENT
Nashville, Tennessee
877-554-5544 • Fax: 615-882-2918
parts_team@lochinvar.com
www.lochinvar.com

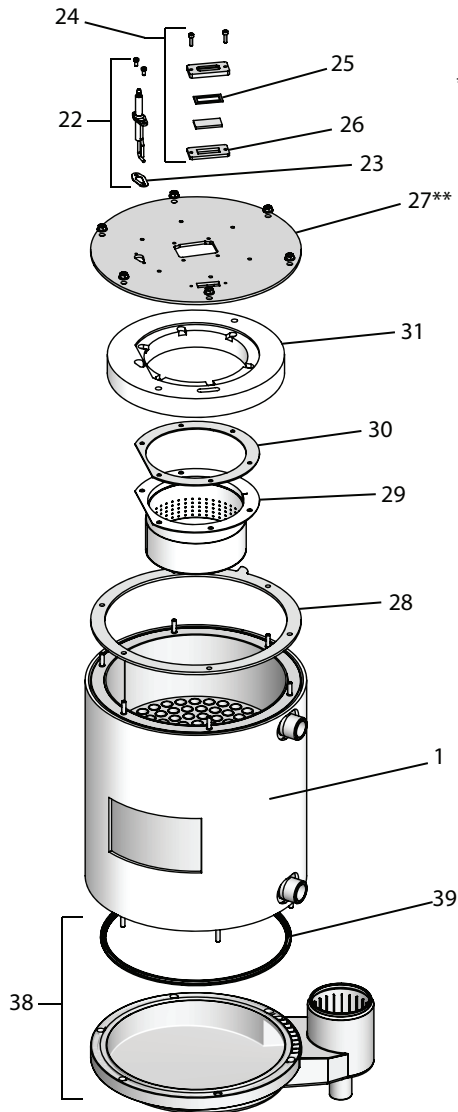
Epic Boiler & Combi
EPB 080 - 199 (N,L)
EPC 110 - 199 (N,L)
Series 100 - 101 & 110 - 111

BOILER



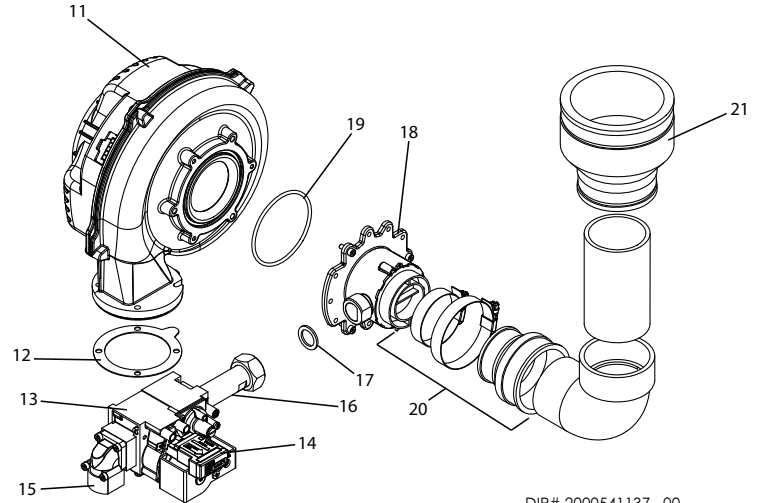
DIR# 2000540743 00

HEAT EXCHANGER



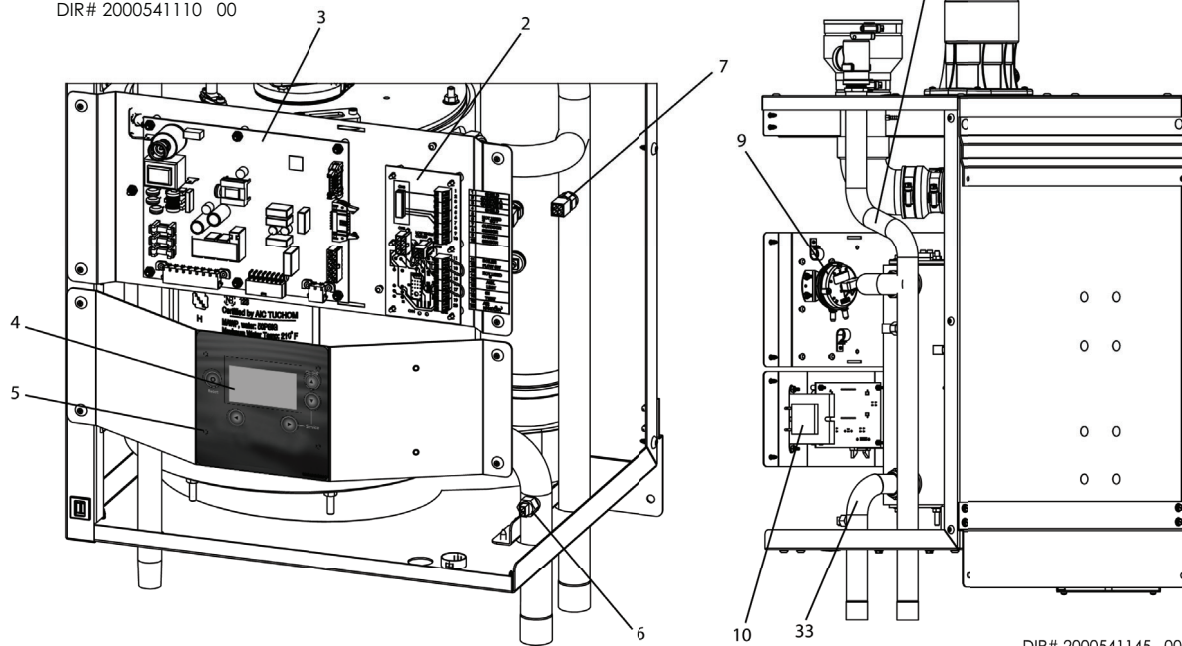
** The Heat Exchanger Top Plate Assembly includes item numbers 12, 17, 23, 25, 26, 27, 28, 30, and 31.

GAS TRAIN



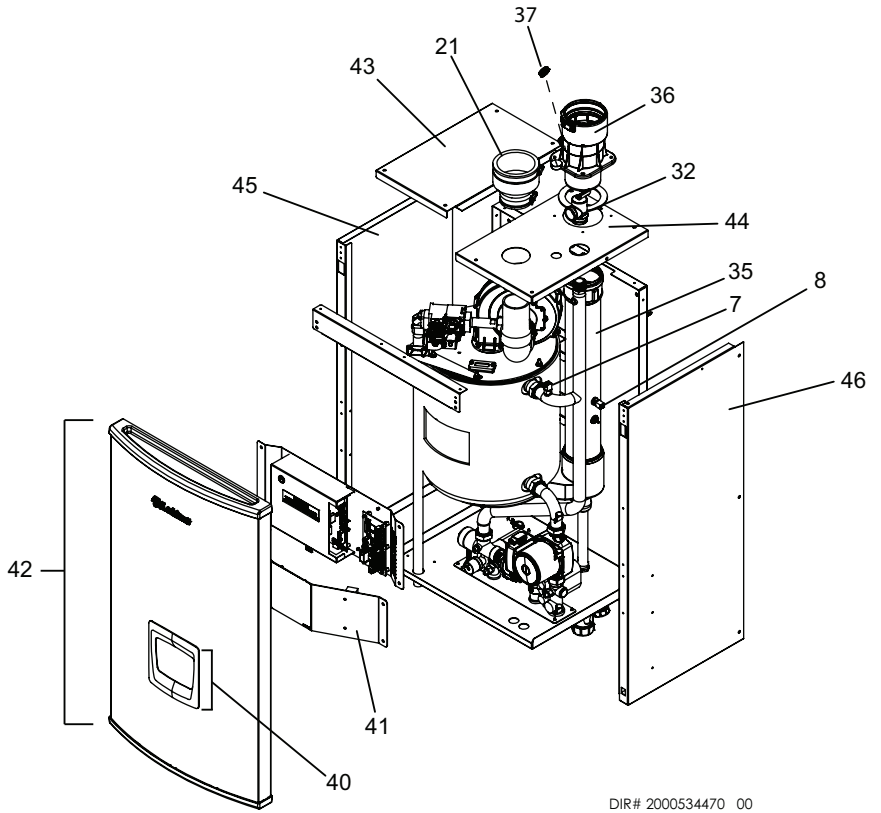
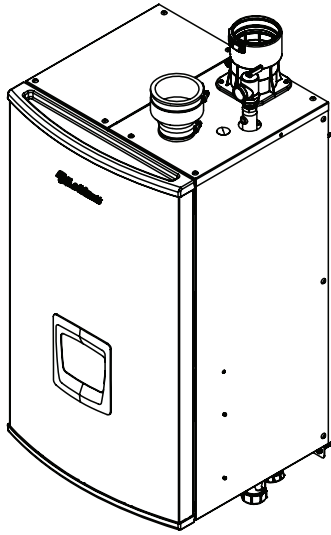
DIR# 2000541137 00

BOILER CONTROLS

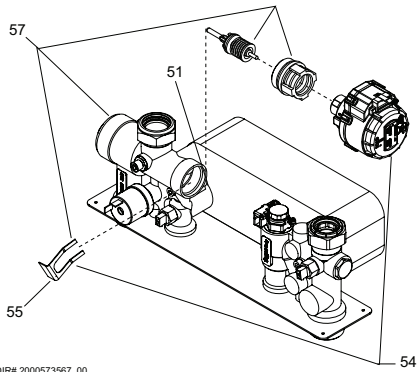


DIR# 2000541145 00

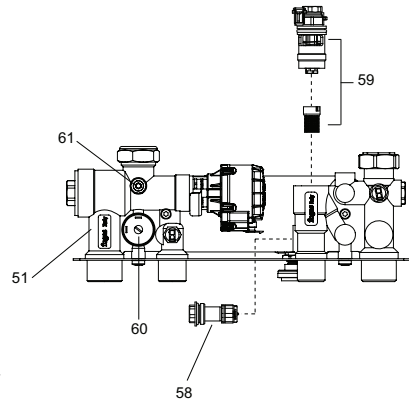
COMBI



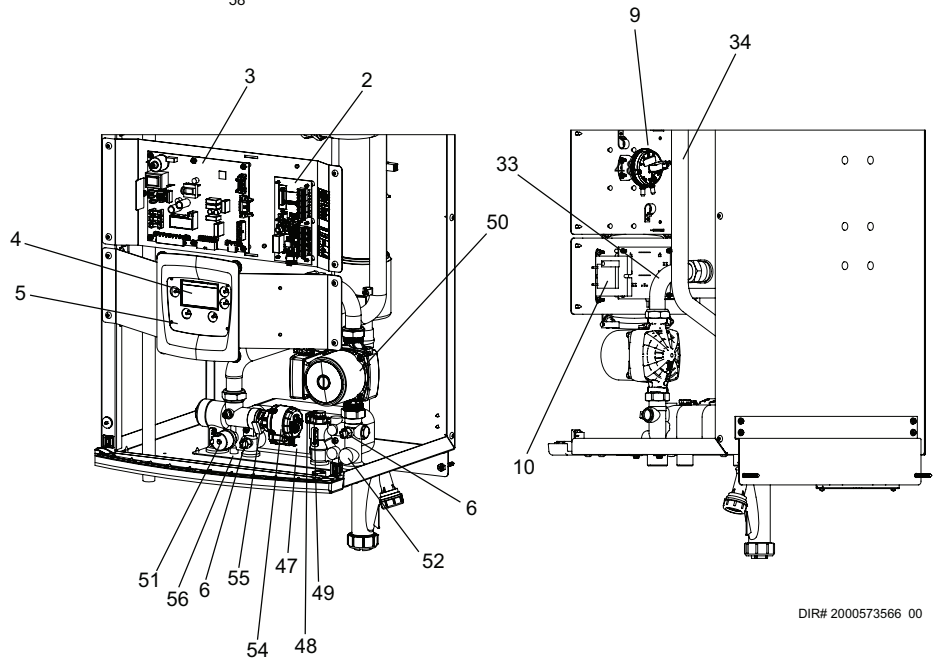
DIR# 2000534470 00



DIR# 2000573567 00



COMBI CONTROLS



DIR# 2000573566 00

ITEM NO.	PART NO.	DESCRIPTION	MODEL
HEAT EXCHANGER ASSEMBLIES			
1	100275478	HEAT EXCHANGER ASSEMBLY	EPC 110
1	100275479	HEAT EXCHANGER ASSEMBLY	EPC 150
1	100275480	HEAT EXCHANGER ASSEMBLY	EPC 199
1	100284352	HEAT EXCHANGER ASSEMBLY	EPB 080
1	100275478	HEAT EXCHANGER ASSEMBLY	EPB 110
1	100275479	HEAT EXCHANGER ASSEMBLY	EPB 150
1	100275480	HEAT EXCHANGER ASSEMBLY	EPB 199
CONTROLS			
2	100275502*	CONNECTION BOARD	EPC 110 - 199
2	100284350*	CONNECTION BOARD	EPB 080 - 199
3	100275507*	CONTROL BOARD, MAIN	EPC 110
3	100275508*	CONTROL BOARD, MAIN	EPC 150
3	100275510*	CONTROL BOARD, MAIN	EPC 199
3	100275522	CONTROL BOARD, MAIN - HIGH ALTITUDE	EPC 110
3	100275523	CONTROL BOARD, MAIN - HIGH ALTITUDE	EPC 150
3	100275524	CONTROL BOARD, MAIN - HIGH ALTITUDE	EPC 199
3	100284347*	CONTROL BOARD, MAIN	EPB 080 N
3	100339969	CONTROL BOARD, MAIN	EPB 080 L
3	100284346*	CONTROL BOARD, MAIN	EPB 110
3	100284345*	CONTROL BOARD, MAIN	EPB 150
3	100284344*	CONTROL BOARD, MAIN	EPB 199
3	100284342	CONTROL BOARD, MAIN - HIGH ALTITUDE	EPB 080 N
3	100339970	CONTROL BOARD, MAIN - HIGH ALTITUDE	EPB 080 L
3	100284341	CONTROL BOARD, MAIN - HIGH ALTITUDE	EPB 110
3	100284330	CONTROL BOARD, MAIN - HIGH ALTITUDE	EPB 150
3	100284328	CONTROL BOARD, MAIN - HIGH ALTITUDE	EPB 199
4	100275525	CONTROL BOARD, USER INTERFACE	ALL
5	100275526	LABEL, CONTROL OVERLAY	ALL
6	100208560*	SENSOR, INLET / DHW	ALL
7	100208547*	SENSOR, OUTLET / HIGH LIMIT	ALL
8	100275527*	SENSOR, FLUE W/ GROMMET	ALL
-	100157742	SENSOR, OUTDOOR AIR	ALL
9	100275596*	SWITCH, PRESSURE	ALL
10	100208230	TRANSFORMER - 24V, 40VA	ALL
GAS TRAIN			
11	100266999*	FAN ASSEMBLY W/ GASKET	ALL
11	100318771*	FAN ASSEMBLY W/ GASKET	EPB / EPC 199
12	100208101*	GASKET, FAN	ALL
13	100275532	GAS VALVE ASSEMBLY W/ GASKET	ALL
14	100275533	SWITCH, GAS VALVE - ON/OFF	ALL
15	100275534	FLANGE, GAS VALVE W/ GASKET	ALL
16	100276451	ADAPTER, GAS VALVE W/ GASKET	EPB 080 - 110 / EPC 110
16	100275537	ADAPTER, GAS VALVE W/ GASKET	EPB / EPC 150
16	100276430	ADAPTER, GAS VALVE W/ GASKET	EPB / EPC 199
17	100275538	GASKET, GAS VALVE ADAPTER	ALL
18	100275539	VENTURI, NAT.	EPB 080 - 110 / EPC 110 N
18	100284322	VENTURI, NAT.	EPB / EPC 150 N
18	100275540	VENTURI, NAT.	EPB / EPC 199
18	100339889	LP CONVERSION KIT	EPB 080 L
18	100275546	LP CONVERSION KIT	EPB / EPC 110 L
18	100275548	LP CONVERSION KIT	EPB / EPC 150 L
18	100275549	LP CONVERSION KIT	EPB / EPC 199 L
18	100339957	LP CONVERSION KIT - HIGH ALTITUDE	EPB 080 L
19	100284309*	GASKET, VENTURI O-RING	EPB 080-150 / EPC 110-150
19	100208761*	GASKET, VENTURI O-RING	EPB / EPC 199
20	100275550	COUPLING, VENTURI W/ CLAMPS	ALL
21	100275561	COUPLING, AIR INLET	ALL
PILOT AND BURNER ASSEMBLIES			
22	100275562*	KIT, IGNITOR W/ GASKET & SCREWS	ALL
PLEASE HAVE MODEL AND SERIAL NUMBER WHEN ORDERING PARTS *ITEMS DENOTE SUGGESTED INVENTORY PARTS			

ITEM NO.	PART NO.	DESCRIPTION	MODEL
PILOT AND BURNER ASSEMBLIES (CONTINUED)			
23	100208086	GASKET, IGNITOR	ALL
24	100189215	KIT, SIGHT GLASS W/ GASKETS	ALL
25	100275564	GASKET, SIGHT GLASS, WHITE	ALL
26	100274751	GASKET, SIGHT GLASS, RED	ALL
27	100284307**	HEAT EXCHANGER TOP PLATE ASSEMBLY	EPB 080
27	100275567**	HEAT EXCHANGER TOP PLATE ASSEMBLY	EPB / EPC 110
27	100275568**	HEAT EXCHANGER TOP PLATE ASSEMBLY	EPB / EPC 150
27	100275569**	HEAT EXCHANGER TOP PLATE ASSEMBLY	EPB / EPC 199
28	100284305	GASKET, HEAT EXCHANGER TOP PLATE	EPB 080
28	100275572	GASKET, HEAT EXCHANGER TOP PLATE	EPB / EPC 110
28	100275573	GASKET, HEAT EXCHANGER TOP PLATE	EPB / EPC 150
28	100275575	GASKET, HEAT EXCHANGER TOP PLATE	EPB / EPC 199
29	100284303*	BURNER W/ GASKET	EPB 080
29	100275577*	BURNER W/ GASKET	EPB / EPC 110
29	100275578*	BURNER W/ GASKET	EPB / EPC 150
29	100275580*	BURNER W/ GASKET	EPB / EPC 199
30	100284302	GASKET, BURNER	EPB 080
30	100275582	GASKET, BURNER	EPB / EPC 110
30	100275583	GASKET, BURNER	EPB / EPC 150 - 199
31	100284290	INSULATION, TOP PLATE	EPB 080
31	100275584	INSULATION, TOP PLATE	EPB / EPC 110
31	100275585	INSULATION, TOP PLATE	EPB / EPC 150
31	100275586	INSULATION, TOP PLATE	EPB / EPC 199
MISCELLANEOUS			
32	100275587	RELIEF VALVE, 50 PSI	ALL EPC
32	100284289	RELIEF VALVE, 30 PSI	ALL EPB
33	100284288	WATER TUBE, INLET	EPB 080 - 150
33	100275588	WATER TUBE, INLET - COMBI	EPC 110 - 199
34	100284287	WATER TUBE, OUTLET	EPB 080 - 150
34	100275589	WATER TUBE, OUTLET - COMBI	EPC 110 - 199
-	100319654	GASKET SET, WATER TUBE	ALL
-	100284286*	CONDENSATE TRAP ASSEMBLY	ALL
35	100275599	FLUE CONNECTION PIPE, 3" CPVC	ALL
36	100275600	FLUE ADAPTER, 3" PVC W/ ANALYZER PORT	ALL
-	100285280	GASKET, FLUE ADAPTER, 80 MM	ALL
-	100284240	SHUTTER, AIR - LP	EPB 080 L
-	100284239	SHUTTER, AIR - LP	EPB / EPC 110 L
-	100284238	SHUTTER, AIR - LP (PRIOR TO SERIAL #1837)	EPB / EPC 150 L
-	100309807	SHUTTER, AIR - LP (BEGINNING SERIAL #1837)	EPB / EPC 150 L
-	100284236	HARNESS, UNIT	EPB 080 - 199
-	100284237	SHUTTER, AIR (LP ONLY)	EPB / EPC 199 L
-	100275616	HARNESS, MAIN UNIT	EPC 110 - 199
-	100275604	HARNESS, POWER - COMBI	EPC 110 - 199
-	100284235	HARNESS, POWER	EPB 080 - 199
-	100284234	HARNESS, SPARK IGNITOR	ALL
-	100275606	HARNESS, CONNECTION BOARD	ALL
-	100312423	RIBBON CABLE	ALL
-	100286123	OUTLET, LWCO, AIR VENT AUTO	ALL
37	100278305	COMBUSTION ANALYZER PORT COVER	ALL
38	100342701	FLUE COLLECTOR W/ GASKET	EPB 080
38	100341395	FLUE COLLECTOR W/ GASKET	EPB / EPC 110
38	100341396	FLUE COLLECTOR W/ GASKET	EPB / EPC 150
38	100341397	FLUE COLLECTOR W/ GASKET	EPB / EPC 199
39	100342702	GASKET, FLUE COLLECTOR	EPB 080
39	100341398	GASKET, FLUE COLLECTOR	EPB / EPC 110

PLEASE HAVE MODEL AND SERIAL NUMBER WHEN ORDERING PARTS
***ITEMS DENOTE SUGGESTED INVENTORY PARTS**

ITEM NO.	PART NO.	DESCRIPTION	MODEL
MISCELLANEOUS (CONTINUED)			
39	100341399	GASKET, FLUE COLLECTOR	EPB / EPC 150
39	100341400	GASKET, FLUE COLLECTOR	EPB / EPC 199
JACKET ASSEMBLIES			
40	100275609	KIT, DISPLAY BEZEL W/ CLIPS	ALL
41	100275610	KIT, BEZEL BRACKET W/ CONTROL OVERLAY LABEL	EPB 080 - 199 / EPC 110
41	100275631	KIT, BEZEL BRACKET W/ CONTROL OVERLAY LABEL	EPC 150 - 199
42	100284105	JACKET, OUTER FRONT DOOR ASSEMBLY	ALL
42	100275637	JACKET, OUTER FRONT DOOR ASSEMBLY	EPC 110
42	100275638	JACKET, OUTER FRONT DOOR ASSEMBLY	EPC 150 - 199
-	100284114	JACKET, OUTER TOP FRONT	EPB 080
-	100284113	JACKET, OUTER TOP FRONT	EPB 110
-	100275632	JACKET, OUTER TOP FRONT	EPC 110
-	100284111	JACKET, OUTER TOP BACK	EPB 080
-	100284110	JACKET, OUTER TOP BACK	EPB 110
43	100284109	JACKET, OUTER TOP - LEFT	EPB 150 - 199
43	100275633	JACKET, OUTER TOP - LEFT	EPC 150 - 199
44	100284107	JACKET, OUTER TOP, RIGHT	EPB 150
44	100284106	JACKET, OUTER TOP, RIGHT	EPB 199
44	100275634	JACKET, OUTER TOP - RIGHT	EPC 150
44	100275635	JACKET, OUTER TOP - RIGHT	EPC 199
45	100284104	JACKET, OUTER LEFT SIDE	EPB 080
45	100284103	JACKET, OUTER LEFT SIDE	EPB 110 - 150
45	100275639	JACKET, OUTER LEFT SIDE	EPC 110 - 199
46	100275640	JACKET, OUTER RIGHT SIDE	EPC 110 - 199
46	100284102	JACKET, OUTER RIGHT SIDE	EPB 080
46	100284101	JACKET, OUTER RIGHT SIDE	EPB 110 - 199
COMBI WATERSET COMPONENTS			
47	100275501	HEAT EXCHANGER ASSEMBLY, BRAZED PLATE	EPC 110 - 199
48	100275528*	SENSOR, FLOW	EPC 110 - 199
49	100278304*	SWITCH, FLOW W/ GREASE COMPOUND	EPC 110 - 199
50	100275607*	PUMP ASSEMBLY W/ GASKETS	EPC 110 - 199
51	100318269	FLOW GROUP W/ GASKETS, OUTLET PIPE, UNIT HARNESS (PRIOR TO SERIAL #1919)	EPC 110 - 199
51	100318322	FLOW GROUP W/ GASKETS (BEGINNING SERIAL #1919)	EPC 110 - 199
52	100275592	KIT, RETURN GROUP W/ GASKETS	EPC 110 - 199
53	100275593	GASKET, HEX TO FLOW GROUP	EPC 110 - 199
54	100275594	DIVERTER MOTOR W/ CLIP	EPC 110 - 199
55	100276429	CLIP, DIVERTER MOTOR	EPC 110 - 199
-	100275598	HOSE, CONDENSATE TRAP	EPC 110 - 199
56	100276452	MOUNTING PLATE, WATERSET	EPC 110 - 199
57	100278302	DIVERTER MOTOR ASSEMBLY	EPC 110 - 199
58	100278303	BYPASS ASSEMBLY	EPC 110 - 199
59	100278304	SWITCH, FLOW W/ GREASE COMPOUND (EXPLODED VIEW)	EPC 110 - 199
60	100318326	WATER PRESSURE SWITCH	EPC 110 - 199
61	100318328	PLUG W/ O-RING	EPC 110 - 199

PLEASE HAVE MODEL AND SERIAL NUMBER WHEN ORDERING PARTS
*ITEMS DENOTE SUGGESTED INVENTORY PARTS

Notes

