



e-GS Xtreme™ CBM

60 HZ, 4" SUBMERSIBLE PUMPS



FEATURES

Field Proven Design: The GS Xtreme features super strong construction due to the welded casing joints at both ends. The proprietary engineered polymer bearings have been field proven with great success in some of the toughest submersible pump applications on the planet - coalbed methane extraction. They are the deepest set pumps we build, available up to 10 HP in many models. Capable of pumping over 1600' TDH.

Powered for Continuous Operation: All ratings are within the working limits of the motor as recommended by the motor manufacturer. Pump can be operated continuously without damage to the motor.

Sand Handling Design: Our face clearance, floating impeller stack has proven itself for over 50 years as a superior sand handling, durable pump design.

Stainless Steel Metal Parts: AISI types 302, 303 and 304 are corrosion resistant, non-toxic and non-leaching.

FDA Compliant Non-Metallic Parts: Impellers, diffusers and bearing spiders are constructed of glass filled engineered composites. They are corrosion resistant and non-toxic.

Discharge Head: Cast stainless steel discharge head features built-in safety loops and an upthrust limiting stud which is factory set to prevent the rotating assembly from upthrusting. These pumps require a separate field installed external check valve to prevent backflow.

"GS" SERIES MATERIALS OF CONSTRUCTION

| Part Name | Material |
|------------------------------|-----------------------------------|
| Discharge Head | AISI 303 SS |
| Bearing Spider - Upper | Glass Filled Engineered Composite |
| Bearing | Proprietary Engineered Composite |
| Klipring | AISI 301 SS |
| Diffuser | Lexan (Noryl*) |
| Impeller | Noryl |
| Bowl | AISI 304 SS |
| Intermediate Sleeve* | AISI 304 SS, Powder Metal |
| Intermediate Shaft Coupling* | AISI 304 SS, Powder Metal |
| Intermediate Bearing Spider* | Glass Filled Engineered Composite |
| Intermediate Bearing Spider* | AISI 303 SS |
| Shim | AISI 304 SS |
| Screws - Cable Guard | AISI 304 SS |
| Motor Adapter | AISI 303 SS |
| Casing | AISI 304 SS |
| Shaft (up to 3 HP) | |
| Shaft (5 HP and larger) | 17/4 PH |
| Coupling | AISI 304 SS, Powder Metal |
| Cable Guard | AISI 304 SS |
| Suction Screen | AISI 304 SS |

* Used on models 35GS, 45GS, 65GS and 85GS

Bowls: Stainless steel for strength and abrasive resistance.

Check Valve: Not supplied, order separately, pumps have 2" NPT discharge threads.

Stainless Steel Casing: Polished stainless steel is strong, attractive and corrosion resistant.

Hex Shaft Design: Six sided shafts for positive impeller drive.

Shaft Coupling: Exposed for ease of field alignment to motor shaft and to check pump rotation.

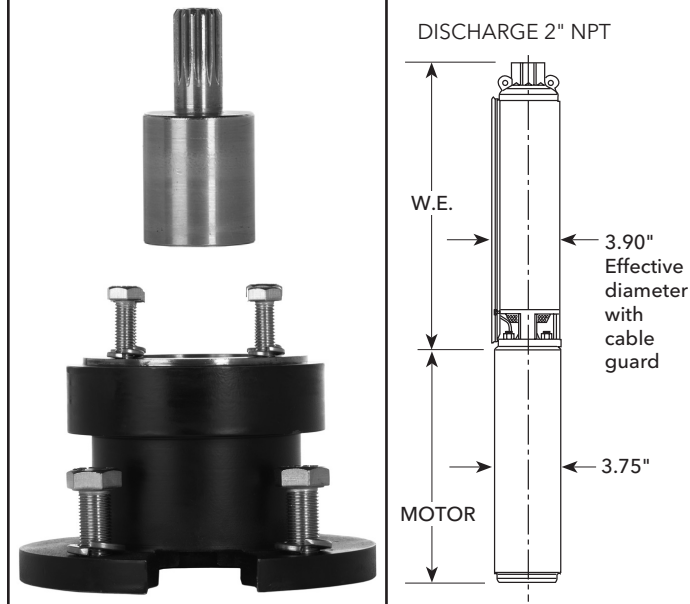
Bearings: Proprietary engineered polymer bearing material is a super strong, abrasion and heat resistant design.

MODELS AND SPECIFICATIONS

| Model | Flow Range GPM | HP Range | Best Eff. GPM | Discharge Connection | Minimum Well Size |
|-------|----------------|----------|---------------|----------------------|-------------------|
| 5GS | 1.2 - 7.5 | ½ - 3 | 5 | 2" | 4" |
| 7GS | 1.5 - 10 | ½ - 5 | 7 | 2" | 4" |
| 10GS | 3 - 16 | 1 - 5 | 10 | 2" | 4" |
| 18GS | 6 - 28 | 1 - 10 | 18 | 2" | 4" |
| 25GS | 8 - 33 | 1 - 10 | 25 | 2" | 4" |
| 35GS | 10 - 50 | 1 - 10 | 35 | 2" | 4" |
| 45GS | 20 - 65 | 1½ - 10 | 45 | 2" | 4" |
| 65GS | 20 - 80 | 1½ - 10 | 65 | 2" | 4" |
| 85GS | 40 - 100 | 3 - 10 | 85 | 2" | 4" |

Rotation on all units is counterclockwise when viewed from pump discharge end.

An optional 4" x 6" Adapter - Part No. **ADAPT46** is available for installations where a 6" motor is desired. The kit contains a 4" x 6" adapter, a 4" to 6" splined shaft extension and required bolts.



DIMENSIONS AND WEIGHTS

| Model | HP | Stages | Length (W.E.) | W.E. Weight (lbs.) |
|------------|----|--------|---------------|--------------------|
| 5GS05CBM | ½ | 12 | 14.8 | 9 |
| 5GS07CBM | ¾ | 15 | 16.8 | 10 |
| 5GS10CBM | 1 | 20 | 20.0 | 12 |
| 5GS15CBM | 1½ | 26 | 25.3 | 15 |
| 5GS20CBM | 2 | 33 | 30.1 | 19 |
| 5GS30CBM | 3 | 46 | 42.7 | 25 |
| 7GS05CBM | ½ | 10 | 13.3 | 8 |
| 7GS07CBM | ¾ | 13 | 15.4 | 10 |
| 7GS10CBM | 1 | 17 | 18.3 | 11 |
| 7GS15CBM | 1½ | 22 | 21.9 | 13 |
| 7GS20CBM | 2 | 27 | 26.6 | 16 |
| 7GS30CBM | 3 | 34 | 31.6 | 20 |
| 7GS50CBM | 5 | 54 | 49.6 | 28 |
| 10GS10CBM | 1 | 12 | 14.4 | 10 |
| 10GS15CBM | 1½ | 17 | 17.9 | 12 |
| 10GS20CBM | 2 | 20 | 20.0 | 13 |
| 10GS30CBM | 3 | 27 | 26.0 | 17 |
| 10GS50RCBM | 5 | 35 | 32.5 | 21 |
| 10GS50CBM | 5 | 42 | 36.3 | 22 |
| 18GS10CBM | 1 | 8 | 13.0 | 8 |
| 18GS15CBM | 1½ | 11 | 15.5 | 10 |
| 18GS20CBM | 2 | 14 | 18.1 | 11 |
| 18GS30CBM | 3 | 19 | 22.4 | 13 |
| 18GS50RCBM | 5 | 24 | 27.8 | 16 |
| 18GS50CBM | 5 | 30 | 33.9 | 19 |
| 18GS75CBM | 7½ | 45 | 46.7 | 30 |
| 18GS100CBM | 10 | 60 | 61.7 | 39 |
| 25GS10CBM | 1 | 7 | 12.8 | 7 |
| 25GS15CBM | 1½ | 9 | 14.6 | 9 |

| Model | HP | Stages | Length (W.E.) | W.E. Weight (lbs.) |
|------------|-----|--------|---------------|--------------------|
| 25GS20CBM | 2 | 11 | 16.5 | 10 |
| 25GS30CBM | 3 | 15 | 20.2 | 12 |
| 25GS50RCBM | 5 | 22 | 28 | 16 |
| 25GS50CBM | 5 | 25 | 30.9 | 19 |
| 25GS75CBM | 7½ | 34 | 40.5 | 24 |
| 25GS100CBM | 10 | 50 | 58.0 | 31 |
| 35GS10CBM | 1 | 6 | 14.2 | 8 |
| 35GS15CBM | 1.5 | 8 | 16.6 | 9 |
| 35GS20CBM | 2 | 10 | 19.1 | 10 |
| 35GS30CBM | 3 | 14 | 24.0 | 13 |
| 35GS50CBM | 5 | 23 | 36.4 | 20 |
| 35GS75CBM | 7.5 | 36 | 53.0 | 28 |
| 35GS100CBM | 10 | 46 | 65.2 | 34 |
| 45GS15CBM | 1.5 | 5 | 12.9 | 8 |
| 45GS20CBM | 2 | 7 | 15.4 | 9 |
| 45GS30CBM | 3 | 10 | 19.0 | 10 |
| 45GS50CBM | 5 | 17 | 27.7 | 15 |
| 45GS75CBM | 7.5 | 25 | 38.9 | 21 |
| 45GS100CBM | 10 | 34 | 50.6 | 27 |
| 65GS15CBM | 1.5 | 6 | 19.1 | 10 |
| 65GS20CBM | 2 | 7 | 21.2 | 11 |
| 65GS30CBM | 3 | 10 | 27.4 | 12 |
| 65GS50CBM | 5 | 16 | 41.2 | 18 |
| 65GS75CBM | 7.5 | 26 | 62.3 | 35 |
| 65GS100CBM | 10 | 33 | 76.8 | 42 |
| 85GS30CBM | 3 | 8 | 29.4 | 13 |
| 85GS50CBM | 5 | 14 | 42.8 | 18 |
| 85GS75CBM | 7.5 | 21 | 63.8 | 35 |
| 85GS100CBM | 10 | 27 | 79.9 | 41 |

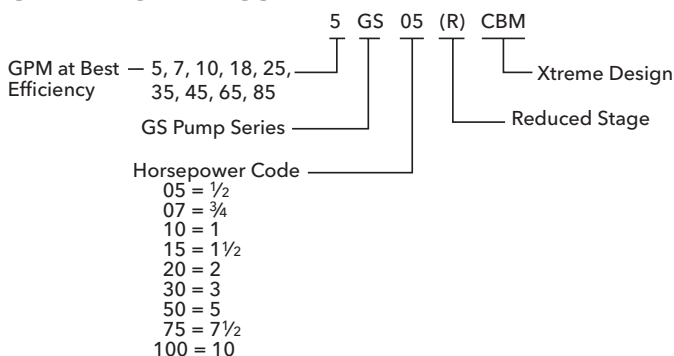
CENTRIPRO 4" SINGLE PHASE MOTORS

| Order No. | Type | HP | Volts | Length | | Weight | |
|-----------|------------|----|-------|--------|-----|--------|------|
| | | | | In. | MM | Lb. | Kg. |
| M05421 | 2-wire PSC | ½ | 115 | 11.0 | 279 | 19.2 | 8.7 |
| M05422 | | ½ | | 11.0 | 279 | 19.2 | 8.7 |
| M07422 | | ¾ | | 12.4 | 314 | 22.7 | 10.3 |
| M10422 | | 1 | | 13.3 | 337 | 24.5 | 11.1 |
| M15422 | | 1½ | | 14.9 | 378 | 28.9 | 13.1 |
| M05411 | 3-wire | ½ | 115 | 10.0 | 253 | 18.9 | 8.6 |
| M05412 | | ½ | | 9.7 | 246 | 18.1 | 8.2 |
| M07412 | | ¾ | | 10.8 | 275 | 21.4 | 9.7 |
| M10412 | | 1 | | 11.7 | 297 | 23.1 | 10.5 |
| M15412 | | 1½ | | 13.6 | 345 | 27.4 | 12.4 |
| M20412 | | 2 | | 15.1 | 383 | 31.0 | 14.1 |
| M30412 | | 3 | | 18.3 | 466 | 40.0 | 18.1 |
| M50412 | | 5 | | 27.7 | 703 | 70.0 | 31.8 |

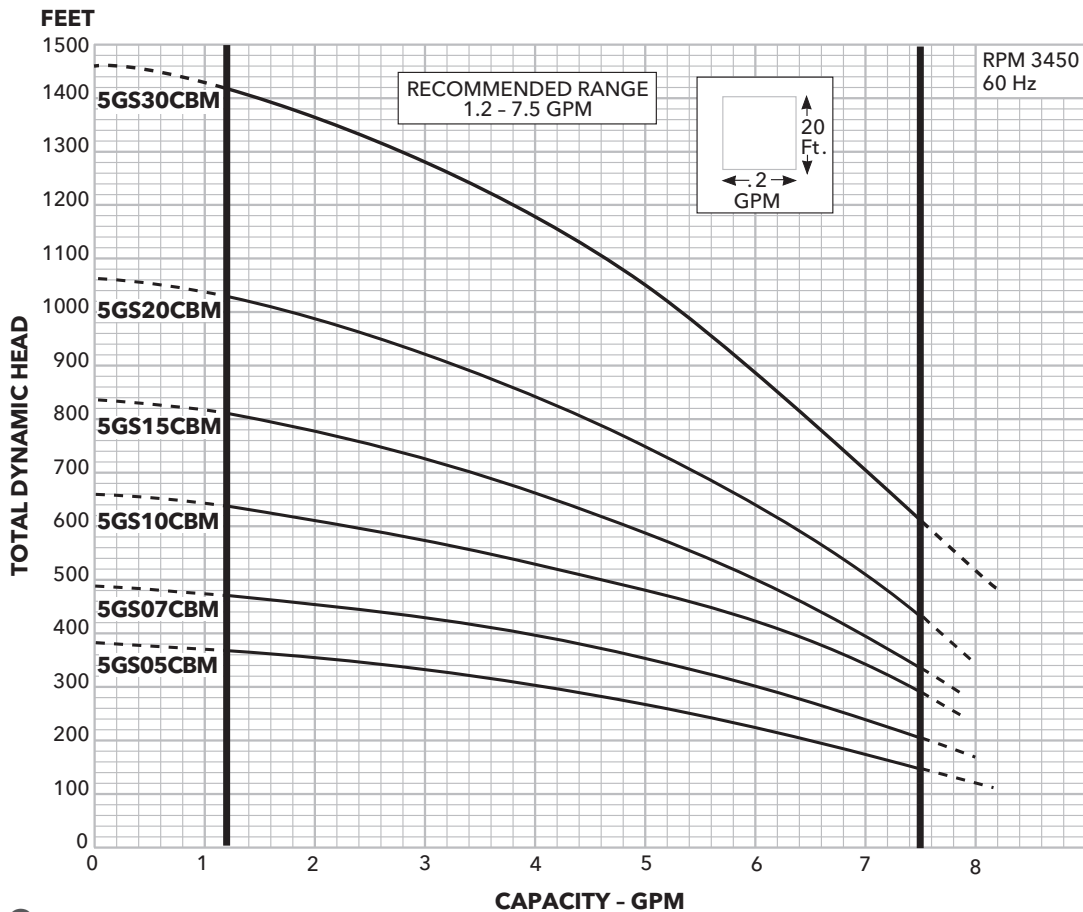
CENTRIPRO 4" THREE PHASE MOTORS

| Order No. | HP | Volts | Length | | Weight | | |
|-----------|----|-------|--------|------|--------|------|-----|
| | | | In. | MM | Lb. | Kg. | |
| M05430 | ½ | 200 | 10.8 | 275 | 22 | 9.7 | |
| M07430 | ¾ | | 10.8 | 275 | 22 | 9.7 | |
| M10430 | 1 | | 11.7 | 297 | 23.1 | 10.5 | |
| M15430 | 1½ | | 11.7 | 297 | 23.1 | 10.5 | |
| M20430 | 2 | | 13.8 | 351 | 27.4 | 12.4 | |
| M30430 | 3 | | 15.3 | 389 | 32 | 14.5 | |
| M50430 | 5 | | 21.7 | 550 | 55 | 24.9 | |
| M75430 | 7½ | | 27.7 | 703 | 70 | 31.8 | |
| M05432 | ½ | | 230 | 10.8 | 275 | 22 | 9.7 |
| M07432 | ¾ | | | 10.8 | 275 | 22 | 9.7 |
| M10432 | 1 | 11.7 | | 297 | 23.1 | 10.5 | |
| M15432 | 1½ | 11.7 | | 297 | 23.1 | 10.5 | |
| M20432 | 2 | 13.8 | | 351 | 27.4 | 12.4 | |
| M30432 | 3 | 15.3 | | 389 | 32 | 14.5 | |
| M50432 | 5 | 21.7 | | 550 | 55 | 24.9 | |
| M75432 | 7½ | 27.7 | | 703 | 70 | 31.8 | |
| M05434 | ½ | 460 | | 10.8 | 275 | 22 | 9.7 |
| M07434 | ¾ | | | 10.8 | 275 | 22 | 9.7 |
| M10434 | 1 | | 11.7 | 297 | 23.1 | 10.5 | |
| M15434 | 1½ | | 11.7 | 297 | 23.1 | 10.5 | |
| M20434 | 2 | | 13.8 | 351 | 27.4 | 12.4 | |
| M30434 | 3 | | 15.3 | 389 | 32 | 14.5 | |
| M50434 | 5 | | 21.7 | 550 | 55 | 24.9 | |
| M75434 | 7½ | | 27.7 | 703 | 70 | 31.8 | |
| M100434 | 10 | | 30.7 | 780 | 78 | 35.4 | |

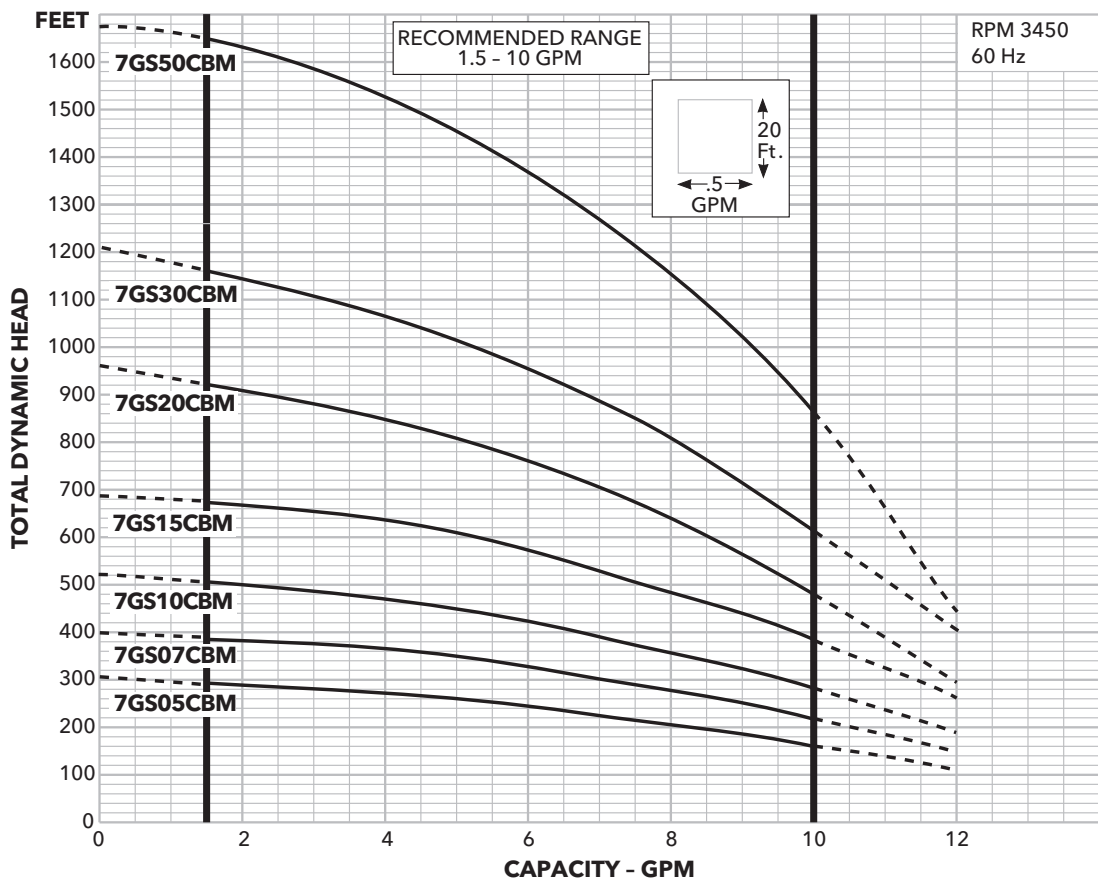
ORDER NUMBER CODE



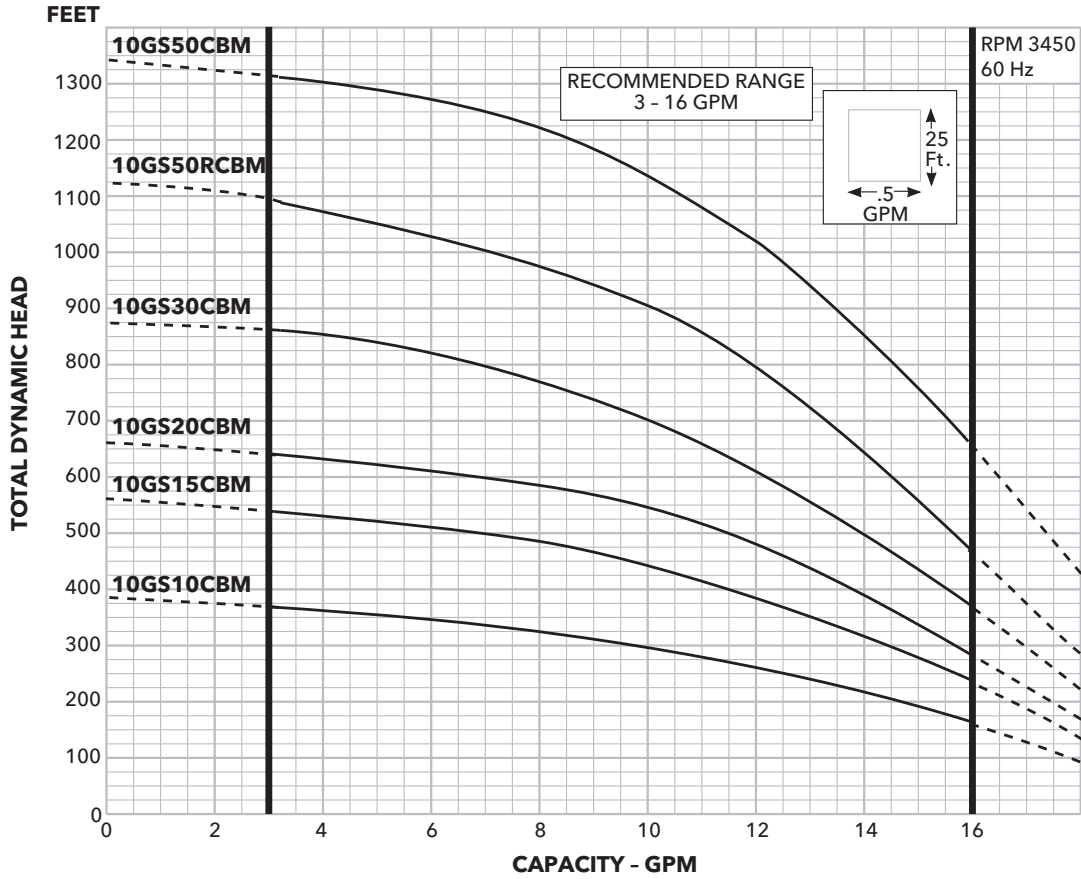
5GSCBM Curve



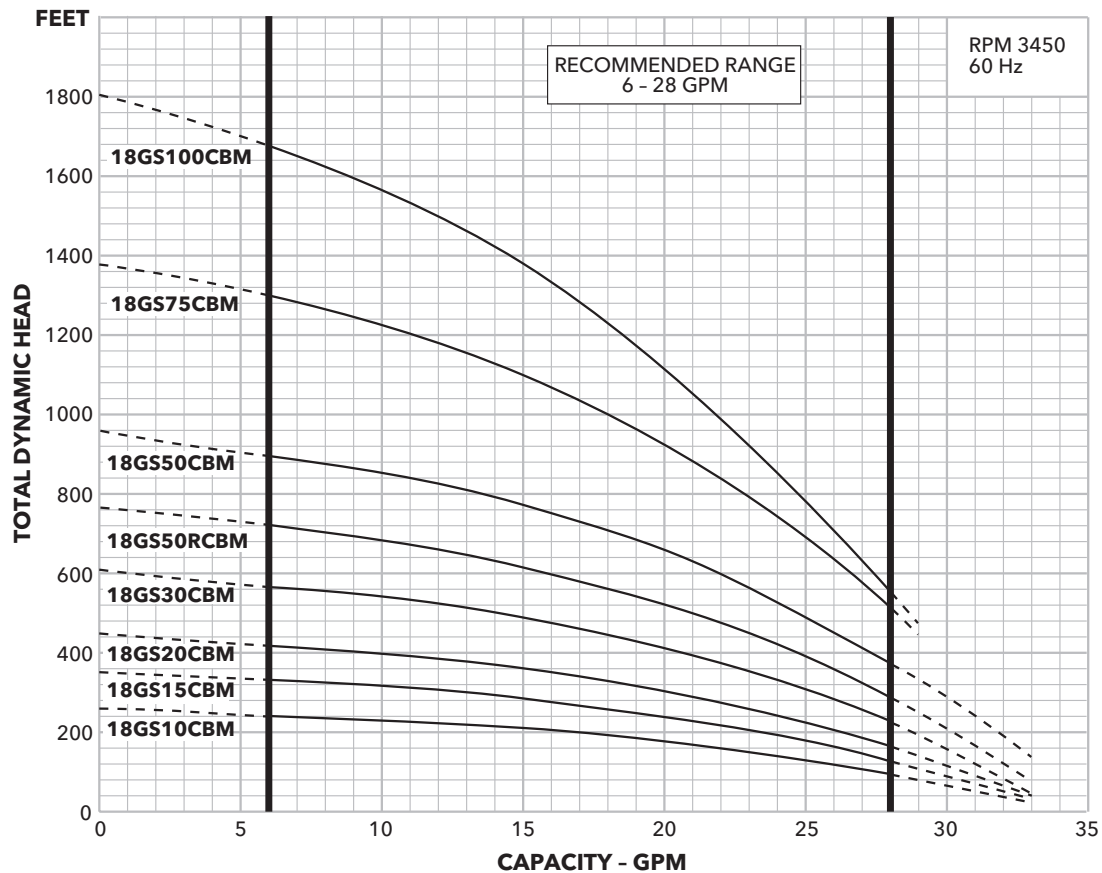
7GSCBM Curve



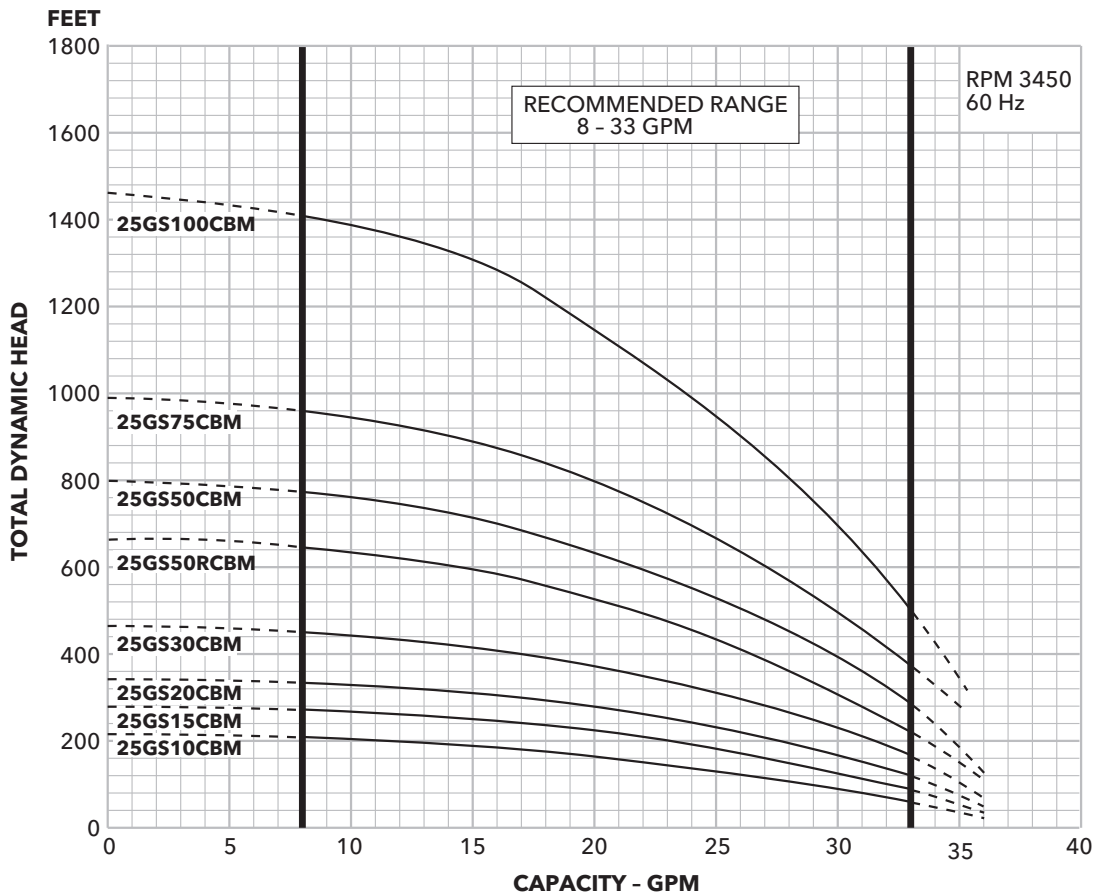
10GSCBM Curve



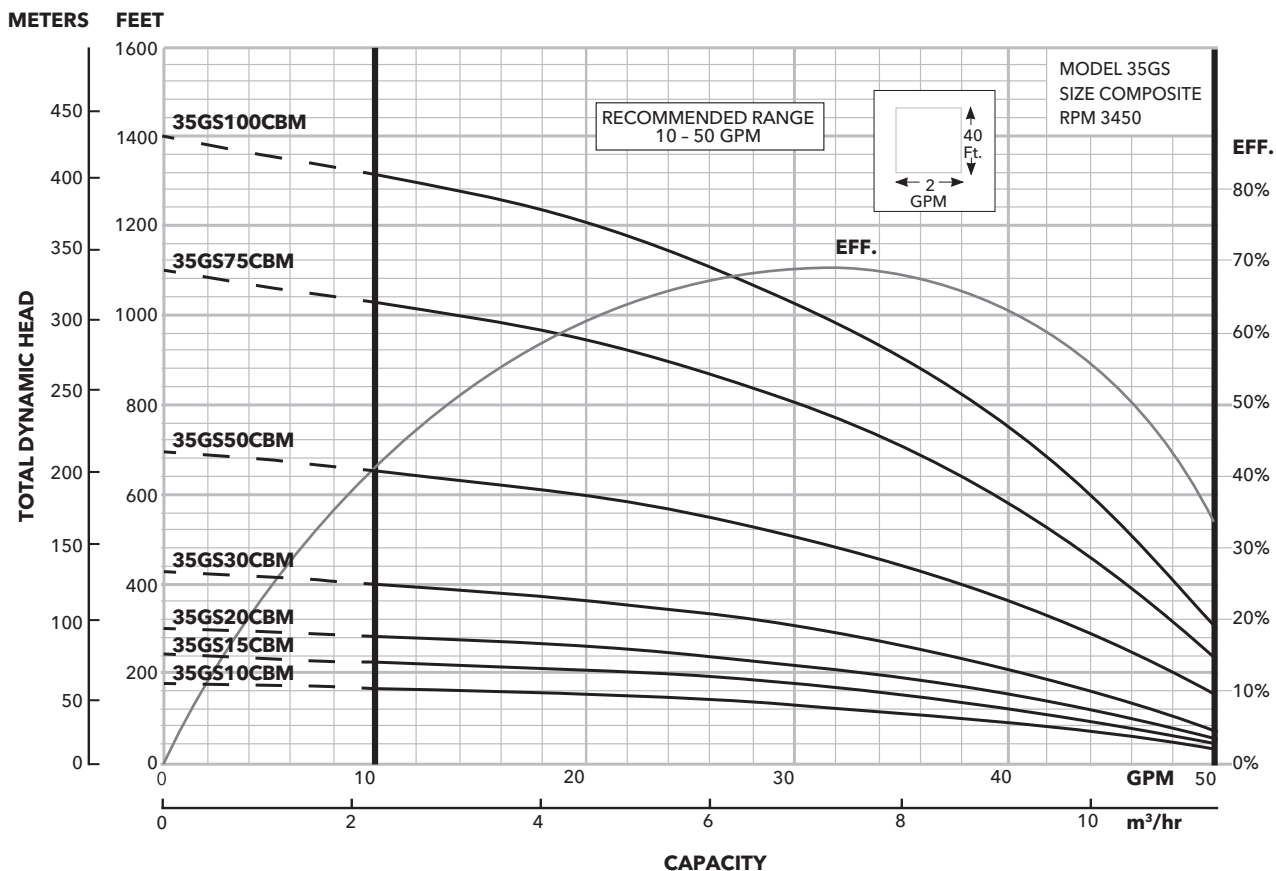
18GSCBM Curve



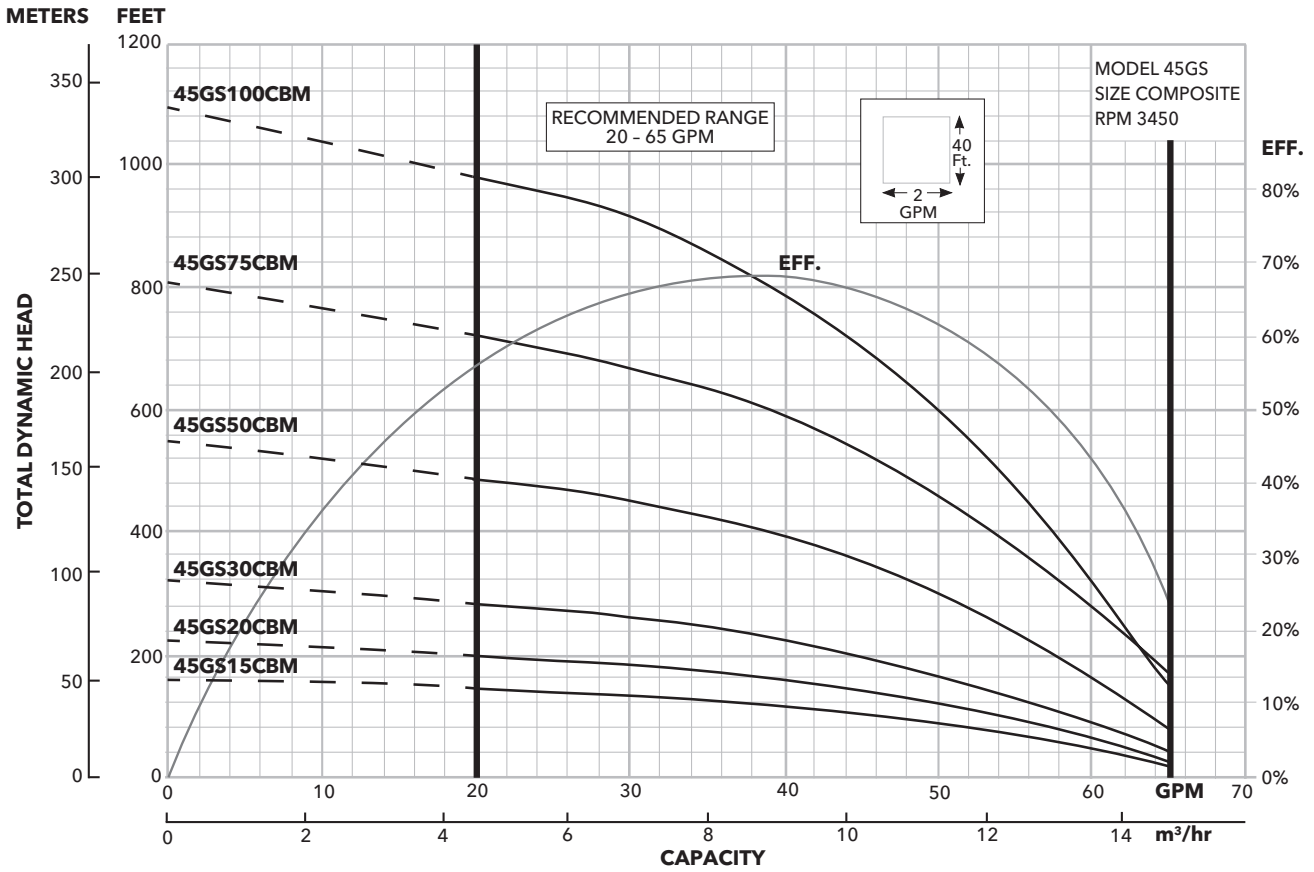
25GSCBM Curve



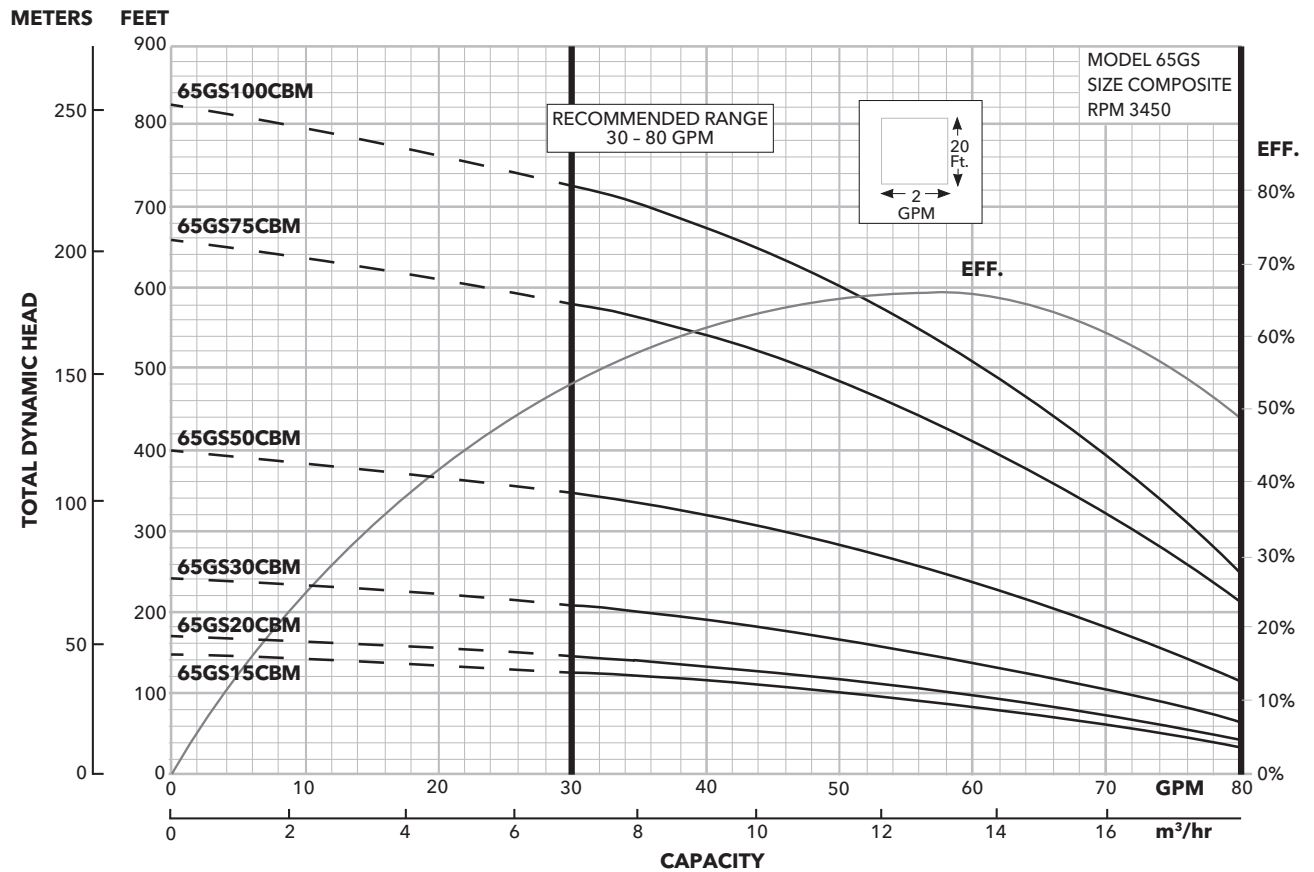
35GSCBM Curve



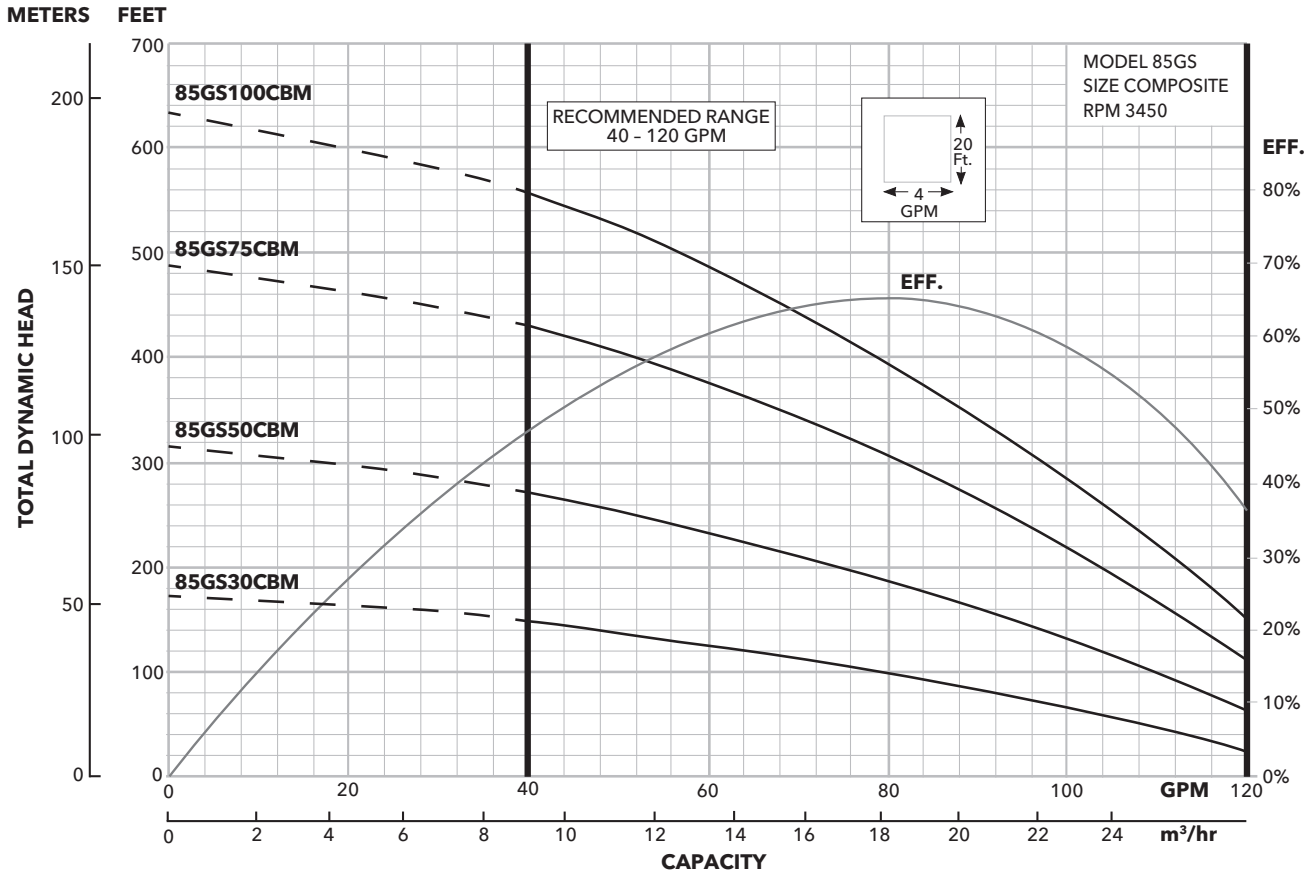
45GSCBM Curve



65GSCBM Curve



85GSCBM Curve



Xylem Inc.
 2881 East Bayard Street Ext., Suite A
 Seneca Falls, NY 13148
 Phone: (866) 325-4210
 Fax: (888) 322-5877
www.gouldswatertechnology.com

Goulds is a registered trademark of Goulds Pumps, Inc. and is used under license.
 GS Xtreme is a trademark of Xylem Inc. or one of its subsidiaries.
 © 2016 Xylem Inc. B5-85GSX R4 September 2016