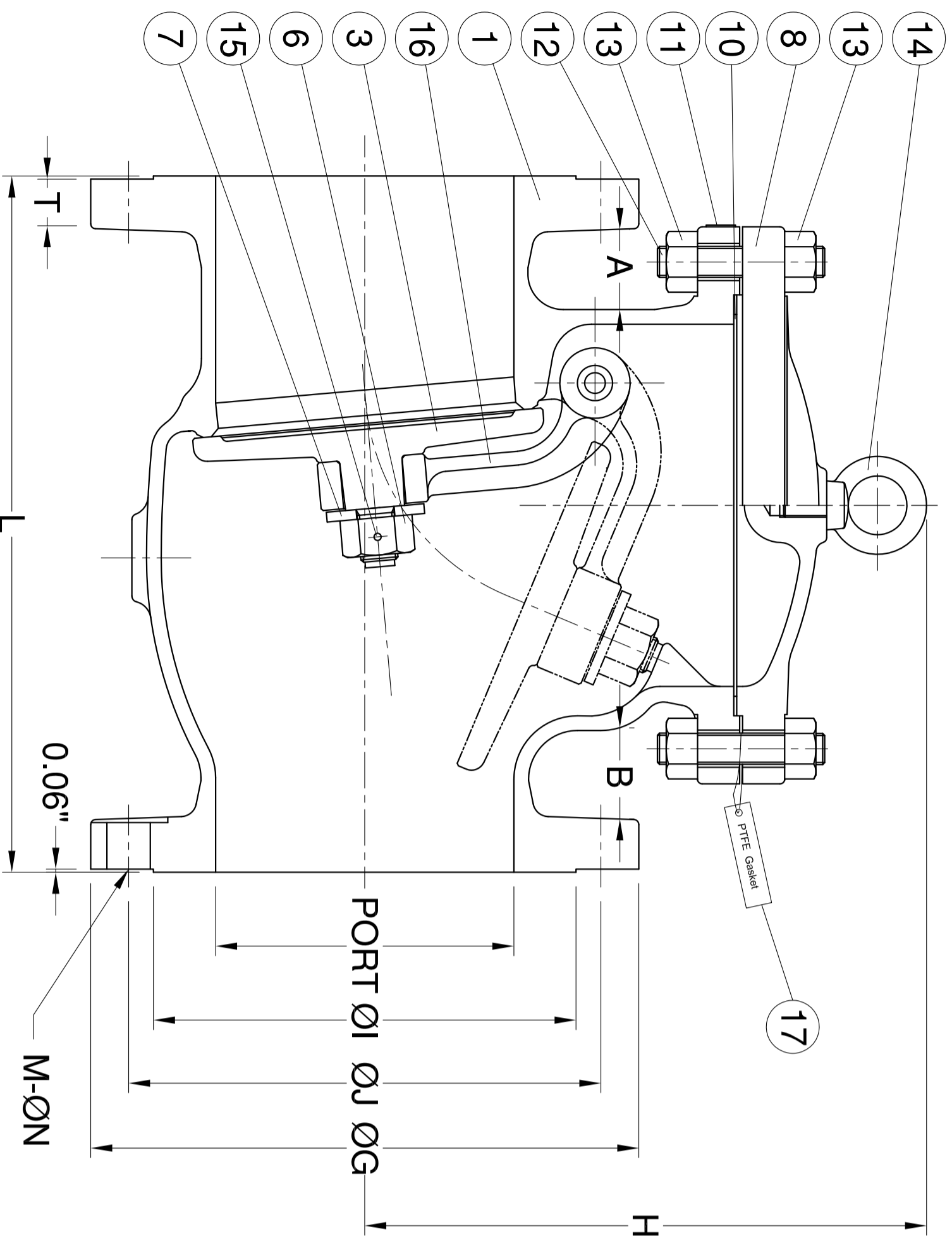
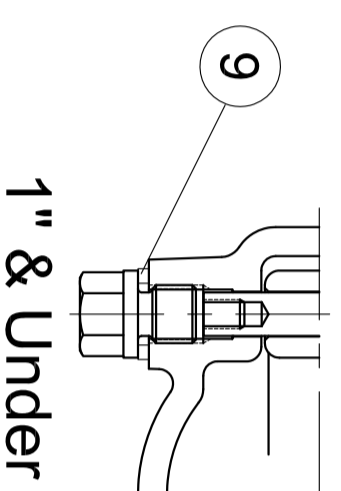
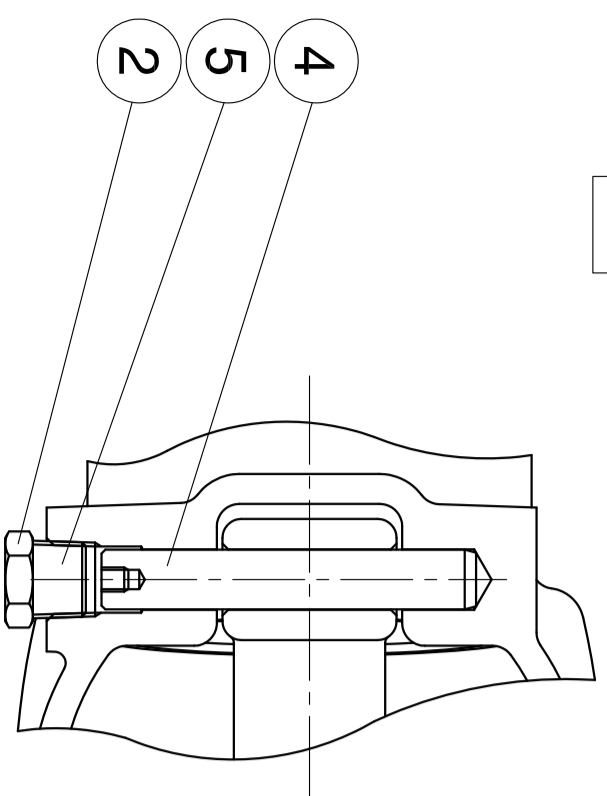


BODY MARK  
(EXAMPLE)

TEST PRESSURE :  
Shell ( by Water ) ,425 Psig  
Seat ( by Water ) ,303 Psig  
( by Air ) ,80 Psig

APPLICABLE STANDARDS :  
Design Standard : ASME B16.34  
Face to Face : ASME B16.10  
End Flanges : ASME B16.5  
Test Inspection Per API 598

**WA**  
2  
150  
CF8M



**Fig No: WA-3156WA-10**

**MATERIALS LIST**

NO.	NAME OF PARTS	MATERIALS
1	BODY	ASTM A351 Gr.CF8M
2	PLUG	ASTM A276 Gr.316
3	DISC	ASTM A351 Gr.CF8M ASTM A276 Gr.316 ASTM A276 Gr.316
4	HINGE PIN	ASTM A276 Gr.316
5	PLUG TAPE	PTFE
6	DISC NUT	ASTM A194 Gr.8MA
7	DISC WASHER	ASTM A276 Gr.316
8	COVER	ASTM A351 Gr.CF8M
9	SEAL GASKET	ASTM A276 Gr.316
10	GASKET	PTFE
11	NAMEPLATE	ASTM A666 Gr.304
12	COVER STUD	ASTM A193 Gr.B8
13	COVER NUT	ASTM A194 Gr.8
14	EYE BOLT	ASTM A36+Zn PLATE
15	PIN	ASTM A276 Gr.316
16	SWING ARM	ASTM A351 Gr.CF8M
17	PTFE TAG	ASTM A666 Gr.304

**DIMENSIONS**

SIZE	PORT	L	H	ØG	ØJ	ØI	T	M	ØN	(A)	(B)	Weight(lbs)	CV's (GPM)	Cracking Pressure(Psi)	
DN15	1/2"	0.59	4.25	3.15	3.50	2.38	1.38	0.31	4	5/8	0.53	0.67	4.0	10.17	0.48
DN20	3/4"	0.75	4.62	3.15	3.88	2.75	1.69	0.34	4	5/8	0.67	0.77	5.5	23.79	0.27
DN25	1"	1.00	5.00	3.76	4.25	3.12	2.00	0.38	4	5/8	0.74	0.69	7.7	44.09	0.26
DN32	1-1/4"	1.26	5.50	3.94	4.62	3.50	2.50	0.44	4	5/8	0.80	0.86	13.0	70.43	0.41
DN40	1-1/2"	1.50	6.50	4.80	5.00	3.88	2.88	0.50	4	5/8	0.92	0.84	15.0	103.81	0.36
DN50	2"	2.00	8.00	5.59	6.00	4.75	3.62	0.56	4	3/4	1.16	1.23	24.0	194.02	0.41
DN65	2-1/2"	2.50	8.50	5.83	7.00	5.50	4.12	0.62	4	3/4	1.02	1.13	35.9	311.46	0.37
DN80	3"	3.11	9.50	6.34	7.50	6.00	5.00	0.69	4	3/4	1.34	0.96	45.9	448.50	0.33
DN100	4"	4.00	11.50	7.36	9.00	7.50	6.19	0.88	8	3/4	1.55	1.17	66.1	820.45	0.36
DN125	5"	5.00	13.00	10.28	10.00	8.50	7.31	0.88	8	7/8	1.37	2.24	92.6	1321.41	0.40
DN150	6"	6.00	14.00	11.30	11.00	9.50	8.50	0.94	8	7/8	1.21	1.84	123.7	1965.23	0.37
DN200	8"	8.00	19.50	12.44	13.50	11.75	10.62	1.06	8	7/8	2.79	2.99	205.0	3616.36	0.42
DN250	10"	10.00	24.50	15.47	16.00	14.25	12.75	1.12	12	1	3.45	4.18	370.0	5650.57	0.42
DN300	12"	12.00	27.50	16.85	19.00	17.00	15.00	1.19	12	1	4.88	4.04	476.2	8443.98	0.39

Notes:  
(A)(B):Reference Value

APPROVED BY.	CHECK BY.	DRAWN BY.	DRAWINGNO.	MATERIAL	UNIT	DESCRIPTION
William.Wang	S.C.Chen	W.M.Ji	WA-3156WA-10	LIST	inch	STAINLESS STEEL SWING CHECK VALVES FLANGED END ANSI CLASS 150
SIGN	DATE	REVISION	SCALE	FREE	NCWA	
06/22/2022	06/22/2022	02				

**Warren Valve**