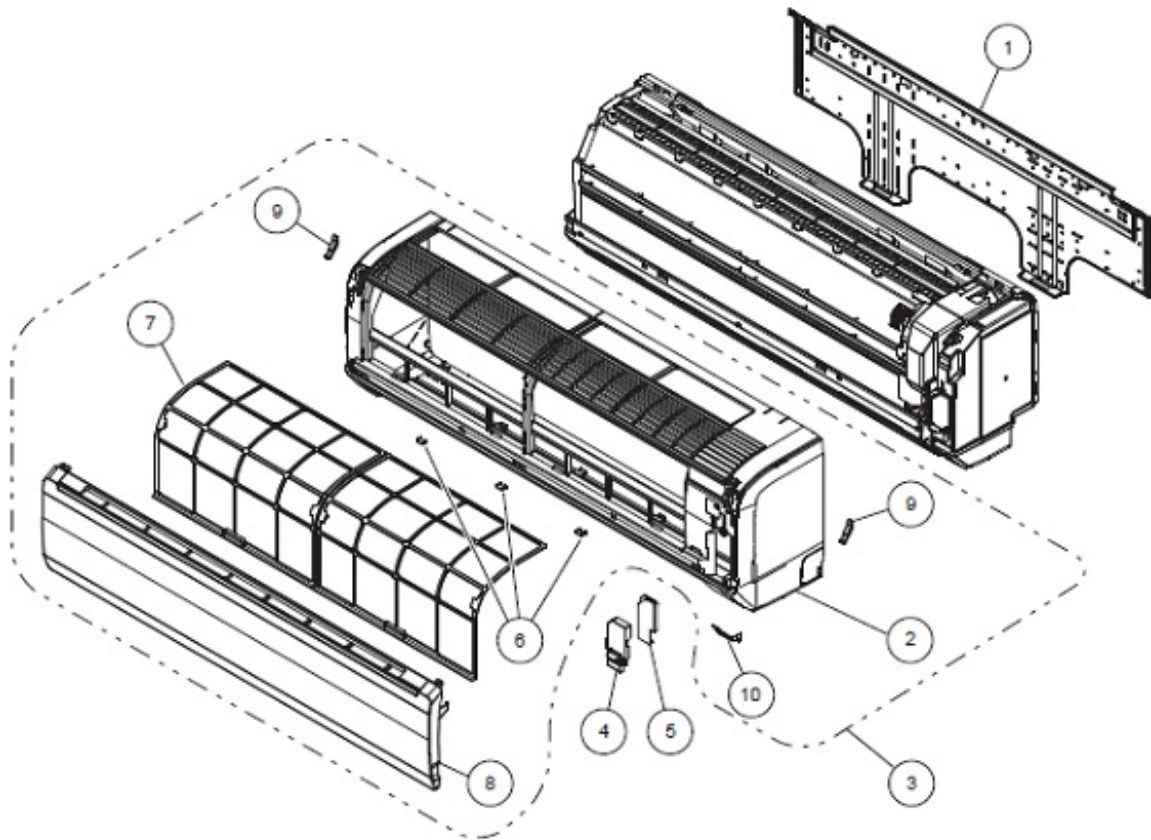


Diagrams for Model ASUB18TLAV1

Model Information: [ASUB18TLAV1](#) VRF Inner Unit - H/R - 18,000 BTU - Wall Mount

A complete list of parts used in this diagram is listed below.



Listed below are parts available for ASUB18TLAV1. To purchase a part enter the desired quantity on the parts line. Once you have selected parts to purchase, click the Submit button located at the bottom of the list.

Item #	Part #	Price	In-Stock Rating		Description
			East Coast	West Coast	
1	K9315023018	\$8.58	Good	Good	BRACKET WALL DW HVAB# SECC-CF-X 20/20 T0.7
10	K9315010018	\$1.00	Not in Stock	Low	RECEIVER IR WINDOW HVAB# PMMA-ABS
2	K9314991073	\$45.09	Not in Stock	Low	FRONT PANEL ASUB18~24 VAB DW HIPS PICT(OPE/TIM/QUI)
3	K9315335364	\$35.50	Not in Stock	Low	FRONT PANEL TA VAB
4	K9380786009	\$7.85	Not in Stock	Fair	WIRE COVER ASUB18~24RLAV VII BL56 PPE
5	K9380787006	\$1.00	Not in Stock	Not in Stock	SHIELD D VR2ASUB18/24TLAV RLAV
6	K9309002074	\$1.00	Good	Not in Stock	CAP SCREW HVR2 ASU18/24

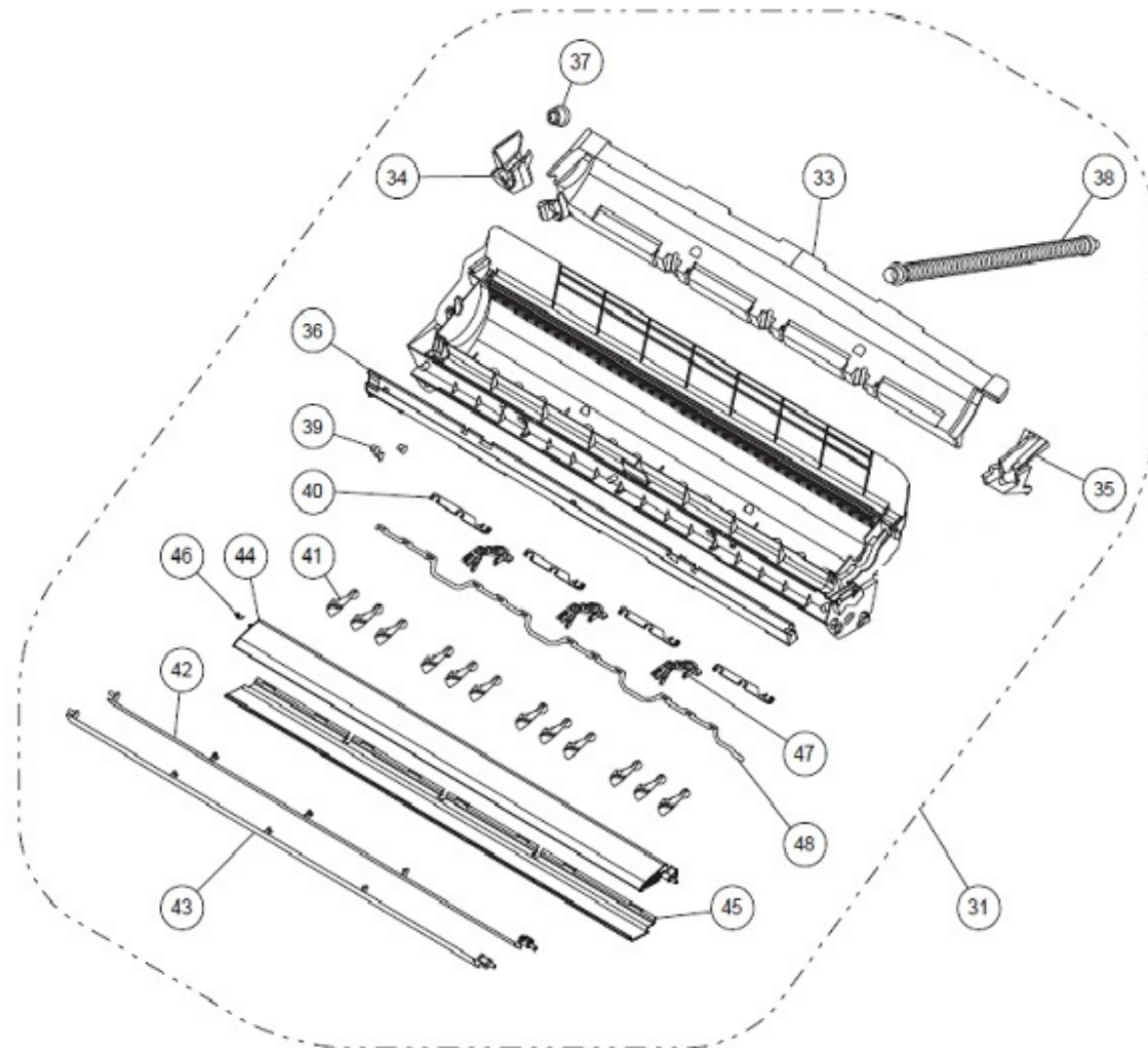
Diagrams for Model ASUB18TLAV1

7	K9315014023	\$8.10	Not in Stock	Good	AIR FILTER ASUB18+ HVII PP
8	K9385985193	\$27.17	Not in Stock	Fair	INTAKE GRILLE ASSY VAB
9	K9306755010	\$1.90	Good	Good	CLAMP INTAKE GRILLE ASU*# HVAB POM
A	K9315212016	\$18.43	Good	Good	AIR FILTER KIT W/FRAME HVAB# UTR-FA13-1 & UTR-FA13-2

Diagrams for Model ASUB18TLAV1

Model Information: [ASUB18TLAV1](#) VRF Inner Unit - H/R - 18,000 BTU - Wall Mount

A complete list of parts used in this diagram is listed below.



Listed below are parts available for ASUB18TLAV1. To purchase a part enter the desired quantity on the parts line. Once you have selected parts to purchase, click the Submit button located at the bottom of the list.

Item #	Part #	Price	In-Stock Rating		Description
			East Coast	West Coast	
31	K9315331076	\$120.89	Not in Stock	Low	CASING TA ASUB18~24 VAB DW W/FAN GUARD
33	K9315016010	\$1.79	Not in Stock	Low	COVER CASING B DW ASUB18+ HVII EPS
34	K9315017017	\$1.00	Not in Stock	Not in Stock	COVER CASING L ASUB18~24 HVII# EPS STYROFOAM
35	K9315018014	\$1.00	Low	Not in Stock	COVER CASING R ASUB18~24 HVII# STYROFOAM
36	K9315019011	\$1.04	Low	Not in Stock	COVER CASING F ASUB18~24 HVII# STYROFOAM EPS

Diagrams for Model ASUB18TLAV1

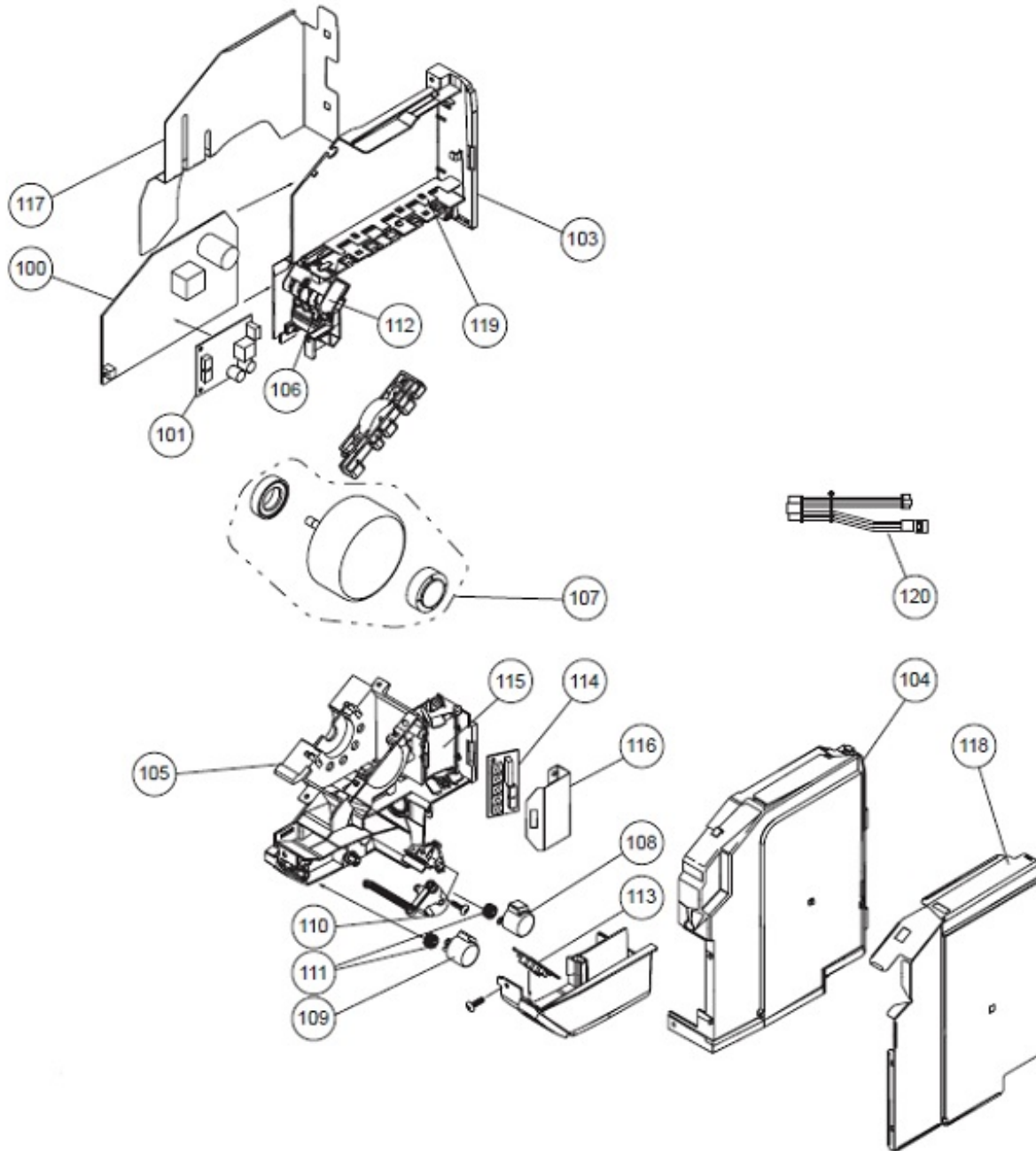
37	K9367677009	\$1.00	Low	Fair	DRAIN CAP RAC HFI HVAB # RUBBER
38	K9367695003	\$3.67	Good	Not in Stock	HOSE DRAIN HFI ASUB HVII PVC
39	K9312156016	\$1.00	Not in Stock	Low	BUSHING-B RAC+RLXS HVII # POM
40	K9315282019	\$1.00	Not in Stock	Not in Stock	SPACER D AGU ABS
41	K9311997016	\$1.00	Not in Stock	Good	LOUVER R+L RACi+ HVAB PP
42	K9315000026	\$1.41	Low	Low	LOUVER U HVR2 ASUB18/24 UPPER
43	K9315001023	\$1.28	Not in Stock	Good	LOUVER Z HVR2 ASUB18/24 LOWER
44	K9315002020	\$2.03	Not in Stock	Not in Stock	DIFFUSER U HVR2 ASUB18/24
45	K9315003027	\$4.28	Not in Stock	Low	DIFFUSER Z HVR2 ASU18/24
46	K9314142017	\$1.00	Not in Stock	Not in Stock	SPRING C HVII# DIFFUSER SUS304-WPB
47	K9315009012	\$1.54	Not in Stock	Low	PILLER A ASUB18~24 HVII# WSL POM
48	K9315006011	\$1.00	Not in Stock	Low	JOINT B RLXF# ASU** HVAB PLASTIC GRAY
A	K9305751051	\$1.00	Not in Stock	Not in Stock	GUARD FAN RLXS/RLF HVII L=796
B	K9315814012	\$1.00	Good	Good	HOLDER FAN GUARD R HFI HVII# ABS
C	K9315815019	\$1.00	Good	Good	HOLDER FAN GUARD L HFI HVII# ABS

SUBMIT

Diagrams for Model ASUB18TLAV1

Model Information: [ASUB18TLAV1](#) VRF Inner Unit - H/R - 18,000 BTU - Wall Mount

A complete list of parts used in this diagram is listed below.



Listed below are parts available for ASUB18TLAV1. To purchase a part enter the desired quantity on the parts line. Once you have selected parts to purchase, click the Submit button located at the bottom of the list.

Item #	Part #	Price	In-Stock Rating		Description
			East Coast	West Coast	
100	K9708981048	\$54.58	Not in Stock	Good	CONTROLLER PCB ASSY VAB K11BD-1701HSE-C1
101	K9709373026	\$38.77	Good	Good	COMMUNICATION PCB IN VAB K11AI-1600HSE-CA1

Diagrams for Model ASUB18TLAV1

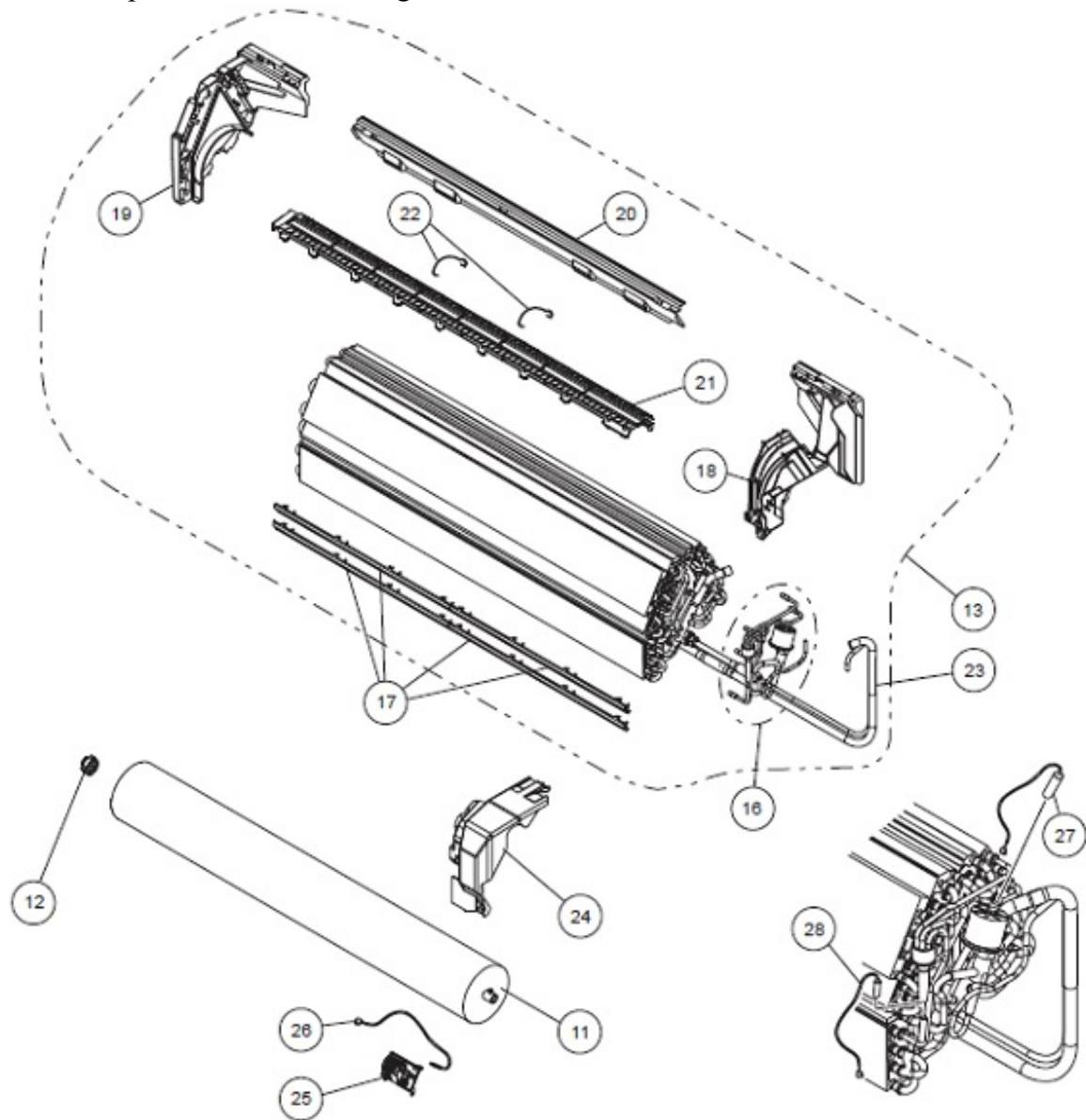
103	K9379830003	\$16.23	Not in Stock	Low	BOX CONTROL ASUB18~24RLAV VII ABS FR(17)
104	K9379831000	\$14.43	Not in Stock	Low	BOX CONTROL COVER ASUB18~24VII ABS FR(17)
105	K9314998058	\$2.44	Not in Stock	Not in Stock	CASE MOTOR VR2 HIPS FR(17)
106	K9379835008	\$2.75	Not in Stock	Low	TERMINAL EARTH ASUB18~24 VII SGCC-Z-CF-X Z18 T1.0
107	K9602784004	\$48.31	Good	Good	MOTOR DC BRUSHLESS HVAB # MFD-50RON 8P 42W DC340V
108	K9900384029	\$4.40	Good	Good	MOTOR STEP DIFFUSER HVAB# 24BYJ48-660 LEIL300 NDFEB RED
109	K9900384036	\$4.40	Good	Good	MOTOR STEP UP/DOWN HVAB# 24BYJ48-661 DC12V4W GREEN
110	K9900139063	\$4.12	Good	Good	MOTOR STEP L/R HVAB# 20BYJ46-166 250 12VDC BLUE
111	K9309994003	\$1.23	Good	Good	GEAR A HVAB# POM
112	K9900588007	\$6.38	Not in Stock	Low	TERMINAL ASUB18~24RLAV VAB HP-T3064C-A1-L2
113	K9707210040	\$2.57	Not in Stock	Low	INDICATOR PCB ASUB18+ VAB# K05CY-0901HSE-D0
114	K9707732016	\$32.46	Low	Low	SWITCH PCB VAB# K06EL-0700HSE-SW0
115	K9379833004	\$2.94	Not in Stock	Low	SWITCH BOX ASUB18~24RLAV VII HIPS FR(17)
116	K9379945004	\$3.53	Not in Stock	Low	SWITCH BOX COVER ASUB18~24 VII PET T0.5
117	K9379836005	\$0.00	-	-	SHIELD A VII NLA
118	K9379837002	\$0.00	-	-	SHIELD B VII NLA
119	K9379838009	\$0.00	-	-	SHIELD C VII NLA
120	K9707854022	\$1.56	Good	Good	WIRE TH CONNECT VAB UL1430 #24 4P
A	K0600376062	\$1.00	Good	Good	FUSE PLUG IN HVAB# 3.15A 250V (EML) FSL 20mm
B	K0501675011	\$1.69	Not in Stock	Not in Stock	HOLDER FUSE RLXS TP00351-31 SOLDER REQUIRED

SUBMIT

Diagrams for Model ASUB18TLAV1

Model Information: [ASUB18TLAV1](#) VRF Inner Unit - H/R - 18,000 BTU - Wall Mount

A complete list of parts used in this diagram is listed below.



Listed below are parts available for ASUB18TLAV1. To purchase a part enter the desired quantity on the parts line. Once you have selected parts to purchase, click the Submit button located at the bottom of the list.

Item #	Part #	Price	In-Stock Rating		Description
			East Coast	West Coast	
11	K9315024015	\$20.81	Good	Good	CROSSFLOW FAN HVAB# DW ASG L=873 D=107
12	K9315024015	\$20.81	Good	Good	CROSSFLOW FAN HVAB# DW ASG L=873 D=107
13	K9315338310	\$188.60	Fair	Low	EVAPORATOR TA VAB
16	K9318601008	\$87.88	Not in Stock	Not in Stock	EXPANSION VALVE TA VAB

Diagrams for Model ASUB18TLAV1

17	K9315251015	\$1.71	Not in Stock	Not in Stock	WATER SEAL RACi HVII# ABS
18	K9379829007	\$13.52	Not in Stock	Low	HOLDER R EVAPORATOR ASUB18+VII ABS FR(17)
19	K9314995019	\$3.54	Low	Not in Stock	HOLDER LEFT EVAP HVII# ABS
20	K9315022011	\$3.19	Not in Stock	Not in Stock	REAR BRACKET DW HVII# METAL SGCC-Z-CF-XZ22 T0.6
21	K9315013033	\$2.42	Not in Stock	Low	GUIDE FILTER VAB HIPS
22	K9315411013	\$1.00	Low	Not in Stock	FILTER GUARD HFI ASUB HVII # SUS304-WPB
23	K9315355089	\$17.04	Not in Stock	Not in Stock	PIPE CONNECTION ASSY VAB ASSEMBLY
24	K9379840002	\$6.28	Not in Stock	Low	PIPE COVER ASUB18~24 VAB WSL ABS WHITE GLOSSY
25	K9379930000	\$2.94	Not in Stock	Low	HOLDER ROOM THERMISTOR VAB ABS TAINETU
26	K9900585006	\$1.58	Low	Not in Stock	THERMISTOR ROOM ASUB VAB WSL KTEC-41-F36-1
27	K9900498092	\$3.02	Good	Good	THERMISTOR PIPE OUT VAB# PTM-51G-F10-10 BLACK CONNECTOR
28	K9900509071	\$3.86	Not in Stock	Good	THERMISTOR PIPE IN VAB PT2M-51G-F1-8

SUBMIT

