

Location: \_\_\_\_\_

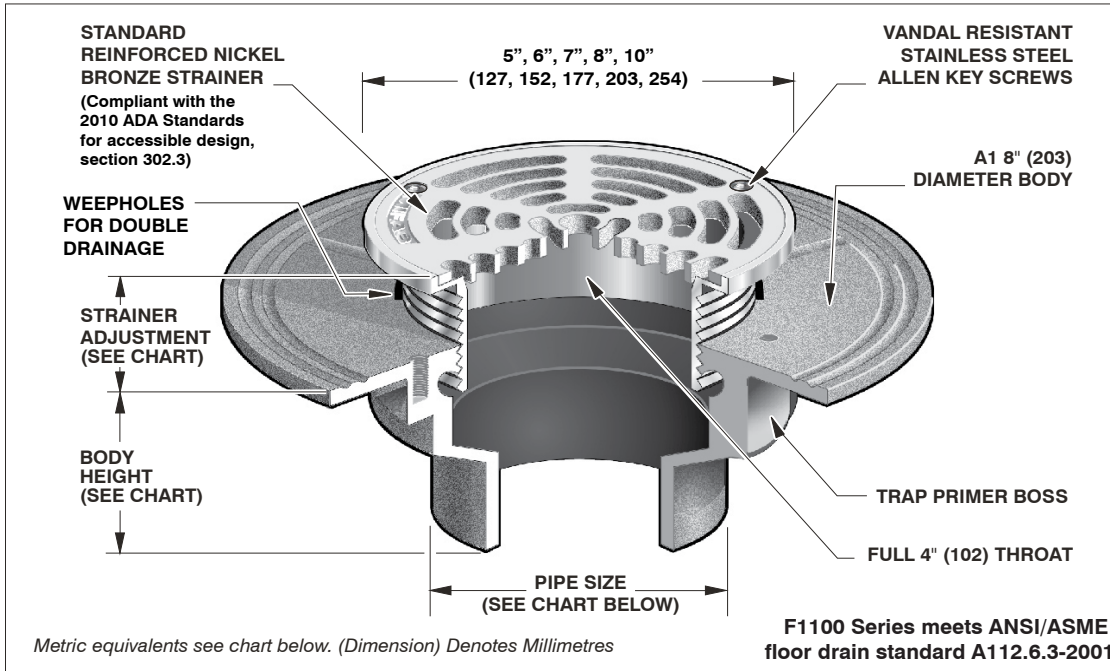


**F1100**

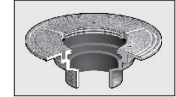
**FLOOR DRAIN FOR NON-MEMBRANE FLOOR AREAS**

**Specification:** MIFAB® Series F1100 (\*)-1 (\* specify strainer diameter) lacquered cast iron floor drain with anchor flange, and standard satin finished nickel bronze strainer with vandal resistant stainless steel allen key screws. (For membrane floors, add -C to the Series number).

**Function:** Used in showers, kitchens, restrooms, and other non-membrane finished areas. Round adjustable nickel bronze strainer is used for all types of poured finished floors.



**PARTS:**



A1 BODY



(\*)-(\*\*)  
(\*) Denotes Strainer Size  
(\*\*) Denotes Strainer Finish  
(-1, -3 or -4)

STRAINER DIAMETER	STRAINER ADJUSTMENT		FREE AREA	ANSI/ASME RATING		PIPE SIZE	BODY HEIGHT				
	MIN	MAX		LOAD RATING			NO HUB (STANDARD)	PUSH ON (P)	THREADED (T)	INSIDE CAULK (X)	PVC/ABS (-30)/(-31)
				N.B. (-1)	S.S. (-3)						
5" (127)	1/2" (38)	1 1/2" (38)	8 in <sup>2</sup> (52002)	Up To 2000 Lbs.	5000 lbs to 7499 lbs	2" (51)	3" (76)	3 3/8" (86)	2 1/4" (57)	3 3/4" (95)	2 15/16" (75)
6" (152)	11/16" (17)	1 1/2" (38)	9 in <sup>2</sup> (58002)	Up To 2000 Lbs.		3" (76)	3" (76)	3 3/8" (86)	2 5/8" (67)	3 3/4" (95)	3 3/4" (95)
7" (178)	9/16" (14)	1 9/16" (40)	12 in <sup>2</sup> (77002)	Up To 2000 Lbs.		4" (102)	3" (76)	3 3/8" (86)	2 5/8" (67)	3 3/4" (95)	3 3/4" (95)
8" (203)	1 1/16" (17)	2 1/4" (57)	18 in <sup>2</sup> (116002)	Up To 2000 Lbs.		5" (127)	3" (76)	--	2 5/8" (67)	3 3/4" (95)	--
10" (254)	1 1/16" (17)	2 1/4" (57)	26 in <sup>2</sup> (171702)	Up To 2000 Lbs.		6" (152)	3 1/4" (83)	6 1/2" (165)	--	--	--

SUFFIX	OPTIONAL VARIATIONS
-1	Nickel bronze strainer (standard)
-3	Stainless steel strainer
-4	Ductile iron strainer (5", 8" only)
-5	Sediment bucket
-6	Security screws (T-20 Torx & pin)
-7	1/2" trap seal primer connection
-8	Backwater valve (2", 3", 4")
-11	Acid resistant epoxy coated body
-13	Galvanized body
-15	Extension
-21	Secondary flat stainless steel strainer (2", 3", 4")
-28	Stainless steel body (Type 304)
-30	PVC socket connection body
-31	ABS socket connection body
-34	Closure plug
-40	Underdeck clamp
-41	Sump receiver

-49	Chrome plated strainer
-50	Lacquered cast iron funnel
-90	Threaded side outlet (2", 3", 4") (cast iron only)
-90NH	No hub side outlet (2", 3", 4") (cast iron only)
-95	Client logo
-ARRA	American Iron and Steel Act Compliant
-BA	Minimum 51% material cost made in the USA
-C	Membrane clamp for low rough-in (min. 1/2" (13))
-C2	High rough-in membrane clamp (min. 1 9/16" (40))
-F4	4" Round funnel
-F6	6" Round funnel
-G	Oval 4" x 9" funnel
-HP	Heel proof grate (1/4" maximum grate opening size, -3 only)
-J	6" x 3" x 1" funnel
-MG	MI-GARD Floor Drain Trap Sealer (2", 3" or 4")
P	Push on outlet
-PA	Pennsylvania Steel Act compliant product
T	Threaded outlet (2", 3", 4")
X	Inside caulk outlet
-Z	Extended wide elastomeric flange

CALIFORNIA PROPOSITION 65 WARNING. This product contains chemicals known to the State of California to cause cancer and birth defects or other reproductive harm.

Job Name: \_\_\_\_\_ Page No: \_\_\_\_\_

Section No: \_\_\_\_\_ Contractor: \_\_\_\_\_

Schedule No: \_\_\_\_\_ Purchase Order No: \_\_\_\_\_