



**GE APPLIANCES**  
*a Haier company*

# Product Specifications

**NP14AS**  
14 SEER Electric / Electric  
Packaged Unit



**READ CAREFULLY.  
KEEP THESE INSTRUCTIONS.**

# NP14AS

## PRODUCT SPECIFICATIONS

---

### **REFRIGERANT SYSTEM**

- Environmentally friendly R410A refrigerant
- Copper tubing with enhanced fin coils
- Internal service gauge ports
- Sleeved distributor tubes
- Antimicrobial insulated drain pan
- High and Low Threaded pressure switches for system protection

### **CABINET CONSTRUCTION**

- Heavy-gauge galvanized steel base rails with rigging holes
- Rounded corners for safety and an attractive, clean appearance
- One piece base design for strength and stability
- Condensate and coil runoff drains to the perimeter of the unit
- Horizontal and downflow duct openings are flanged to minimize water entry
- Low profile, with compact footprint
- Insulation to minimize heat loss plus reduce sound
- Textured pre-painted steel cabinet finish
- Superior service access to components
- Louvered coil guard protection
- One piece “no leak” top design

### **BLOWER**

- Insulated compartment to reduce sound
- Efficient constant torque motor for wide airflow range
- Slide out blower housing for easy service

### **INSTALLATION**

- Horizontal or down discharge capable
- Horizontal and downflow duct covers provided with unit for installation flexibility
- Drain pan float switch monitors condensate level in drain pan and shuts down unit if drain becomes clogged
- Utility connections on “right side”
- Kits enable bottom gas and power entry through base pan
- Seismic Certification (with Seismic Strapping Kit applied): Latest Edition of International Building Code, California Building Code, and ASCE 7-16

# NP14AS

## PRODUCT SPECIFICATIONS

---

### ACCESSORIES

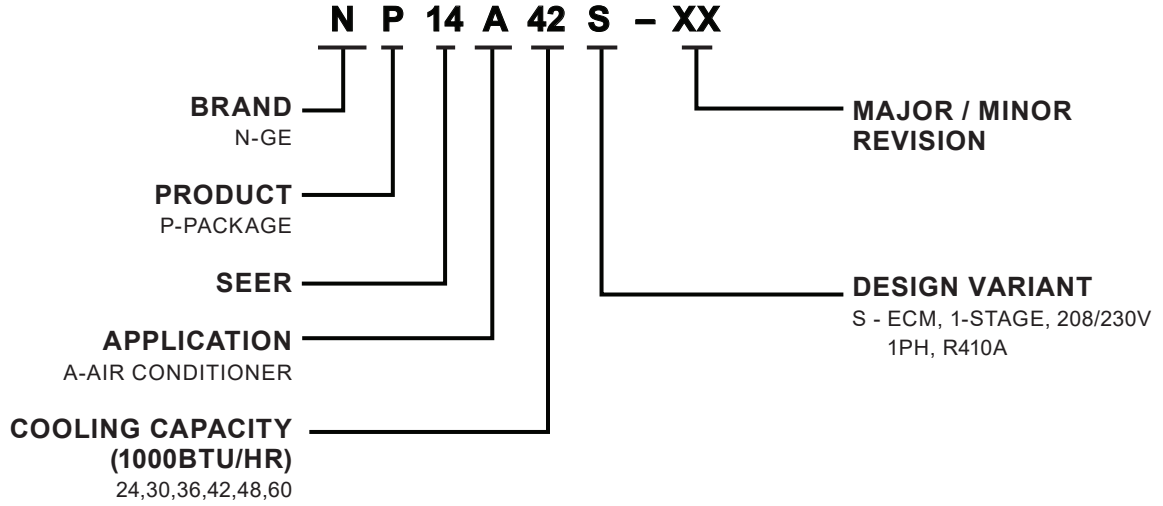
- Clip roof curbs and adjustable pitch roof curbs available
- Internal filter kits
- Electric strip heat with optional single point power entry (side entry only)
- Closure kit for base rail openings

### WARRANTY

See warranty document for details.



**MODEL NUMBER GUIDE**



**ELECTRICAL AND PHYSICAL DATA**

Model	Voltage	Phase	Hz	Min Volts @ 60 hz	MCA	Max Fuse/HACR Breaker	Compressor		Condenser Motor		Blower Motor		Refrig. Charge (oz.)	Weight (lbs.)
							RLA	LRA	RLA	HP	RLA	HP		
NP14A24S	208-230	1	60	197	14.40	20	8.60	43.5	1.0	1/6	2.80	1/3	72	367
NP14A30S					18.20	25	10.60	47			4.10	1/2	80	379
NP14A36S					22.70	35	15.70	72.2			4.10	1/2	87	387
NP14A42S					27.50	40	15.90	112.3	1.7	1/4	6.00	3/4	108	460
NP14A48S					28.70	45	16.90	94			6.00	3/4	115	461
NP14A60S					35.80	50	22.20	127.9			6.30	1	139	503

**RENDEMENT**

Model	Cooling					Sound dBA
	Rated AHRI Capacity Btuh	SEER	EER	Rated Sensible Capacity Btuh	CFM	
NP14A24S	22,600	14.0	11.0	17,400	800	77
NP14A30S	28,400			21,900	1000	79
NP14A36S	34,000			26,100	1200	78
NP14A42S	40,000			30,800	1400	
NP14A48S	45,500			35,000	1600	77
NP14A60S	57,000			41,600	1800	78

\*Certified in accordance with Unitary Air Conditioner Certification Program, which is based on AHRI Standard 210/240

**BLOWER PERFORMANCE**

Model	Blower Tap	CFM @ ext. Static Pressure in in. wc without filter, dry coil									
		0.1	0.2	0.3	0.4	0.5	0.6	0.7	0.8	0.9	1.0
NP14A24S	TAP 1	610	560	525	485	430	0	0	0	0	0
	TAP 2	820	795	760	720	690	650	615	575	540	470
	TAP 3	950	920	880	850	820	800	760	720	680	625
NP14A30S	TAP 1	850	820	780	745	710	680	630	590	550	515
	TAP 2	1040	1000	970	935	900	875	845	815	770	735
	TAP 3	1175	1145	1115	1080	1050	1015	990	945	900	860
NP14A36S	TAP 1	850	800	750	700	645	600	550	480	435	0
	TAP 2	1245	1210	1175	1140	1100	1065	1025	975	920	845
	TAP 3	1400	1370	1335	1300	1265	1220	1180	1150	1060	875
NP14A42S	TAP 1	800	720	640	550	475	390	310	0	0	0
	TAP 2	1470	1410	1360	1300	1260	1210	1155	1095	1000	940
	TAP 3	1700	1650	1610	1575	1540	1480	1430	1390	1340	1210
NP14A48S	TAP 1	1145	1075	1000	930	850	790	740	670	570	490
	TAP 2	1675	1630	1600	1540	1490	1440	1390	1300	1230	1125
	TAP 3	1800	1770	1715	1690	1640	1610	1565	1500	1460	1380
NP14A60S	TAP 1	1400	1320	1260	1200	1120	1060	980	900	N/A	N/A
	TAP 2	1920	1870	1820	1770	1720	1670	1450	1360	N/A	N/A
	TAP 3	2235	2195	2165	2130	2090	2060	2025	1985	1960	1940

**COOLING PERFORMANCE - EXTENDED RATINGS**

Outdoor Model	Indoor Temp DB/ WB °F	Outdoor Temperature - DB °F														
		65°			82° / 67°			95° / 75°			105° / 85°			115° / 95°		
		Btuh	S/T	kW	Btuh	S/T	kW	Btuh	S/T	kW	Btuh	S/T	kW	Btuh	S/T	kW
NP14A24S	85 / 72	30,600	0.65	1.33	27,700	0.68	1.65	24,700	0.70	1.88	23,100	0.72	2.06	22,500	0.75	2.26
	80 / 67	27,900	0.71	1.35	25,500	0.74	1.65	22,600	0.77	1.88	21,200	0.79	2.06	20,700	0.82	2.25
	75 / 63	26,000	0.74	1.36	23,800	0.77	1.65	21,000	0.79	1.87	20,700	0.82	2.05	19,300	0.84	2.23
	75 / 57	23,800	1.00	1.39	22,100	1.00	1.64	20,700	1.00	1.87	19,600	1.00	2.04	18,500	1.00	2.22
NP14A30S	85 / 72	38,200	0.68	1.83	34,700	0.71	2.16	32,000	0.74	2.42	30,500	0.74	2.60	29,000	0.78	2.86
	80 / 67	35,200	0.75	1.76	32,300	0.78	2.11	28,400	0.75	2.34	28,100	0.84	2.57	25,100	0.80	2.74
	75 / 63	33,000	0.77	1.71	30,400	0.80	2.06	27,700	0.80	2.31	25,900	0.82	2.51	24,100	0.84	2.72
	75 / 57	29,900	1.00	1.66	28,300	1.00	2.01	26,600	1.00	2.29	25,200	1.00	2.49	23,700	1.00	2.70
NP14A36S	85 / 72	45,800	0.68	2.09	41,700	0.72	2.49	37,600	0.73	2.82	35,400	0.74	3.10	32,400	0.75	3.39
	80 / 67	40,800	0.75	2.10	38,500	0.75	2.51	34,400	0.79	2.81	33,200	0.84	3.09	30,500	0.85	3.38
	75 / 63	38,100	0.76	2.11	36,000	0.77	2.51	32,300	0.81	2.80	30,500	0.84	3.08	28,400	0.87	3.37
	75 / 57	35,200	1.00	2.14	33,600	1.00	2.50	30,700	1.00	2.80	29,200	1.00	3.07	27,400	1.00	3.36
NP14A42S	85 / 72	54,500	0.67	2.51	48,900	0.71	2.90	45,700	0.73	3.28	44,200	0.74	3.64	42,800	0.75	4.08
	80 / 67	50,100	0.74	2.52	45,100	0.78	2.91	40,000	0.77	3.28	38,400	0.79	3.64	35,700	0.80	4.05
	75 / 63	46,800	0.76	2.52	42,700	0.80	2.91	38,800	0.81	3.29	36,300	0.82	3.65	33,500	0.83	4.06
	75 / 57	42,500	1.00	2.53	39,700	1.00	2.93	37,100	1.00	3.30	35,100	1.00	3.66	33,100	1.00	4.07
NP14A48S	85 / 72	59,400	0.69	2.78	53,900	0.72	3.29	49,700	0.72	3.60	47,100	0.75	4.09	43,600	0.75	4.48
	80 / 67	54,600	0.75	2.80	49,900	0.77	3.30	46,000	0.80	3.71	42,900	0.80	4.07	40,000	0.81	4.47
	75 / 63	50,700	0.76	2.82	46,700	0.79	3.30	43,300	0.82	3.70	40,400	0.82	4.06	38,100	0.86	4.47
	75 / 57	47,200	1.00	2.83	43,800	1.00	3.29	41,000	1.00	3.70	39,000	1.00	4.06	36,900	1.00	4.47
NP14A60S	85 / 72	70,300	0.63	3.50	66,100	0.64	4.19	62,800	0.65	4.72	59,200	0.70	5.27	55,500	0.76	5.82
	80 / 67	65,700	0.69	3.47	61,000	0.71	4.08	57,400	0.73	4.69	54,300	0.78	5.24	51,200	0.83	5.78
	75 / 63	61,400	0.72	3.45	56,300	0.74	4.12	52,300	0.76	4.63	50,200	0.80	5.19	48,000	0.85	5.75
	75 / 57	54,500	1.00	3.42	50,100	1.00	4.09	50,100	1.00	4.09	46,700	1.00	5.17	45,900	1.00	5.73

## HEAT STRIP ELECTRICAL

Model	Heater	Unit Supply Voltage Single Phase	Input kW 240V	Circuit 1 240V		Circuit 2 240V		Single Circuit 240V		
				Ampacity	Breaker	Ampacity	Breaker	Ampacity	Breaker	
NP14A24S	5kW	240	5.00	29.50	30	-	-	29.50	30	
		208	3.80	26.10	30	-	-	26.10	30	
	7.5kW	240	7.50	42.60	45	-	-	42.60	45	
		208	5.60	37.40	40	-	-	37.40	40	
	10kW	240	10.00	55.60	60	-	-	55.60	60	
		208	7.50	48.60	50	-	-	48.60	50	
	15kW	240	15.00	-	-	-	-	-	-	
		208	11.30	-	-	-	-	-	-	
	20kW	240	20.00	-	-	-	-	-	-	
		208	15.00	-	-	-	-	-	-	
	NP14A30S	5kW	240	5.00	31.20	35	-	-	31.20	35
			208	3.80	27.70	30	-	-	27.70	30
7.5kW		240	7.50	44.20	45	-	-	44.20	45	
		208	5.60	39.00	40	-	-	39.00	40	
10kW		240	10.00	57.20	60	-	-	57.20	60	
		208	7.50	50.30	60	-	-	50.30	60	
15kW		240	15.00	57.20	60	26.00	30	83.30	90	
		208	11.30	50.30	60	22.60	25	72.80	80	
20kW		240	20.00	-	-	-	-	-	-	
		208	15.00	-	-	-	-	-	-	
NP14A36S		5kW	240	5.00	31.20	35	-	-	31.20	35
			208	3.80	27.70	30	-	-	27.70	35
	7.5kW	240	7.50	44.20	45	-	-	44.20	45	
		208	5.60	39.00	40	-	-	39.00	40	
	10kW	240	10.00	57.20	60	-	-	57.20	60	
		208	7.50	50.30	60	-	-	50.30	60	
	15kW	240	15.00	57.20	60	26.00	30	83.30	90	
		208	11.30	50.30	60	22.60	25	72.80	80	
	20kW	240	20.00	-	-	-	-	-	-	
		208	15.00	-	-	-	-	-	-	
	NP14A42S	5kW	240	5.00	33.50	35	-	-	33.50	40
			208	3.80	30.10	35	-	-	30.10	40
7.5kW		240	7.50	46.60	50	-	-	46.60	50	
		208	5.60	41.40	45	-	-	41.40	45	
10kW		240	10.00	59.60	60			59.60	60	
		208	7.50	52.60	60			52.60	60	
15kW		240	15.00	59.60	60	26.00	30	85.60	90	
		208	11.30	52.60	60	22.60	25	75.20	80	
20kW		240	20.00	59.60	60	52.10	60	111.70	125	
		208	15.00	52.60	60	45.10	50	97.80	100	

**HEAT STRIP ELECTRICAL**

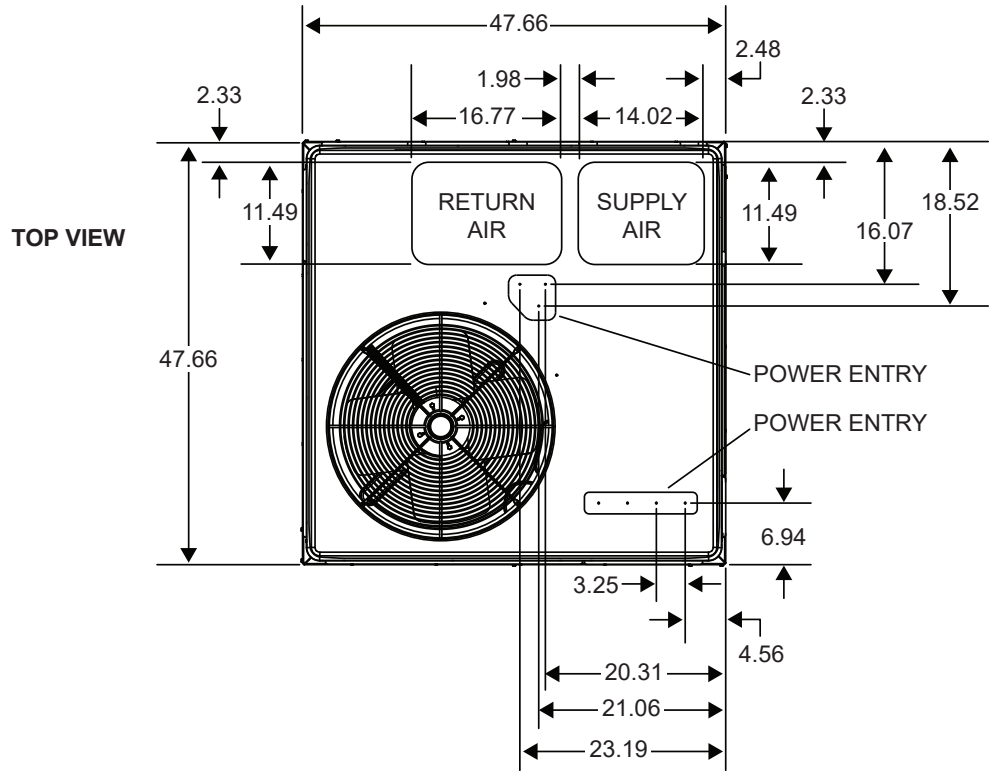
Model	Heater	Unit Supply Voltage Single Phase	Input kW 240V	Circuit 1 240V		Circuit 2 240V		Single Circuit 240V		
				Ampacity	Breaker	Ampacity	Breaker	Ampacity	Breaker	
NP14A48S	5kW	240	5.00	33.50	35			33.50	45	
		208	3.80	30.10	35			30.10	45	
	7.5kW	240	7.50	46.60	50			46.60	50	
		208	5.60	41.40	45			41.40	45	
	10kW	240	10.00	59.60	60			59.60	60	
		208	7.50	52.60	60			52.60	60	
	15kW	240	15.00	59.60	60	26.00	30	85.60	90	
		208	11.30	52.60	60	22.60	25	75.20	80	
	20kW	240	20.00	59.60	60	52.10	60	111.70	125	
		208	15.00	52.60	60	45.10	50	97.80	100	
	NP14A60S	5kW	240	5.00	35.50	40	-	-	38.90	60
			208	3.80	32.10	35	-	-	38.90	60
7.5kW		240	7.50	48.60	50	-	-	48.60	60	
		208	5.60	43.40	45	-	-	43.40	60	
10kW		240	10.00	61.60	70	-	-	61.60	70	
		208	7.50	54.60	60	-	-	54.60	60	
15kW		240	15.00	61.60	70	26.00	30	87.60	90	
		208	11.30	54.60	60	22.60	25	77.20	80	
20kW		240	20.00	61.60	70	52.10	60	113.70	125	
		208	15.00	54.60	60	45.10	50	99.80	100	

**DIMENSIONS (IN.) - SMALL BASE**

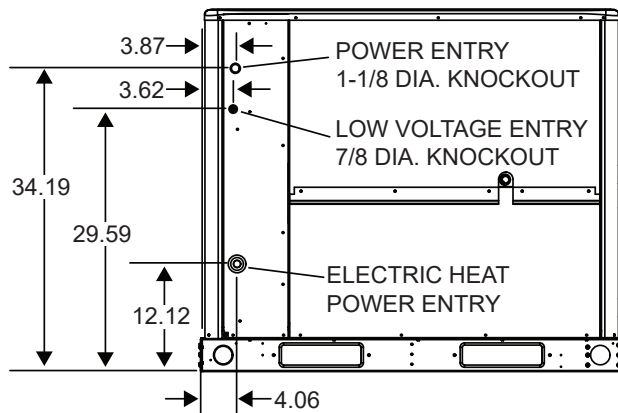
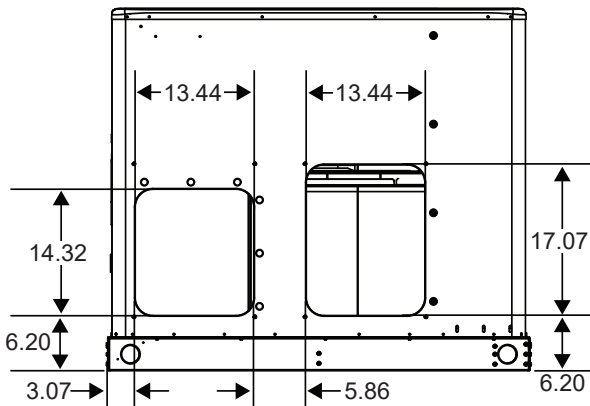
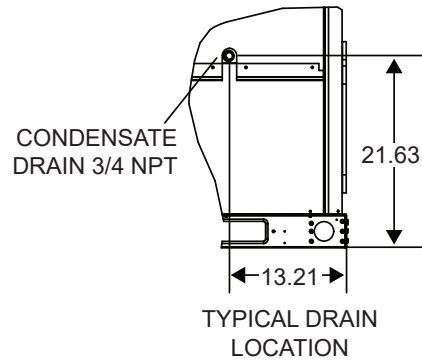
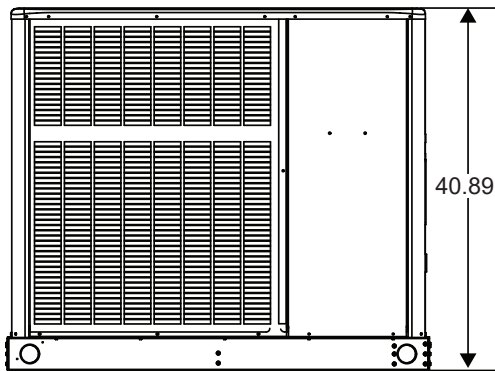
NP14A24

NP14A30

NP14A36



**SIDE VIEWS**

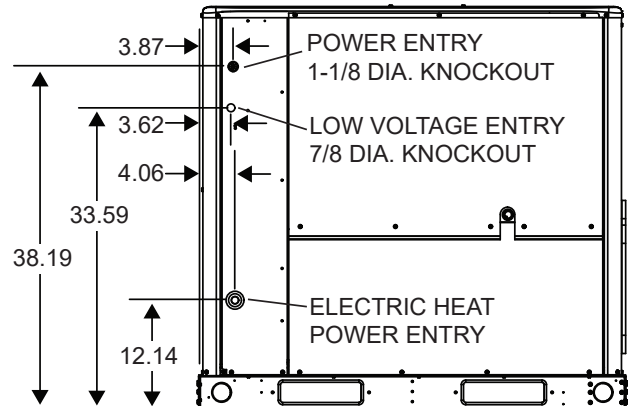
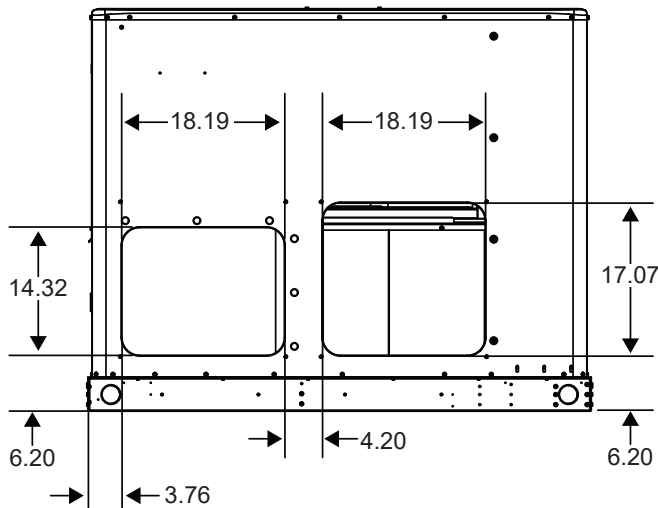
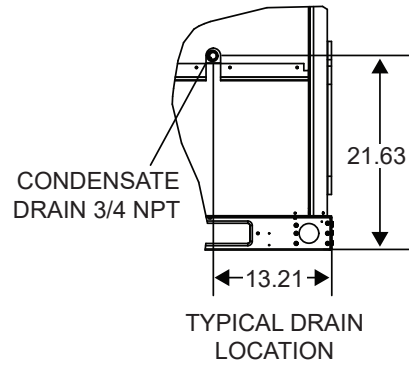
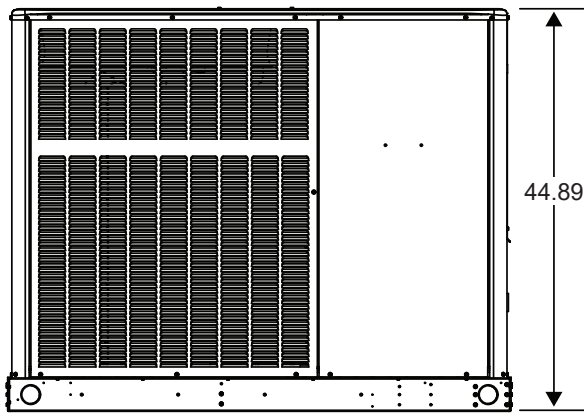
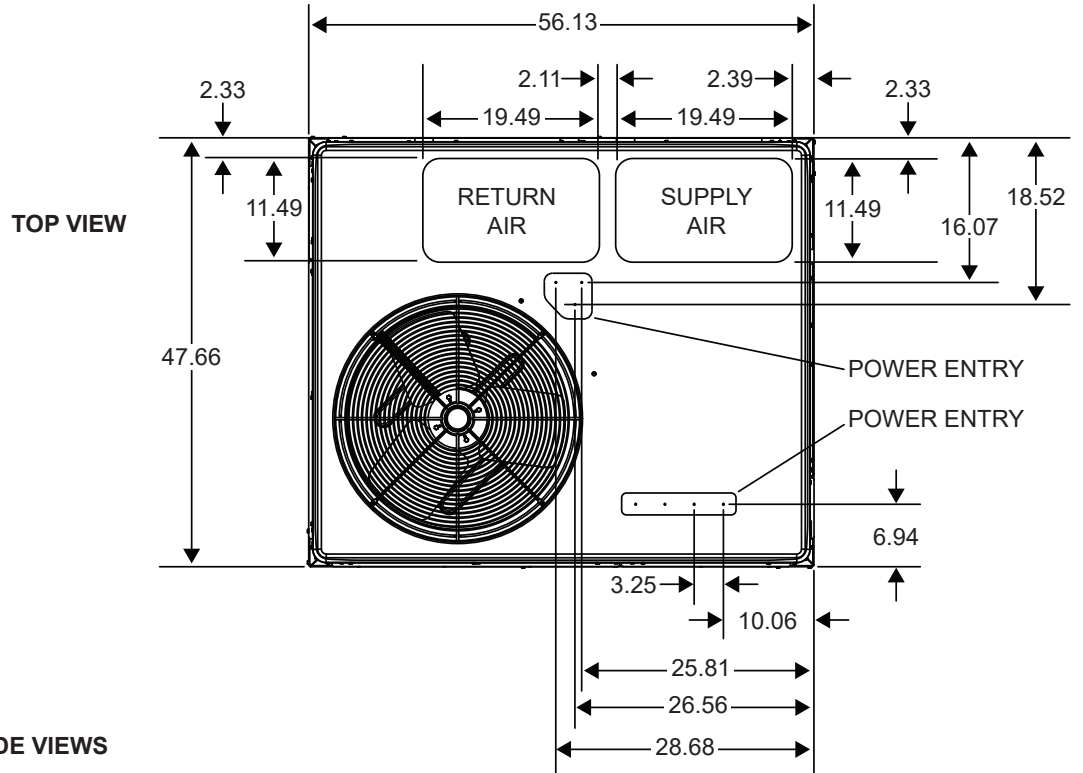


**DIMENSIONS (IN.) - LARGE BASE**

NP14A42

NP14A48

NP14A60

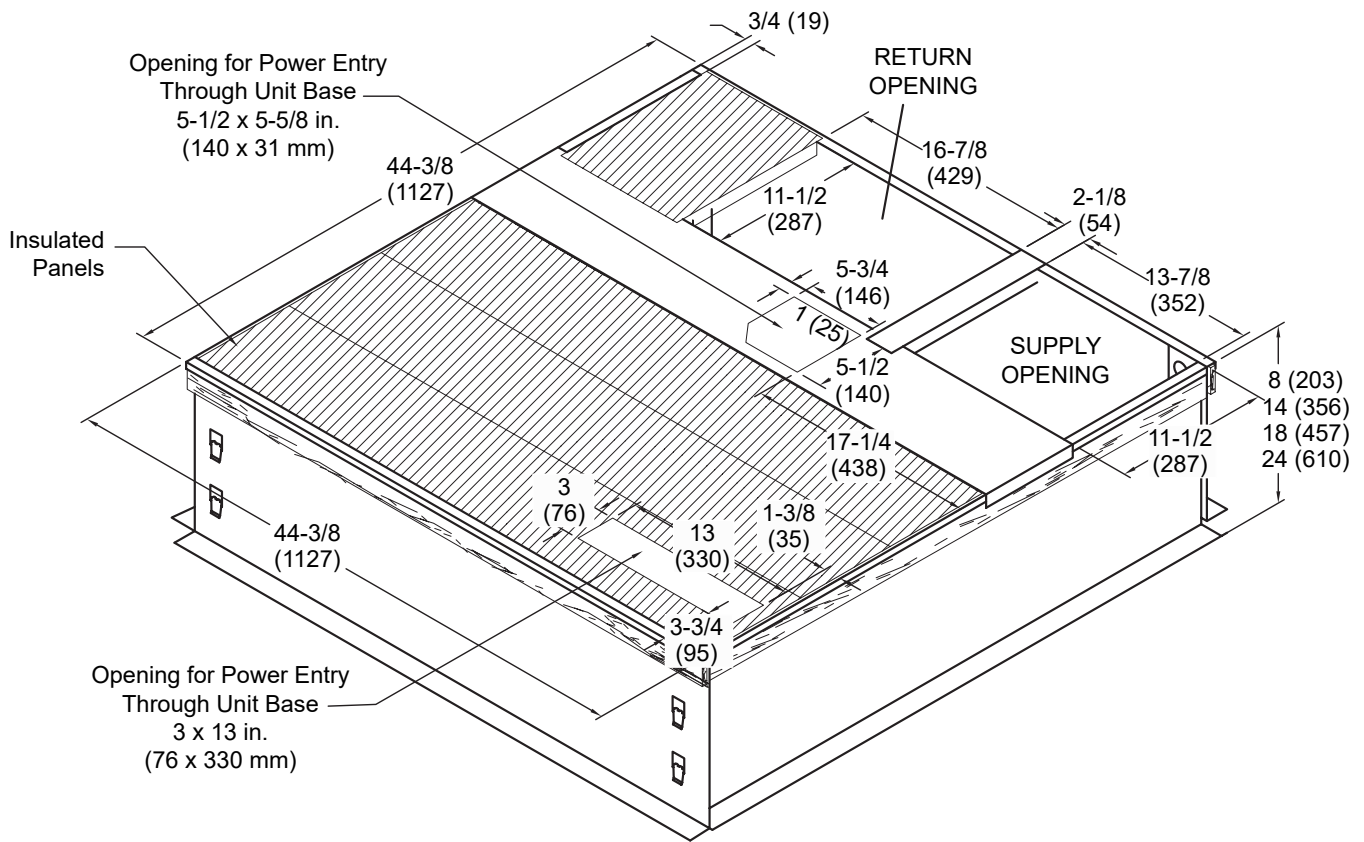


## ROOF CURB DIMENSIONS - SMALL BASE

NP14A24

NP14A30

NP14A36



**NOTE** - Roof deck may be omitted within confines of curb.

**NOTE** - All Curbs:

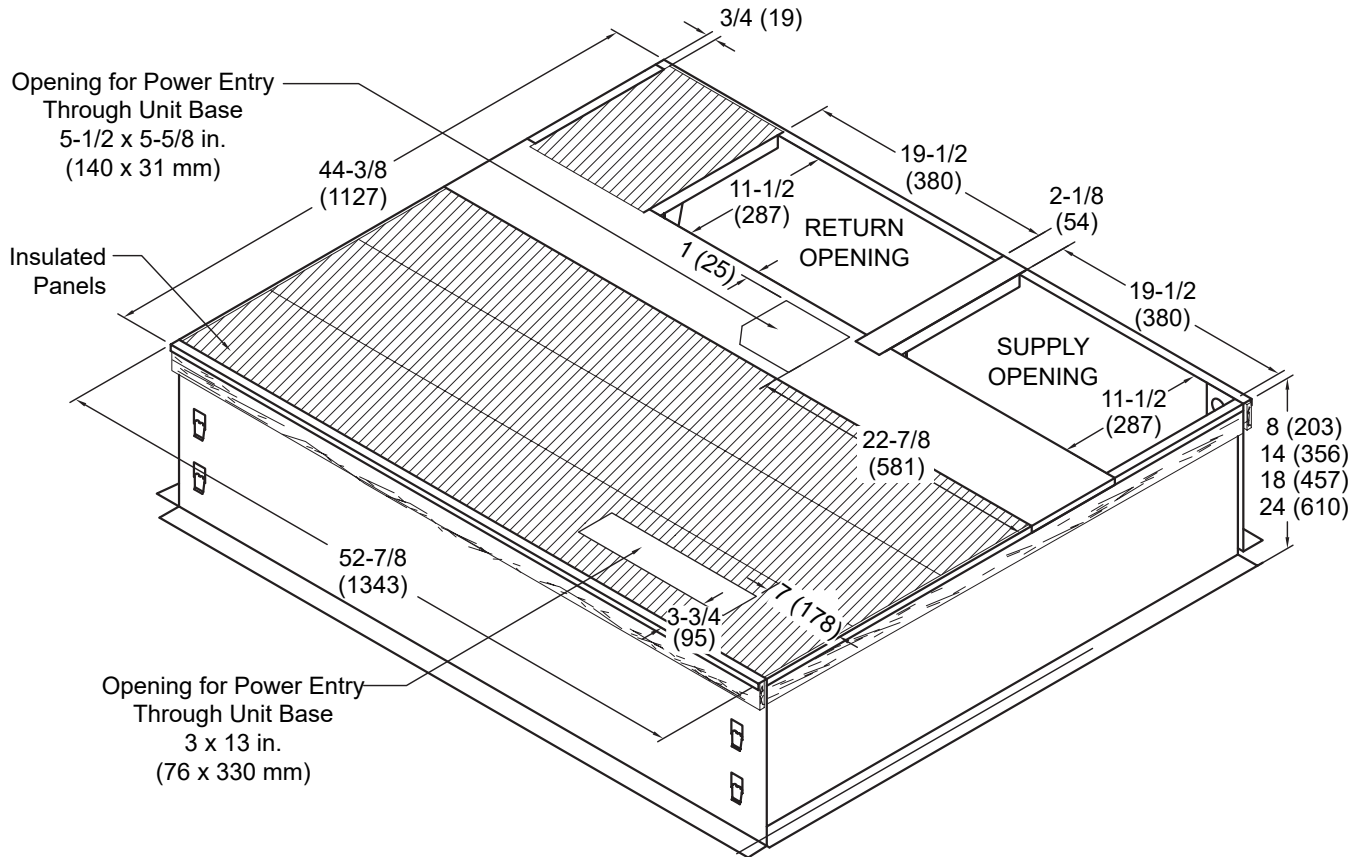
- IBC 2018 compliant
- CBC 2019 compliant
- Seismic rating - SDS 2.0g, z/h=1, Ip=1.5
- Wind rating - 240 mph (Lateral), 214 mph (Uplift)
- Maximum load rating - 800 lbs.
- Tool-less filter access panels NOT for seismic-rated applications

## ROOF CURB DIMENSIONS - LARGE BASE

NP14A42

NP14A48

NP14A60



**NOTE** - Roof deck may be omitted within confines of curb.

**NOTE** - All Curbs:

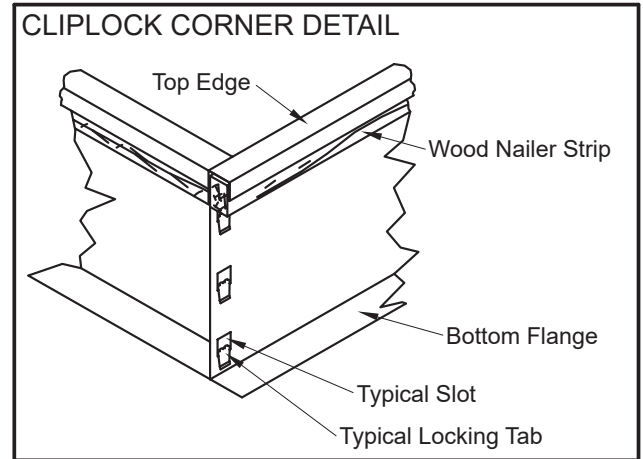
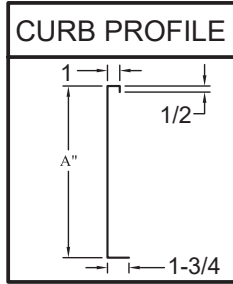
- IBC 2018 compliant
- CBC 2019 compliant
- Seismic rating - SDS 2.0g, z/h=1, Ip=1.5
- Wind rating - 240 mph (Lateral), 214 mph (Uplift)
- Maximum load rating - 800 lbs.
- Tool-less filter access panels NOT for seismic-rated applications

**ADJUSTABLE CURB (KNOCK-DOWN STYLE) DIMENSIONS - SMALL BASE**

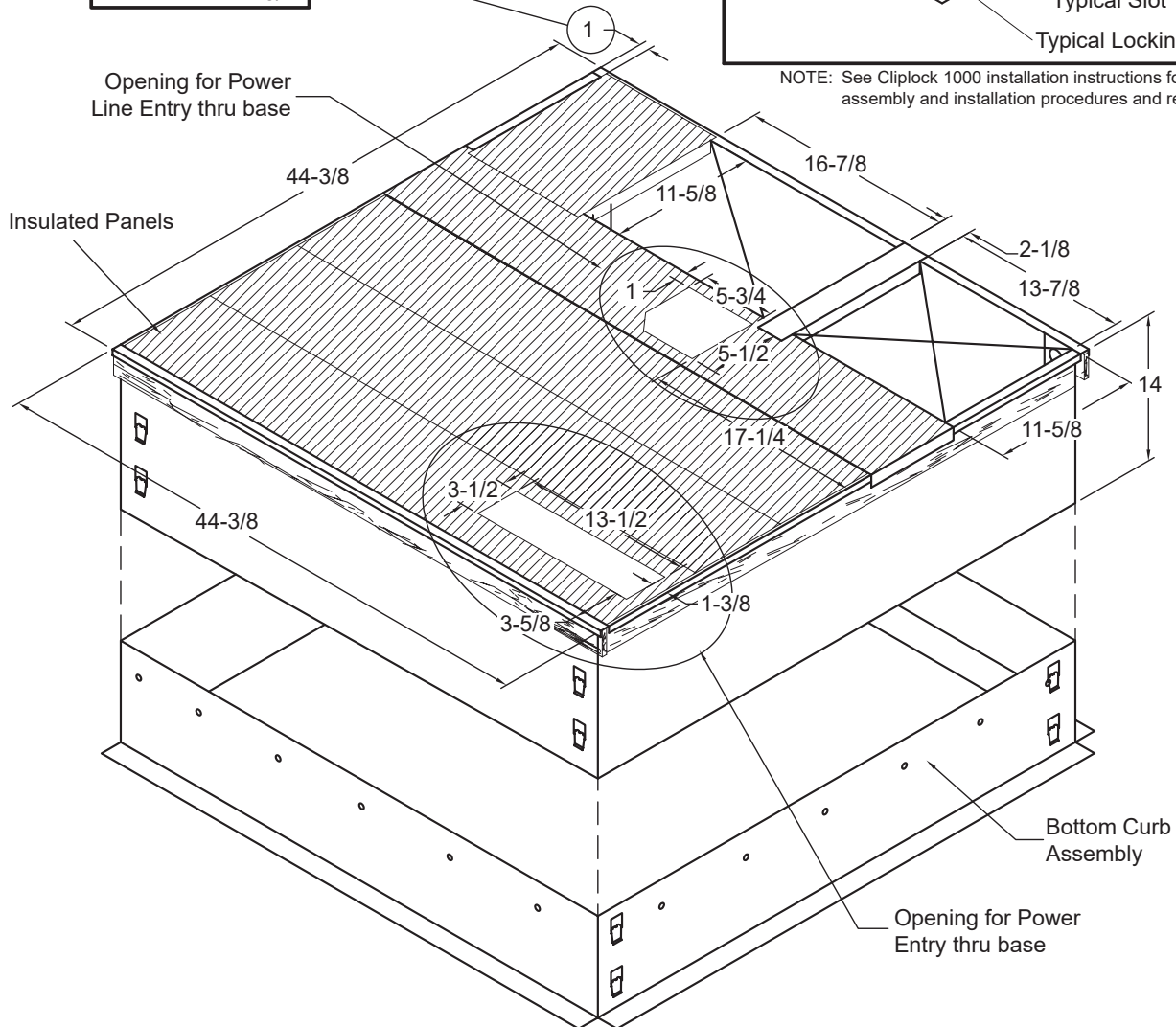
NP14A24

NP14A30

NP14A36



NOTE: See Cliplock 1000 installation instructions for complete assembly and installation procedures and requirements.



**NOTE** - Roof deck may be omitted within confines of curb.

**NOTE** - All Curbs:

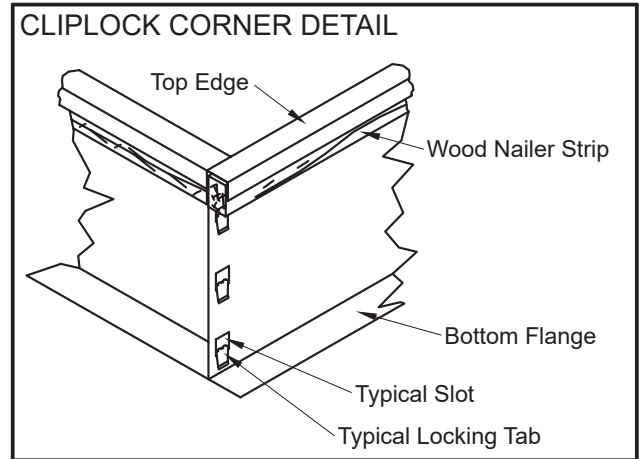
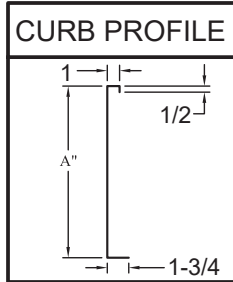
- IBC 2018 compliant
- CBC 2019 compliant
- Seismic rating - SDS 2.0g, z/h=1, Ip=1.5
- Wind rating - 240 mph (Lateral), 214 mph (Uplift)
- Maximum load rating - 800 lbs.
- Tool-less filter access panels NOT for seismic-rated applications

**ADJUSTABLE CURB (KNOCK-DOWN STYLE) DIMENSIONS - LARGE BASE**

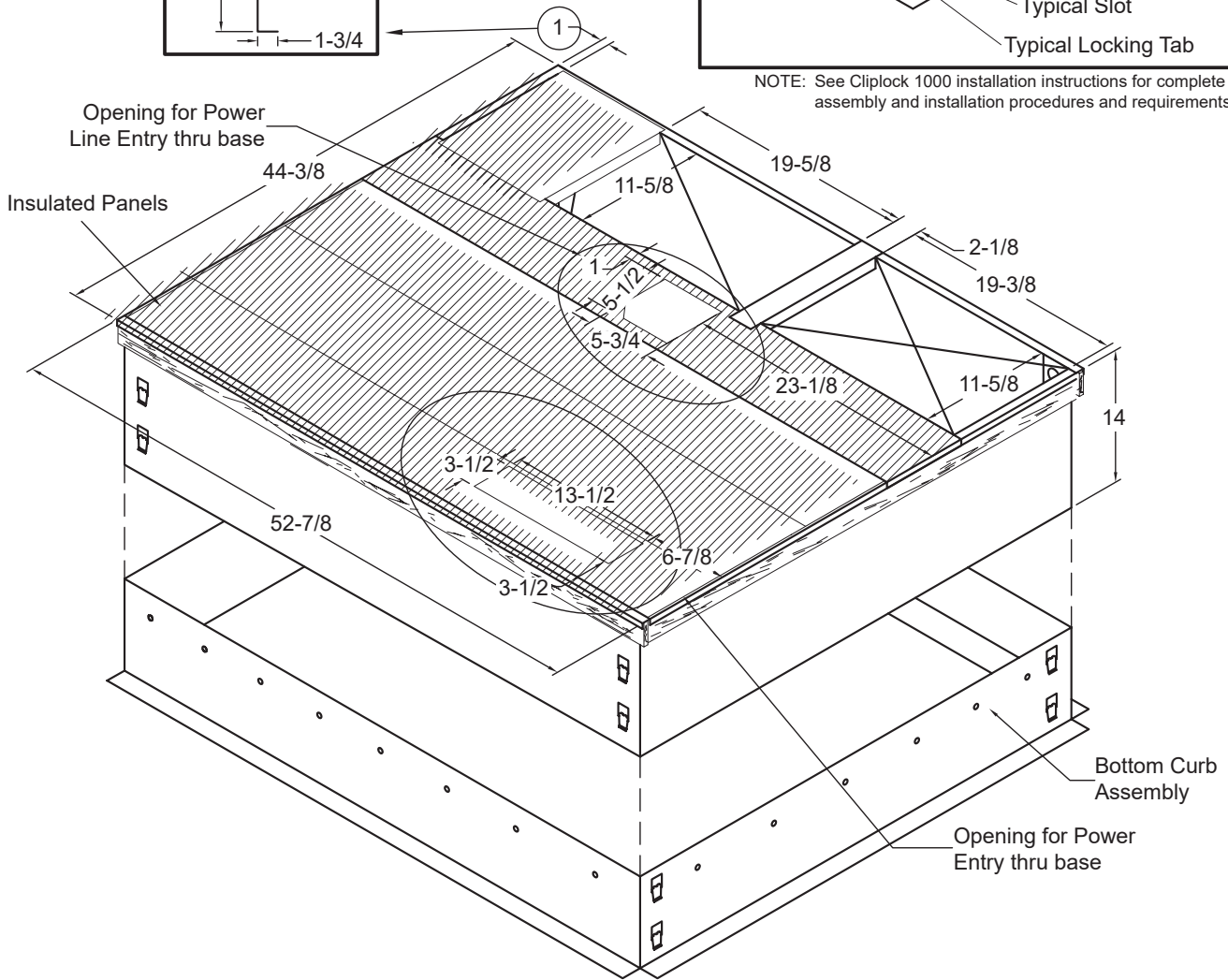
NP14A42

NP14A48

NP14A60



NOTE: See Cliplock 1000 installation instructions for complete assembly and installation procedures and requirements.



**NOTE** - Roof deck may be omitted within confines of curb.

**NOTE** - All Curbs:

- IBC 2018 compliant
- CBC 2019 compliant
- Seismic rating - SDS 2.0g, z/h=1, Ip=1.5
- Wind rating - 240 mph (Lateral), 214 mph (Uplift)
- Maximum load rating - 800 lbs.
- Tool-less filter access panels NOT for seismic-rated applications

**ACCESSORIES**

Description	Where Used	Kit Number
Compressor Crankcase Heater	All	11X27
Compressor Hard Start Kit	All	10J42
Low Ambient Kit	All	21D20 & 88M91
Internal Filter Rack Kit	24, 30, 36	11U73
	42, 48, 60	11U74
8" Height Full Perimeter Curb	24, 30, 36	21J13
	42, 48, 60	21J17
14" Height Full Perimeter Curb	24, 30, 36	21J14
	42, 48, 60	21J19
18" Height Full Perimeter Curb	24, 30, 36	21J15
	42, 48, 60	21J20
24" Height Full Perimeter Curb	24, 30, 36	21J16
	42, 48, 60	21J25
Adjustable Pitch Roof Curb (Knock-Down Style)	24, 30, 36	21J26
	42, 48, 60	21U04
Strapping Kit - Hurricane	RAIL	22C53
Strapping Kit - Hurricane	SLAB	21J74
Strapping Kit - Seismic	All	21J75
Bottom Power Entry Kit	All	21J78
Base Rail Openings - Closure Kit	All	21J84
Single Point Power - 5kW ASPWR813-1	All	13W88
Single Point Power - 7.5 kW ASPWR814-1	All	13W89
Single Point Power - 10kW ASPWR815-1	All	13W90
Single Point Power - 15-20kW ASPWR816-1	36, 42, 48, 60	13W91
Electric Heater 5kW - PHK05BP	All	10W47
Electric Heater 7.5kW - PHK07BP	All	10W48
Electric Heater 10kW - PHK10BP	All	10W49
Electric Heater 15kW - PHK15BP	36, 42, 48, 60	10W50
Electric Heater 20kW - PHK20BP	42, 48, 60	10W51





**GE APPLIANCES**  
*a Haier company*

All specifications and illustrations subject to change without notice and without incurring obligations.

Printed in the U.S.A.



**GE APPLIANCES**  
*a Haier company*

**Caractéristiques  
techniques du  
produit**

**NP14AS**

Unité autonome électrique / électrique  
à taux de rendement énergétique  
saisonnier d'indice 14



**LISEZ ET CONSERVEZ CES  
INSTRUCTIONS**

# NP14AS

## CARACTÉRISTIQUES TECHNIQUES DU PRODUIT

---

### **SYSTÈME DE RÉFRIGÉRANT**

- Réfrigérant R410A écologique
- Tubes en cuivre avec serpentins à ailettes améliorées
- Orifices de jauge de service interne
- Tubes de distribution à manchon
- Bac de vidange isolé antimicrobien
- Pressostats filetés pression haute/basse pour la protection du système

### **CONSTRUCTION DE LA CARROSSERIE**

- Profilés de base en acier galvanisé de calibre robuste avec trous de gréement
- Coins arrondis pour la sécurité et un aspect attrayant et propre
- Conception de la base en une seule pièce pour la résistance et la stabilité
- Orifices d'évacuation du condensat et du ruissellement des serpentins évacués vers le périmètre de l'appareil
- Ouvertures des conduits horizontaux et descendants bridées pour minimiser l'infiltration d'eau
- Profil bas avec encombrement compact
- Isolation pour minimiser la perte de chaleur et réduire le son
- Fini de carrosserie en acier prépeint texturé
- Accès de service supérieur aux composants
- Protection du serpentins à persiennes
- Conception en une seule pièce du dessus pour éliminer les fuites

### **SOUFFLANTE**

- Compartiment isolé pour réduire le son
- Moteur à couple constant efficace pour une large plage de débit d'air
- Boîtier de soufflante coulissant pour faciliter l'entretien ou la réparation

### **INSTALLATION**

- Capacité de décharge horizontale ou descendante
- Couvercles de conduits horizontaux et descendants fournis avec l'appareil pour la flexibilité d'installation
- Interrupteur à flotteur qui surveille le niveau de condensat dans le plateau de vidange et arrête l'appareil si la vidange est obstruée
- Raccords des services publics du « bon côté »
- Trousses qui permettent l'entrée du gaz et de l'électricité par le plateau de base
- Certification sismique (avec installation de la trousse de cerclage sismique) : dernière édition du Code international du bâtiment, du Code du bâtiment de Californie et de la norme ASCE 7-16

# NP14AS

## CARACTÉRISTIQUES TECHNIQUES DU PRODUIT

---

### ACCESSOIRES

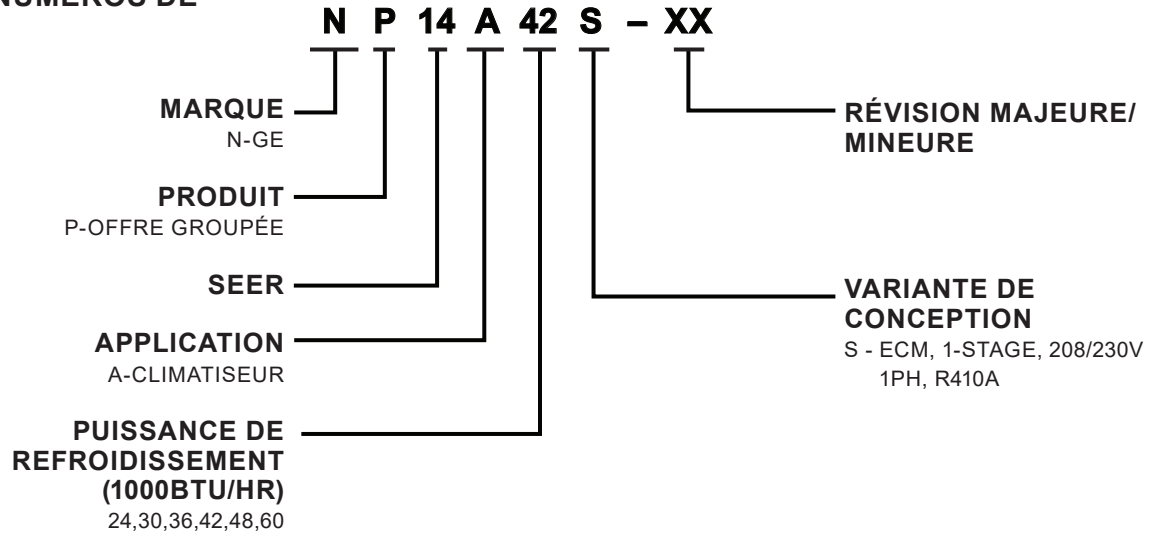
- Rebords de toit encliquetables et à pas ajustables disponibles
- Trousses de filtres internes
- Élément chauffant auxiliaire avec entrée d'alimentation à point unique en option (entrée latérale uniquement)
- Trousse de fermeture des ouvertures des profilés de base

### GARANTIE

Voir le document de garantie pour plus de détails.



**GUIDE DES NUMÉROS DE MODÈLE**



**DONNÉES ÉLECTRIQUES ET PHYSIQUES**

Modèle	Tension	Phase	Hz	Volts min. à 60 Hz	MCA	Fusible max /disjoncteur HACR	Compresseur		Moteur du condenseur		Moteur de l'échappement		Charge de réf. (oz)	Poids (lb)
							RLA	LRA	RLA	HP	RLA	HP		
NP14A24S	208-230	1	60	197	14.40	20	8.60	43.5	1.0	1/6	2.80	1/3	72	367
NP14A30S					18.20	25	10.60	47			4.10	1/2	80	379
NP14A36S					22.70	35	15.70	72.2			4.10	1/2	87	387
NP14A42S					27.50	40	15.90	112.3	1.7	1/4	6.00	3/4	108	460
NP14A48S					28.70	45	16.90	94			6.00	3/4	115	461
NP14A60S					35.80	50	22.20	127.9			6.30	1	139	503

**RENDEMENT**

Modèle	Refroidissement					Son dBA
	Puissance AHRI nominale (Btu/Hr)	SEER	EER	Puissance sensible nominale (Btu/Hr)	CFM	
NP14A24S	22,600	14.0	11.0	17,400	800	77
NP14A30S	28,400			21,900	1000	79
NP14A36S	34,000			26,100	1200	78
NP14A42S	40,000			30,800	1400	
NP14A48S	45,500			35,000	1600	77
NP14A60S	57,000			41,600	1800	78

\*Certifié conformément au Programme de certification des climatiseurs autonomes, sur la base de la norme 210/240 de l'AHRI.

## RENDEMENT DE LA SOUFFLANTE

Modèle	Prise pour soufflante	pi.cu @ ext. - Pression statique en pouces d'eau sans filtre, serpentín sec									
		0.1	0.2	0.3	0.4	0.5	0.6	0.7	0.8	0.9	1.0
NP14A24S	TAP 1	610	560	525	485	430	0	0	0	0	0
	TAP 2	820	795	760	720	690	650	615	575	540	470
	TAP 3	950	920	880	850	820	800	760	720	680	625
NP14A30S	TAP 1	850	820	780	745	710	680	630	590	550	515
	TAP 2	1040	1000	970	935	900	875	845	815	770	735
	TAP 3	1175	1145	1115	1080	1050	1015	990	945	900	860
NP14A36S	TAP 1	850	800	750	700	645	600	550	480	435	0
	TAP 2	1245	1210	1175	1140	1100	1065	1025	975	920	845
	TAP 3	1400	1370	1335	1300	1265	1220	1180	1150	1060	875
NP14A42S	TAP 1	800	720	640	550	475	390	310	0	0	0
	TAP 2	1470	1410	1360	1300	1260	1210	1155	1095	1000	940
	TAP 3	1700	1650	1610	1575	1540	1480	1430	1390	1340	1210
NP14A48S	TAP 1	1145	1075	1000	930	850	790	740	670	570	490
	TAP 2	1675	1630	1600	1540	1490	1440	1390	1300	1230	1125
	TAP 3	1800	1770	1715	1690	1640	1610	1565	1500	1460	1380
NP14A60S	TAP 1	1400	1320	1260	1200	1120	1060	980	900	N/A	N/A
	TAP 2	1920	1870	1820	1770	1720	1670	1450	1360	N/A	N/A
	TAP 3	2235	2195	2165	2130	2090	2060	2025	1985	1960	1940

## RENDEMENT DU REFROIDISSEMENT – VALEURS NOMINALES ÉTENDUES

Modèle extérieur	Temp. Int. DB/WB °F	Temp. ext. - DB °F														
		65°			82° / 67°			95° / 75°			105° / 85°			115° / 95°		
		Btuh	S/T	kW	Btuh	S/T	kW	Btuh	S/T	kW	Btuh	S/T	kW	Btuh	S/T	kW
NP14A24S	85 / 72	30,600	0.65	1.33	27,700	0.68	1.65	24,700	0.70	1.88	23,100	0.72	2.06	22,500	0.75	2.26
	80 / 67	27,900	0.71	1.35	25,500	0.74	1.65	22,600	0.77	1.88	21,200	0.79	2.06	20,700	0.82	2.25
	75 / 63	26,000	0.74	1.36	23,800	0.77	1.65	21,000	0.79	1.87	20,700	0.82	2.05	19,300	0.84	2.23
	75 / 57	23,800	1.00	1.39	22,100	1.00	1.64	20,700	1.00	1.87	19,600	1.00	2.04	18,500	1.00	2.22
NP14A30S	85 / 72	38,200	0.68	1.83	34,700	0.71	2.16	32,000	0.74	2.42	30,500	0.74	2.60	29,000	0.78	2.86
	80 / 67	35,200	0.75	1.76	32,300	0.78	2.11	28,400	0.75	2.34	28,100	0.84	2.57	25,100	0.80	2.74
	75 / 63	33,000	0.77	1.71	30,400	0.80	2.06	27,700	0.80	2.31	25,900	0.82	2.51	24,100	0.84	2.72
	75 / 57	29,900	1.00	1.66	28,300	1.00	2.01	26,600	1.00	2.29	25,200	1.00	2.49	23,700	1.00	2.70
NP14A36S	85 / 72	45,800	0.68	2.09	41,700	0.72	2.49	37,600	0.73	2.82	35,400	0.74	3.10	32,400	0.75	3.39
	80 / 67	40,800	0.75	2.10	38,500	0.75	2.51	34,400	0.79	2.81	33,200	0.84	3.09	30,500	0.85	3.38
	75 / 63	38,100	0.76	2.11	36,000	0.77	2.51	32,300	0.81	2.80	30,500	0.84	3.08	28,400	0.87	3.37
	75 / 57	35,200	1.00	2.14	33,600	1.00	2.50	30,700	1.00	2.80	29,200	1.00	3.07	27,400	1.00	3.36
NP14A42S	85 / 72	54,500	0.67	2.51	48,900	0.71	2.90	45,700	0.73	3.28	44,200	0.74	3.64	42,800	0.75	4.08
	80 / 67	50,100	0.74	2.52	45,100	0.78	2.91	40,000	0.77	3.28	38,400	0.79	3.64	35,700	0.80	4.05
	75 / 63	46,800	0.76	2.52	42,700	0.80	2.91	38,800	0.81	3.29	36,300	0.82	3.65	33,500	0.83	4.06
	75 / 57	42,500	1.00	2.53	39,700	1.00	2.93	37,100	1.00	3.30	35,100	1.00	3.66	33,100	1.00	4.07
NP14A48S	85 / 72	59,400	0.69	2.78	53,900	0.72	3.29	49,700	0.72	3.60	47,100	0.75	4.09	43,600	0.75	4.48
	80 / 67	54,600	0.75	2.80	49,900	0.77	3.30	46,000	0.80	3.71	42,900	0.80	4.07	40,000	0.81	4.47
	75 / 63	50,700	0.76	2.82	46,700	0.79	3.30	43,300	0.82	3.70	40,400	0.82	4.06	38,100	0.86	4.47
	75 / 57	47,200	1.00	2.83	43,800	1.00	3.29	41,000	1.00	3.70	39,000	1.00	4.06	36,900	1.00	4.47
NP14A60S	85 / 72	70,300	0.63	3.50	66,100	0.64	4.19	62,800	0.65	4.72	59,200	0.70	5.27	55,500	0.76	5.82
	80 / 67	65,700	0.69	3.47	61,000	0.71	4.08	57,400	0.73	4.69	54,300	0.78	5.24	51,200	0.83	5.78
	75 / 63	61,400	0.72	3.45	56,300	0.74	4.12	52,300	0.76	4.63	50,200	0.80	5.19	48,000	0.85	5.75
	75 / 57	54,500	1.00	3.42	50,100	1.00	4.09	50,100	1.00	4.09	46,700	1.00	5.17	45,900	1.00	5.73

## ÉLÉMENT CHAUFFANT AUXILIAIRE

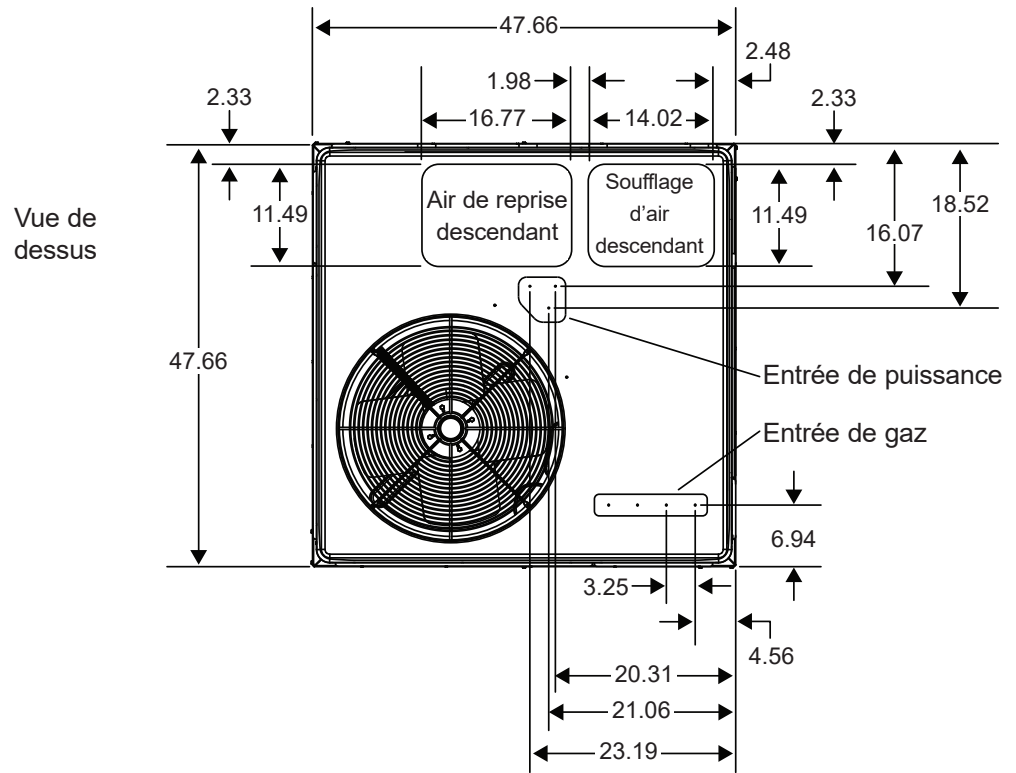
Modèle	Élément chauffant	Alimentation Tension monophasée	Entrée kW 240V	Circuit 1 240V		Circuit 2 240V		Single Circuit 240V	
				Intensité admissible	Disjoncteur	Intensité admissible	Disjoncteur	Intensité admissible	Disjoncteur
NP14A24S	5kW	240	5.00	29.50	30	-	-	29.50	30
		208	3.80	26.10	30	-	-	26.10	30
	7.5kW	240	7.50	42.60	45	-	-	42.60	45
		208	5.60	37.40	40	-	-	37.40	40
	10kW	240	10.00	55.60	60	-	-	55.60	60
		208	7.50	48.60	50	-	-	48.60	50
	15kW	240	15.00	-	-	-	-	-	-
		208	11.30	-	-	-	-	-	-
20kW	240	20.00	-	-	-	-	-	-	
	208	15.00	-	-	-	-	-	-	
NP14A30S	5kW	240	5.00	31.20	35	-	-	31.20	35
		208	3.80	27.70	30	-	-	27.70	30
	7.5kW	240	7.50	44.20	45	-	-	44.20	45
		208	5.60	39.00	40	-	-	39.00	40
	10kW	240	10.00	57.20	60	-	-	57.20	60
		208	7.50	50.30	60	-	-	50.30	60
	15kW	240	15.00	57.20	60	26.00	30	83.30	90
		208	11.30	50.30	60	22.60	25	72.80	80
20kW	240	20.00	-	-	-	-	-	-	
	208	15.00	-	-	-	-	-	-	
NP14A36S	5kW	240	5.00	31.20	35	-	-	31.20	35
		208	3.80	27.70	30	-	-	27.70	35
	7.5kW	240	7.50	44.20	45	-	-	44.20	45
		208	5.60	39.00	40	-	-	39.00	40
	10kW	240	10.00	57.20	60	-	-	57.20	60
		208	7.50	50.30	60	-	-	50.30	60
	15kW	240	15.00	57.20	60	26.00	30	83.30	90
		208	11.30	50.30	60	22.60	25	72.80	80
20kW	240	20.00	-	-	-	-	-	-	
	208	15.00	-	-	-	-	-	-	

## ÉLÉMENT CHAUFFANT AUXILIAIRE

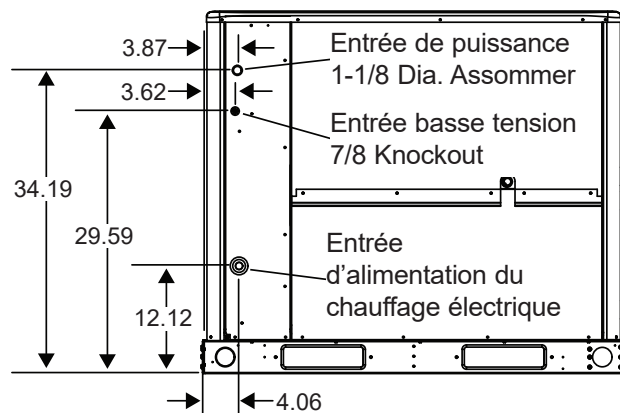
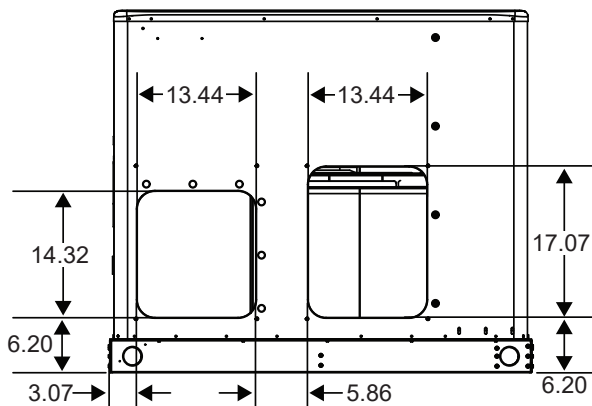
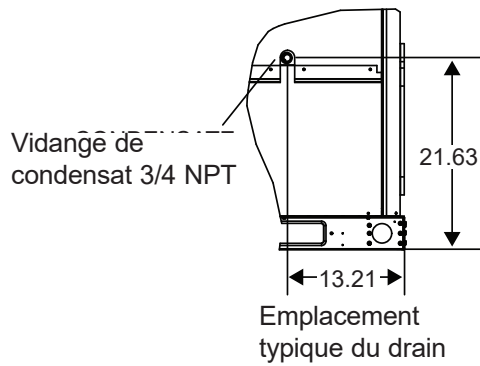
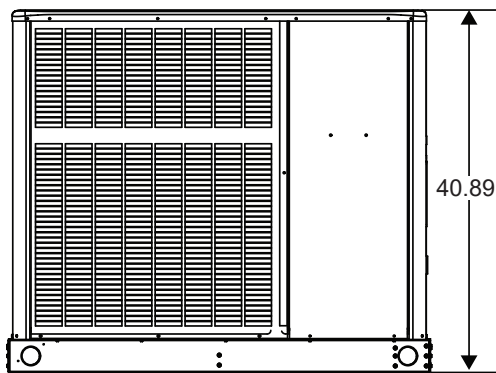
Modèle	Élément chauffant	Alimentation Tension monophasée	Entrée kW 240V	Circuit 1 240V		Circuit 2 240V		Single Circuit 240V		
				Intensité admissible	Disjoncteur	Intensité admissible	Disjoncteur	Intensité admissible	Disjoncteur	
NP14A42S	5kW	240	5.00	33.50	35	-	-	33.50	40	
		208	3.80	30.10	35	-	-	30.10	40	
	7.5kW	240	7.50	46.60	50	-	-	46.60	50	
		208	5.60	41.40	45	-	-	41.40	45	
	10kW	240	10.00	59.60	60			59.60	60	
		208	7.50	52.60	60			52.60	60	
	15kW	240	15.00	59.60	60	26.00	30	85.60	90	
		208	11.30	52.60	60	22.60	25	75.20	80	
	20kW	240	20.00	59.60	60	52.10	60	111.70	125	
		208	15.00	52.60	60	45.10	50	97.80	100	
	NP14A48S	5kW	240	5.00	33.50	35			33.50	45
			208	3.80	30.10	35			30.10	45
7.5kW		240	7.50	46.60	50			46.60	50	
		208	5.60	41.40	45			41.40	45	
10kW		240	10.00	59.60	60			59.60	60	
		208	7.50	52.60	60			52.60	60	
15kW		240	15.00	59.60	60	26.00	30	85.60	90	
		208	11.30	52.60	60	22.60	25	75.20	80	
20kW		240	20.00	59.60	60	52.10	60	111.70	125	
		208	15.00	52.60	60	45.10	50	97.80	100	
NP14A60S		5kW	240	5.00	35.50	40	-	-	38.90	60
			208	3.80	32.10	35	-	-	38.90	60
	7.5kW	240	7.50	48.60	50	-	-	48.60	60	
		208	5.60	43.40	45	-	-	43.40	60	
	10kW	240	10.00	61.60	70	-	-	61.60	70	
		208	7.50	54.60	60	-	-	54.60	60	
	15kW	240	15.00	61.60	70	26.00	30	87.60	90	
		208	11.30	54.60	60	22.60	25	77.20	80	
	20kW	240	20.00	61.60	70	52.10	60	113.70	125	
		208	15.00	54.60	60	45.10	50	99.80	100	

**DIMENSIONS (PO) – PETITE BASE :**

NP14A24  
NP14A30  
NP14A36

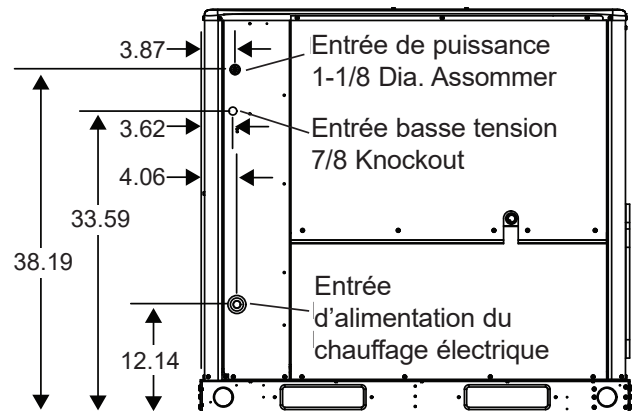
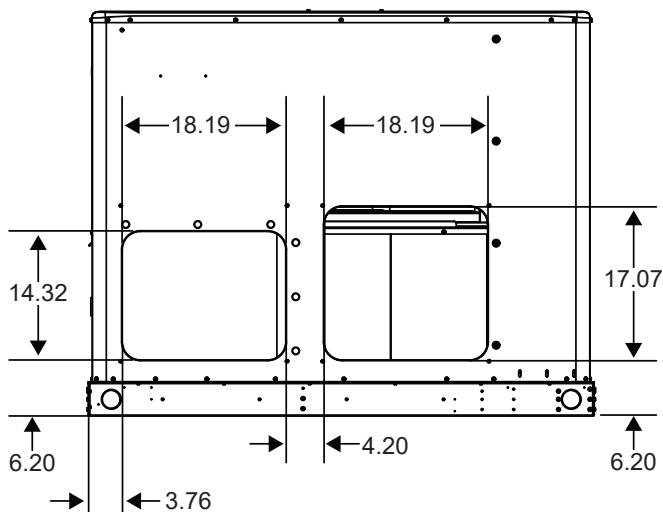
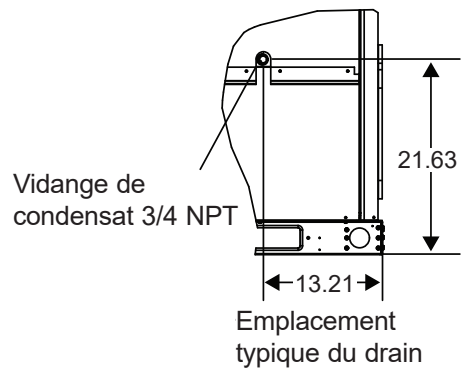
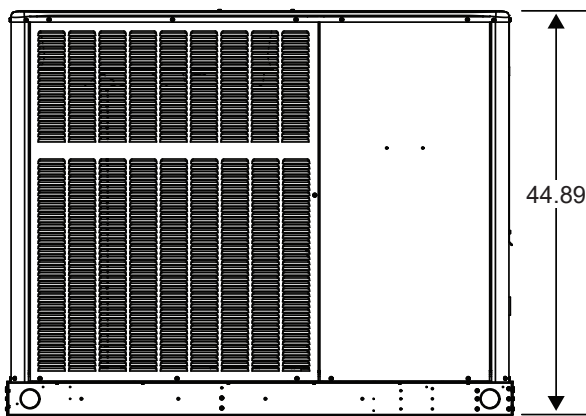
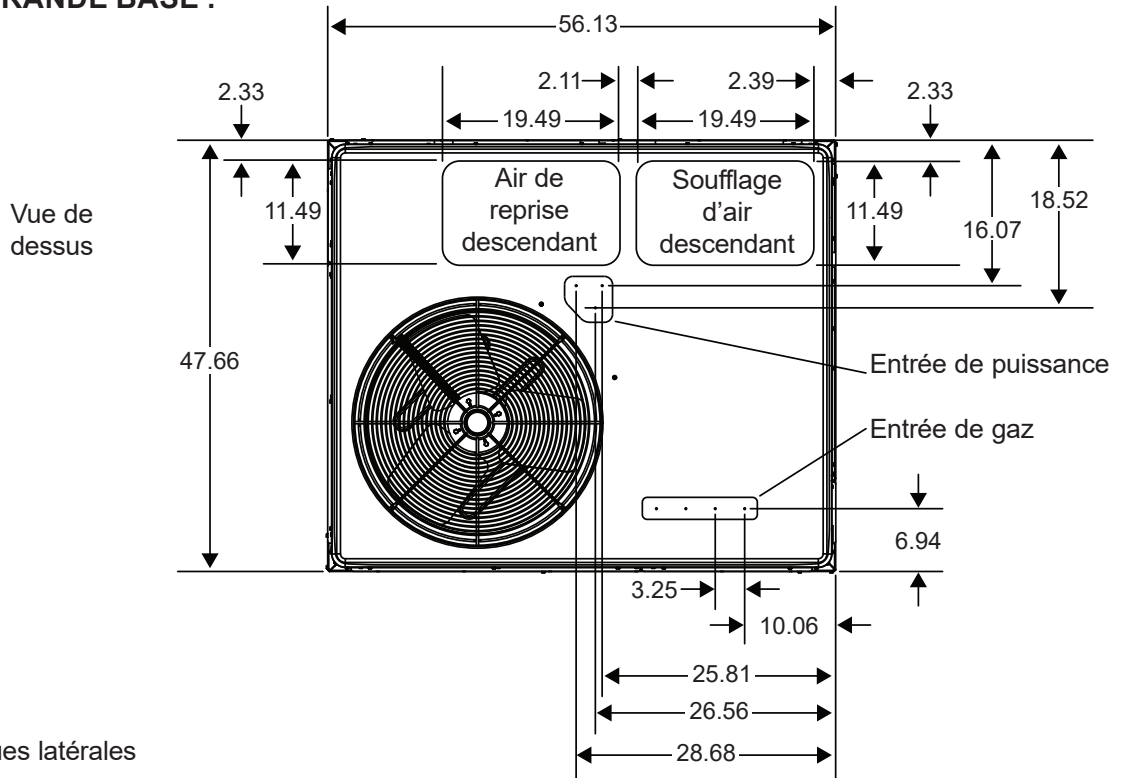


Vues latérales



**DIMENSIONS (PO) – GRANDE BASE :**

NP14A42  
NP14A48  
NP14A60

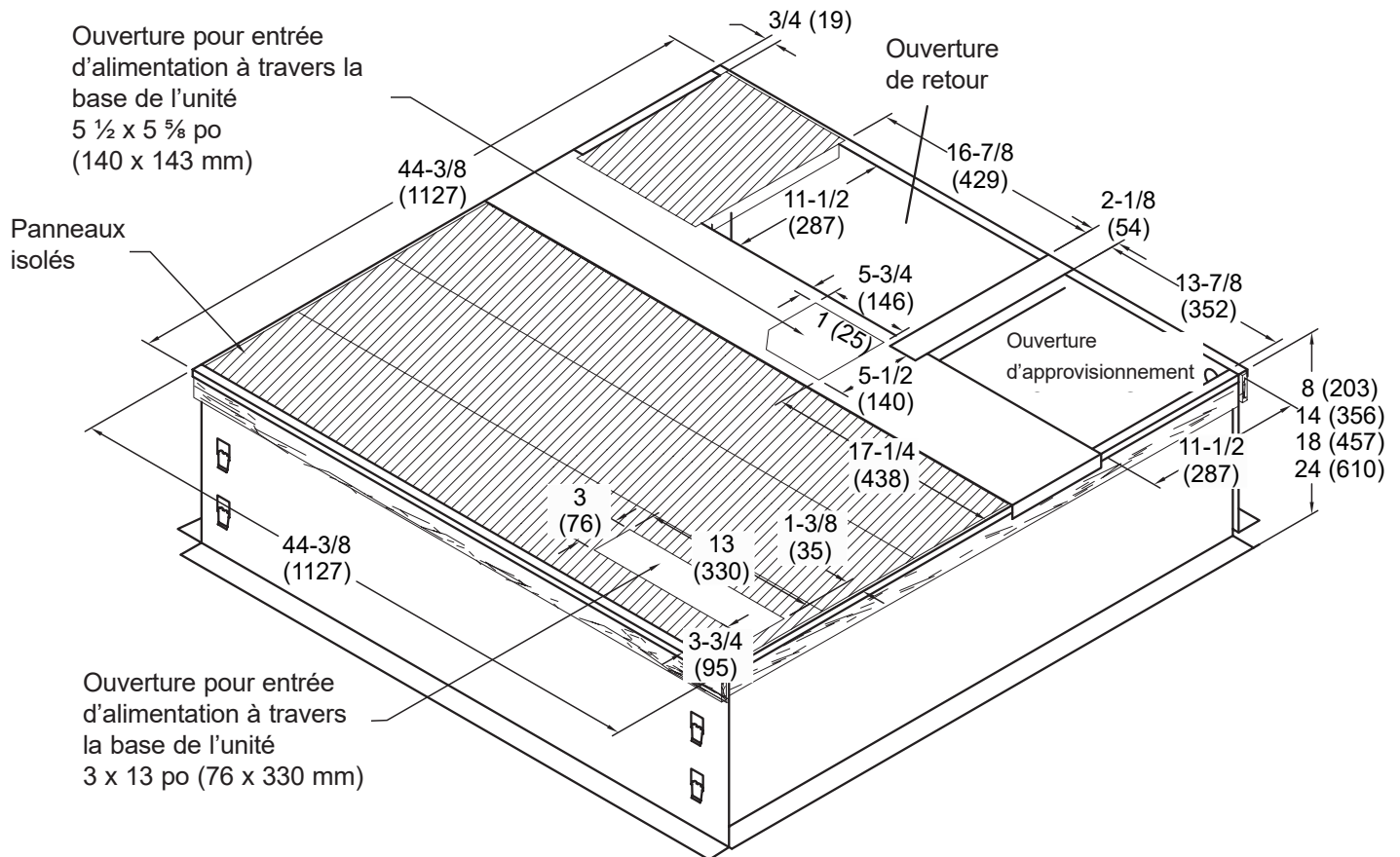


**DIMENSIONS DU REBORD DE TOIT - PETITE BASE :**

NP14A24

NP14A30

NP14A36



**REMARQUE** - Le platelage de toit peut être omis dans les limites du rebord de toit.

**REMARQUE** - Tous les rebords :

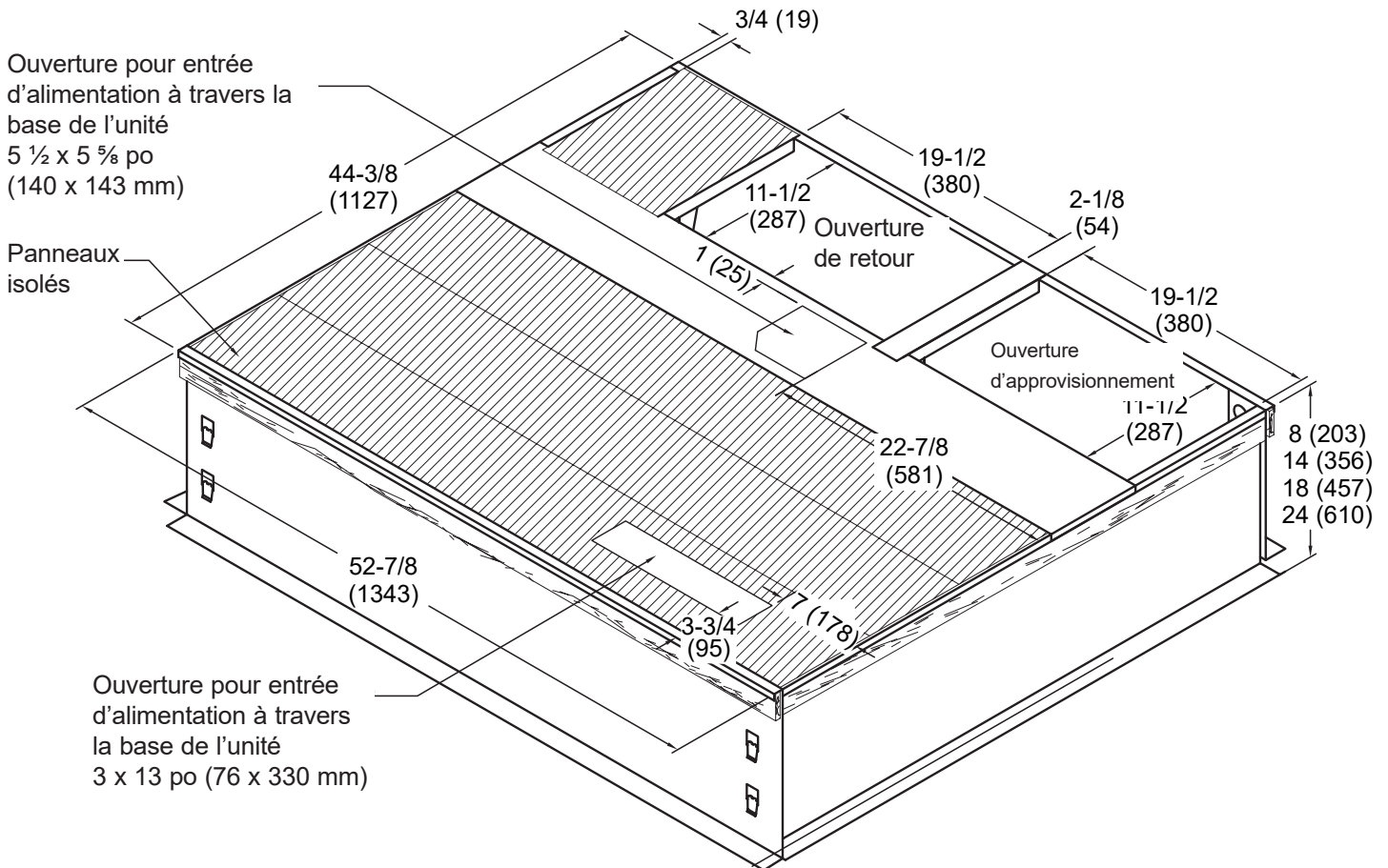
- Conformité IBC 2018
- Conformité CBC 2019
- Résistance sismique - SDS 2,0g, z/h=1, IP=1,5
- Résistance au vent - 240 mi/h (latéral), 214 mi/h (soulèvement)
- Capacité de charge maximale - 800 lb
- Les panneaux d'accès au filtre sans outil ne sont PAS destinés aux applications à résistance sismique

**DIMENSIONS DU REBORD DE TOIT - GRANDE BASE :**

NP14A42

NP14A48

NP14A60



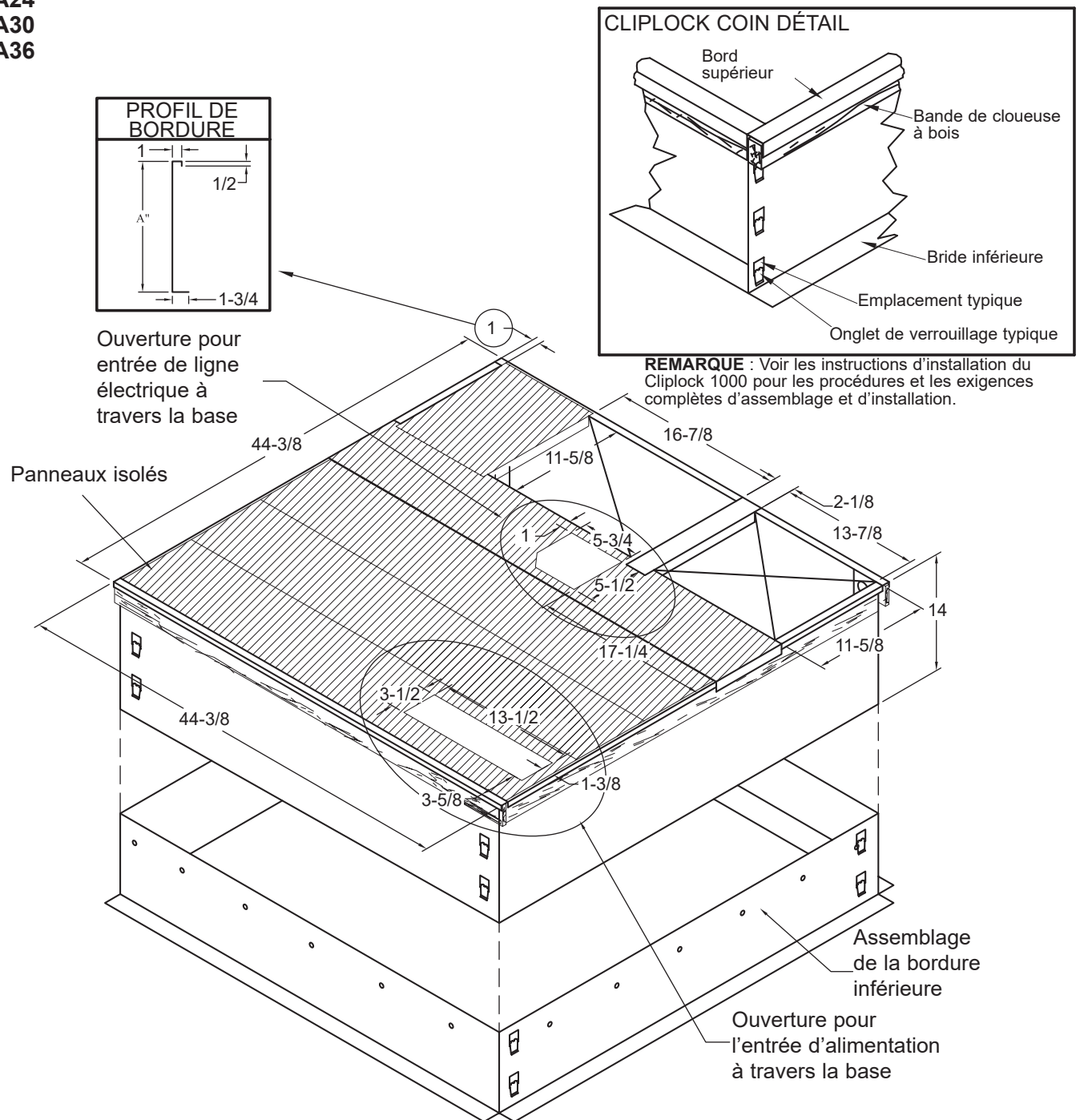
**REMARQUE** - Le platelage de toit peut être omis dans les limites du rebord de toit.

**REMARQUE** - Tous les rebords :

- Conformité IBC 2018
- Conformité CBC 2019
- Résistance sismique - SDS 2,0g, z/h=1, IP=1,5
- Résistance au vent - 240 mi/h (latéral), 214 mi/h (soulèvement)
- Capacité de charge maximale - 800 lb
- Les panneaux d'accès au filtre sans outil ne sont PAS destinés aux applications à résistance sismique

**DIMENSIONS DU REBORD DE TOIT AJUSTABLE (STYLE DÉFONÇABLE) - PETITE BASE :**

NP14A24  
NP14A30  
NP14A36



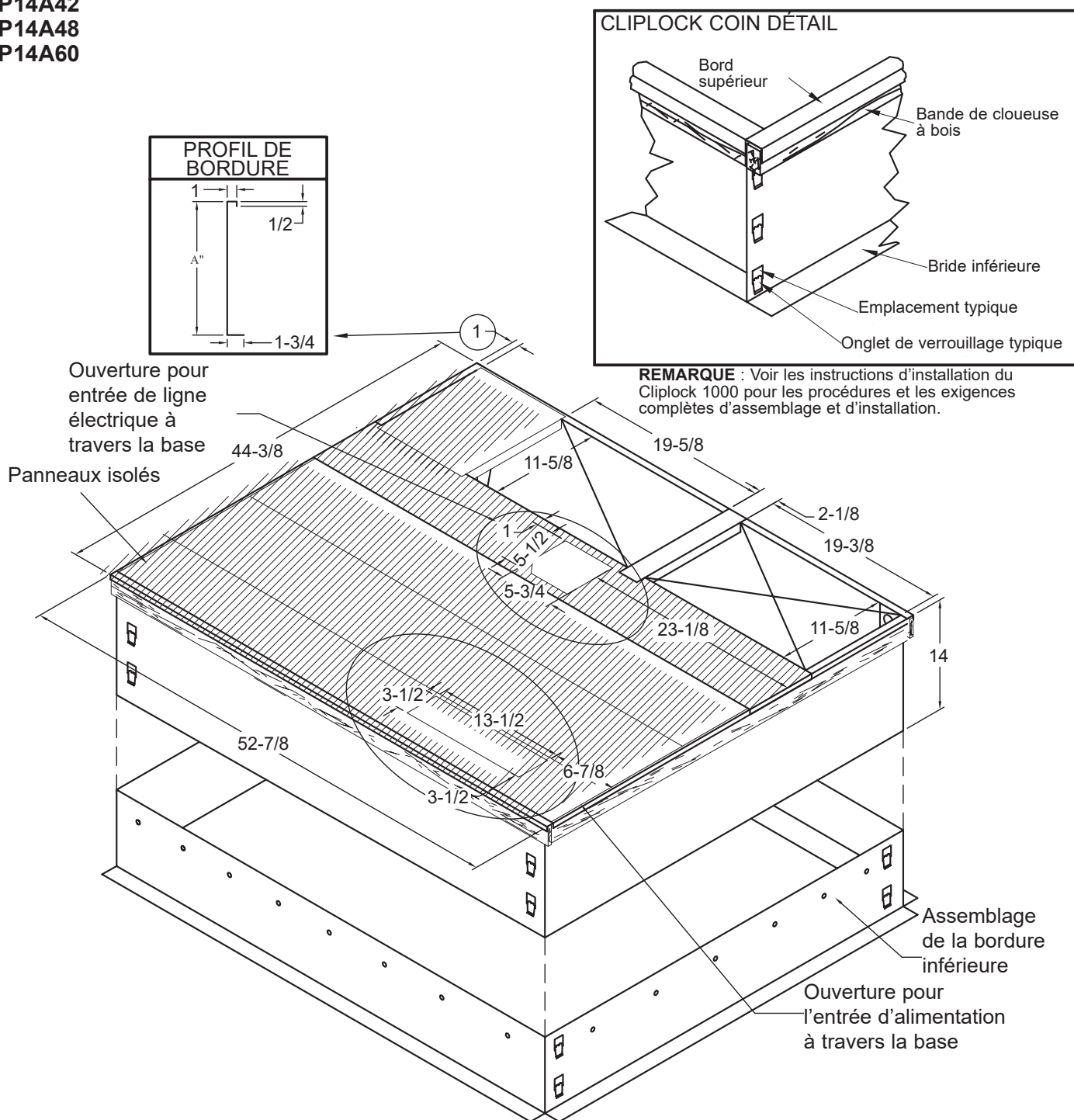
**REMARQUE** - Le platelage de toit peut être omis dans les limites du rebord de toit.

**REMARQUE** - Tous les rebords :

- Conformité IBC 2018
- Conformité CBC 2019
- Résistance sismique - SDS 2,0g, z/h=1, IP=1,5
- Résistance au vent - 240 mi/h (latéral), 214 mi/h (soulèvement)
- Capacité de charge maximale - 800 lb
- Les panneaux d'accès au filtre sans outil ne sont PAS destinés aux applications à résistance sismique

**DIMENSIONS DU REBORD DE TOIT AJUSTABLE (STYLE DÉFONÇABLE) - GRANDE BASE :**

NP14A42  
NP14A48  
NP14A60



**REMARQUE** - Le platelage de toit peut être omis dans les limites du rebord de toit.

**REMARQUE** - Tous les rebords :

- Conformité IBC 2018
- Conformité CBC 2019
- Résistance sismique - SDS 2,0g, z/h=1, IP=1,5
- Résistance au vent - 240 mi/h (latéral), 214 mi/h (soulèvement)
- Capacité de charge maximale - 800 lb
- Les panneaux d'accès au filtre sans outil ne sont PAS destinés aux applications à résistance sismique

**ACCESSOIRES**

Description	Cas d'emploi	Numéro de trousse
Chauffage du carter du compresseur	Tous	11X27
Trousse de démarrage difficile du compresseur	Tous	10J42
Trousse de basse température ambiante	Tous	21D20 & 88M91
Trousse de support de filtre interne	24, 30, 36	11U73
	42, 48, 60	11U74
Rebord plein périmètre d'une hauteur de 8 po	24, 30, 36	21J13
	42, 48, 60	21J17
Rebord plein périmètre d'une hauteur de 14 po	24, 30, 36	21J14
	42, 48, 60	21J19
Rebord plein périmètre d'une hauteur de 18 po	24, 30, 36	21J15
	42, 48, 60	21J20
Rebord plein périmètre d'une hauteur de 24 po	24, 30, 36	21J16
	42, 48, 60	21J25
Rebord de toit à pas ajustable (Style non assemblé/démontable)	24, 30, 36	21J26
	42, 48, 60	21U04
Trousse de cerclage – Ouragan	PROFILÉ	22C53
	DALLE	21J74
Trousse de cerclage – Sismique	Tous	21J75
Trousse d'entrée inférieure pour électricité	Tous	21J78
Ouvertures des profilés de base - Trousse de fermeture	Tous	21J84
Alimentation à point unique- 5kW ASPWR813-1	Tous	13W88
Alimentation à point unique - 7.5 kW ASPWR814-1	Tous	13W89
Alimentation à point unique - 10kW ASPWR815-1	Tous	13W90
Alimentation à point unique - 15-20kW ASPWR816-1	36, 42, 48, 60	13W91
Chauffage électrique 5kW - PHK05BP	Tous	10W47
Chauffage électrique 7.5kW - PHK07BP	Tous	10W48
Chauffage électrique 10kW - PHK10BP	Tous	10W49
Chauffage électrique 15kW - PHK15BP	36, 42, 48, 60	10W50
Chauffage électrique 20kW - PHK20BP	42, 48, 60	10W51





**GE APPLIANCES**  
*a Haier company*

Toutes les spécifications et illustrations  
sont sujettes à modification sans préavis  
et sans obligation.

Imprimé aux États-Unis