



Accord®

60" x 32" bath/shower w/ AIP backerboards

71150126



Features

- 18" apron.
- Pivot snap-together modular design.
- Tile look.
- Molded-in shelves.
- Aging in Place backerboards.

Material

- Made from solid Vikrell® material for strength, durability, and lasting beauty.

Installation

- Alcove.
- Right drain.
- Caulk-free installation.

Recommended Products/Accessories

- 71157103 32" bath/shower grab bar kit
- 1095008 Plastic Seat
- K-23726 Drain treatment
- K-23733 Vikrell® cleaner

Included Components

- Product consists of:
- 71154106 60" x 32" bath/shower wall set w/AIP backerboards
 - 71151120 60-1/4" x 32" bath



Codes/Standards



- CSA B45.5/IAPMO Z124
- ASTM E162
- ASTM E662
- HUD, UM Bulletin 73

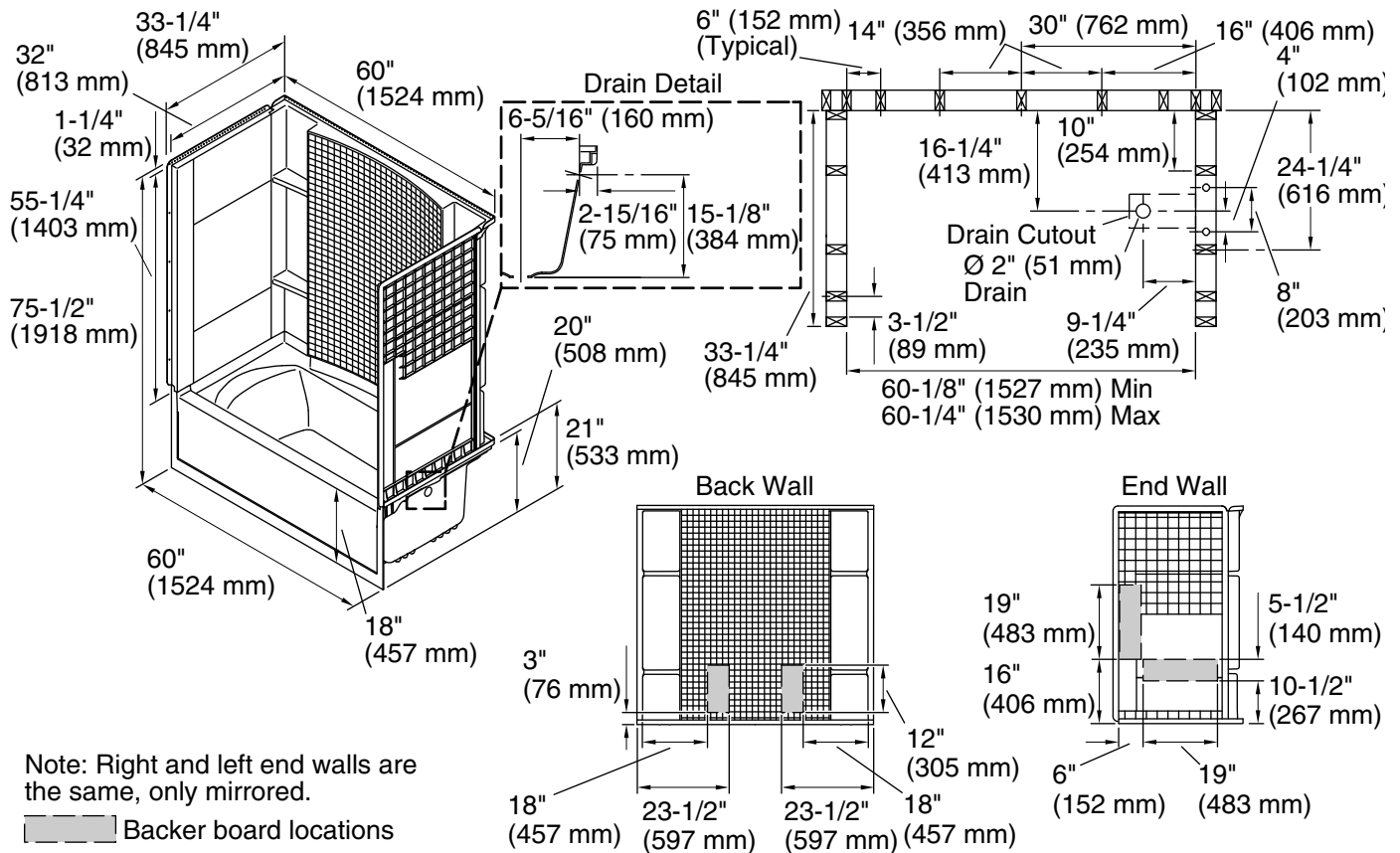
Warranty – Bathing Fixtures (and) Kitchen and Utility Sinks Made of Solid Vikrell® Material

See website for detailed warranty information.

Available Colors/Finishes

Color tiles intended for reference only.

Color	Code	Description
	0	White
	96	KOHLER Biscuit



Technical Information

All product dimensions are nominal.

Installation:	Three-wall alcove
Drain location:	Right
Basin area, bottom:	21-1/2" x 46-1/8" (546 mm x 1172 mm)
Basin area, top:	23" x 51" (584 mm x 1295 mm)
Water depth:	13-1/8" (333 mm)
Water capacity:	56 gal (212 L)
Maximum door height:	55-7/8" (1419 mm)
Maximum door width:	56-3/4" (1441 mm)

Notes

- Install this product according to the installation instructions.
- Studs should be positioned roughly as shown. Double studding is recommended for pivot shower door installations.
- Attach grab bars at the specified backerboard locations only.
- ADA adaptable when grab bars and seat are installed per the specific requirements of these regulations.
- For future ADA compliance, select a mixing valve location that will not interfere with a control wall grab bar.