



Ensemble™

36-1/4" x 34" x 75-3/4" tile alcove shower stall
72100100



Features

- 4-1/2" (114 mm) threshold.
- Durable high-gloss finish.
- Center drain.
- Three-piece tongue-and-groove walls with snap-together installation.
- Convenient shelves, shaving ledge/footrest.

Material

- Made from solid Vikrell® material for strength, durability, and lasting beauty.

Installation

- Alcove.
- Some caulk required for proper installation.

Recommended Products/Accessories

- 1500D-36 Framed pivot shower door
- 1505D-36 Framed pivot shower door
- 1507D-36 Framed pivot shower door
- 1530D-36 Framed pivot shower door
- 1535D-36 Framed pivot shower door
- K-23726 Drain treatment
- K-23733 Vikrell® cleaner

Included Components

Product consists of:

- 72105100 34" shower end wall set
- 72101100 36-1/4" x 34" shower base
- 72102100 36" x 72-1/2" tile alcove shower back wall



Codes/Standards



- CSA B45.5/IAPMO Z124
- ASTM E162
- ASTM E662
- HUD, UM Bulletin 73

Warranty – Bathing Fixtures (and) Kitchen and Utility Sinks Made of Solid Vikrell® Material

See website for detailed warranty information.

Available Colors/Finishes

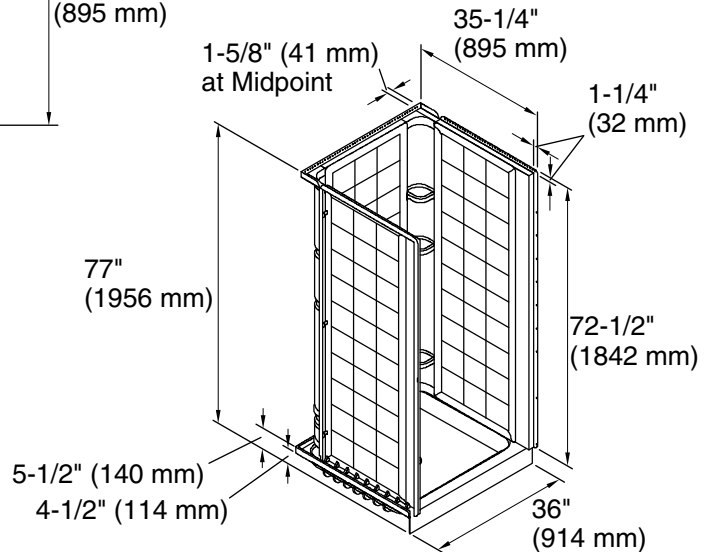
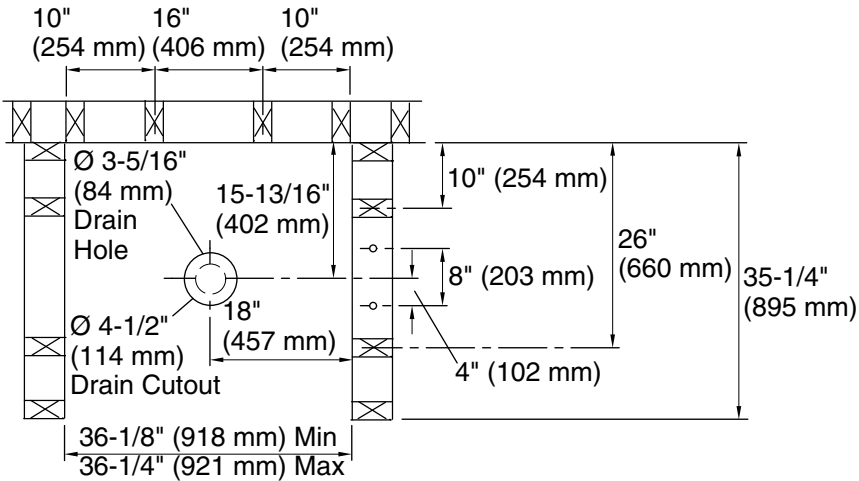
Color tiles intended for reference only.

Color	Code	Description
	0	White
	96	KOHLER Biscuit

1-800-STERLING (1-800-783-7546)

Kohler Co. reserves the right to make revisions without notice to product specifications.

For the most current Specification Sheet, go to www.sterlingplumbing.com.



Technical Information

All product dimensions are nominal.

Installation:	Three-wall alcove
Drain location:	Center
Maximum door height:	70-1/2" (1791 mm)
Maximum door width:	32-5/8" (829 mm)

Notes

Install this product according to the installation instructions.
Studs should be positioned roughly as shown.
Double studding is recommended for pivot shower door installations.