

Features

- Response technology provides reliable touchless on/off operation through a state-of-the-art sensor that responds in 20 milliseconds.
- Precision activation window helps prevent false activations.
- Two-function pull-down sprayhead with touch-control allows you to switch from aerated stream to Sweep® spray.
- Sweep® spray creates a wide, forceful blade of water for superior cleaning.
- DockNetik®, a magnetic docking system located within the spout, smoothly glides and securely locks the sprayhead into place.
- Ceramic disc valves exceed industry longevity standards, ensuring durable performance for life.
- ProMotion® technology's light, quiet braided hose and swiveling ball joint make the pull-down sprayhead easier and more comfortable to use.
- MasterClean™ sprayface features an easy-to-clean surface that withstands mineral buildup.
- High-arch gooseneck spout offers superior clearance for filling pots and cleaning.
- Single lever handle is simple to use and makes adjusting water temperature easy.
- Temperature memory allows faucet to be turned on and off at the temperature set during prior usage.
- AC-powered operation - no batteries to replace.
- LED light indicates faucet is operational and ready to go.
- 1.5 gal/min (5.7 l/min) maximum flow rate [max at 60 psi (4.14 bar)]

Material

- Premium metal construction.
- KOHLER finishes resist corrosion and tarnishing.

Installation

- For single-hole installation.

Optional Products/Accessories

1012715 Kitchen Faucet Deep Rough-In Kit
 1167289 1.5 GPM [5.7 l/min] Low Flow Kit
 1203620 Power Supply Cable Extension
 1209172 3 Hole Escutcheon Kit



ADA CSA B651

Codes/Standards



ASME A112.18.1/CSA B125.1
 NSF/ANSI 61
 NSF/ANSI 372
 All applicable US Federal and State material regulations
 DOE - Energy Policy Act 1992
 ADA
 ICC/ANSI A117.1
 CSA B651

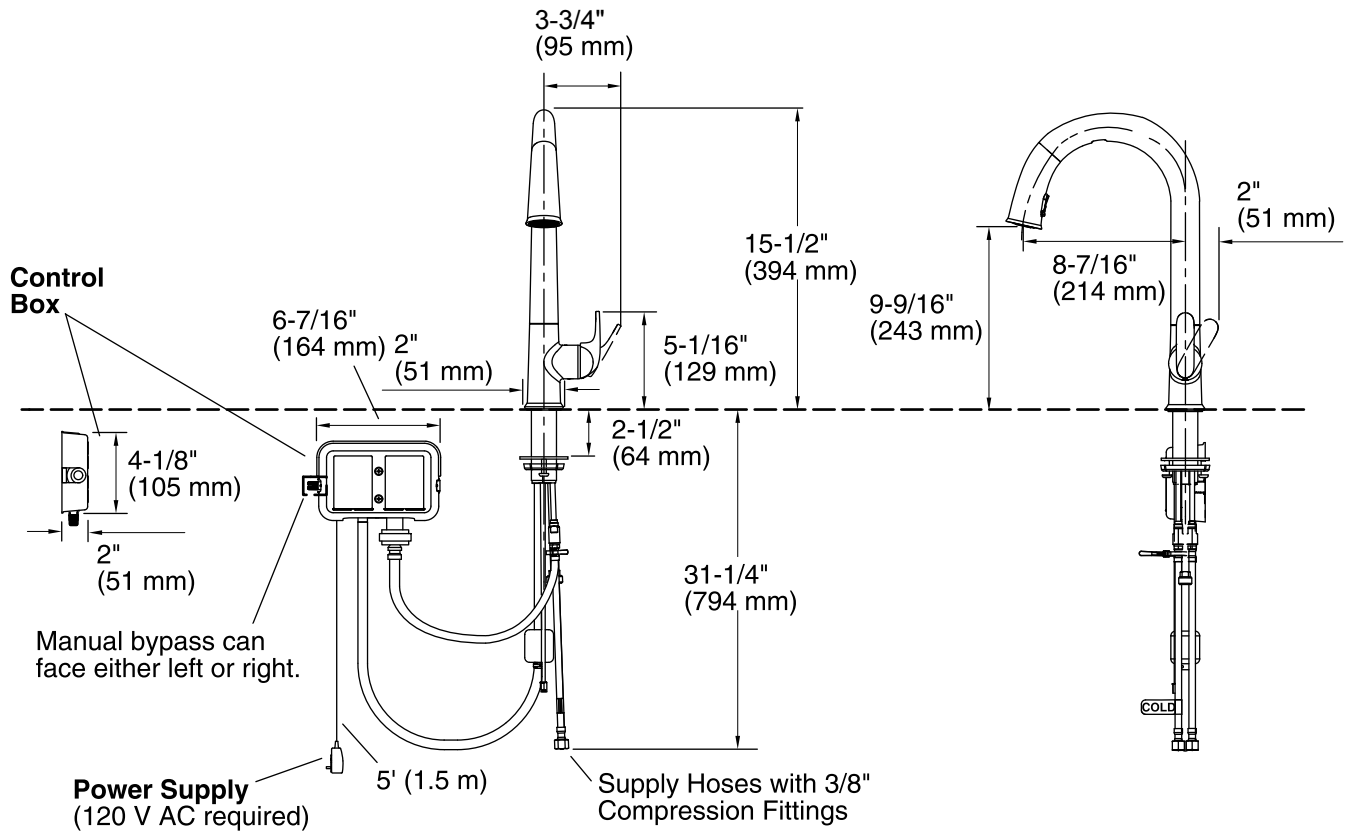
KOHLER® Electronic Faucets, Valves, and Controls Five-Year Limited Warranty

See website for detailed warranty information.

Available Colors/Finishes

Color tiles intended for reference only.

Color	Code	Description
	CP	Polished Chrome
	VS	Vibrant® Stainless



Required Electrical Service

One circuit required, protected with Class A Ground-Fault Circuit-Interrupter (GFCI). Outside North America, this device may be known as a Residual Current Device (RCD).

120 V

Technical Information

All product dimensions are nominal.

Power source: Plug - AC, included

Faucet:

Flow rate: 1.5 gal/min (5.7 l/min)

Pressure: 60 psi (4.1 bar)

Spout:

Spout reach: 8-7/16" (214 mm)

Notes

Install this product according to the installation guide.

REQUIRED: Unswitched power outlet (120 V AC) located below the sink and within 5' (1.5 m) of the control box. (Garbage disposals typically use switched outlets and are not recommended.)

ADA, CSA B651 compliant when installed to the specific requirements of these regulations.