

Tender Text



Product photo could vary from the actual product

Product No.: [8010018](#)

5S07-18

Multi-stage submersible pump for raw water supply, groundwater lowering and pressure boosting. The pump is suitable for pumping clean, thin, non-aggressive liquids without solid particles or fibers.

The pump is made entirely of Stainless steel DIN W.-Nr. DIN W.-Nr. 1.4301 and suitable for horizontal and vertical installation.

The pump is fitted with a built-in non-return valve.

Liquid:

Pumped liquid: Water
Maximum liquid temperature: 104 °F
Liquid temperature during operation: 68 °F
Density: 62.29 lb/ft³

Technical:

Speed for pump data: 3450 rpm
Actual calculated flow: 4.81 US gpm
Resulting head of the pump: 357.2 ft
Curve tolerance: ISO9906:2012 3B

Materials:

Pump: Stainless steel
DIN W.-Nr. 1.4301
AISI 304
Impeller: Stainless steel
DIN W.-Nr. 1.4301
AISI 304

Installation:

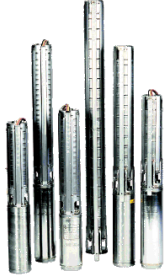
Pump outlet: 1"NPT
Motor diameter: 4 inch

Electrical data:

Power (P2) required by pump: 1.14 HP

Others:

Net weight: 12.6 lb
Gross weight: 13.9 lb

Position	Count	Description
	1	<p>5S07-18</p>  <p style="text-align: center;">Product photo could vary from the actual product</p> <p>Product No.: 8010018 Multi-stage submersible pump for raw water supply, groundwater lowering and pressure boosting. The pump is suitable for pumping clean, thin, non-aggressive liquids without solid particles or fibers.</p> <p>The pump is made entirely of Stainless steel DIN W.-Nr. DIN W.-Nr. 1.4301 and suitable for horizontal and vertical installation. The pump is fitted with a built-in non-return valve.</p> <p>Liquid: Pumped liquid: Water Maximum liquid temperature: 104 °F Liquid temperature during operation: 68 °F Density: 62.29 lb/ft³</p> <p>Technical: Speed for pump data: 3450 rpm Actual calculated flow: 4.81 US gpm Resulting head of the pump: 357.2 ft Curve tolerance: ISO9906:2012 3B</p> <p>Materials: Pump: Stainless steel DIN W.-Nr. 1.4301 AISI 304 Impeller: Stainless steel DIN W.-Nr. 1.4301 AISI 304</p> <p>Installation: Pump outlet: 1"NPT Motor diameter: 4 inch</p> <p>Electrical data: Power (P2) required by pump: 1.14 HP</p> <p>Others: Net weight: 12.6 lb Gross weight: 13.9 lb</p>



Company name:

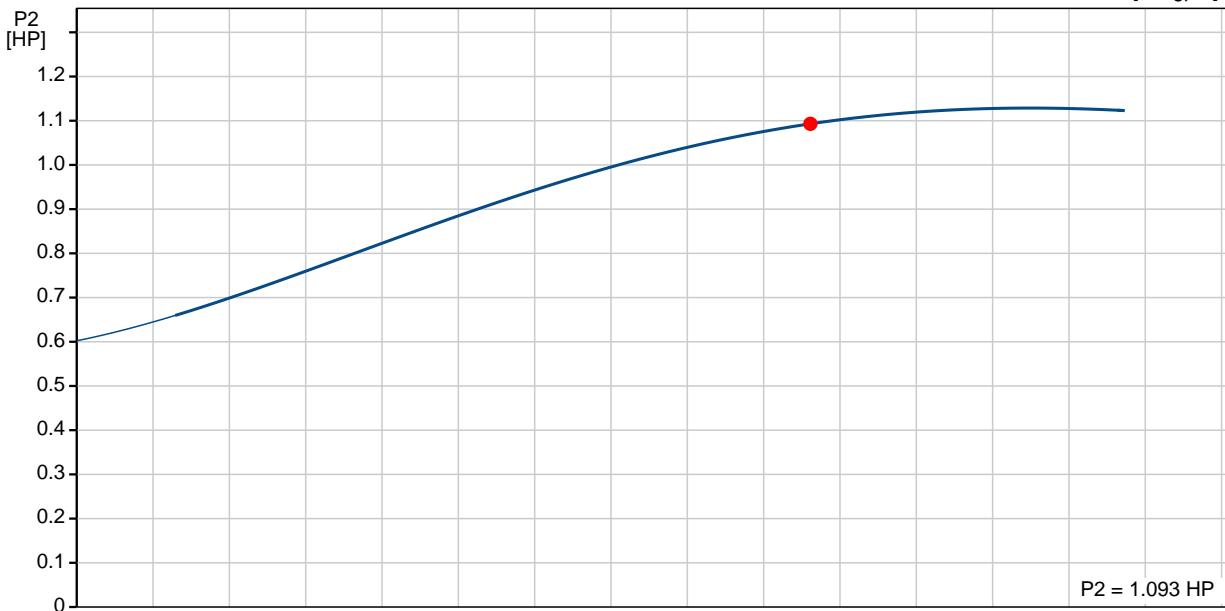
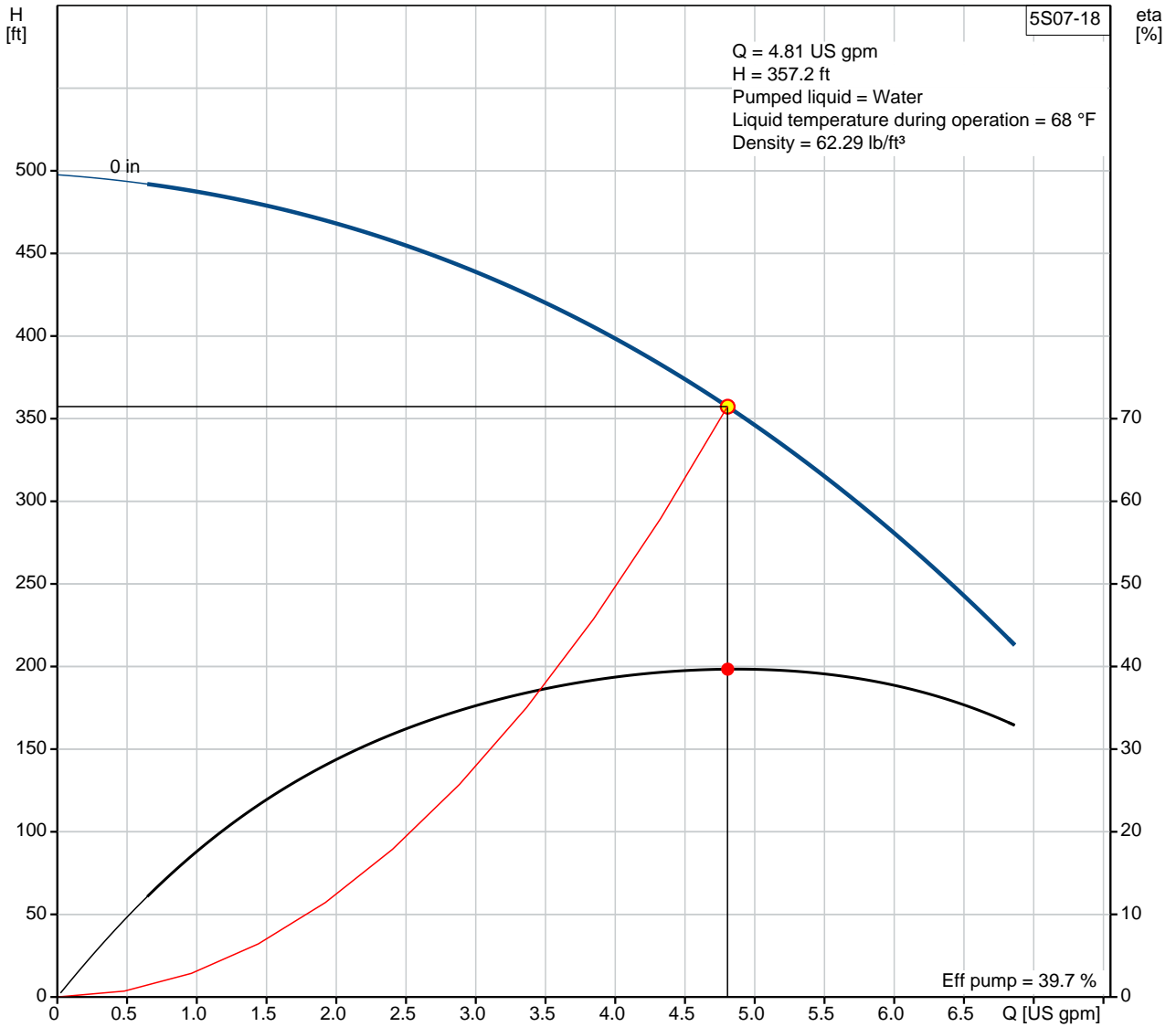
Created by:

Phone:

Date:

2/22/2018

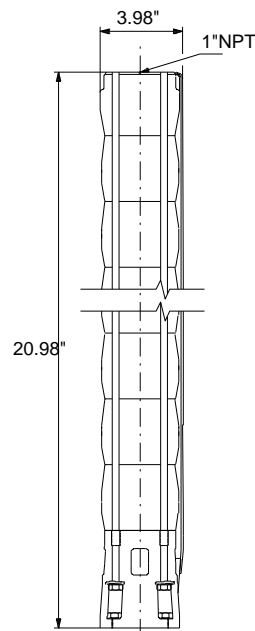
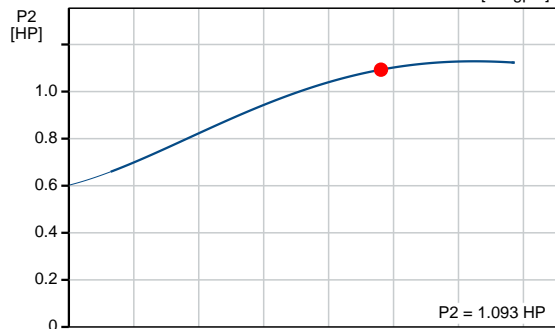
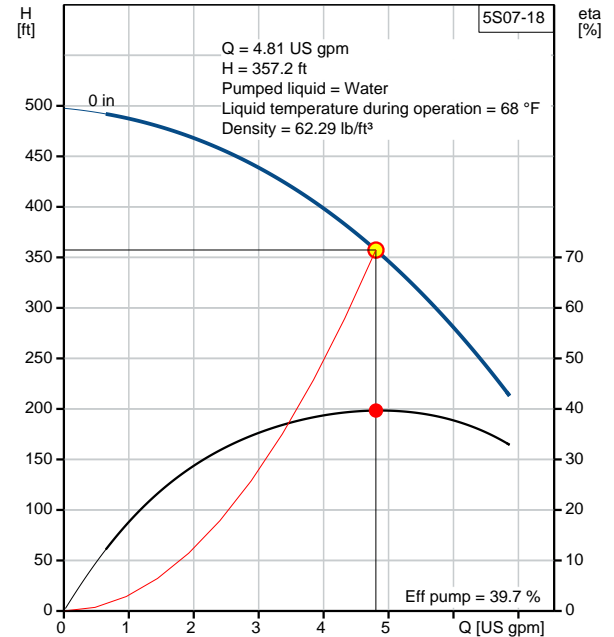
8010018 5S07-18 60 Hz



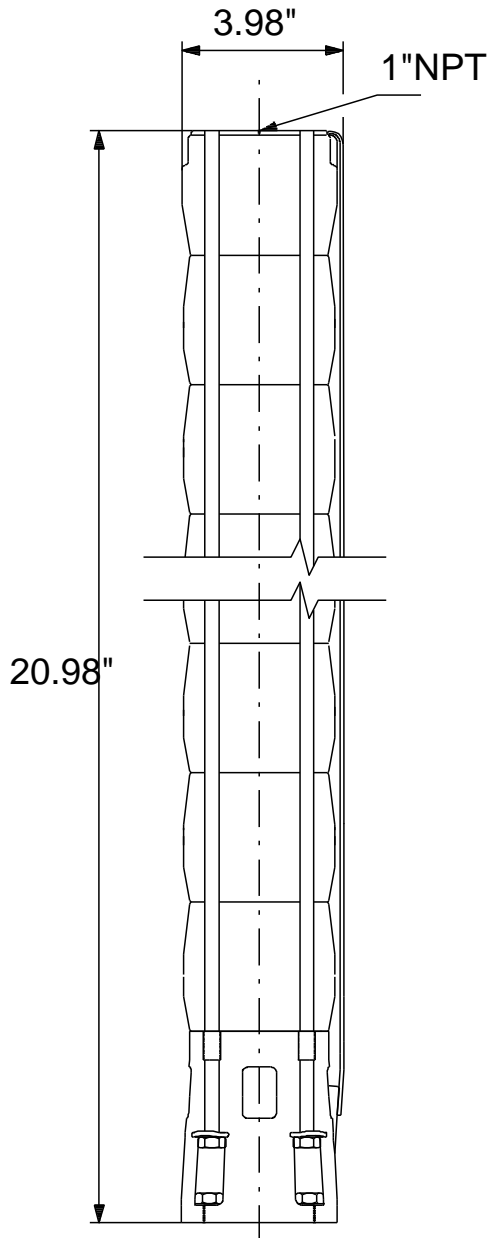
Description	Value
General information:	
Product name:	5S07-18
Product No.:	8010018
EAN:	5700390263188
Technical:	
Speed for pump data:	3450 rpm
Actual calculated flow:	4.81 US gpm
Resulting head of the pump:	357.2 ft
Stages:	18
Curve tolerance:	ISO9906:2012 3B
Model:	A
Valve:	pump with built-in non-return valve
Materials:	
Pump:	Stainless steel DIN W.-Nr. 1.4301 AISI 304
Impeller:	Stainless steel DIN W.-Nr. 1.4301 AISI 304
Installation:	
Pump outlet:	1"NPT
Motor diameter:	4 inch
Liquid:	
Pumped liquid:	Water
Maximum liquid temperature:	104 °F
Liquid temperature during operation:	68 °F
Density:	62.29 lb/ft ³

Electrical data:	
Applic. motor:	NEMA
Power (P2) required by pump:	1.14 HP

Others:	
Net weight:	12.6 lb
Gross weight:	13.9 lb
Sales region:	Namreg



8010018 5S07-18 60 Hz



Note! All units are in [mm] unless otherwise stated.
Disclaimer: This simplified dimensional drawing does not show all details.



Company name:

Created by:

Phone:

Date: 2/22/2018

Order Data:

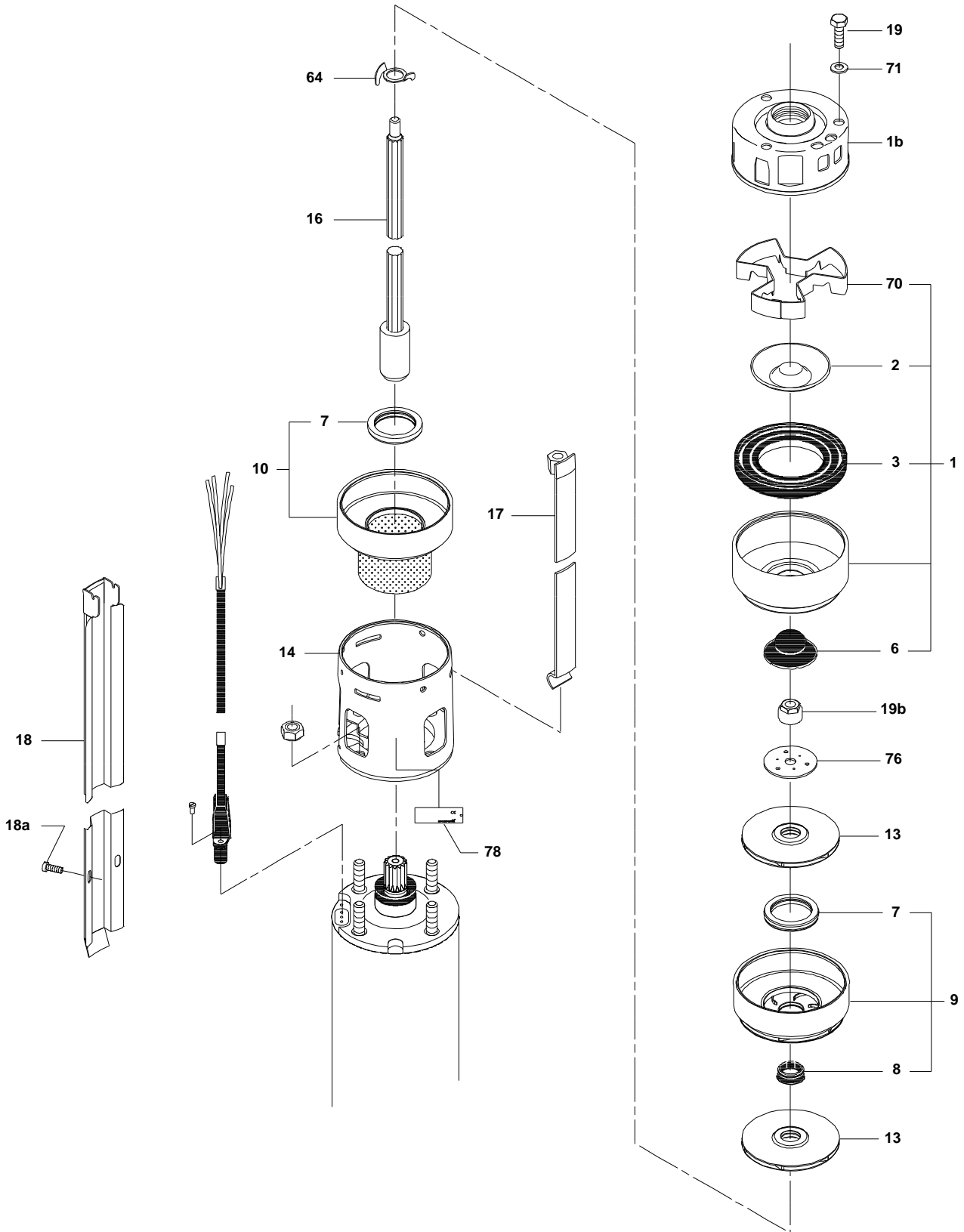
Product name: 5S07-18

Amount: 1

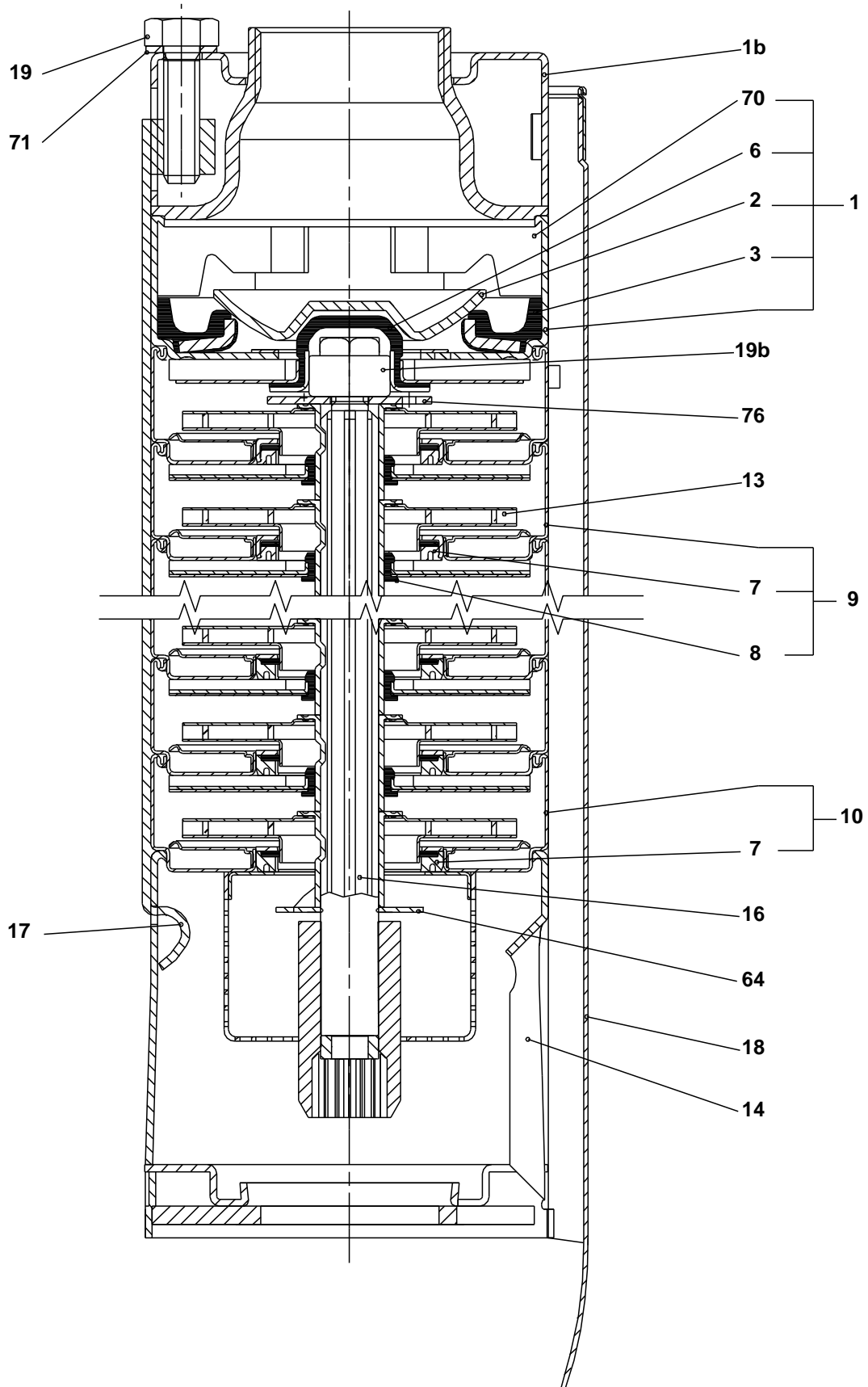
Product No.: 8010018

Total: Price on request

Exploded view (tm019315 1600)



Sectional drawing (tm019325 1600)



TM019325



Company name:

Created by:

Phone:

Date:

2/22/2018

Parts list 5S07-18, Prod number 8010018

Valid from 1.8.1994 (9432)

Position	Description	Annotation	Classification data	Part No.	Count	Unit
	Nut				1	pcs
	Impeller				18	pcs
	Washer				1	pcs
-	Chamber				17	pcs
	Chamber w/o guide vanes				1	
	Bearing				1	
7	Neck ring				1	
- 1	Valve casing cpl.				1	pcs
	Valve casing				1	
	Bearing, top				1	
2	Valve cone				1	
3	Valve seat				1	
70	Valve guide				1	
1b	Discharge piece				1	pcs
- 10	Chamber, bottom				1	pcs
	Chamber w/o guide vanes				1	
7	Neck ring				1	
14	Suction interconnector				1	pcs
16	Shaft cpl.		Length: 434,5		1	pcs
17	Strap		Length: 443		3	pcs
18	Cable guard				1	pcs
18a	Pan head screw				2	pcs
19	Screw w/washer				3	pcs
64	Priming disc				1	pcs
76	Nameplate				1	pcs