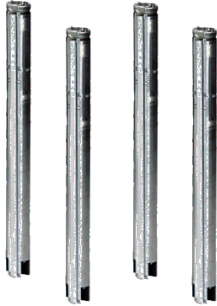


| | | |
|-----------------------|------------------------|-----------------|
| PROJECT: _____ | UNIT TAG: _____ | QUANTITY: _____ |
| REPRESENTATIVE: _____ | TYPE OF SERVICE: _____ | DATE: _____ |
| ENGINEER: _____ | SUBMITTED BY: _____ | DATE: _____ |
| CONTRACTOR: _____ | APPROVED BY: _____ | DATE: _____ |
| | ORDER NO.: _____ | DATE: _____ |

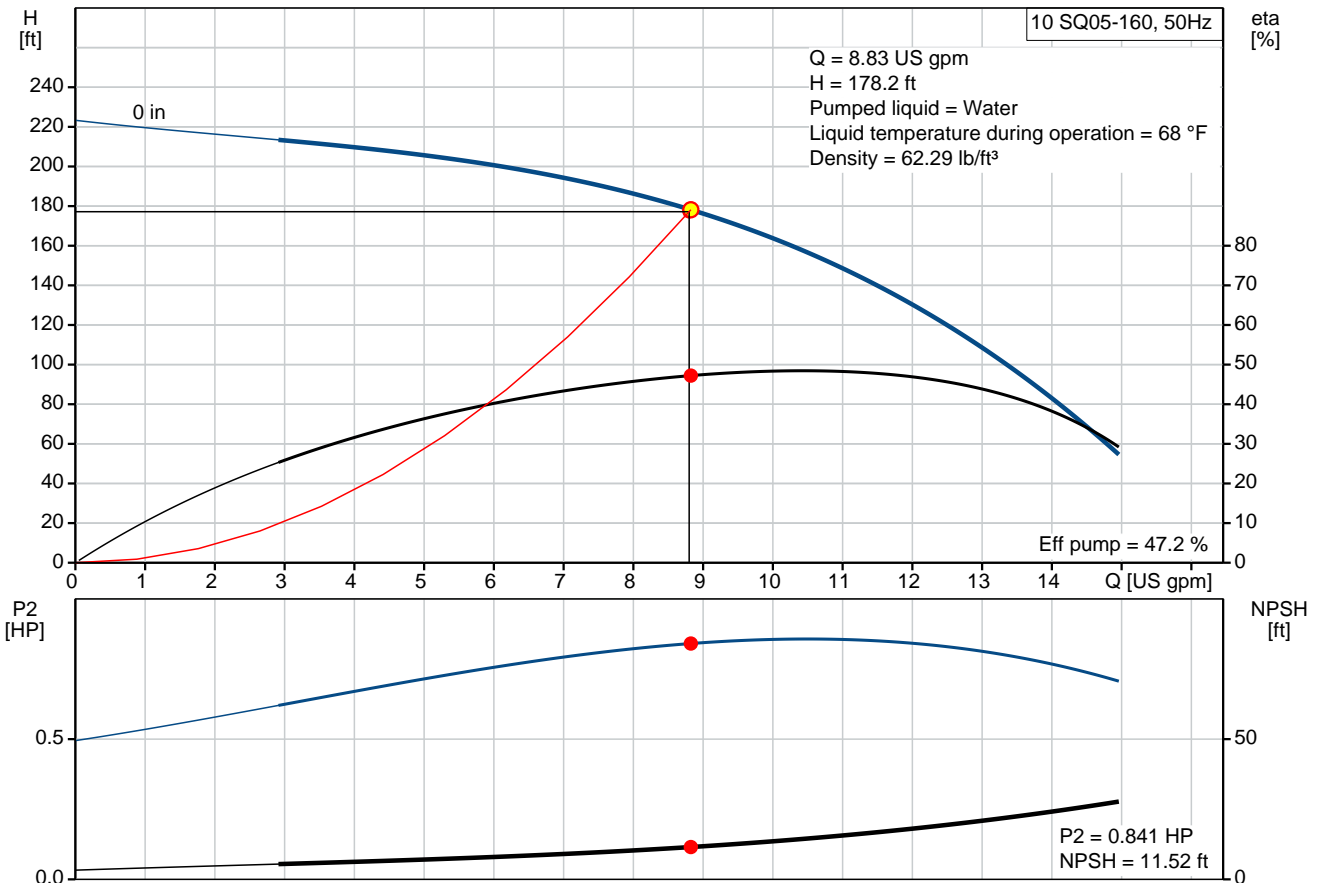


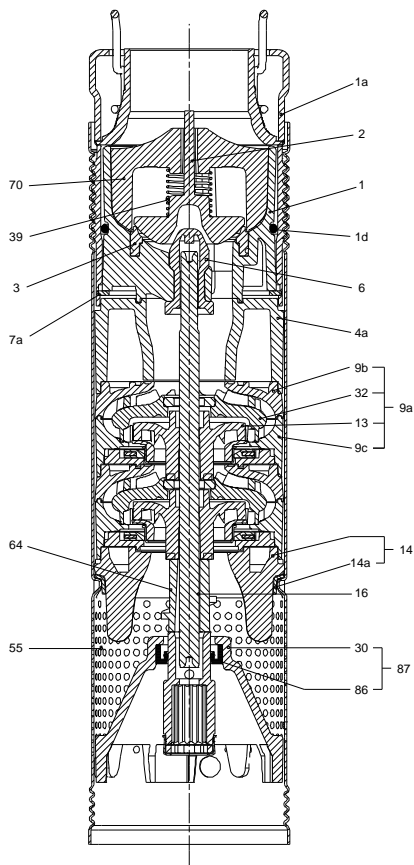
10 SQ05-160

Submersible pumps

Product photo could vary from the actual product

| Conditions of Service | | Pump Data | | Motor Data | |
|-----------------------|-------------|------------------|-----------|---------------------|-----------|
| Flow: | 8.83 US gpm | Approvals: | UL, cUL | Rated voltage: | 100-115 V |
| Head: | 178.2 ft | Approvals motor: | CE,UL,CUL | Main frequency: | 50 Hz |
| Efficiency: | _____ | Product number: | 96160167 | Enclosure class: | IP68 |
| Liquid: | Water | | | Insulation class: | F |
| Temperature: | 68 °F | | | Motor protection: | Y |
| NPSH required: | 11.52 ft | | | Thermal protection: | internal |
| Viscosity: | _____ | | | Motor type: | MS3 |
| Specific Gravity: | 1.000 | | | | |



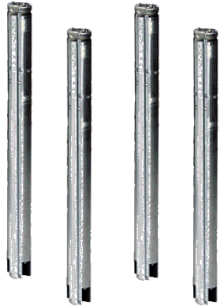


Materials:

Pump: Polyethylene / Stainless steel
DIN W.-Nr. 1.4301

Motor: Stainless steel
1.4301 EN
AISI 304

Tender Text



Product photo could vary from the actual product

Product No.: [96160167](#)

10 SQ05-160

3" multi-stage, submersible pump designed for domestic water supply, liquid transfer in tanks, irrigation and environmental applications. The pump has "floating" impellers, each with its own tungsten carbide/ceramic bearing.

The pump features soft starting and protection against dry-running, upthrust, overvoltage, undervoltage, overload and overtemperature.

The motor is a one-phase motor of the permanent magnet rotor type ensuring optimum efficiency within a wide load range.

The motor is fitted with a replaceable cable plug.

Liquid:

Pumped liquid: Water
Maximum liquid temperature: 95 °F
Max liquid temperature at 0.15 m/sec: 95 °F
Liquid temperature during operation: 68 °F
Density: 62.29 lb/ft³

Technical:

Speed for pump data: 10700 rpm
Actual calculated flow: 8.83 US gpm
Resulting head of the pump: 178.2 ft
Approvals on nameplate: UL, cUL
Approvals on motor nameplate: CE,UL,CUL
Curve tolerance: ISO9906:2012 3B

Materials:

Pump: Polyethylene / Stainless steel
DIN W.-Nr. 1.4301
Motor: Stainless steel
1.4301 EN
AISI 304

Installation:

Pump outlet: NPT 1 1/4
Minimum borehole diameter: 2.99 in

Electrical data:

Motor type: MS3



Company name:

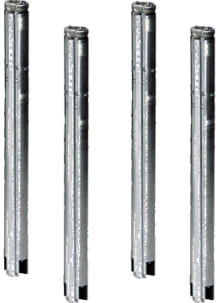
Created by:

Phone:

Date:

2/22/2018

Power input - P1: 1.09 kW
Rated power - P2: 0.939 HP
Main frequency: 50 Hz
Rated voltage: 1 x 100-115 V
Rated current: 12 A
Power factor: 1,00
Rated speed: 10700 rpm
Start. method: direct-on-line
Enclosure class (IEC 34-5): IP68
Insulation class (IEC 85): F
Length of cable: 4.922 ft

| Position | Count | Description |
|----------|-------|--|
| | 1 | <p>10 SQ05-160</p>  <p style="text-align: right;">Product photo could vary from the actual product</p> <p>Product No.: 96160167 3" multi-stage, submersible pump designed for domestic water supply, liquid transfer in tanks, irrigation and environmental applications. The pump has "floating" impellers, each with its own tungsten carbide/ceramic bearing.</p> <p>The pump features soft starting and protection against dry-running, upthrust, overvoltage, undervoltage, overload and overtemperature.</p> <p>The motor is a one-phase motor of the permanent magnet rotor type ensuring optimum efficiency within a wide load range. The motor is fitted with a replaceable cable plug.</p> <p>Liquid: Pumped liquid: Water Maximum liquid temperature: 95 °F Max liquid temperature at 0.15 m/sec: 95 °F Liquid temperature during operation: 68 °F Density: 62.29 lb/ft³</p> <p>Technical: Speed for pump data: 10700 rpm Actual calculated flow: 8.83 US gpm Resulting head of the pump: 178.2 ft Approvals on nameplate: UL, cUL Approvals on motor nameplate: CE,UL,CUL Curve tolerance: ISO9906:2012 3B</p> <p>Materials: Pump: Polyethylene / Stainless steel DIN W.-Nr. 1.4301 Motor: Stainless steel 1.4301 EN AISI 304</p> <p>Installation: Pump outlet: NPT 1 1/4 Minimum borehole diameter: 2.99 in</p> <p>Electrical data: Motor type: MS3 Power input - P1: 1.09 kW Rated power - P2: 0.939 HP</p> |



Company name:

Created by:

Phone:

Date:

2/22/2018

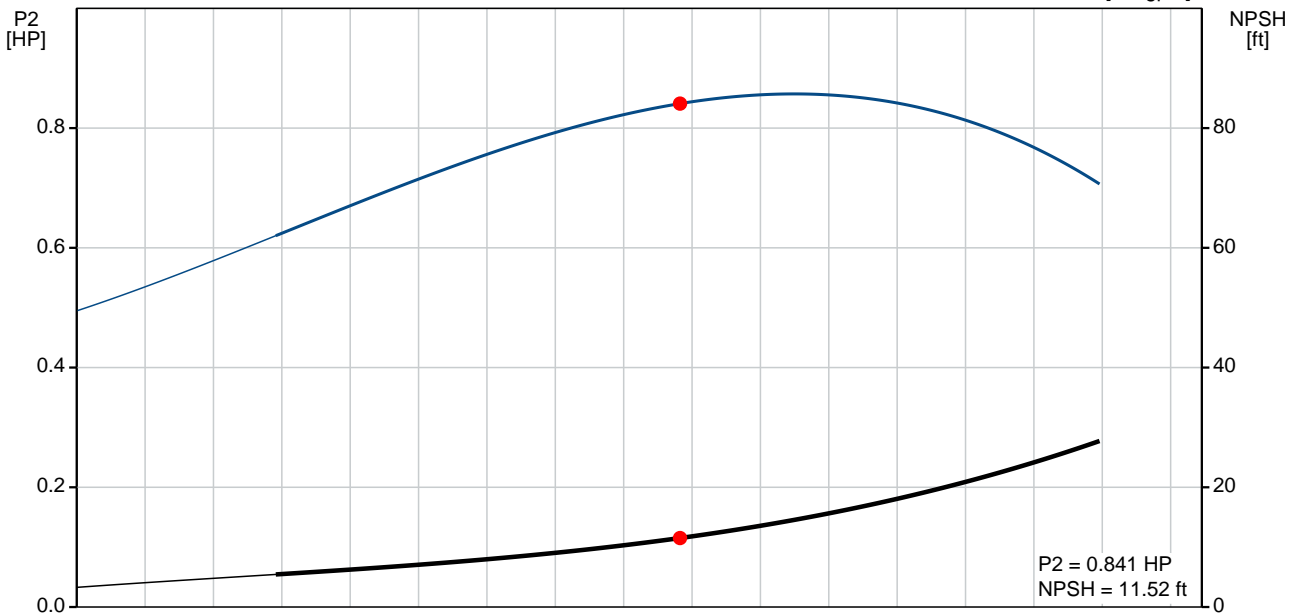
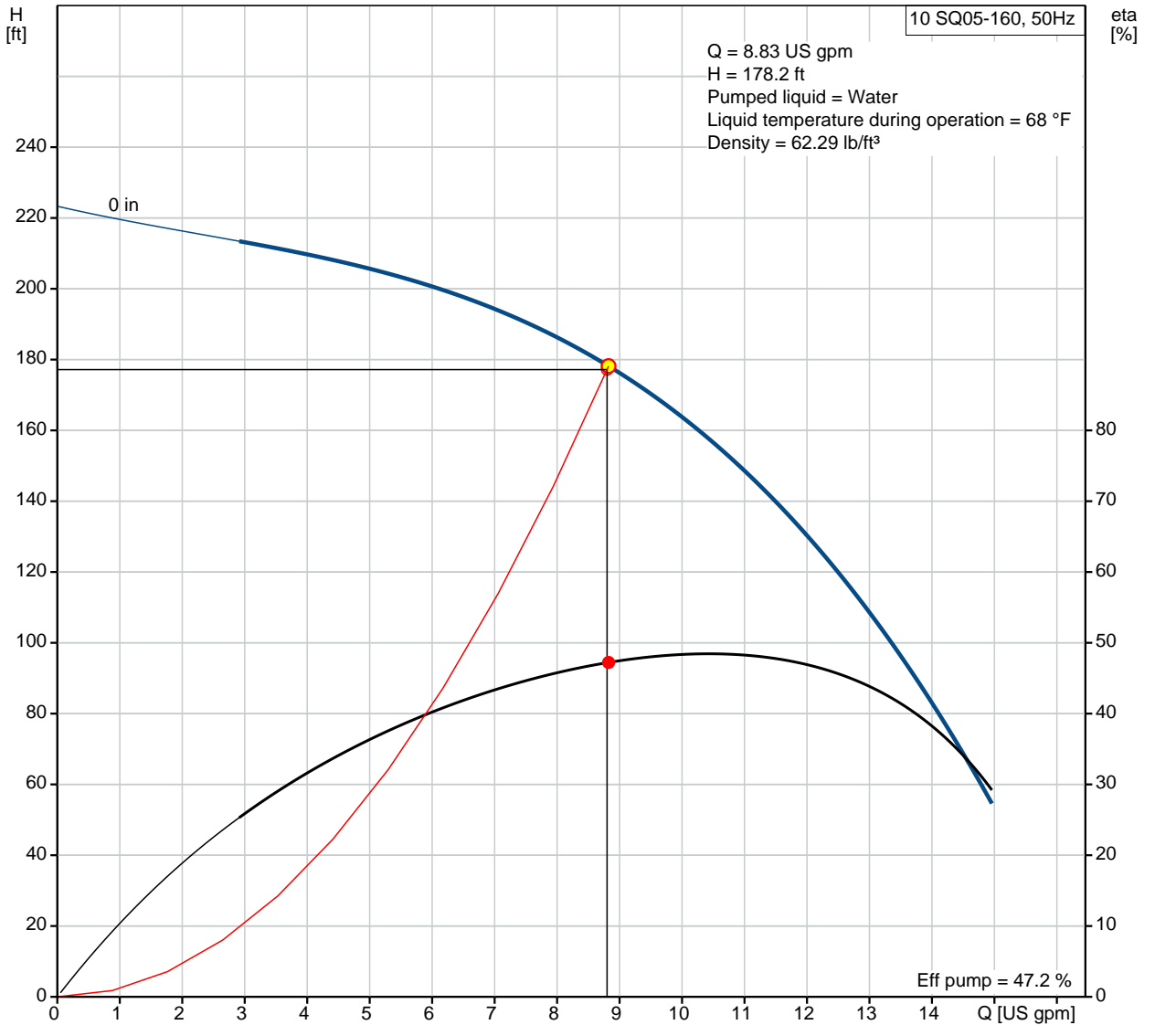
| Position | Count | Description |
|----------|-------|--|
| | | Main frequency: 50 Hz Rated voltage: 1 x 100-115 V Rated current: 12 A Power factor: 1,00 Rated speed: 10700 rpm Start. method: direct-on-line Enclosure class (IEC 34-5): IP68 Insulation class (IEC 85): F Length of cable: 4.922 ft |



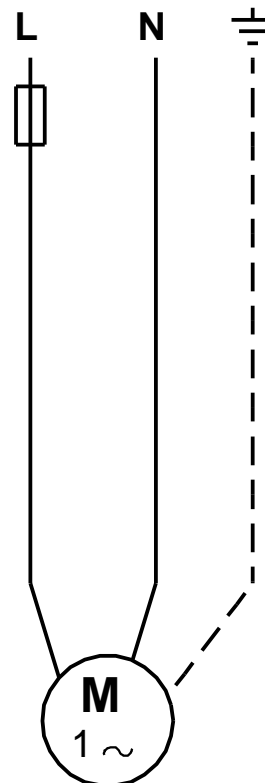
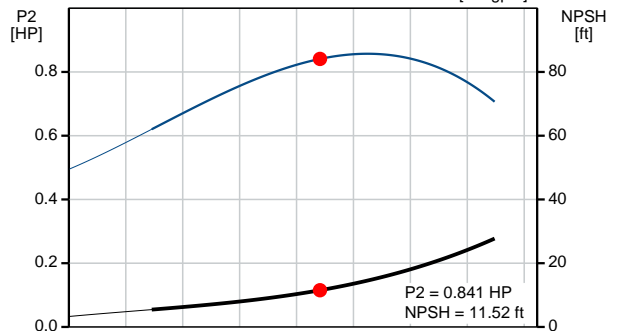
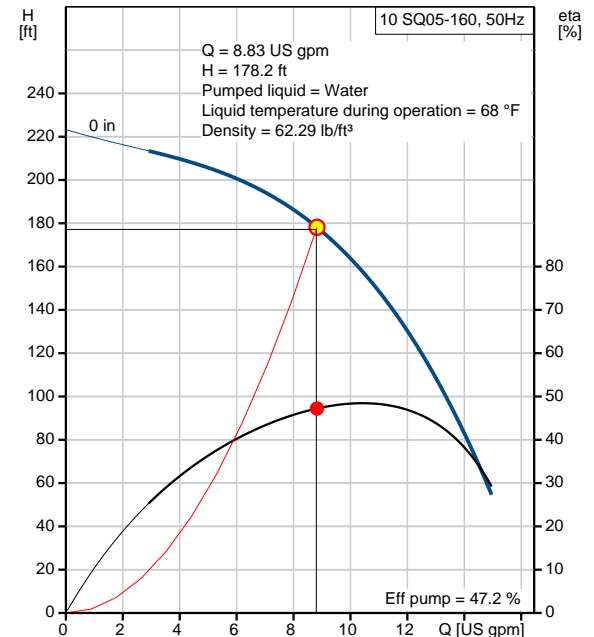
Company name:
Created by:
Phone:

Date: 2/22/2018

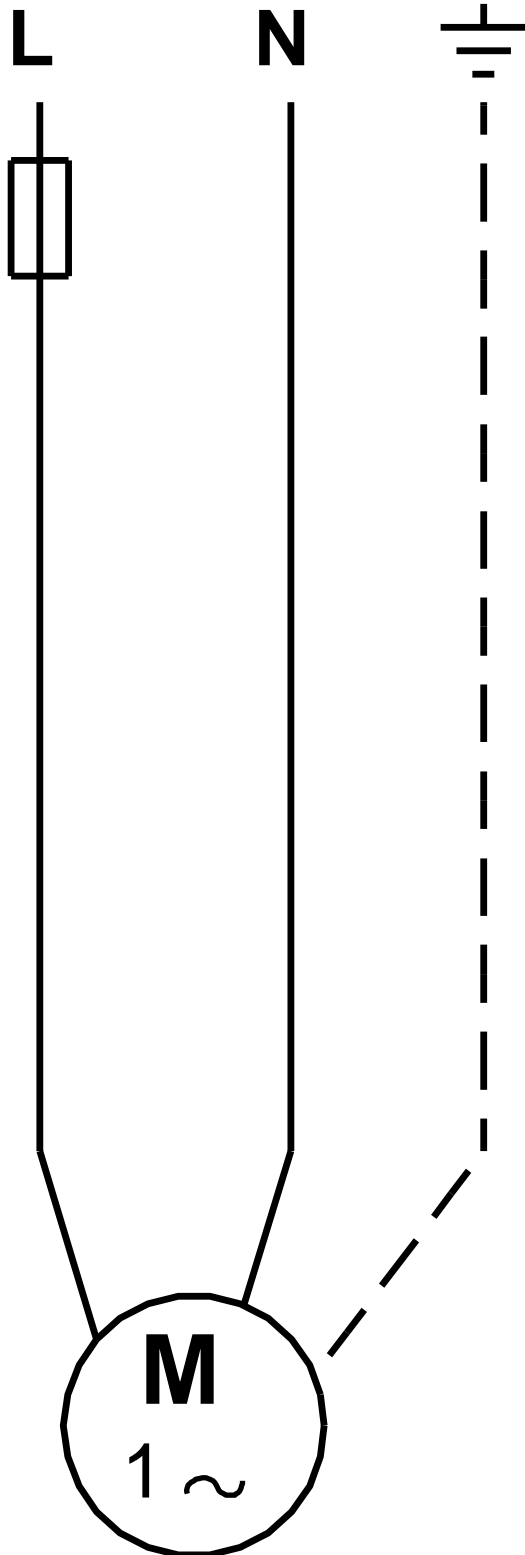
96160167 10 SQ05-160 50 Hz



| Description | Value |
|---------------------------------------|-------------------------------------|
| General information: | |
| Product name: | 10 SQ05-160 |
| Product No.: | 96160167 |
| EAN: | 5700830011072 |
| Technical: | |
| Speed for pump data: | 10700 rpm |
| Actual calculated flow: | 8.83 US gpm |
| Resulting head of the pump: | 178.2 ft |
| Stages: | 3 |
| Approvals on nameplate: | UL, cUL |
| Approvals on motor nameplate: | CE, UL, CUL |
| Curve tolerance: | ISO9906:2012 3B |
| Pump Number: | 96397395 |
| Model: | B |
| Valve: | pump with built-in non-return valve |
| Materials: | |
| Pump: | Polyethylene / Stainless steel |
| | DIN W.-Nr. 1.4301 |
| Motor: | Stainless steel |
| | 1.4301 EN |
| | AISI 304 |
| Installation: | |
| Pump outlet: | NPT 1 1/4 |
| Minimum borehole diameter: | 2.99 in |
| Liquid: | |
| Pumped liquid: | Water |
| Maximum liquid temperature: | 95 °F |
| Max liquid temperature at 0.15 m/sec: | 95 °F |
| Liquid temperature during operation: | 68 °F |
| Density: | 62.29 lb/ft³ |
| Electrical data: | |
| Motor type: | MS3 |
| Power input - P1: | 1.09 kW |
| Rated power - P2: | 0.939 HP |
| Main frequency: | 50 Hz |
| Rated voltage: | 1 x 100-115 V |
| Rated current: | 12 A |
| Power factor: | 1,00 |
| Rated speed: | 10700 rpm |
| Start. method: | direct-on-line |
| Enclosure class (IEC 34-5): | IP68 |
| Insulation class (IEC 85): | F |
| Motor protection: | Y |
| Thermal protec: | internal |
| Length of cable: | 4.922 ft |
| Motor Number: | 96160551 |
| Controls: | |
| CU 300/CU 301: | no communication possible |
| Others: | |
| Sales region: | Namreg |



96160167 10 SQ05-160 50 Hz



All units are [mm] unless otherwise presented.



Company name:

Created by:

Phone:

Date: 2/22/2018

Order Data:

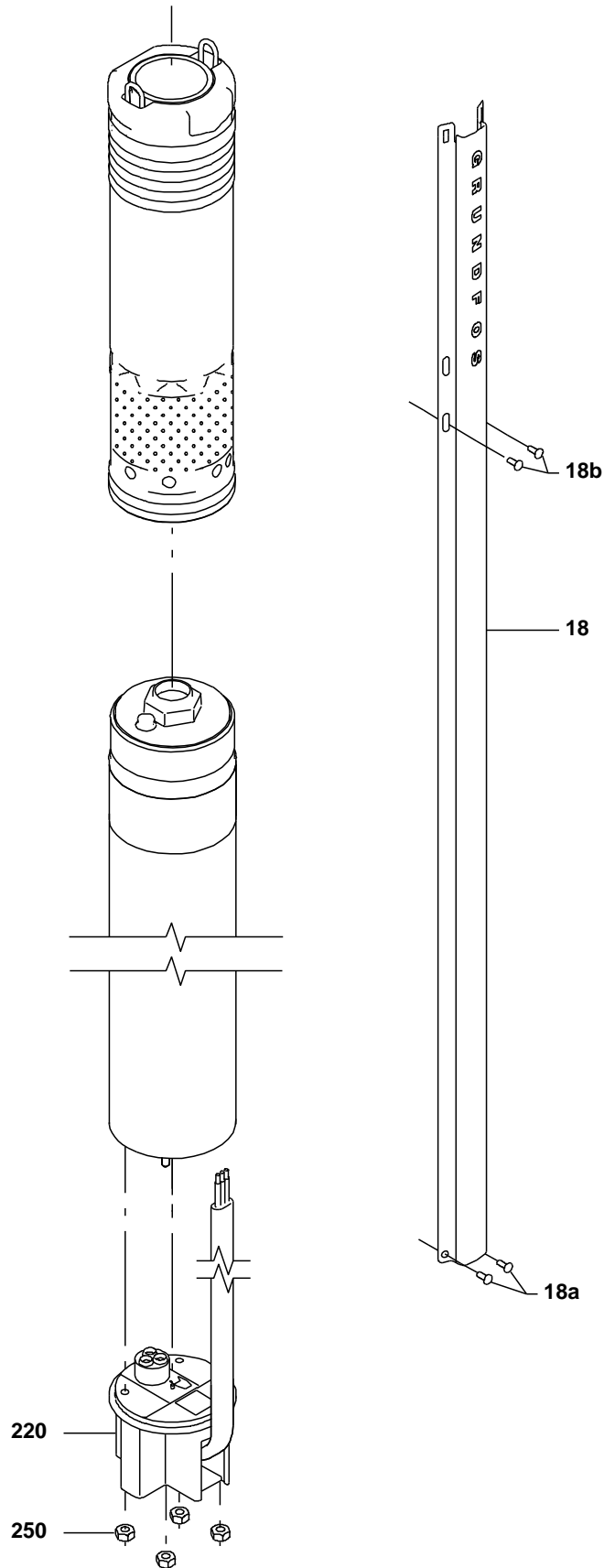
Product name: 10 SQ05-160

Amount: 1

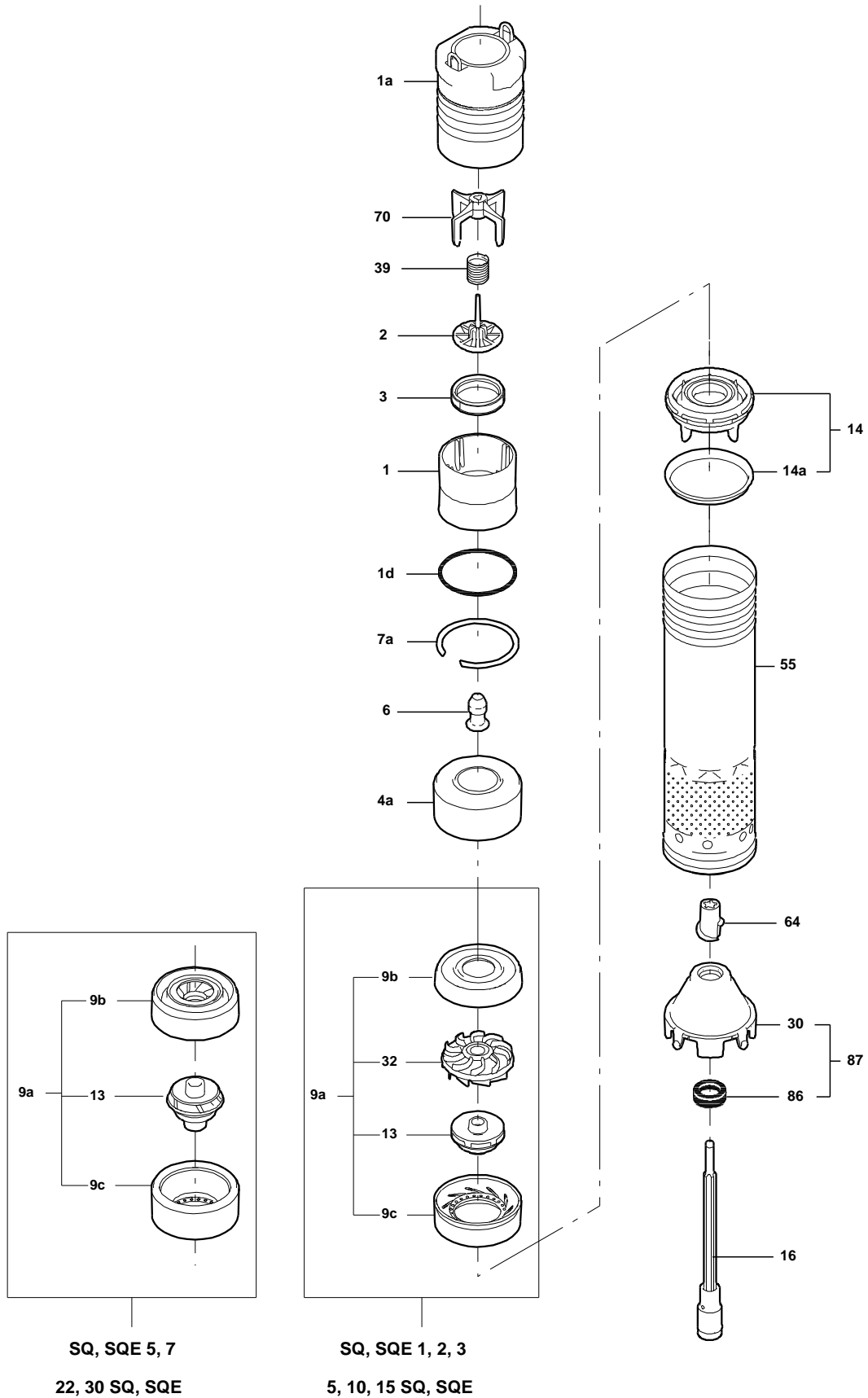
Product No.: 96160167

Total: Price on request

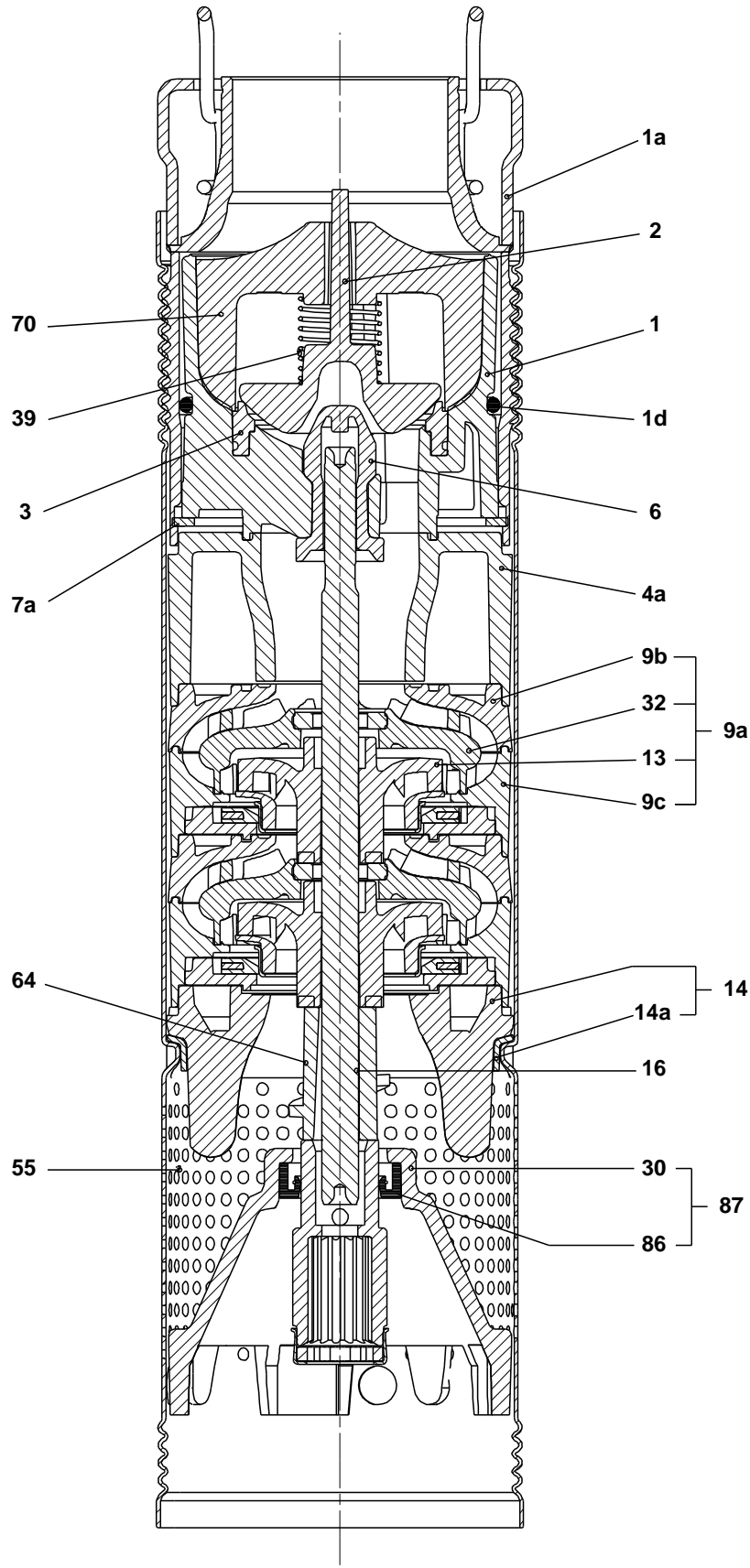
Exploded view (tm021901 2401)



Exploded view (tm024206 0202)

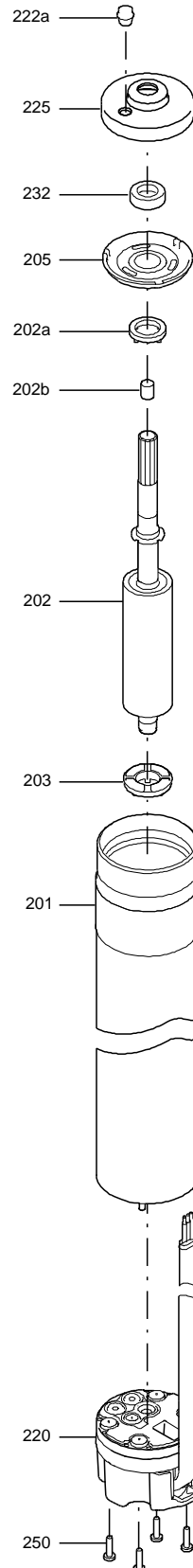


Sectional drawing (tm024207 0202)

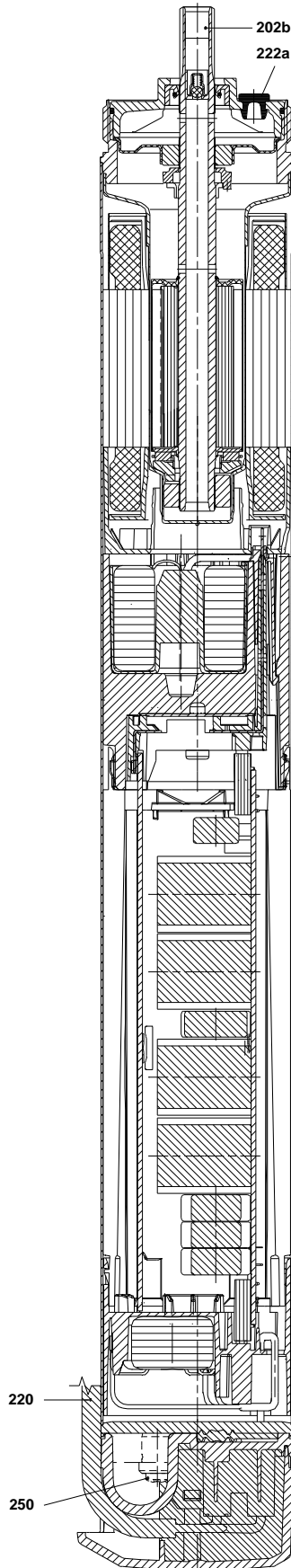


TM024207

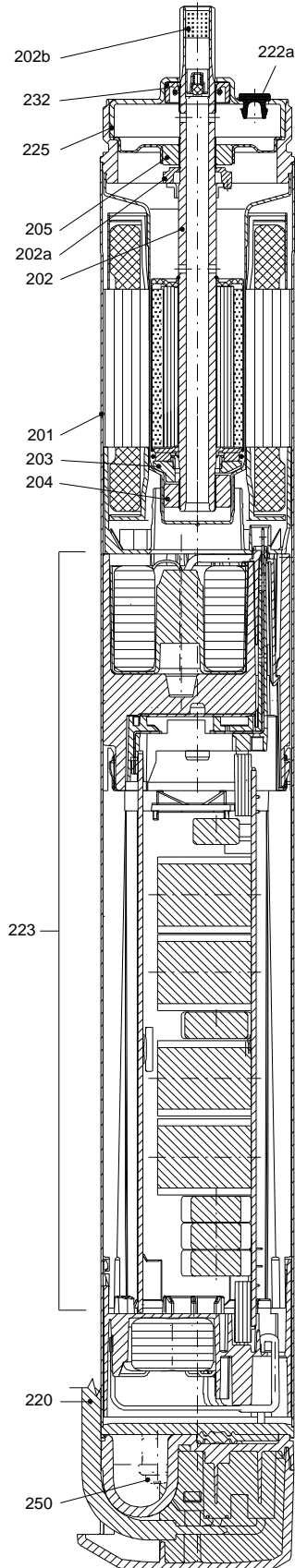
Exploded view (TM012016 3504)



Sectional drawing (TM038215)



Sectional drawing (TM011953 3504)





Company name:

Created by:

Phone:

Date:

2/22/2018

Parts list 10 SQ05-160, Prod number 96160167

Valid from 3.12.2012 (1249)

| Position | Description | Annotation | Classification data | Part No. | Count | Unit |
|----------|-------------------|------------|---------------------|----------|-------|------|
| - | Pump w/o motor | | | | 1 | pcs |
| 1a | Discharge chamber | | Thread: NPT 1 1/4" | | 1 | |
| 16 | Shaft cpl. | | Length: 124,6 | | 1 | |
| 55 | Pump sleeve | | | | 1 | |
| - | Motor | | | | 1 | pcs |
| | Cable w/plug | | | | 1 | |
| 250 | Pan head screw | | | | 4 | |
| 18 | Cable guard | | | | 1 | pcs |