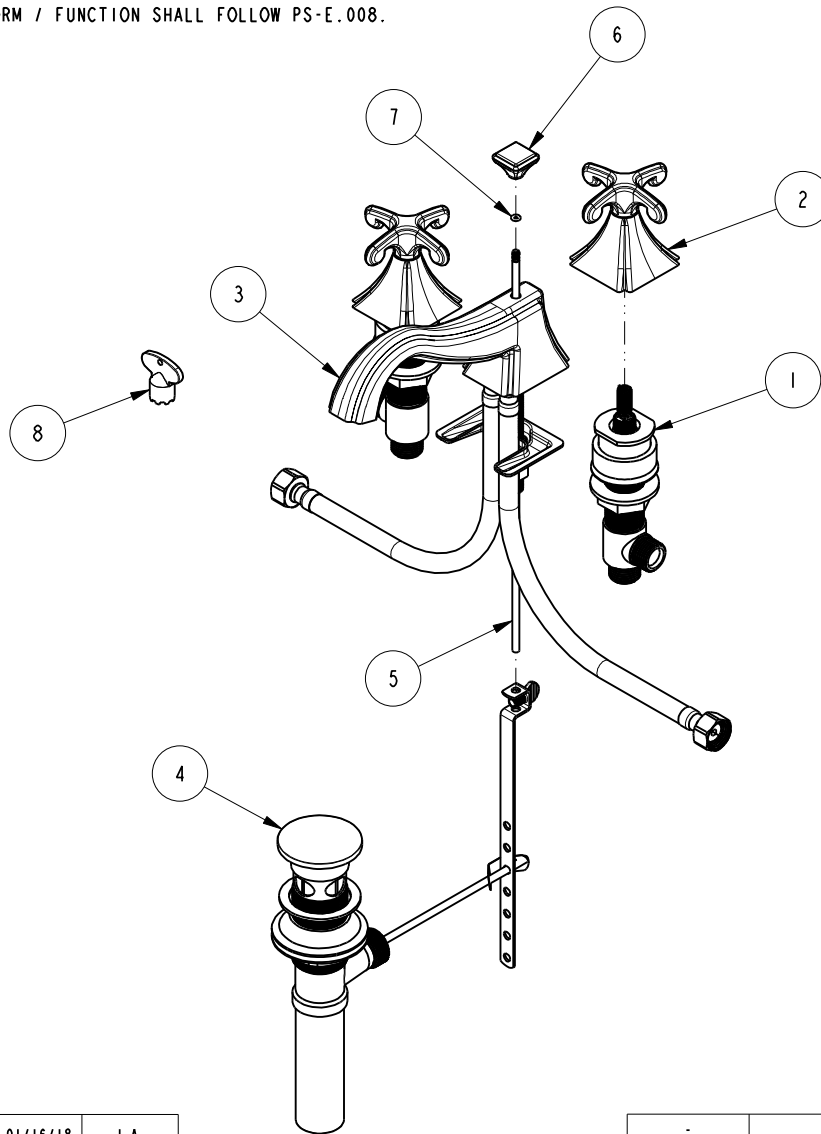


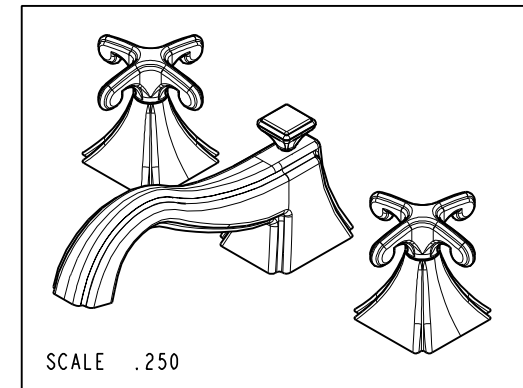
NOTES:

(N1) 1. FIT / FORM / FUNCTION SHALL FOLLOW PS-E.008.



BILL OF MATERIAL (CURRENT LEVEL)

ITEM	PT/ASSY	DESCRIPTION	TYPE	QTY.
1	1-724	W/S VALVE ASM	ASSEMBLY	1
2	3-607	CROSS HANDLE ASM	ASSEMBLY	2
3	8-108	CIRCE W/S SPOUT ASM	ASSEMBLY	1
4	325	POP UP ASSEMBLY	ASSEMBLY	1
5	10288	3/16" POP UP ROD	PART	1
6	80006	POP-UP KNOB (SQ)	PART	1
7	91100	O-RING, #2-006, EPDM, 65-75 DURO	PART	1
8	91379	AERATOR KEY	PART	1



-	E	EN-3435	01/16/18	J.A.
-	D	EN-3129	08/26/16	V.V.
-	C	EN-2027b	07/07/15	AN
-	B	EN-2639	11/14/13	VV
-	A	EN-1907	09/23/11	JM
-	-	EN-1735	06/10/11	JM
ZONE	REV	DESCRIPTION	DATE	APPROVED

COPYRIGHT 2005 BRASSTECH, INC. THESE DRAWINGS AND THE DESIGNS DEPICTED HEREIN ARE THE PROPRIETARY PROPERTY OF BRASSTECH. ANY USE OR REPRODUCTION IS SUBJECT TO THE EXPRESS APPROVAL OF BRASSTECH. UNAUTHORIZED USE IS STRICTLY PROHIBITED. ALL RIGHTS RESERVED.

TESTING	-	-	-
ASSEMBLY	-	-	-
PLATING	-	-	-
POLISHING	-	NEXT ASSY	USED ON
MACHINING	-	APPLICATION	
TOOLING FIXTURE #	REMOVE ALL BURRS AND SHARP EDGES		

UNITS ARE: INCHES [MM]			
TOLERANCES ARE:			
FRACTIONS	DECIMALS	ANGLES	
±1/16"	.X ±.1 [2.5]	±1°	
	.XX ±.06 [1.5]		
(X.XXX) DENOTES CRITICAL DIMS. ALL THREADS ARE CRITICAL			
DRAWN	JINSON	01/16/18	
CHECKED	J.A.	01/16/18	
APPROVED	J.A.	01/16/18	

BRASSTECH 2001 CARNEGIE AVE. SANTA ANA, CA 92705 (949) 417-5207
INCORPORATED

W/S LAVATORY FAUCET-CROSS HANDLES

DWG NO. **2520** REV **E**

SCALE .200 REF. - SHEET 1 OF 2

