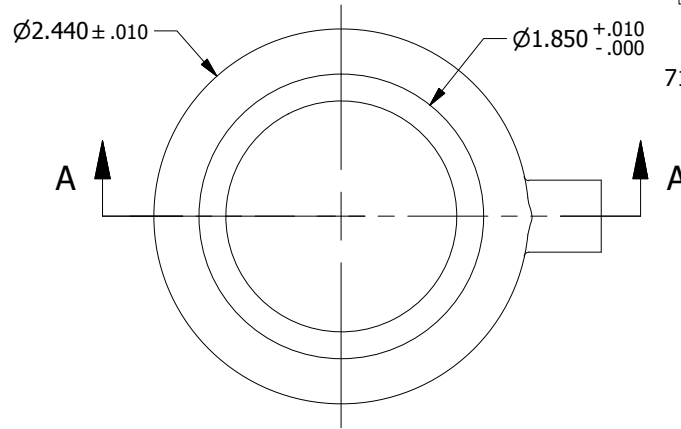
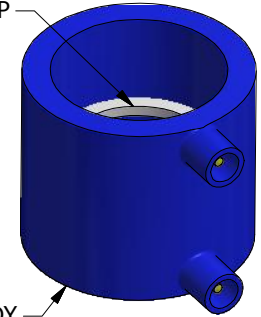


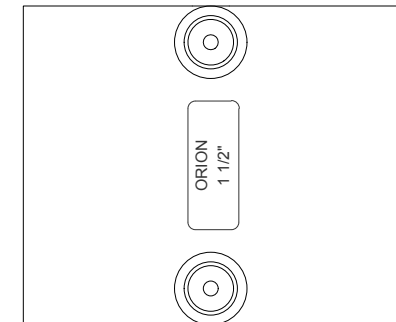
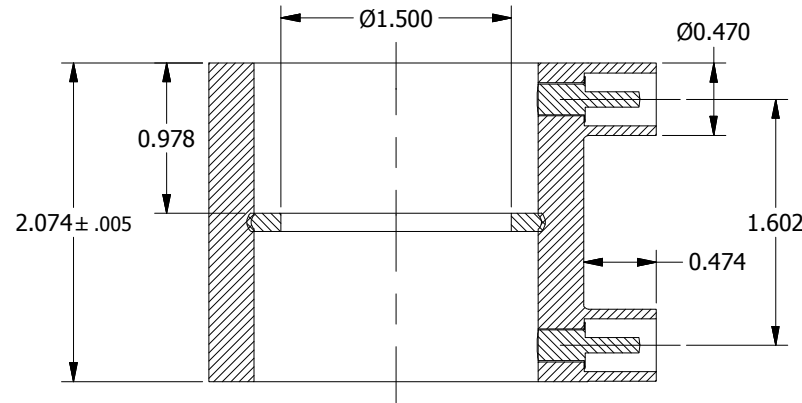
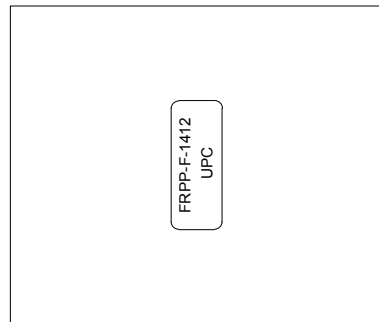
NO.	ALTERATIONS	DATE	BY	CHK'D



718020-RF CF WH 1 1/2 PIPE STOP



718001-RF CF BL 1 1/2 CAR BODY




**NOTES:**

- 1.- THE MOLDED PART MUST BE FREE OF BURRS & FLASH
- 2.- THE SIZE OF THE PIECE MUST BE MARKED
- 3.- THE POSITION ON THE DRAWING OF THE SIZE MARKING IS FOR REFERENCE ONLY
- 4.- ONLY USE VIRGIN RESIN - NOT REGRIND

UNLESS OTHERWISE SPECIFIED DIMENSIONS ARE IN INCHES  
TOLERANCES ARE IN:

DECIMALS	ANGLES	O-O-R
.XX= ±0.010	±0.5°	0.060
.XXX= ±0.005		

EDP. NO.	718000	 <b>WATTS</b> BURLINGTON, ONTARIO, CANADA	<b>ORION FITTINGS</b> KANSAS CITY, KS 66115, USA	PART NO.	-
DWG. NO.	-	TITLE BL RF CF 1 1/2" COUPLING			
REV	0	MATERIAL	WEIGHT	N/A	
PLOT	NTS	703000 VIRGIN 7823/TI14007 PPII 95%	BY	DRAWN	APPRV'D
SCALE	1:1		706006 FLAME RETARDANT BLUE 5%	NAME	VASIM
COLOR	BLUE		DATE	6/11/15	6/11/15
		MATERIAL PPII	PRINTS BEFORE	NOV 06, 2015	ARE VOID