

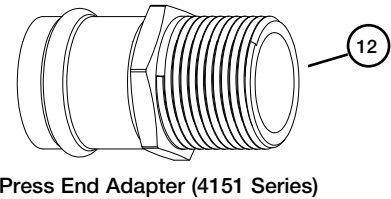
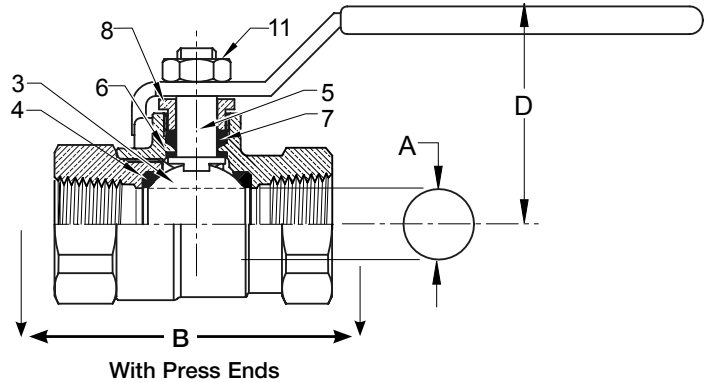
UPBA100/100S* P2 1/2"-2"

Bronze Ball Valve For Potable Water
Two Piece
Standard Port (1" - 2") Full Port (1/2" - 3/4")
200 psig @ 250°F†
Press x Press Ends
Press x Threaded Ends Available (Consult Factory)
Blow-Out Proof Stem
Dimensions and Workmanship Conform to MSS SP-110

MATERIAL LIST

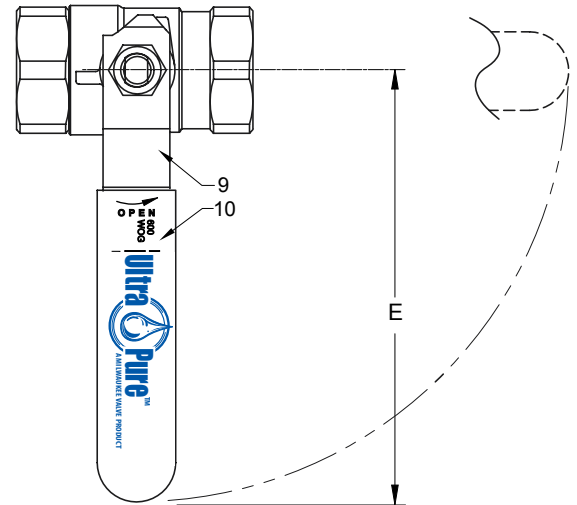
ITEM	PART	MATERIAL	ASTM SPEC
1	Body	Cast Bronze	B584 C89833
2	Tailpiece	Cast Bronze	B584 C89833
3	Ball	Brass w/Hard Chrome Plating	B283 C27450
		316 Stainless Steel (1)	A276 S31600
4	Seat	RPTFE, 15% Glass filled	Commercial
5	Stem	Brass	B21 C46400, H02
		316 Stainless Steel (1)	A276 S31600
6	Thrust Washer	RPTFE, 25% Glass Filled	
7	Packing	PTFE	
8	Packing Nut	Brass	B16 C36000
9	Handle	Steel w/Zinc Plating	Commercial
10	Handle Grip	Vinyl	Commercial
11	Handle Nut	Steel w/Zinc Plating	Commercial
12	Press Adapters	Brass Fitting w/EPDM O-Ring	B283 C27450

(1) Ball and stem are stainless for UPBA100S P2


DIMENSIONS

	UNITS	1/2" DN15	3/4" DN20	1" DN25	1-1/4" DN32	1-1/2" DN40	2" DN50
	A (DIA)	INCHES	0.50	0.76	1.06	1.31	1.56
	mm	13	19	27	33	40	51
STD INSERTION DEPTH	INCHES	0.87	0.98	0.98	1.02	1.42	1.58
	mm	22	25	25	26	36	40
B	INCHES	5.19	6.22	7.17	7.57	8.44	10.30
	mm	132	158	182	192	214	262
D	INCHES	1.91	2.32	2.68	2.82	3.00	3.36
	mm	47	59	68	72	76	85
E	INCHES	3.82	4.55	6.33	6.33	6.33	7.19
	mm	94	116	161	161	161	183

Note: DN (Diameter Nominal)=Metric equivalent size.
†Non-Shock



*Both the valve and 4151 series press end adapters are approved by IAPMO to NSF / ANSI 372 for "lead free" compliance.

Note: Lead free refers to the wetted surface of the pipe, fittings and fixtures in potable water systems that have a weighted average lead content ≤0.25%. Source: California Health and Safety Code (116875).

The information presented on this sheet is correct at the time of publication. Milwaukee Valve reserves the right to change design, and/or material specifications without notice. For the Installation, Operation and Maintenance Manual (IOM) see the Technical/Service Information section on our website. For the most current information access www.milwaukeevalve.com

