

Carbon Steel Ball Valves

three-piece body • full port • blowout-proof stem •
316 SS trim • vented ball

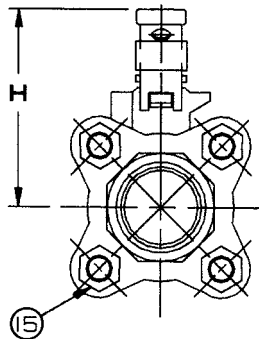
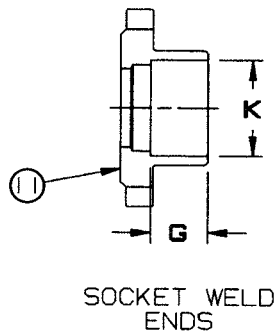
1000 PSI/69 bar non-shock cold working pressure ♦

CONFORMS TO MSS SP-110

MATERIAL LIST

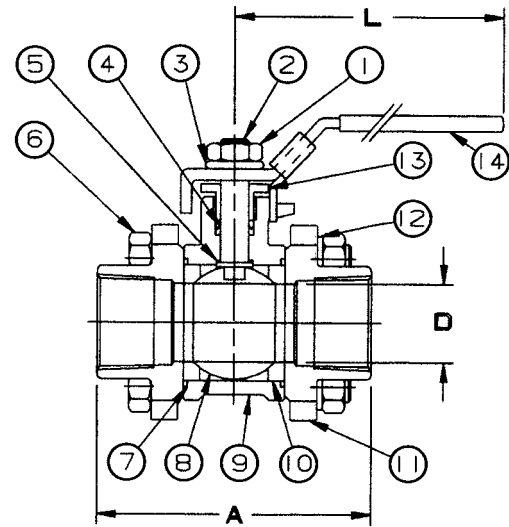
| PART | SPECIFICATION |
|-------------------------|--|
| 1. Handle Nut | Carbon Steel ASTM A 283 |
| 2. Stem | Stainless Steel ASTM A 276 Type 316 |
| 3. Lock Washer | Carbon Steel |
| 4. Stem Packing (1 Set) | Carbon Filled PTFE |
| 5. Thrust Washer | Carbon Filled PTFE |
| 6. Cap Bolt (4) | Carbon Steel ASTM A 193 Grade B7 |
| 7. Union Seal (2) | Reinforced PTFE |
| 8. Ball (Vented) | Stainless Steel ASTM A 276 Type 316 or ASTM A 351 Type CF8M |
| 9. Body | Carbon Steel ASTM A 216 Grade WCB |
| 10. Seat (2) | Reinforced PTFE |
| 11. Body End (2) | Carbon Steel ASTM A 216 Grade WCB |
| 12. Lock Washer (4) | Carbon Steel |
| 13. Threaded Pack Gland | Carbon Steel ASTM A 108 Type 1045 |
| 14. Handle | Carbon Steel ASTM A 283 |
| 15. Cap Nut (4) | Carbon Steel ASTM A 283 |

NOTE: valves are static grounded by thrust washer and packing.



T-595-CS-R-66-LL
Threaded

K-595-CS-R-66-LL
Socket Weld
(1/2" - 2")



T or K 595-CS-R-66-LL
NPT x NPT or SOC x SOC

DIMENSIONS—WEIGHTS—QUANTITIES

| Size | Dimensions | | | | | | | T or K-595-CS-R-66-LL | | Master Ctn. Qty. |
|----------|------------|---------|---------|---------|----------|----------|-----------|-----------------------|--|------------------|
| | A | D | G | K | H | L | Lbs. | Kg. | | |
| In. mm. | In. mm. | In. mm. | In. mm. | In. mm. | In. mm. | In. mm. | In. mm. | | | |
| 1/4 8 | 2.36 60 | .34 9 | — — | — — | 2.18 55 | 4.17 106 | .97 .44 | | | 10 |
| 3/8 10 | 2.36 60 | .34 9 | — — | — — | 2.18 55 | 4.17 106 | .97 .44 | | | 10 |
| 1/2 15 | 2.76 70 | .56 14 | .38 10 | .86 22 | 2.38 60 | 4.17 106 | 1.23 .56 | | | 10 |
| 3/4 20 | 3.03 77 | .81 21 | .50 13 | 1.07 27 | 2.87 73 | 5.71 145 | 1.91 .87 | | | 10 |
| 1 25 | 3.62 92 | 1.00 25 | .50 13 | 1.34 34 | 2.95 75 | 5.71 145 | 2.93 1.33 | | | 8 |
| 1 1/4 32 | 4.13 105 | 1.25 32 | .50 13 | 1.69 43 | 3.66 93 | 7.36 187 | 4.27 1.94 | | | 5 |
| 1 1/2 40 | 4.72 110 | 1.50 38 | .50 13 | 1.93 49 | 3.94 100 | 7.36 187 | 6.01 2.73 | | | 5 |
| 2 50 | 5.43 138 | 1.97 50 | .62 16 | 2.42 61 | 4.25 108 | 7.95 202 | 9.50 4.32 | | | 5 |

Visit our website for the most current information.

♦For detailed operating pressure, refer to pressure temperature chart on page 66 and 67.