



ECO-VALVE

Figure # 232AB

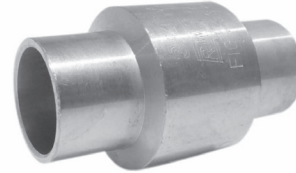
Low Lead Brass In-line Check Valve

Product Features

- 200# WOG
- Forge Brass Body
- Solder Ends
- Spring loaded
- Horizontal or Vertical Installation
- FPM Soft Seat
- AB1953, NSF/ANSI 61 & NSF/ANSI 372 Certified

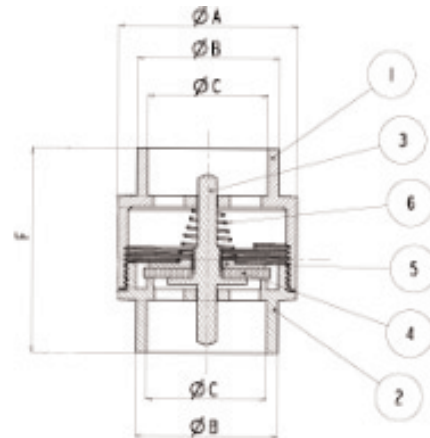


Certified to
ANSI/NSF 61



Materials & Specifications

Item	Description	Material	Specification
1	Body	Low Lead Brass	CW510L
2	Body Cap	Low Lead Brass	CW510L
3	Disk Body	Low Lead Brass	CW510L
4	Seat	FPM	NSF approved
5	Disk Seat	Low Lead Brass	CW510L
6	Spring	Steel	SS304



Dimensions, Weights (inches-lbs.) & Valve Data

Size	1/2	3/4	1	1-1/4	1-1/2	2	
A	1.18	1.46	1.73	2.20	2.48	3.07	
B	0.79	1.04	1.29	1.56	1.81	2.32	
C	Min	0.627	0.877	1.128	1.378	1.628	2.128
	Max	0.631	0.881	1.132	1.382	1.633	2.133
F	2.36	2.68	3.15	3.54	3.94	4.33	
Cv	2.4	3.1	3.8	10.7	13.8	20.2	
Wt	0.26	0.40	0.56	0.95	1.39	2.10	

RED-WHITE VALVE CORP.

20600 Regency Lane, Lake Forest, CA 92630

TEL: 949.859.1010 • FAX: 949.859.7200 • www.redwhitevalvecorp.com

(160629)