

Part No: P302-020C

LabWaste®

Bend/Ell

Desc: 2 CPVC L/W STREET 1/4 BEND SPIGOTXHUB

MSRP: 56.04

Part Code: 160

Weight(lbs): 0.322

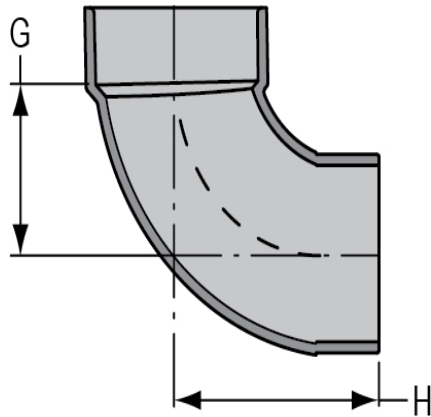
Weight(kg): 0.146

Weight(gm): 146

Size: 2"

Color: GRAY

Material: CPVC



G = 2-5/16

H = 3-1/4

Type 1/4 Bend, Street - 90°

Connection Hub x Spig

Injection Molded Dimension References:

G = (LAYING LENGTH) intersection of center lines to bottom of socket/thread; 90° elbows, tees, crosses; ± 1/32 inch.

H = Intersection of center lines to face of fitting; 90° elbows tees, crosses; ± 1/32 inch.

J = Intersection of center lines to bottom of socket/thread; 45° elbows; ± 1/32 inch

L = Overall length of fittings; ± 1/16 inch.

M = Outside diameter of socket/thread hub; ± 1/16 inch.

N = Socket bottom to socket bottom; couplings; ± 1/16 inch.

W = Height of cap; ± 1/16 inch

Typical Molded Dimension References

