



**McAllister®**  
under-mount kitchen sink  
**J11447**

**Features**

- No faucet holes; requires wall- or counter-mount faucet.
- 8"-deep single bowl.
- 3-3/4" drain opening.
- Rectangular bowl.
- Includes reveal and no-reveal option.
- 3 per pack.
- Strainer not included.

**Material**

- Stainless steel with a luster finish.
- 20-gauge stainless steel.

**Technology**

- SilentShield® sound-absorption technology offers quieter performance.

**Installation**

- Under-mount.

**Recommended Products/Accessories**

7400 Sink Strainer

**Included Components**

Additional Components:

91915 Hardware Kit



ADA

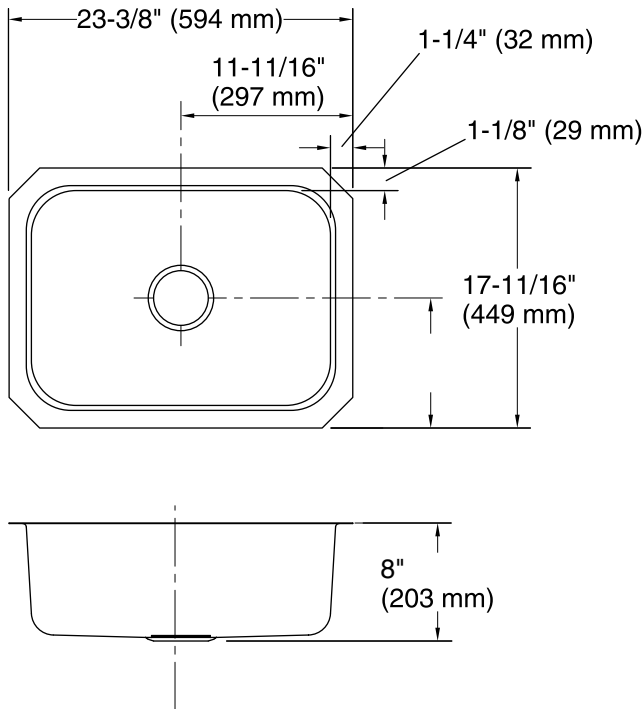
**Codes/Standards**

ASME A112.19.3/CSA B45.4

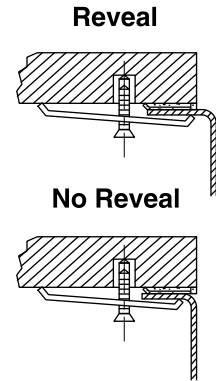
ADA

**STERLING® Warranty - Stainless Steel Sinks**

See website for detailed warranty information.



Mounting bracket assembly provides a secure installation.



### Technical Information

All product dimensions are nominal.

Bowl configuration:	Single
Installation:	Under-mount
Min. base cabinet width:	27" (686 mm)
Bowl area (Only):	Length: 23-3/8" (594 mm) Width: 17-11/16" (449 mm) Bowl depth: 8" (203 mm) Water depth: 8" (203 mm)
Drain hole:	3-3/4" (95 mm)
Template:	1064257-7, required, included

### Notes

Install this product according to the installation instructions.

Measure your actual product for roughing-in details.

ADA compliant when installed to the specific requirements of these regulations.