

BLUCHER Drainage Systems are a diverse range of stainless steel products designed specifically for hygiene, heat tolerance and fast installation.

With the added resistance of grade 316 stainless steel, Blucher drainage is widely used in food processing, laboratories, stormwater, tradewaste and vacuum systems.

More information can be found at www.blucher.com.au



Go straight to our website, just scan the QR code with your smart phone or tablet!

Blucher Stainless Drainage **EuroPipe Drainage System**

EP
1

Stainless steel drainage pipe & fittings that install very quickly using a push-fit join design, stable & straight under high temperatures.

Blucher Stainless Drainage **Industrial Drains**

ID
1

A high quality floor drain system designed specifically with hygiene & cleanability in mind for commercial and industrial applications.

Blucher Stainless Drainage **Channel Drains**

CH
1

Suitable for a range of applications, load ratings and flooring requirements, our channel (trench) drains are designed specifically for hygiene & performance.

Blucher Stainless Drainage **Light Duty Drains**

LD
1

Stainless steel drainage products for pedestrian loads such as schools, changerooms, apartments & residential applications.

Blucher Stainless Drainage **Technical Information: Installing, Using & Tools**

TD
1

We have extensive experience since introducing stainless steel drainage systems to Australia over 24 years ago.



BLUCHER Australia supply drainage press-fit and tooling solutions.

We've been working with plumbers, installers and consultants for over 24 years to deliver the highest quality products for their individual projects.

From these projects, we've gained an extensive experience in large, complex and specialised installations with our team around the country able to support our customers.



Customer Service

- We offer a high level of customer service before, during and after supply.
- Sales representatives covering each state.
- Onsite assistance and tool training.
- Dedicated Customer Support Centre.

Technical Support

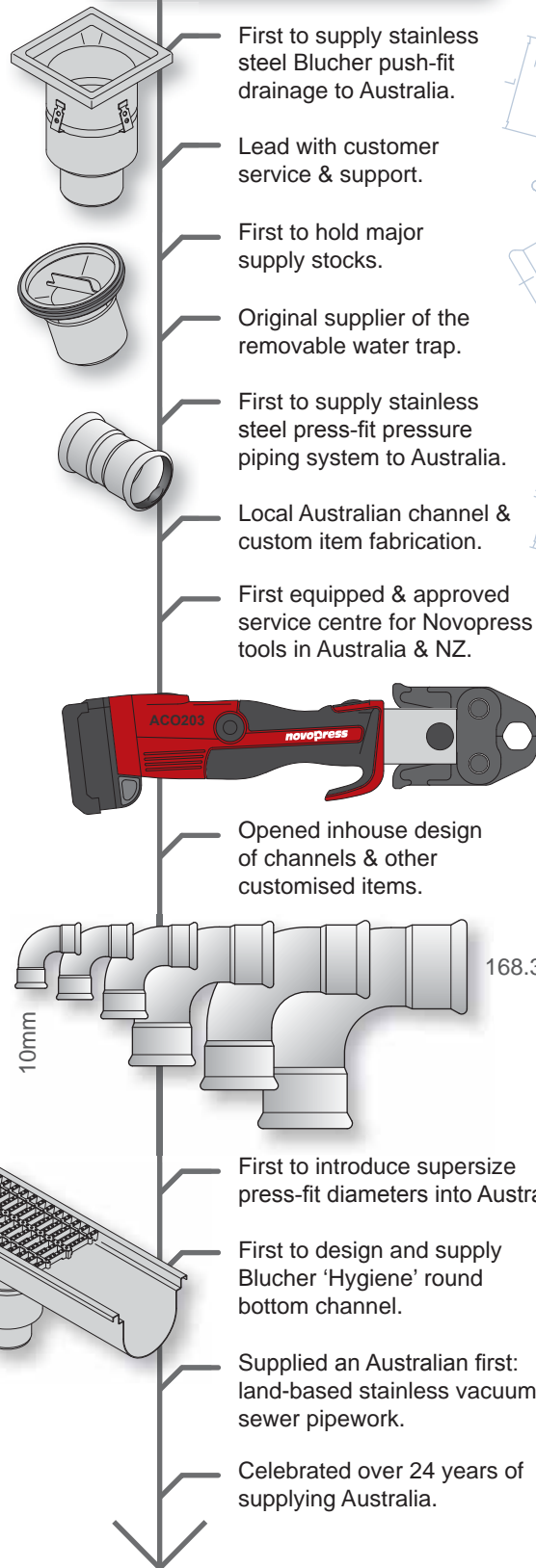
We lead in data and practical experience with extensive resources of information and testing, support from metallurgists & water analysis testing for specialised applications.

Quality Products

We stock in Australia the original design of system products, proven by over 45 years of installed performance across the world.

Design & Manufacturing Services

- CAD & Revit model libraries.
- In-house design & trade experienced team.
- Project specific designs to your requirements, large or small.
- We manufacture our channels & custom products in Australia.

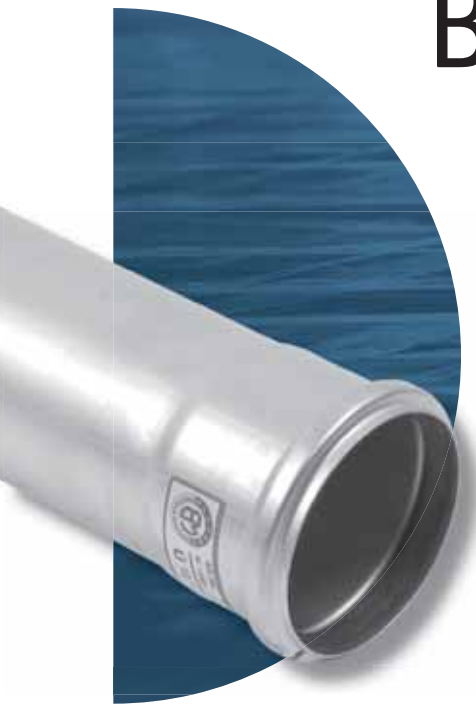


www.blucher.com.au

we lead, others follow...



BLUCHER EuroPipe®



BLUCHER EuroPipe stainless steel push-fit drainage system is widely used for food processors, laboratories, stormwater, trade waste and vacuum systems.



System & Components



WaterMark

Components

Check our website for WaterMark & Trade Waste approved product listings.

Blucher Drainage
EuroPipe Drainage

Blucher Drainage
Industrial Drains

Blucher Drainage
Channel Drains

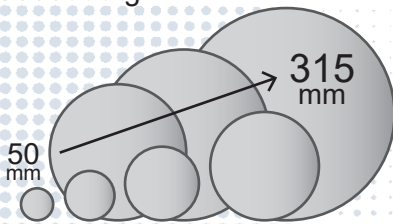
Blucher Drainage
Light Duty Drains

Blucher Drainage
Technical

page
EP
1

Easy to Install

- Fast and reliable push-fit design - no glue or welding.



Diameters 50 to 315mm.

- Lightweight to carry and position onsite.
- Stays straight for transport and installing.
- Pipe lengths are easily cut to length onsite.
- EuroPipe can easily adapt to other materials or flanged connections.
- **Stainless steel acid wash mill finish as standard; polished finish on request.**

Reliable & Approved

- EuroPipe is used by leading food processors in demanding hygienic environments since our first supply in 1992.
- Blucher EuroPipe system components are listed with WaterMark & HACCP.

All in the design...

- EuroPipe is suitable for high temperatures.
- EuroPipe expands much less than plastics.
- EuroPipe is resilient to most harsh chemicals.
- EuroPipe is reusable for future alterations.
- Stainless steel is recyclable & reusable with long lifecycle and environmental benefits.

We've worked with many over the years including:

- Beringer Blass
- Cargill Foods
- Carlton United Breweries
- Dairy Farmers
- Fonterra
- KR Castlemaine
- Kraft Foods
- Hilton Hotel
- Murray Goulburn
- Nestle
- Stanbroke Beef
- Swift Australia
- Toyota Motor Corporation
- Uncle Toby's

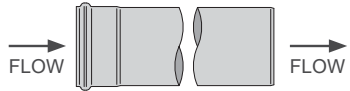


The drainage system of choice for harsh and demanding environments

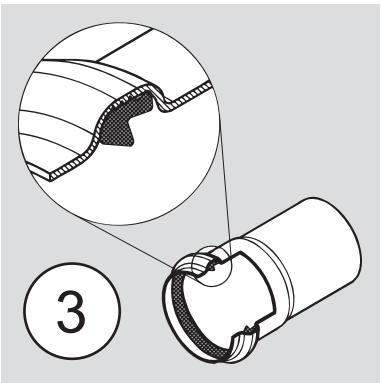
Installing Blucher EuroPipe

Start to install quicker...
Blucher EuroPipe is a socket & spigot system that joins together by pushing the fittings together easily & quickly.

Follow the flow rule...
EuroPipe is directional; the water flow must travel socket to spigot.

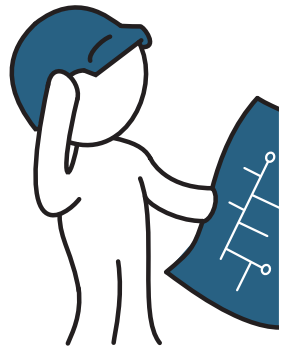


This is only a guide is for standard applications.
For different or specialised applications please contact us first.



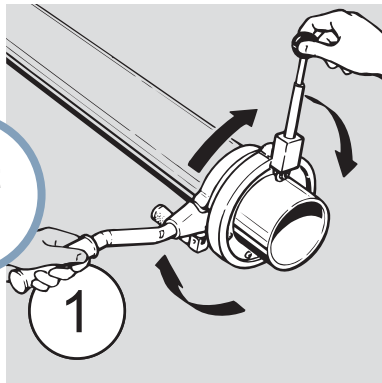
Inspect the Ring Seal
Check that the rubber ring seal is:

- The correct material (colour).
- Mitred edge faces outwards.
- The seal is not damaged.
- Fitting & seal are free of debris.

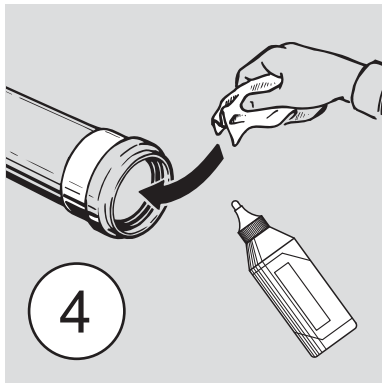


Check for suitability...
Both the drainage material (eg 316L stainless steel) and the elastomer (eg rubber ring seal) must be checked if suitable for the possible fluids and exterior environments - ask us!

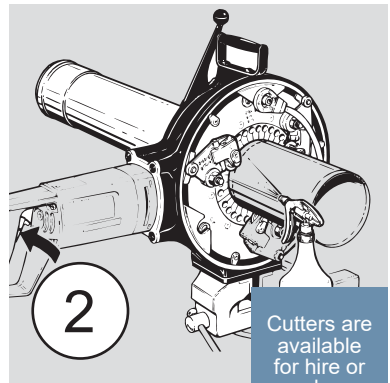
Start here



Ordering & Design
EuroPipe is available in different lengths so choose the length closest to what is needed to reduce offcut waste.
A socket is required for each join.

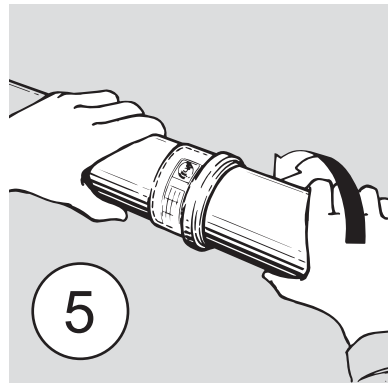


Lubricate the Join
Apply a small amount of Blucher Joining Lubricant to the ring seal inside the socket.
Do not use oil or grease as a lubricant.



Cut to Length
Using a EuroPipe cutter, the length is cut and a bevel formed on the spigot. The bevel protects the ring seal and allows easier joining.
Fittings must not be cut.

Cutters are available for hire or purchase.

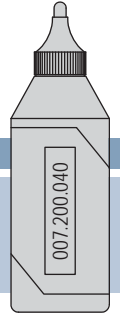


Push, Twist & Pull
Using a slight twisting movement, push the spigot into the socket.
Retract 5-10mm to allow for expansion & contact that occurs within each socket.

Refer to the technical section for installation recommendations & more information.

■ **Installation Lubricant**

Product No	Description
007.200.040	Joining Lubricant - Silicon based, 400mL. <i>Apply a small amount to both ring seal and spigot before pushing together.</i>



Blucher EuroPipe Cutting Tools

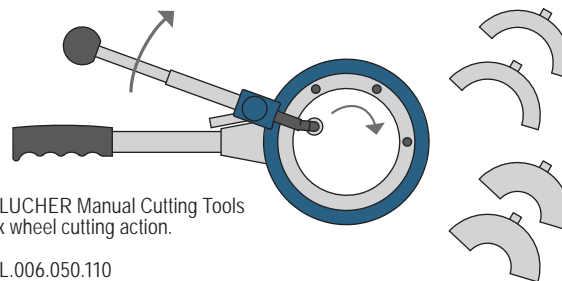
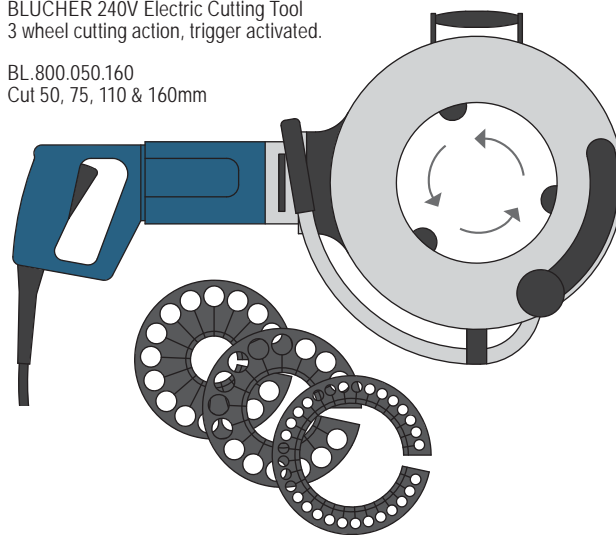
Blucher EuroPipe Cutting Tools are specially designed to cut stainless steel EuroPipe easily & quickly and maintaining the bevel to the spigot end.

Using spacer blocks, different diameter EuroPipe can be cut using the same tool (refer to cutting tools diameter abilities in the table below).

With the piece of EuroPipe locked into position, apply a small amount of cutting lubricant to the cutting wheels and the cut is completed quickly with a bevelled finish.

BLUCHER 240V Electric Cutting Tool
3 wheel cutting action, trigger activated.

BL.800.050.160
Cut 50, 75, 110 & 160mm



BLUCHER Manual Cutting Tools
1x wheel cutting action.

BL.006.050.110
Cut 50, 75 & 110mm

BL.006.125.200
Cut 110, 160 & 200mm

BL.006.200.315
Cut 200, 250 & 315mm

Refer to tool instructions for more information.

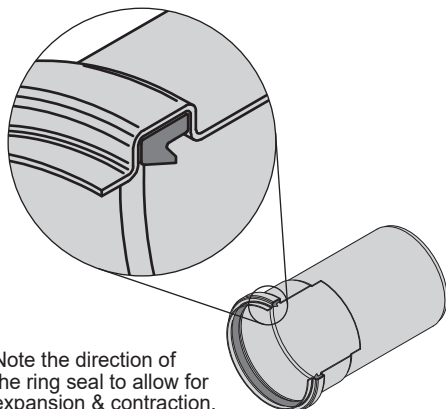
Product No	Type	Cuts EuroPipe Diameters						
BL.800.050.160	Electric	50	75	110	160	-	-	-
BL.006.050.110	Manual	50	75	110	-	-	-	-
BL.006.125.200	Manual	-	-	110	160	200	-	-
BL.006.200.315	Manual	-	-	-	-	200	250	315

Product No	Description
HIRE - ELEC P/C	240v Electric EuroPipe cutter hire/month, (800.050.160), 50 - 160mm.
HIRE - 110 P/C	Manual EuroPipe cutter hire/month, (006.050.110), 50 - 110mm.
HIRE - 200 P/C	Manual EuroPipe cutter hire/month, (006.125.200), 110 - 200mm.
HIRE - 250 P/C	Manual EuroPipe cutter hire/month, (006.200.315), 200 - 315mm.
BL.800.030.006	Cutting Wheel for 800.050.160
BL.006.000.000	Cutting Wheel for 006.050.110
BL.006.000.001	Cutting Wheel for 006.125.200 or 006.200.315

(801) Ring Seals

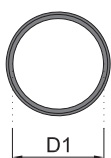
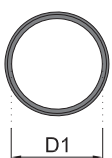
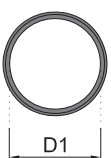
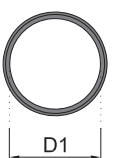
Blucher EuroPipe and fittings have a rubber ring seal fitted within the groove of each socket.

Unless otherwise noted, Blucher EuroPipe is supplied with an EPDM ring seal as standard.



Note the direction of the ring seal to allow for expansion & contraction.

Refer to our Technical Data Sheets for ring seal suitability and resistance.

Type:	Supplied pre-fitted in fittings	Optional extra	Optional extra	Optional extra
	EPDM Standard	FPM (Viton)* High Temp	NBR Oil & Gas	VMQ‡ Fire Resist
	 D1	 D1	 D1	 D1
	Dull Black -40 to +100°C	Purple or Green -25 to +200°C	Black + Yellow Dot -30 to 80°C	Red -50 to +120°C
D1	Product No	Product No	Product No	Product No
50	801.EPDM.050	801.FPM.050	801.NBR.050	801.SI.050
75	801.EPDM.075	801.FPM.075	801.NBR.075	801.SI.075
110	801.EPDM.110	801.FPM.110	801.NBR.110	801.SI.110
160	801.EPDM.160	801.FPM.160	801.NBR.160	801.SI.160
200	801.EPDM.200	801.FPM.200	801.NBR.200	-
250	801.EPDM.250	801.FPM.250	801.NBR.250	-
315	801.EPDM.315	801.FPM.315	801.NBR.315	-

* FPM or Fluorocarbon Rubber is a material equivalent to Viton rubber.

‡ VMQ or Vinyl-Methyl-Silicone is a silicone based rubber.

■ (811) EuroPipe Pipe Lengths

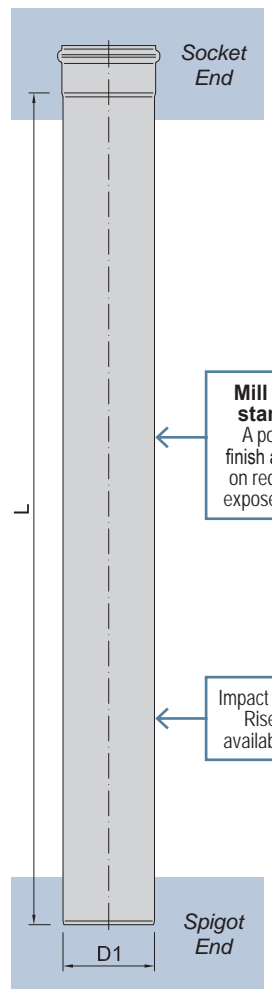
Blucher EuroPipe and fittings are easily joined using the push-fit design of **spigot and socket** fitted with a rubber ring seal.

Blucher EuroPipe is supplied in 316 stainless steel with an EPDM rubber ring seal fitted to the socket end unless otherwise indicated.

316 stainless steel is identified by a letter 'S' at the end of the product code and a green label affixed to the fitting.

Blucher EuroPipe is supplied in various lengths and can be cut to length onsite using a EuroPipe Cutter that finishes the cut with a bevel ready for joining.

Our extensive technical experience is available to help with your individual project requirements or further information.



Mill finish standard
A polished finish available on request for exposed areas.

Impact Resistant Riser also available (813).

50 mm

75 mm

110 mm

160 mm

200 mm

250 mm

315 mm

Material: 316 stainless steel.

Ring Seal: EPDM x1 supplied.

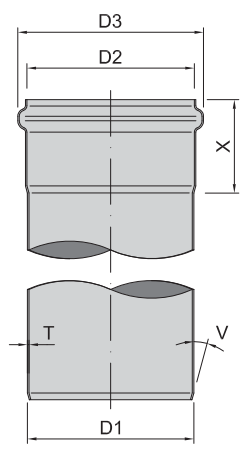
Product No	D1	L	Dry (kg)	Wet (kg)
811.015.050S	50	150	0.2	0.5
811.025.050S	50	250	0.3	0.8
811.050.050S	50	500	0.6	1.5
811.075.050S	50	750	0.9	2.3
811.100.050S	50	1000	1.3	3.1
811.150.050S	50	1500	1.5	4.2
811.200.050S	50	2000	2.4	6.0
811.300.050S	50	3000	3.6	9.0
811.400.050S	50	4000	4.8	12.0
811.015.075S	75	150	0.3	0.9
811.025.075S	75	250	0.5	1.5
811.050.075S	75	500	0.9	3.0
811.075.075S	75	750	1.4	4.5
811.100.075S	75	1000	1.8	6.0
811.150.075S	75	1500	2.8	9.0
811.200.075S	75	2000	3.7	12.1
811.300.075S	75	3000	5.4	18.0
811.400.075S	75	4000	7.4	24.1
811.015.110S	110	150	0.4	1.8
811.025.110S	110	250	0.7	3.0
811.050.110S	110	500	1.4	6.0
811.075.110S	110	750	2.0	8.9
811.100.110S	110	1000	2.7	11.9
811.150.110S	110	1500	4.1	17.8
811.200.110S	110	2000	5.4	23.7
811.300.110S	110	3000	8.1	35.6
811.600.110S	110	6000	16.8	71.8
811.025.160S	160	250	1.7	6.6
811.050.160S	160	500	3.0	12.7
811.075.160S	160	750	4.2	18.8
811.100.160S	160	1000	5.5	25.0
811.150.160S	160	1500	8.0	37.2
811.200.160S	160	2000	10.5	49.5
811.300.160S	160	3000	15.6	74.0
811.600.160S	160	6000	30.7	147.6
811.050.200S	200	500	4.6	19.8
811.100.200S	200	1000	8.3	38.8
811.200.200S	200	2000	15.7	76.7
811.300.200S	200	3000	23.1	114.5
811.050.250S	250	500	5.8	29.8
811.100.250S	250	1000	10.5	58.4
811.200.250S	250	2000	19.7	115.5
811.300.250S	250	3000	29.0	172.7
811.050.315S	315	500	9.9	47.9
811.100.315S	315	1000	17.7	93.7
811.200.315S	315	1867	33.2	175.1
811.300.315S	315	3000	48.8	276.7

Wet weights calculated using full volume filled with water.

Socket and Spigot Details

D1	D2	D3	X	T	Insertion Distance <i>i</i>
50	51	61	42	1	32 - 42
75	76	87	50	1	40 - 50
110	111	123	57	1	47 - 57
160	161	177	72	1.25	62 - 72
200	201	219	90	1.5	80 - 90
250	251	277	108	1.5	98 - 108
315	316	344	116	2	106 - 116

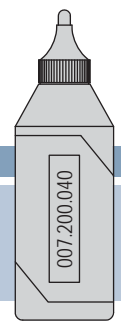
Retract 5-10mm after pushing together for expansion & contraction.



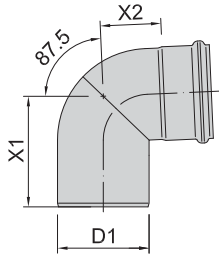
Refer to the technical section for installation guides & other reference information.

■ Installation Lubricant

Product No	Description
007.200.040	Joining Lubricant - Silicon based, 400mL. <i>Apply a small amount to both ring seal and spigot before pushing together.</i>



■ (820) 90 Bend

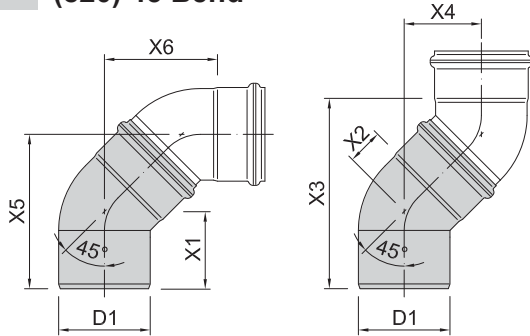


Material: 316 stainless steel.

Ring Seal: EPDM x1 supplied.

Product No	D1	X1	X2
820.090.050S	50	86	40
820.090.075S	75	107	53
820.090.110S	110	134	73
820.090.160S	160	181	105

■ (820) 45 Bend



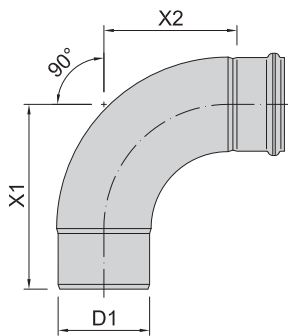
Double 45 Bends shown for offset dimensions only - each bend sold separately.

Material: 316 stainless steel.

Ring Seal: EPDM x1 supplied.

Product No	D1	X1	X2	X3	X4	X5	X6
820.045.050S	50	60	26	148	61	124	90
820.045.075S	75	76	33	184	74	153	110
820.045.110S	110	93	43	230	93	191	141
820.045.160S	160	131	55	316	129	263	188
820.045.200S	200	151	61	362	150	301	211
820.045.250S	250	177	77	434	180	357	257

■ (825) 90 Bend (Swept)



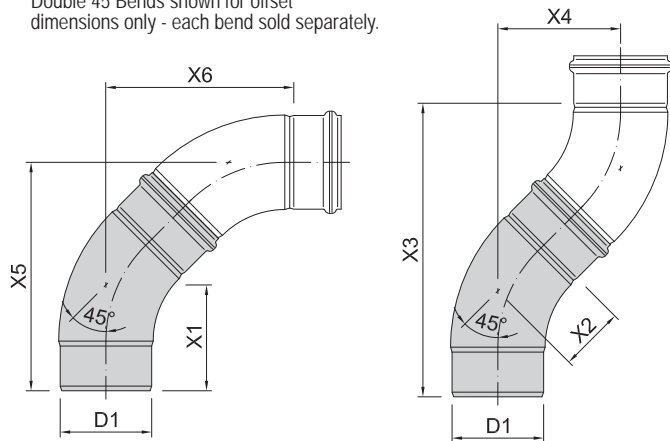
Material: 316 stainless steel.

Ring Seal: EPDM x1 supplied.

Product No	D1	X1	X2
825.090.200S	200	397	307
825.090.250S	250	484	391
825.090.315S	315	538	421

■ (825) 45 Bend (Swept)

Double 45 Bends shown for offset dimensions only - each bend sold separately.

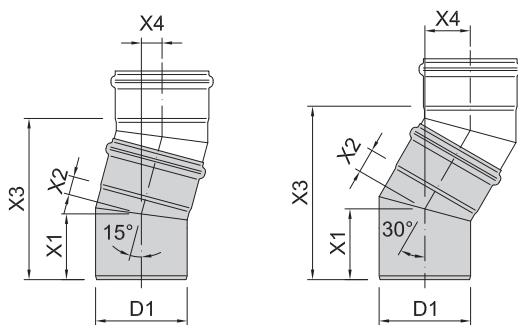


Material: 316 stainless steel.

Ring Seal: EPDM x1 supplied.

Product No	D1	X1	X2	X3	X4	X5	X6
825.045.200S	200	234	144	644	264	502	412
825.045.250S	250	280	187	794	326	615	523
825.045.315S	315	320	204	892	367	687	571

■ (820) 15 Bend & 30 Bend



A 15 Bend

B 30 Bend

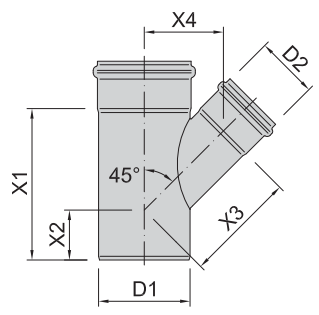
Double 15 & 30 Bends shown for offset dimensions only - each bend sold separately.

Material: 316 stainless steel.

Ring Seal: EPDM x1 supplied.

Product No	Image	D1	X1	X2	X3	X4
820.015.050S	A	50	54	12	134	18
820.015.075S	A	75	66	16	162	21
820.015.110S	A	110	78	21	196	25
820.015.160S	A	160	99	29	250	32
820.015.200S	A	200	123	31	300	38
820.015.250S	A	250	136	38	337	43
820.015.315S	A	315	151	46	388	51
820.030.050S	B	50	57	16	138	37
820.030.075S	B	75	71	21	172	45
820.030.110S	B	110	85	28	209	55
820.030.160S	B	160	110	40	278	73
820.030.200S	B	200	137	45	336	89
820.030.250S	B	250	153	56	384	101
820.030.315S	B	315	172	68	448	121

■ (838) 45 Single Junction

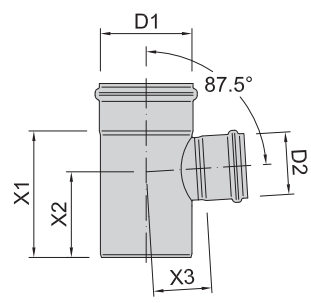


Material: 316 stainless steel.

Ring Seal: EPDM x2 supplied.

Product No	D1	D2	X1	X2	X3	X4
838.050.050S	50	50	128	57	76	54
838.050.075S	75	50	144	56	94	66
838.075.075S	75	75	179	74	110	78
838.050.110S	110	50	147	42	119	84
838.110.110S	110	75	182	60	135	95
838.110.160S	160	110	258	80	186	131
838.160.160S	160	160	328	115	222	156
838.160.200S	200	160	359	123	250	177
838.200.200S	200	200	415	151	274	194
838.200.250S	250	200	432	142	307	217
838.250.250S	250	250	512	177	334	236
838.250.315S	315	250	518	154	382	270
838.315.315S	315	315	621	200	416	294

■ (830) 90 Single Junction

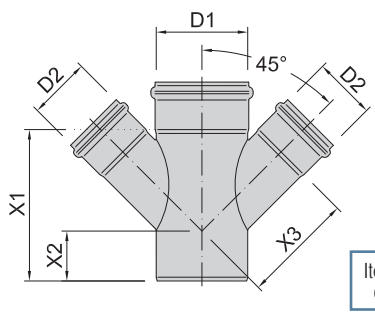


Material: 316 stainless steel.

Ring Seal: EPDM x2 supplied.

Product No	D1	D2	X1	X2	X3
830.050.050S	50	50	106	71	36
830.050.075S	75	50	139	98	49
830.075.075S	75	75	139	90	52
830.050.110S	110	50	132	93	66
830.075.110S	110	75	152	104	70
830.110.110S	110	110	183	117	69
830.110.160S	160	110	236	152	94
830.160.160S	160	160	288	184	104
830.160.200S	200	160	293	186	125
830.200.200S	200	200	333	206	128
830.200.250S	250	200	352	220	155
830.250.250S	250	250	407	245	152
830.250.315S	315	250	416	253	189
830.315.315S	315	315	481	286	196

■ (836) 45 Double Inline Junction



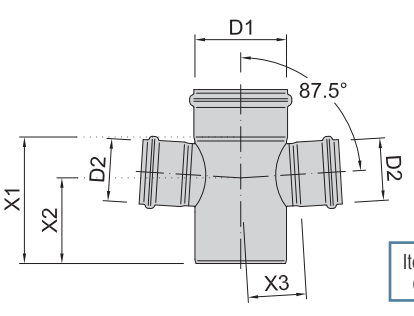
Item available on request.

Material: 316 stainless steel.

Ring Seal: EPDM x3 supplied.

Product No	D1	D2	X1	X2	X3
836.050.050S	50	50	128	57	76
836.050.075S	75	50	144	56	94
836.075.075S	75	75	179	74	110
836.050.110S	110	50	147	42	119
836.075.110S	110	75	182	60	135
836.110.110S	110	110	233	88	149
836.110.160S	160	110	258	80	186
836.160.160S	160	160	328	115	222

■ (831) 90 Double Inline Junction



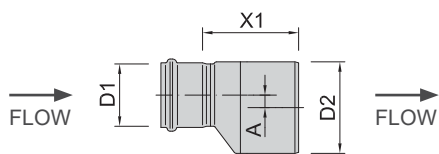
Item available on request.

Material: 316 stainless steel.

Ring Seal: EPDM x3 supplied.

Product No	D1	D2	X1	X2	X3
831.050.050S	50	50	106	71	36
831.050.075S	75	50	139	98	49
831.075.075S	75	75	139	90	52
831.050.110S	110	50	132	93	66
831.075.110S	110	75	152	104	70
831.110.110S	110	110	183	117	69
831.110.160S	160	110	236	152	94
831.160.160S	160	160	288	184	104

■ (850) Increaser Eccentric

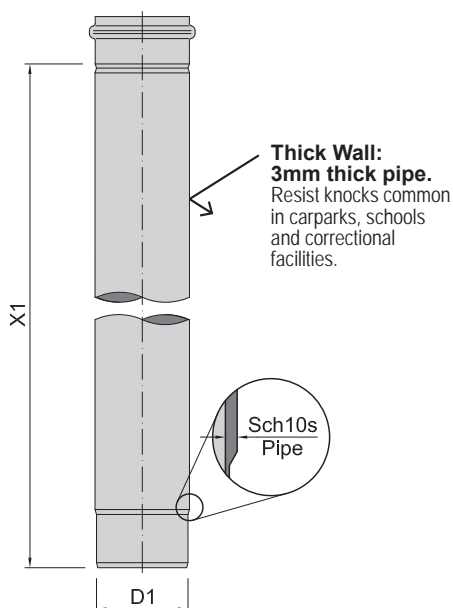


Material: 316 stainless steel. Ring Seal: EPDM x1 supplied.

Product No	D1 → D2	X1	A
850.050.075S	50 75	87	7
850.050.110S	50 110	113	25
850.075.110S	75 110	116	15
850.110.160S	110 160	140	22
850.160.200S	160 200	165	20
850.200.250S	200 250	195	25
850.200.315S	200 315	280	58
850.250.315S	250 315	242	33

■ (813) Impact Resistant Riser

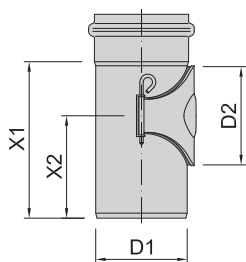
- > Item available in a standard 'mill' or electropolished finish. Specify when ordering.
- > Available in custom lengths up to 6m.



Material: 316 stainless steel. Ring Seal: EPDM x1 supplied.

Product No	D1	X1	Sch10s
813.150.110S	110	1500	3.0
813.300.110S	110	3000	3.0
813.150.160S	160	1500	3.4
813.300.160S	160	3000	3.4

■ (840) Access EuroPipe



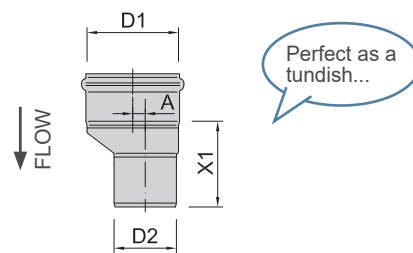
Note: 50mm versions of this product are no longer available.

Replacement Gaskets
840.EPDM.070
840.FKM.070
840.EPDM.100
840.FKM.100

Material: 316 stainless steel. Ring Seal: EPDM x1 supplied. Gasket: EPDM x1 supplied.

Product No	D1	X1	X2	D2	I/O
840.075.075S	75	83	139	80	70
840.110.110S	110	194	123	120	100
840.160.160S	160	277	208	120	100
840.200.200S	200	288	208	120	100

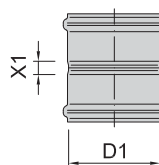
■ (850) Reducer Eccentric



Material: 316 stainless steel. Ring Seal: EPDM x1 supplied.

Product No	D1 → D2	X1	A
850.075.050S	75 50	84	7
850.110.050S	110 50	99	25
850.110.075S	110 75	103	15
850.160.110S	160 110	123	22
850.200.160S	200 160	153	20
850.250.200S	250 200	189	25
850.315.250S	315 250	229	33

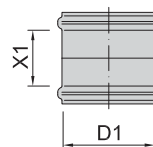
■ (841) Double Socket



Material: 316 stainless steel. Ring Seal: EPDM x2.

Product No	D1	X1
841.050.050S	50	14
841.075.075S	75	19
841.110.110S	110	16
841.160.160S	160	35
841.200.200S	200	20
841.250.250S	250	30
841.315.315S	315	30

■ (842) Sliding Socket (Repair Socket)

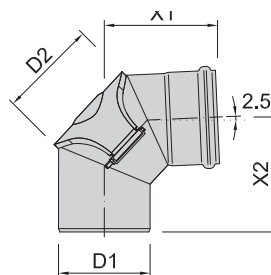


Material: 316 stainless steel. Ring Seal: EPDM x2.

Product No	D1	X1	X2
842.050.050S	50	97	71
842.075.075S	75	120	91
842.110.110S	110	130	97
842.160.160S	160	162	118
842.200.200S	200	200	147
842.250.250S	250	246	173
842.315.315S	315	262	177

Designed with no centre stopper so fitting can slide over EuroPipe to install replacement pipework.

■ (822) Access 90 Bend



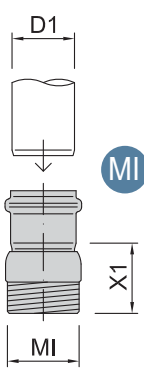
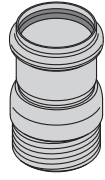
Note: 50mm versions of this product are no longer available.

Alternative: Use a 45 Single Junction, a 45 Bend and a Socket Plug.

Material: 316 stainless steel. Ring Seal: EPDM x1 supplied. Gasket: EPDM x1 supplied.

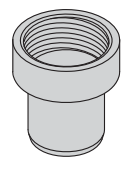
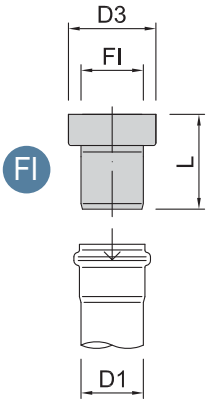
Product No	D1	X1	X2	D2	I/O
822.090.075S	75	111	102	80	70
822.090.110S	110	142	132	120	100
822.090.160S	160	196	201	120	100

Threaded BSP Adaptors



Material: 316 stainless steel.
Ring Seal: EPDM x1 supplied.

Product No	D1	MI BSP	X1
886.050.032S	50	1 1/4"	55
886.050.040S	50	1 1/2"	61
886.050.050S	50	2"	61

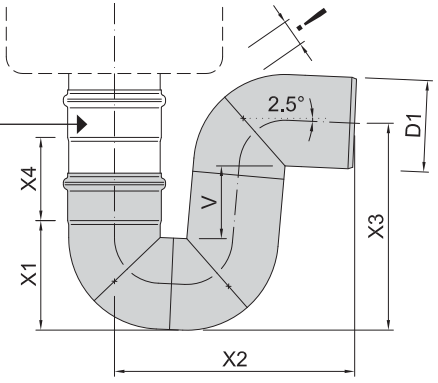


Commonly used for Plug & Waste sink connections.
Can be used with a P-Trap or S-Trap (sold separately).

Material: 316 stainless steel.

Product No	D1	FI BSP	D3	L
885.040.050S	50	1 1/2"	58	75
885.050.050S	50	2"	67	77

(525) P-Trap



Riser Note:
A small vertical length is required to avoid a Drain Bowl hitting the P-Trap.
Riser length sold separately.

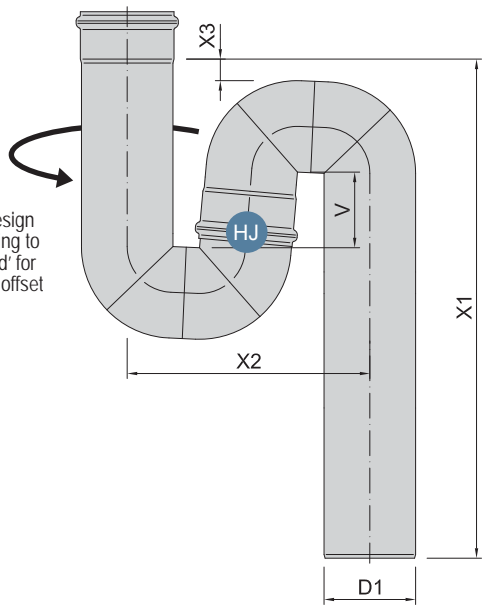
- > P-Trap supplied standard in a 'mill' finish.
- > For exposed installations, polished finish is available on request.
- > Other EuroPipe diameters are available on request.

Material: 316 stainless steel. Ring Seal: EPDM x1 supplied.

Product No	D1	X1	X2	X3	V	Flow max
525.090.050S	50	67	175	145	75	1.7 L/sec
525.090.075S	75	93	222	189	81	2.5 L/sec
525.090.110S	110	132	289	249	89	3.4 L/sec
525.090.160S	160	184	388	338	105	7.5 L/sec

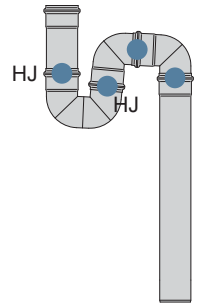
Connecting Options:
Plug & Waste to EuroPipe?
Use a FI or MI threaded adaptor [885 or 886] above.
Copper sizes to EuroPipe?
Use a rubber adaptor on page EP11.

(525) S-Trap



S-Trap design allows fitting to be 'rotated' for a smaller offset distance.

- > S-Trap supplied standard with an electropolished finish.
- > Other EuroPipe diameters are available on request.



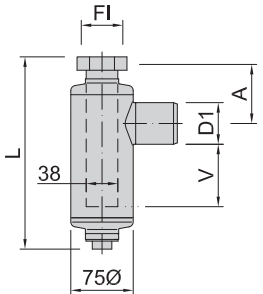
50 & 75mm versions have additional joints

Material: 316 stainless steel.
Ring Seal: 50 & 75mm EPDM x5, 110mm EPDM x2 supplied.

Product No	D1	X1	X2	X3	V	Flow max
525.180.050S	50	660	80-215	45	75	1.7 L/sec
525.180.075S	75	665	116-270	12	78	2.5 L/sec
525.180.110S	110	600	135-280	43	97	3.4 L/sec

HJ We recommend a Joint Clamp is used on hanging joints (HJ) - sold separately.

(505) Bottle Trap

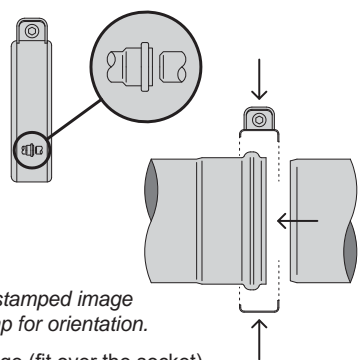


- > Polished stainless steel finish standard for exposed installations below hand basins.

Material: 316 stainless steel (except loose connecting nut & sump are chromed brass).

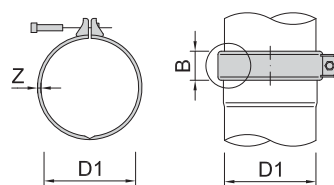
Product No	D1	FI BSP	L	V	A
505.040.050S	50	FI 1 1/2"	233	78	71
505.050.050S	50	FI 2"	243	78	71

■ (847) Joint Clamp



Check the stamped image on the clamp for orientation.

Small lip edge (fit over the socket),
Large lip edge (fit over the spigot).



Material: 304 stainless steel.

Product No	D1	B
847.050.050	50	34
847.075.075	75	34
847.110.110	110	36
847.160.160	160	46
847.200.200	200	44
847.250.250	250	52

Working with Pressure?
Refer "Installing Joint Clamps" in the technical section for the ratings.

Fitting a Joint Clamp:
Joint Clamps are needed where possible pressures or force on a joint could be above +0.5 bar.

Fit the Joint Clamp over the socket 'bump' as shown.

Joint Clamps are also used in conjunction with Thrust Brackets.

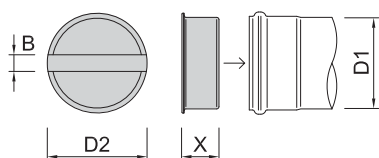
Refer "Installing Joint Clamps" in the technical section for pressure ratings & installation.

Installing Socket Plugs:
Leave the ring seal fitted in the socket when using either type of plug.

Securing both plug types is recommended using a Joint Clamp (sold separately).

Expandable plug type is rated up to +0.5 bar pressure 'expanded & un-clamped'.

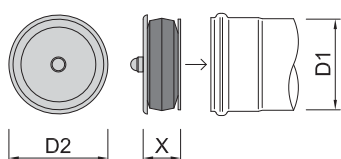
■ (844) Socket Plug - Push-In



Material: 316 stainless steel.

Product No	D1	D2	X	B
844.000.050S	50	58	50	15
844.000.075S	75	85	45	20
844.000.110S	110	120	45	20
844.000.160S	160	170	45	25

■ (844) Socket Plug - Expandable

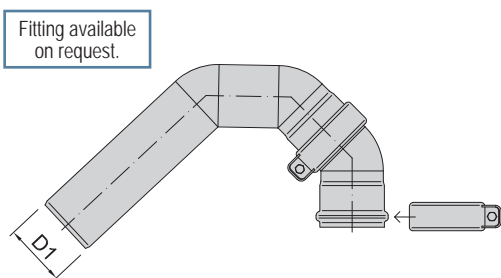


Material: 316 stainless steel.

Plug Seal: EPDM.

Product No	D1	D2	X
844.100.050S	50	58	31
844.100.075S	75	85	36
844.100.110S	110	120	36

■ (874) Vac - Goose Neck

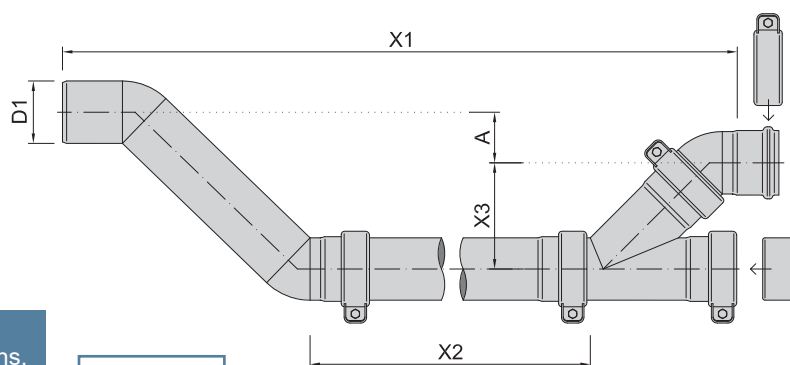


Designed specifically for vacuum drainage installations.

Material: 316 stainless steel. Ring Seal: EPDM x2 supplied. Joint Clamp (847): x2 supplied.

Product No	D1
874.000.050S	50
874.000.075S	75

■ (873) Vac - Transport Pocket



Fitting available on request.

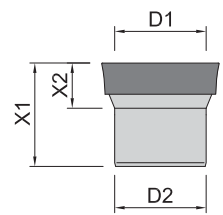
Material: 316 stainless steel.

Ring Seal: EPDM x5 supplied. Joint Clamp (847): x5 supplied. Socket Plug - Push-In (844): x1 supplied.

Product No	D1	X1	X2	X3	A
873.000.050S	50	1178	809	93	61
873.000.075S	75	1290	819	128	61

Further reading: Vacuum Specific and General Technical Information - refer to the Blucher Drainage Technical Section.

■ (855) WC Pan Connector



Item available on request.

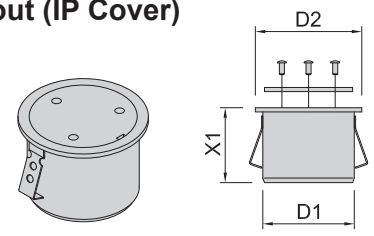
Material: 316 stainless steel. Pan Seal: EPDM.

Product No	D1	D2	X1	X2
855.090.110S	90-110	110	139	54

■ (705) Clearout (IP Cover)

Polished 316 stainless steel top finish.

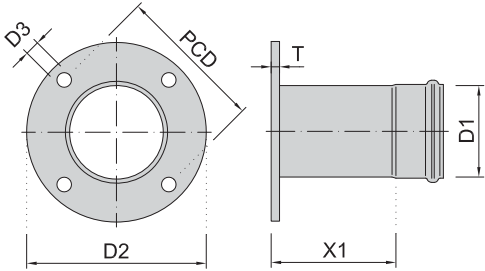
Allen head screws supplied. Security screws also available.



Material: 316 stainless steel. Lid Seal: 0.8mm thick neoprene gasket.

Product No	D1	D2	X1
705.128.110 S	110	128	90
705.180.160 S	160	180	100

■ (850) Adaptor Flange



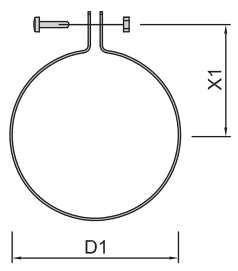
Item available on request.

We manufacture Adaptor Flanges to suit the flange type and pipe length you require.

Material: 316 stainless steel. Ring Seal: EPDM x1 supplied.

Product No	D1	Table	X1	T _{min}	D2	PCD	D3 x qty
850.015.050S EFL	50	E	140	10	150	114	18.0 x4
850.015.075S EFL	75	E	140	11	185	146	18.0 x4
850.015.110S EFL	110	E	140	13	215	178	18.0 x8
850.025.160S EFL	160	E	240	17	280	235	22.0 x8

■ Stainless Steel Brackets



CH Clip Head

Item 'CH' supplied with:
1x S/S Bracket.
1x S/S bolt and Nyloc nut.

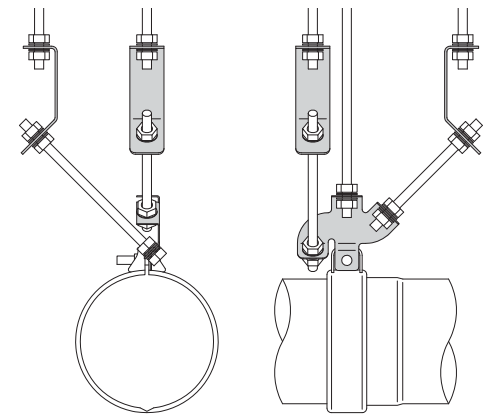
Use either these items with a Clip Head

H Hanging Bracket

Stainless bracket only.

T Wall 'T' Bracket

Stainless bracket only.



S Suspended Thrust Bracket

Item 'S' supplied with:
2x Angled S/S brackets.
1x S/S Bracket Adaptor to (847) Joint Clamp. (Joint clamp sold separately)

Material: 316 stainless steel.

Product No	Image	D1	X1	Thk
CH-050S	CH	50	39	1.5
CH-075S	CH	75	59	1.5
CH-110S	CH	110	82	1.5
CH-160S	CH	160	102	1.5
CH-200S	CH	200	114	1.5
CH-250S	CH	250	139	1.5

Material: 316 stainless steel.

Product No	Image	X1	X2	Thk
316.SB1	H	80	20	3
316.SB4	T	19	20	1.5

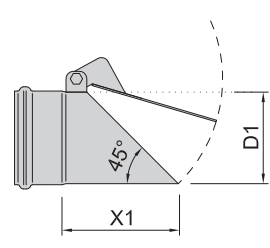
Material: 304 stainless steel.

847.000.000	S	Suspended Thrust Bracket Rated for -0.85 to +3 bar pressures.		
-------------	---	--	--	--

Images show included items shaded.

Other components are sold separately.

■ (898) Vermin Flap



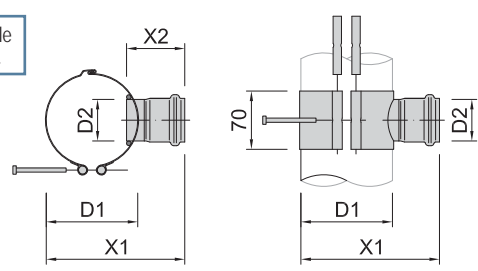
Swinging door prevents the egress of vermin.
 Install horizontally with the hinge tab at the top.

Material: 316 stainless steel. Ring Seal: EPDM x1 supplied.

Product No	D1	X1
898.075.050S	50	75
898.100.075S	75	100
898.135.110S	110	135
898.185.160S	160	185

■ (890) Boss Tee

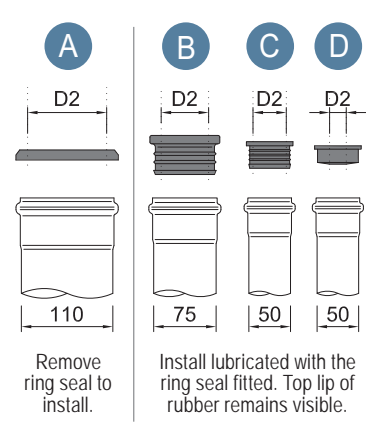
Item available on request.



Material: 304 stainless steel. Ring Seal: EPDM x1 supplied. Gasket: EPDM x1 supplied.

Product No	D1	D2	X1	X2	Seal
890.075.050	75	50	124	70	EPDM
890.110.050	110	50	159	70	EPDM

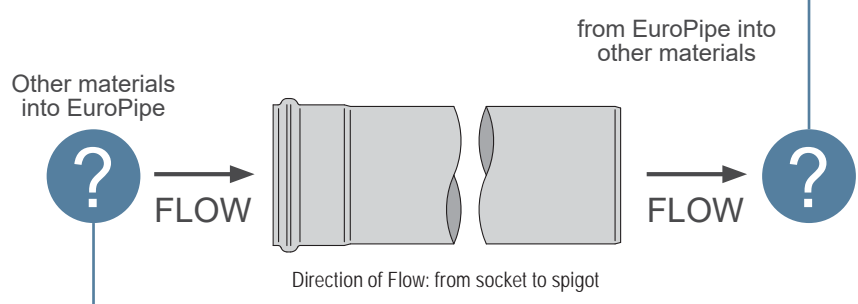
■ Rubber Ring Seal Adaptors



Remove ring seal to install.
 Install lubricated with the ring seal fitted. Top lip of rubber remains visible.

Please check with us before using EuroPipe with other materials.

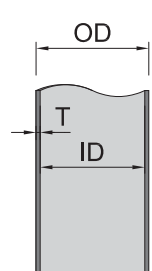
Flowing From EuroPipe:	Notes
EP → HDPE...	Same OD, use HDPE socket for DN50, 75, 110 - 315mm.
110 EP → DWV DN100	Use a PVC Expansion Coupling F-F (ie Iplex #D063100).
EP → Others...	Ensure a sealed joint & the EuroPipe must extend inside the next pipe a minimum length, same as the pipe diameter.



Flowing Into EuroPipe:	Image	Product No	Inlet (D2)	Material
Copper DN100 → 110 EP	A	CONN 110-100	100	EPDM
Copper DN65 → 75 EP	B	CONN 75-65	65	EPDM
Copper DN40 → 50 EP	C	HW59 (300038)	30 - 35	EPDM
Copper DN32 → 50 EP	D	HW58 (300030)	21 -	EPDM
Copper DN25 → 50 EP	D	HW58 (300030)	21 -	EPDM
HDPE → EP...				No adaptor required for DN50, 75, 110 - 315mm.
PVC (DWV) → EP...				No adaptor required for DN100 - 315mm sizes.

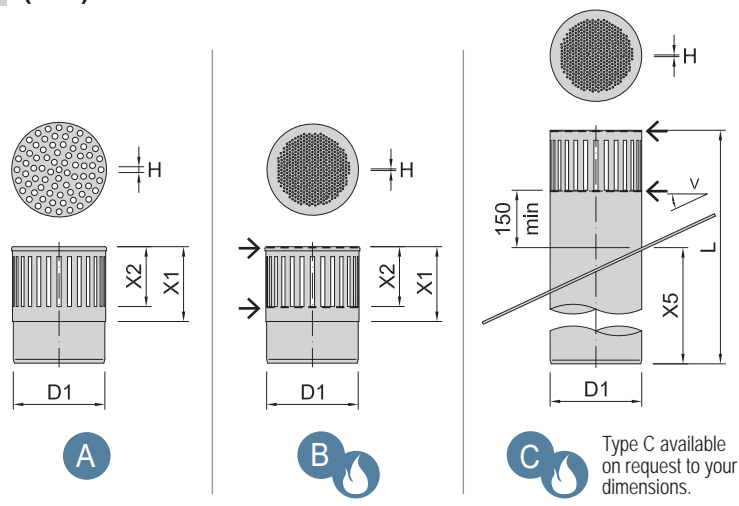
Common Material Pipe Diameters (OD & ID)

Check before ordering as measurements may differ slightly between suppliers.



Material	DN:	40	50	65	80	90	100	150	200	225	250	300
Blucher EuroPipe	OD	-	50	75	-	-	110	160	200	-	250	315
	ID	-	48	73	-	-	108	157.5	197	-	247	311
Copper	OD	38.1	50.8	63.5	76.2	88.9	101.6	152.4	203.2	-	-	-
	ID	34.8	47.5	60.2	72.1	84.8	97.5	147.1	197.9	-	-	-
HDPE	OD	50	56	63	75	90	110	160	200	-	250	315
	ID	44	50	57	69	83	101.4	147.6	187.6	-	234.4	295.4
PVC (DWV)	OD	43	56	69	82	-	110	160	-	250	-	315
	ID	39	51.6	63.6	76.2	-	104	151.6	-	236.8	-	298.2

■ (898) Vent Cowl & Ember Vent Cowl



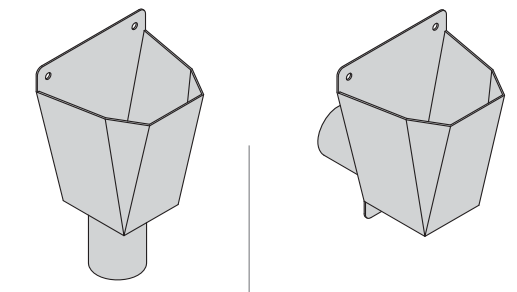
Material: 316 stainless steel.

Product No	Image	D1	X1	X2	H
898.001.050S	A	50	75	70	7
898.001.110S	A	110	80	70	7
898.101.050S	B	50	75	70	2
898.101.110S	B	110	80	70	2
898.102.050S	C	50	-	-	2
898.102.110S	C	110	-	-	2

Indicates item designed for Bushfire Requirements (AS 3959).

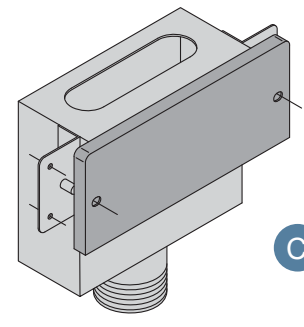
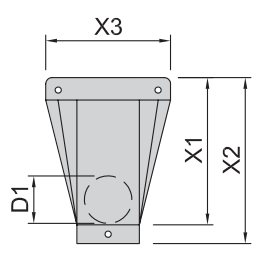
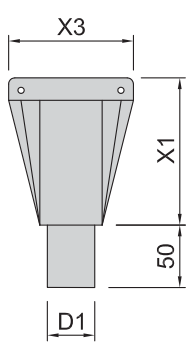
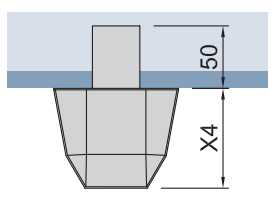
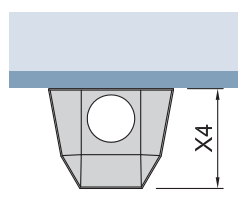
--- Ember vents are constructed with a top & centre screen (level with the side slots) drilled with 2mm diameter holes.

■ Tundish - Wall Mounted & In-Wall



A Wall Mounted Vertical Outlet
Material: 316 stainless.

B Wall Mounted Horizontal Outlet
Material: 316 stainless.



C In-Wall (Ventilated) Vertical Outlet
Material: 304 stainless steel.

Includes:
2x screws to affix cover.

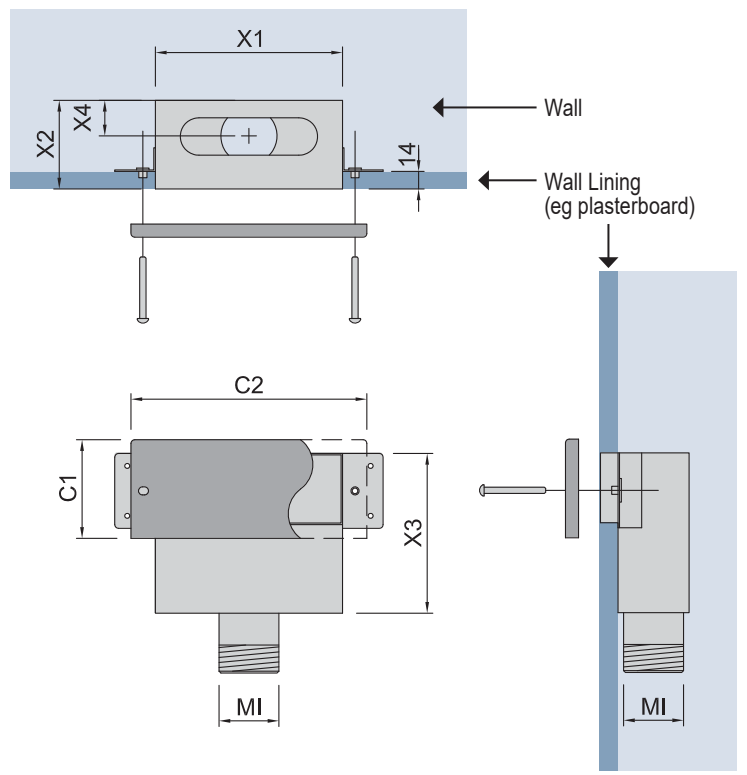
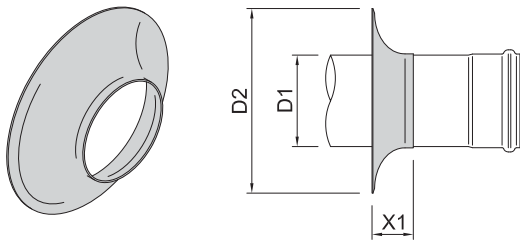


Image	Product No	D1	X1	X2	X3	X4	C1	C2
A	WMT-5-BTM	38	100	-	100	80	-	-
B	WMT-5-BACK	38	100	115	100	80	-	-
C	TUN.INWL.BLU	1 1/2"	150	71	128	25	79	189

■ Cover Flange (Escutcheon Plate)



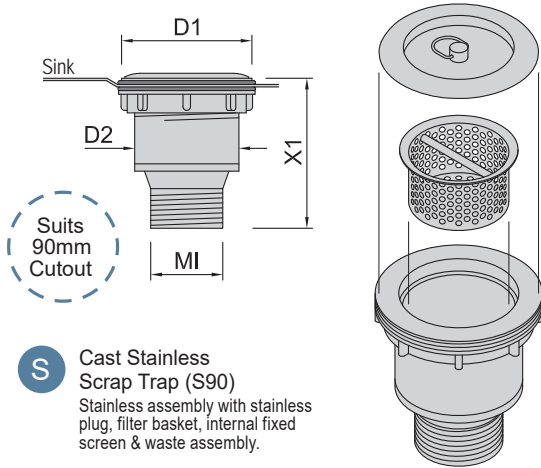
Item available on request.

- > Supplied in a spun finish standard.
- > Other EuroPipe diameters are available on request.
- > EuroPipe shown for clarity, not included.

Material: 316 stainless steel.

Product No	D1	D2	X1
811.CF.050S	50	160	51
811.CF.075S	75	185	51
811.CF.110S	110	221	51
811.CF.160S	160	270	51

■ Stainless Sink Waste Arrestor



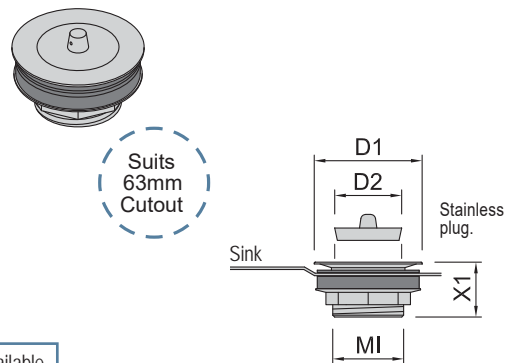
S Cast Stainless Scrap Trap (S90)
 Stainless assembly with stainless plug, filter basket, internal fixed screen & waste assembly.

Material: 304 stainless steel.

Gasket: EPDM x2.

Product No	Image	D1	D2	X1	MI	BSP
3M.SCRAP.S90	S	121	85	88		2"

■ Stainless Plug & Waste



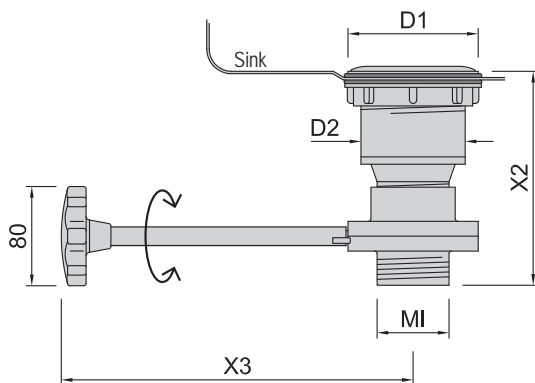
Item available on request.

Material: 316 stainless steel.

Gasket: EPDM x2.

Product No	D1	D2	X1	MI	BSP
3M.PW50-SS316	87	57	45		2"

■ Stainless Sink Arrestor & Valve Assembly

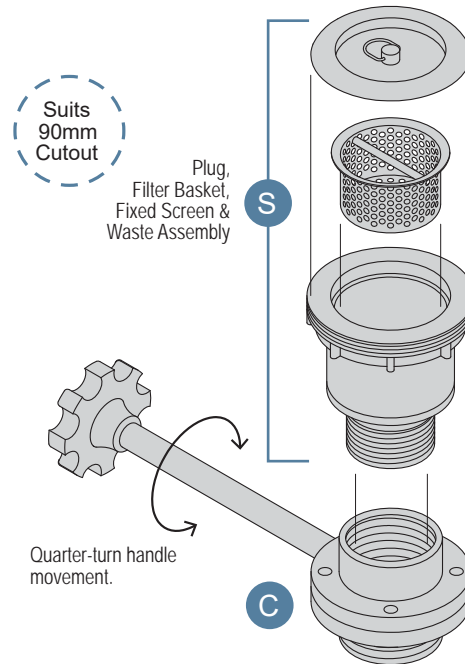


S + C Cast Stainless Scrap Trap with Shut-Off Valve & Handle (C90)
 Empty washing trough without placing hands in hot or dirty water.

Material: 304 stainless steel.

Gasket: EPDM x2.

Product No	Image	D1	D2	X2	X3	MI	BSP
3M.SCRAP.C90	S+C	121	85	172	284		2"



Denso Protective Wrap

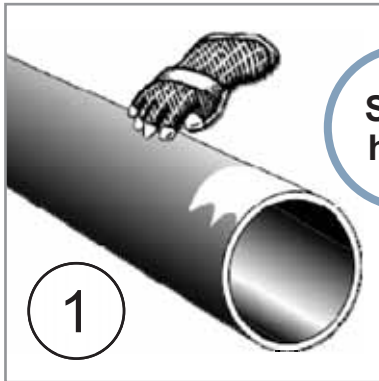
Protect EuroPipe when installed underground...

In some situations where EuroPipe is buried, protecting the pipework with an inert wrapping is recommended.

This is only a simplified guide. For complete installation instructions, visit www.densoaustralia.com.au or contact us first.



HT Indicates suitable for High Temperature operating temperatures as noted.

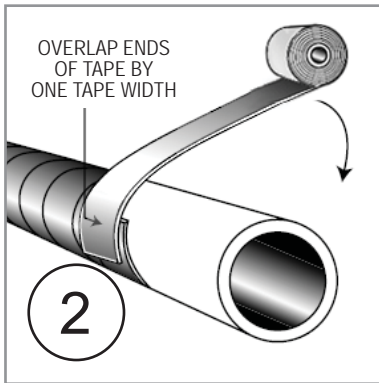


Start here

Priming Surfaces

With the pipe surface clean, brush or hand apply (using gloves) an even coat of Denso Primer over the entire area to be wrapped.

Product No	Temp Max	Vol	Description
DA.P300001	50°C	1L	Denso Multi-Purpose (MP) Primer Paste
DA.P300004	50°C	4L	Denso Multi-Purpose (MP) Primer Paste
HT DA.H104008	120°C	5L	High Temp (HT) Butyl Primer

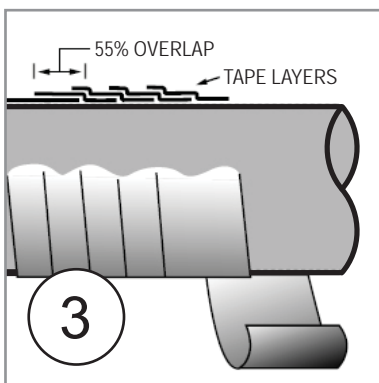


2

Inner Layer Wrap the Pipe

Once priming paste is tack dry, wrap the pipe with a sufficient tension to ensure the tape conforms to the surface of the pipe evenly. Overlap each rotation by half the tape width without gaps or air pockets.

Product No	Temp Max	Width	Length	Description
DA.P600050	50°C	50mm	10m	Denso Tape
DA.P600100	50°C	100mm	10m	Denso Tape
DA.P600150	50°C	150mm	10m	Denso Tape
DA.P610050	75°C	50mm	10m	Densyl Tape
DA.P610100	75°C	100mm	10m	Densyl Tape
DA.P610150	75°C	150mm	10m	Densyl Tape



3

Outer Layer Wrap the Pipe

For protection of the inner layer wrap, apply the outer tape layer in the same manner as step 3. Once wrapped, inspect the wrapped surface and make good to any imperfections.

Product No	Temp Max	Width	Length	Description
DA.P931050	60°C	50mm	30m	Denso PVC Self-Adhere Tape (Blk)
DA.P931100	60°C	100mm	30m	Denso PVC Self-Adhere Tape (Blk)
DA.P931150	60°C	150mm	30m	Denso PVC Self-Adhere Tape (Blk)
HT DA.M220050	200°C	50mm	3m	Denso Glass 'Repair' Wrap
HT DA.M220100	200°C	100mm	3m	Denso Glass 'Repair' Wrap
HT DA.M230100	200°C	100mm	4.5m	Denso Glass 'Repair' Wrap
DA.COMPFILM	-	100mm	300m	Compression Film (for Glass Wrap)

Temp Max refers to the maximum operating temperature the pipework will be exposed to.

Refer to the technical section for installation recommendations & more information.



BLUCHER Industrial®



Premium quality floor drains for areas where hygiene, maintenance and reliability are critically important.



We've worked with many over the years including:

- Cadbury Schweppes
- Cascade Brewery
- Coca Cola Amatil
- Coles
- Coopers Brewery
- Glaxo
- Golden Circle
- King Island Dairy
- Pauls Ltd
- Primo
- Simplot
- Stadium Australia
- Tegel Foods NZ
- Teys Bros
- Woolworths/Safeway
- Yakult

Hygienic Design

- One piece - no laps, cavities or joins.
- Smooth surface finish without burrs or sharp edges.
- Excellent self-cleansing & draining properties.
- Without corners or cavities inside preventing bacteria growth.
- Wide range of hygienic stainless steel gratings suitable for high load ratings.

Reliable & Approved

- Epoxy edge infill standard - strong & hygienic.
- 316 stainless steel construction standard.
- Supermarket approved specification available.
- The system has WaterMark, HACCP & local authority certifications.
- Different top styles for different flooring types.
- Inlets, extra length, oversized and custom designs available on request.

Unique Water Trap

If space or access is a problem we supply a 'Removable Water Trap' which is fitted within the drain bowl removing the need for a traditional P-Trap.



Also check our Blucher Channel Catalogue



See our website for more information including WaterMark & Trade Waste approved product lists.

Blucher Drainage
EuroPipe Drainage

Blucher Drainage
Industrial Drains

Blucher Drainage
Channel Drains

Blucher Drainage
Light Duty Drains

Blucher Drainage
Technical

Select an Industrial Drain

Our extensive experience with food, drink and abattoir processing has designed a floor drain system for industrial and commercial applications where hygiene and reliability are important.

We stock Industrial Drain Bowls with three different tops, depending on the floor material it is to be installed.

Once you've chosen the floor type, use the chart below and follow the arrows to find the page number for the compatible Industrial Drain.

FOOD SAFETY
HACCP AUSTRALIA
PROGRAMME
CERTIFICATION

System & Components

WaterMark
AS 3495
Certificate No. 23028

Components

See our website for more information including WaterMark & Trade Waste approved product lists.



Need something special or unique?

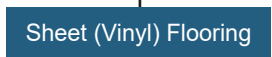
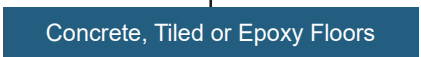


Modified
In Australia

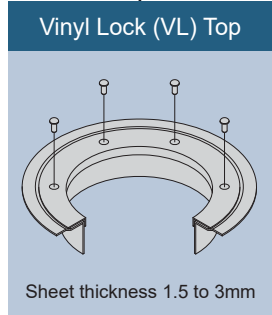
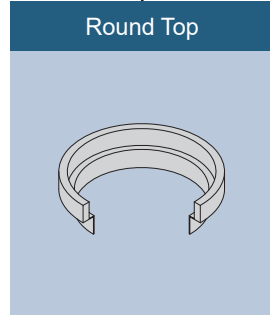
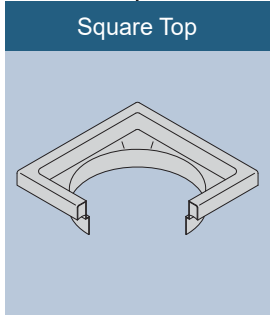
We can modify our stainless products to suit you project including:

Adding inlets, lengthening, pharmaceutical meshes, and much more!

Finished Floor Type:



Drain Bowl Top Type:



Drain Bowl Top Size:



Refer to Page No:

Page 4

Page 5

Page 6

Page 7

Page 8

Page 8

Understand the Industrial Drain Bowl Product Number:

Drain Bowl Type

760
(A) Standard Height, Vertical Outlet.

763
(B) Standard Height, Horizontal Outlet.

766
(C) Low Height, Vertical Outlet.

710
(D) Top Only, Vertical Outlet.

Drain Bowl Top & Floor Type

4
Square Top, Epoxy Edge Infill.

5
Round Top, Solid Stainless Rim.

6
Vinyl Lock Top, Stainless Clamping Ring.

Top Frame Size

2 = ~200mm ('200')

3 = ~300mm ('300')

Material

The letter **S** indicates 316L stainless steel construction.

Product No:

760.402.110S

Outlet Diameter

The outside diameter of the outlet.



Specifying an Industrial Drain

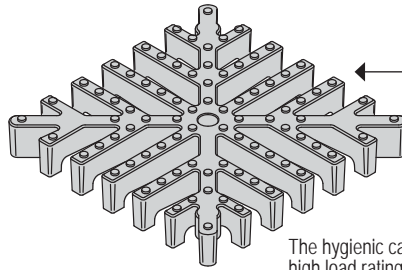
Designed specifically for performance, Blucher Industrial Drain accessories fit within the drain bowl and are easily removed for cleaning.

We're also the first to offer a removable water trap option to allow uninterrupted access to pipework beyond the bowl.

Blucher Industrial Drains are supplied as individual components where, depending on the application or situation, accessories can be added.

Refer to the individual Drain Bowl pages for the product numbers of each compatible accessory.

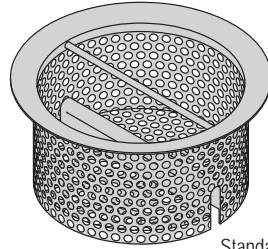
Accessories fit inside the drain bowl...



Grates

A range of grate types are stocked to suit various load, slip & flow ratings. Also available with lock down feature on request.

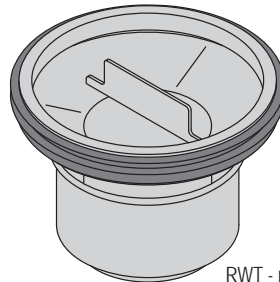
The hygienic cast stainless steel grate (shown) has a high load rating and no places for bacteria to hide.



Filter Baskets

We stock baskets with different mesh sizes to comply local regulations (eg 2 or 3mm) and different capacities (depths) to suit various washdown solid volumes.

Standard Height - use alone or with a RWT.



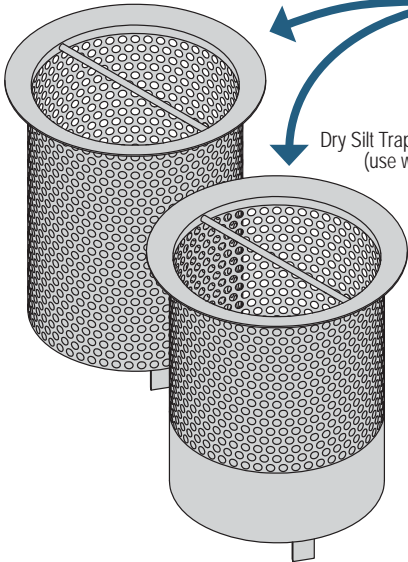
Removable Water Trap

This accessory creates a water seal but unlike a P-Trap, this can be removed for cleaning, maintenance to the pipework beyond or used in addition to a P-Trap.

RWT - must be used with a Filter Basket - see product page.

or

Extended Height Filter Basket (use without a RWT).



Dry Silt Trap Basket (use without a RWT).

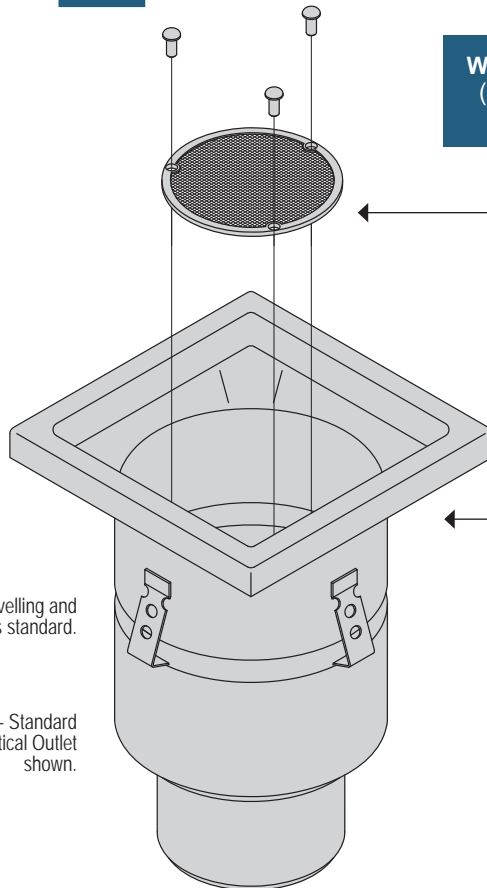
When ordering: Each accessory (including the drain bowl) has a separate product number.

Extended Height Baskets

We stock Filter Baskets and Silt Trap Baskets in 'extended depth' versions for greater capacity, occupying the full height of the Drain Bowl.

Secondary Strainers

Security screw fixed in place above the outlet, secondary strainers are a requirement in some areas. Available with 2 or 3mm holes standard and other sizes on request.



Drain Bowl


Hygienic smooth finish design with no laps, cavities or joins & stocked in 316 stainless steel standard.

WaterMark and HACCP approved system.

The 110 or 160mm spigot outlet connects to a range of drainage pipework including Blucher EuroPipe stainless steel.

Concrete levelling and fixing tags standard.

Drain Bowl - Standard Height, Vertical Outlet shown.



Supermarket Spec?

Our drains are specified with leading national supermarkets as we can meet their specific needs and processes (including channel drainage).

Blucher Drainage EuroPipe Drainage

Blucher Drainage Industrial Drains

Blucher Drainage Channel Drains

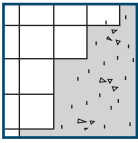
Blucher Drainage Light Duty Drains

Blucher Drainage Technical

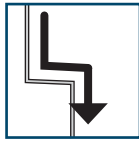
200

Square '200' Top Industrial Drains For Concrete, Tiled or Epoxy Floors

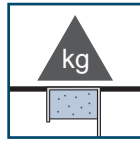
With epoxy lip infill standard for strength, hygiene & square top to suit straight tile edges.



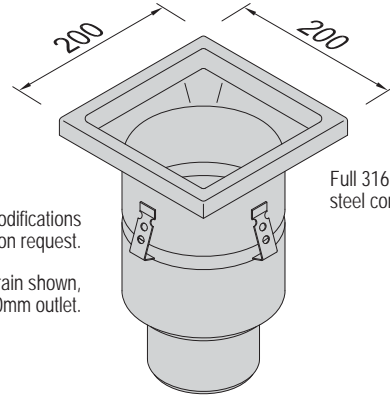
Concrete & Tiled Floors



Self Draining & Hygienic



Epoxy Edge Infill Standard

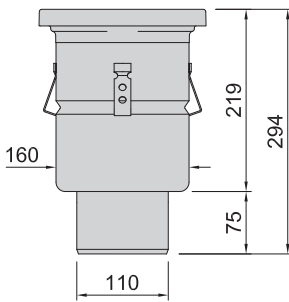


Inlets and other modifications available on request.

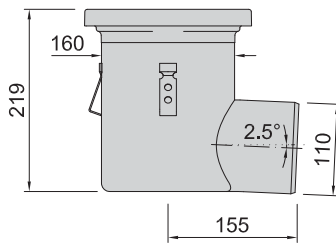
Type A drain shown, with 110mm outlet.

Full 316 stainless steel construction.

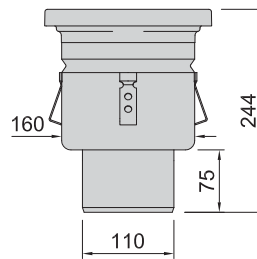
A Standard Height Vertical Outlet



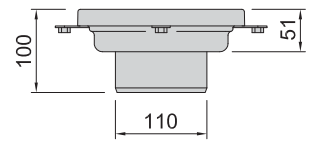
B Standard Height Horizontal Outlet



C Low Height Vertical Outlet



D Top Only Vertical Outlet

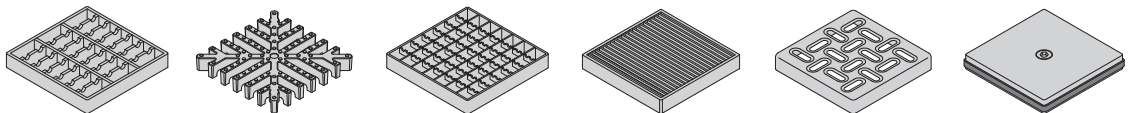


Drain Bowl Material: 316L stainless steel.
Hygiene Lip: Epoxy resin infill (standard).

160mm outlet on request.

		A		B		C		D	
	Product No	760.402.110S	760.402.160S	763.402.110S	766.402.110S	766.402.110S	766.402.110S	710.402.000S	
Outlet Direction:		<input type="checkbox"/> Vertical	<input type="checkbox"/> Vertical	<input type="checkbox"/> Horizontal	<input type="checkbox"/> Vertical	<input type="checkbox"/> Vertical	<input type="checkbox"/> Vertical	<input type="checkbox"/> Vertical	
Outlet OD:		110	160	110	110	110	110	110	
Filter Basket, Standard Height	780.200.000.0_SWT	<input type="checkbox"/> 3mm <input type="checkbox"/> 2mm	<input type="checkbox"/> 3mm <input type="checkbox"/> 2mm	<input type="checkbox"/> 3mm <input type="checkbox"/> 2mm	<input type="checkbox"/> 3mm <input type="checkbox"/> 2mm	<input type="checkbox"/> 3mm <input type="checkbox"/> 2mm	<input type="checkbox"/> 3mm <input type="checkbox"/> 2mm	X	
Filter Basket, Extended Height	780.200.165.0_S	<input type="checkbox"/> 3mm <input type="checkbox"/> 2mm	<input type="checkbox"/> 3mm <input type="checkbox"/> 2mm	Horizontal outlet drains require a Standard Height Filter Basket & RWT to be fitted.	<input type="checkbox"/> 3mm <input type="checkbox"/> 2mm	<input type="checkbox"/> 3mm <input type="checkbox"/> 2mm	<input type="checkbox"/> 3mm <input type="checkbox"/> 2mm	X	
Silt Trap Basket (Solid Bottom)	781.200.165.0_S	<input type="checkbox"/> 3mm <input type="checkbox"/> 2mm	<input type="checkbox"/> 3mm <input type="checkbox"/> 2mm		<input type="checkbox"/> 3mm <input type="checkbox"/> 2mm	<input type="checkbox"/> 3mm <input type="checkbox"/> 2mm	<input type="checkbox"/> 3mm <input type="checkbox"/> 2mm	X	
Filter Basket, Mini	780.107.110.03S	X	X		X		<input type="checkbox"/> 3mm		
Removable Water Trap (RWT) †	562.002.000S †	<input type="checkbox"/> †	<input type="checkbox"/> †	<input type="checkbox"/> †	<input type="checkbox"/> †	<input type="checkbox"/> †	<input type="checkbox"/> †		
Secondary Strainer	788.110.KIT.0_S or 788.160.KIT.0_S	<input type="checkbox"/> 3mm <input type="checkbox"/> 2mm	<input type="checkbox"/> 3mm <input type="checkbox"/> 2mm	<input type="checkbox"/> 3mm <input type="checkbox"/> 2mm	<input type="checkbox"/> 3mm <input type="checkbox"/> 2mm	<input type="checkbox"/> 3mm <input type="checkbox"/> 2mm	<input type="checkbox"/> 3mm <input type="checkbox"/> 2mm		

Grate Options
Suit all drains listed above:



Grate Type:	<input type="checkbox"/> Ladder	<input type="checkbox"/> Cast SS	<input type="checkbox"/> Mesh	<input type="checkbox"/> Wedge	<input type="checkbox"/> Non-Slip	<input type="checkbox"/> Gas Tight [∞]
Product No:	790.168.000.25S	790.168.000.60	790.168.000.22S	790.168.000.63S	790.168.000.03S	790.168.000.GTS
Load x Slip:	6,000kg x R11	4,000kg x R10	1,350kg x R12	1,100kg x R11/12	1,500kg x R10	4,000kg x R10

Ordering Notes:

† Use a Filter Basket when using a RWT. See products page for suitable options. Extended Height & Silt Baskets are not compatible.

[∞] A plain face (smooth) Gas Tight Cover is also available.

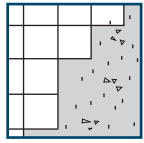
Specific accessory information from page 9.



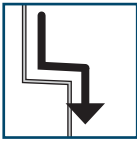
200

Round '200' Top Industrial Drains For Concrete, Tiled or Epoxy Floors

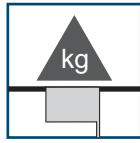
Solid stainless round top for strength, hygiene & easier to align when setting out.



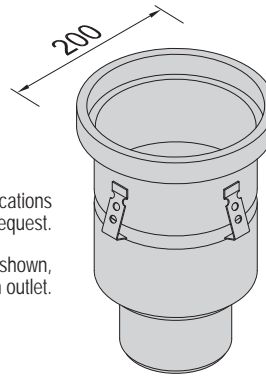
Concrete & Tiled Floors



Self Draining & Hygienic



Solid S/S Edge Standard

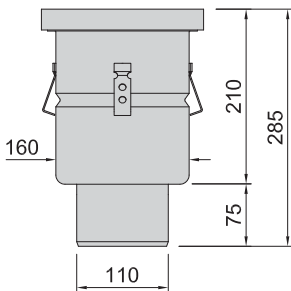


Inlets and other modifications available on request.

Type A drain shown, with 110mm outlet.

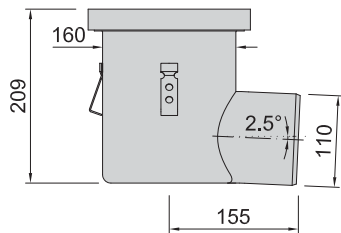
Full 316 stainless steel construction.

A Standard Height Vertical Outlet



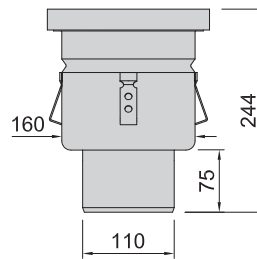
160mm outlet on request.

B Standard Height Horizontal Outlet



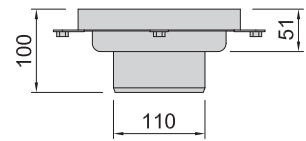
Item available on request.

C Low Height Vertical Outlet



Item available on request.

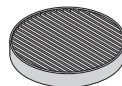
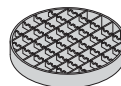
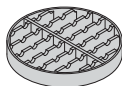
D Top Only Vertical Outlet



Drain Bowl Material: 316L stainless steel. Hygiene Lip: Solid 316L stainless (standard).

		A		B		C		D	
	Product No	760.502.110S	760.502.160S	763.502.110S	766.502.110S	766.502.110S	766.502.110S	710.502.000S	
Outlet Direction:		<input type="checkbox"/> Vertical	<input type="checkbox"/> Vertical	<input type="checkbox"/> Horizontal	<input type="checkbox"/> Vertical	<input type="checkbox"/> Vertical	<input type="checkbox"/> Vertical	<input type="checkbox"/> Vertical	
Outlet OD:		110	160	110	110	110	110	110	
Filter Basket, Standard Height	780.200.000.0_SWT	<input type="checkbox"/> 3mm <input type="checkbox"/> 2mm	<input type="checkbox"/> 3mm <input type="checkbox"/> 2mm	<input type="checkbox"/> 3mm <input type="checkbox"/> 2mm	<input type="checkbox"/> 3mm <input type="checkbox"/> 2mm	<input type="checkbox"/> 3mm <input type="checkbox"/> 2mm	<input type="checkbox"/> 3mm <input type="checkbox"/> 2mm	X	
or		<input type="checkbox"/> 3mm <input type="checkbox"/> 2mm	<input type="checkbox"/> 3mm <input type="checkbox"/> 2mm	<input type="checkbox"/> 3mm <input type="checkbox"/> 2mm	Horizontal outlet drains require a Standard Height Filter Basket & RWT to be fitted.	<input type="checkbox"/> 3mm <input type="checkbox"/> 2mm	<input type="checkbox"/> 3mm <input type="checkbox"/> 2mm	X	
or		<input type="checkbox"/> 3mm <input type="checkbox"/> 2mm	<input type="checkbox"/> 3mm <input type="checkbox"/> 2mm	<input type="checkbox"/> 3mm <input type="checkbox"/> 2mm		<input type="checkbox"/> 3mm <input type="checkbox"/> 2mm	<input type="checkbox"/> 3mm <input type="checkbox"/> 2mm	X	
Filter Basket, Extended Height	780.200.165.0_S	<input type="checkbox"/> 3mm <input type="checkbox"/> 2mm	<input type="checkbox"/> 3mm <input type="checkbox"/> 2mm	<input type="checkbox"/> 3mm <input type="checkbox"/> 2mm		<input type="checkbox"/> 3mm <input type="checkbox"/> 2mm	<input type="checkbox"/> 3mm <input type="checkbox"/> 2mm	X	
Silt Trap Basket (Solid Bottom)	781.200.165.0_S	<input type="checkbox"/> 3mm <input type="checkbox"/> 2mm	<input type="checkbox"/> 3mm <input type="checkbox"/> 2mm	<input type="checkbox"/> 3mm <input type="checkbox"/> 2mm	<input type="checkbox"/> 3mm <input type="checkbox"/> 2mm	<input type="checkbox"/> 3mm <input type="checkbox"/> 2mm	<input type="checkbox"/> 3mm <input type="checkbox"/> 2mm	X	
Filter Basket, Mini	780.107.110.03S	X	X	X	X	X	X	<input type="checkbox"/> 3mm	
Removable Water Trap (RWT) †	562.002.000S †	<input type="checkbox"/> †	<input type="checkbox"/> †	<input type="checkbox"/> †	<input type="checkbox"/> †	<input type="checkbox"/> †	<input type="checkbox"/> †	<input type="checkbox"/> †	
Secondary Strainer	788.110.KIT.0_S or 788.160.KIT.0_S	<input type="checkbox"/> 3mm <input type="checkbox"/> 2mm	<input type="checkbox"/> 3mm <input type="checkbox"/> 2mm	<input type="checkbox"/> 3mm <input type="checkbox"/> 2mm	<input type="checkbox"/> 3mm <input type="checkbox"/> 2mm	<input type="checkbox"/> 3mm <input type="checkbox"/> 2mm	<input type="checkbox"/> 3mm <input type="checkbox"/> 2mm	<input type="checkbox"/> 3mm <input type="checkbox"/> 2mm	

Grate Options
Suit all drains listed above:



Grate Type:	<input type="checkbox"/> Ladder	<input type="checkbox"/> Cast SS	<input type="checkbox"/> Mesh	<input type="checkbox"/> Wedge	<input type="checkbox"/> Non-Slip	<input type="checkbox"/> Gas Tight ∞
Product No:	790.173.000.25S	790.173.000.60	790.173.000.22S	790.173.000.63S	790.173.000.03S	790.173.000.GTS
Load x Slip:	8,000kg x R11	7,000kg x R10	2,000kg x R12	1,100kg x R11/12	1,500kg x R10	4,000kg x R10

Ordering Notes:

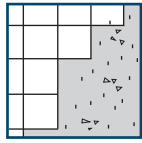
† Use a Filter Basket when using a RWT. See products page for suitable options. Extended Height & Silt Baskets are not compatible.

∞ A plain face (smooth) Gas Tight Cover is also available.

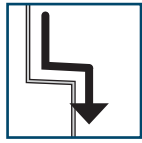
Specific accessory information from page 9.

300 Square '300' Top Industrial Drains For Concrete, Tiled or Epoxy Floors

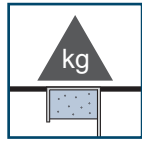
With epoxy lip infill standard for strength, hygiene & square top to suit straight tile edges.



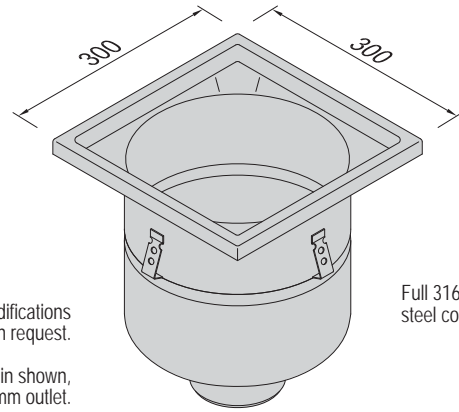
Concrete & Tiled Floors



Self Draining & Hygienic



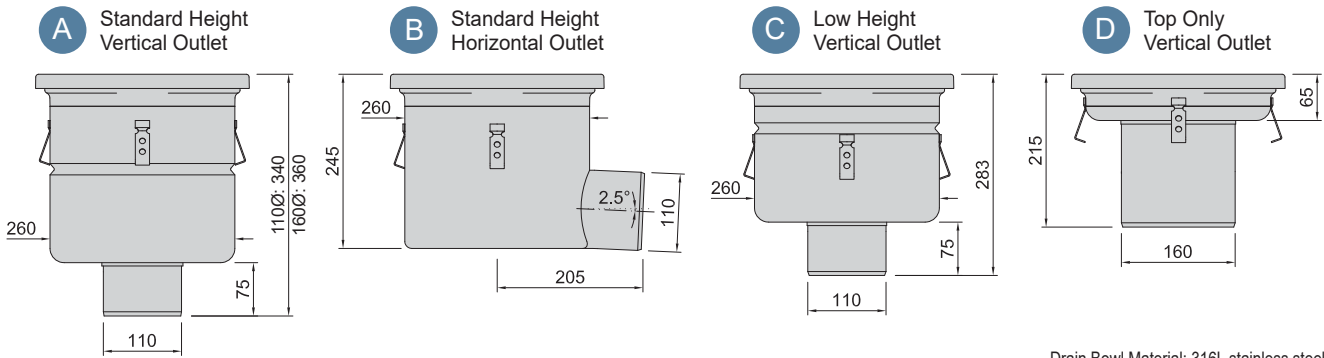
Epoxy Edge Infill Standard



Inlets and other modifications available on request.

Type A drain shown, with 110mm outlet.

Full 316 stainless steel construction.



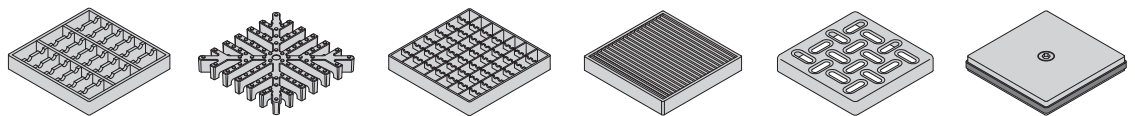
160mm outlet on request.

Drain Bowl Material: 316L stainless steel.
Hygiene Lip: Epoxy resin infill (standard).

		A		B		C		D	
	Product No	760.403.110S	760.403.160S	763.403.110S	766.403.110S	766.403.110S	766.403.110S	710.403.000S	710.403.000S
Outlet Direction:		<input type="checkbox"/> Vertical	<input type="checkbox"/> Vertical	<input type="checkbox"/> Horizontal	<input type="checkbox"/> Horizontal	<input type="checkbox"/> Vertical	<input type="checkbox"/> Vertical	<input type="checkbox"/> Vertical	<input type="checkbox"/> Vertical
Outlet OD:		110	160	110	110	110	110	160	160
Filter Basket, Standard Height	780.300.000.0_SWT	<input type="checkbox"/> 3mm <input type="checkbox"/> 2mm	<input type="checkbox"/> 3mm <input type="checkbox"/> 2mm	<input type="checkbox"/> 3mm <input type="checkbox"/> 2mm	<input type="checkbox"/> 3mm <input type="checkbox"/> 2mm	<input type="checkbox"/> 3mm <input type="checkbox"/> 2mm	<input type="checkbox"/> 3mm <input type="checkbox"/> 2mm	<input type="checkbox"/> 3mm <input type="checkbox"/> 2mm	X
Silt Trap Basket (Solid Bottom)	781.300.210.0_S	<input type="checkbox"/> 3mm <input type="checkbox"/> 2mm	<input type="checkbox"/> 3mm <input type="checkbox"/> 2mm	Horizontal outlet drains require a Standard Height Filter Basket & RWT to be fitted.		<input type="checkbox"/> 3mm <input type="checkbox"/> 2mm	<input type="checkbox"/> 3mm <input type="checkbox"/> 2mm	<input type="checkbox"/> 3mm <input type="checkbox"/> 2mm	X
Filter Basket, Standard Height	780.200.000.0_SWT	X	X			X	X	<input type="checkbox"/> 3mm <input type="checkbox"/> 2mm	<input type="checkbox"/> 3mm <input type="checkbox"/> 2mm
Removable Water Trap (RWT) †	562.003.000S †	<input type="checkbox"/> †	<input type="checkbox"/> †	<input type="checkbox"/> †	<input type="checkbox"/> †	<input type="checkbox"/> †	<input type="checkbox"/> †	<input type="checkbox"/> †	X
Secondary Strainer	788.110.KIT.0_S or 788.160.KIT.0_S	<input type="checkbox"/> 3mm <input type="checkbox"/> 2mm	<input type="checkbox"/> 3mm <input type="checkbox"/> 2mm	<input type="checkbox"/> 3mm <input type="checkbox"/> 2mm	<input type="checkbox"/> 3mm <input type="checkbox"/> 2mm	<input type="checkbox"/> 3mm <input type="checkbox"/> 2mm	<input type="checkbox"/> 3mm <input type="checkbox"/> 2mm	<input type="checkbox"/> 3mm <input type="checkbox"/> 2mm	<input type="checkbox"/> 3mm <input type="checkbox"/> 2mm

Grate Options

Suit all drains listed above:



Grate Type:	<input type="checkbox"/> Ladder	<input type="checkbox"/> Cast SS	<input type="checkbox"/> Mesh	<input type="checkbox"/> Wedge	<input type="checkbox"/> Non-Slip	<input type="checkbox"/> Gas Tight ∞
Product No:	790.268.000.25S	790.268.000.60	790.268.000.22S	790.268.000.63S	790.268.000.03S	790.268.000.GTS
Load x Slip:	8,400kg x R11	4,000kg x R10	1,600kg x R12	1,100kg x R11/12	1,500kg x R10	4,000kg x R10

Ordering Notes:

† Use a Filter Basket when using a RWT. See products page for suitable options. Extended Height & Silt Baskets are not compatible.

∞ A plain face (smooth) Gas Tight Cover is also available.

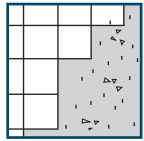
Specific accessory information from page 9.



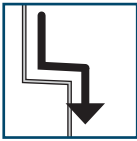
300

Round '300' Top Industrial Drains For Concrete, Tiled or Epoxy Floors

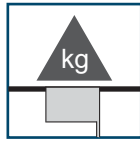
Solid stainless round top for strength, hygiene & easier to align when setting out.



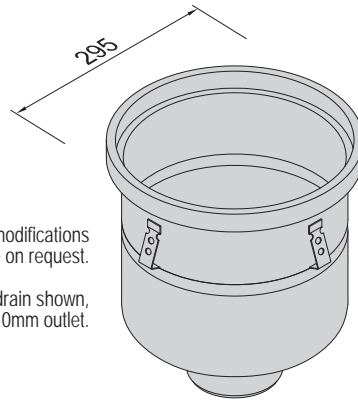
Concrete & Tiled Floors



Self Draining & Hygienic



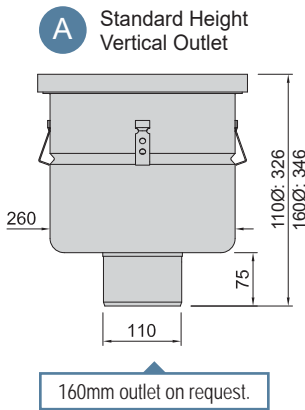
Solid S/S Edge Standard



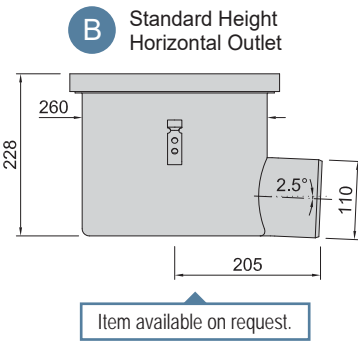
Inlets and other modifications available on request.

Type A drain shown, with 110mm outlet.

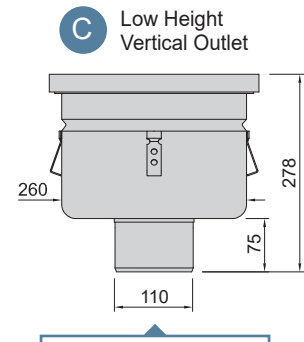
Full 316 stainless steel construction.



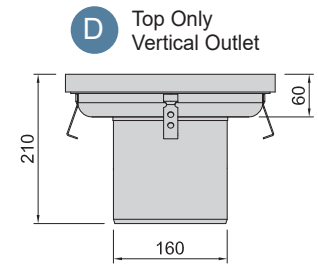
160mm outlet on request.



Item available on request.



Item available on request.



Drain Bowl Material: 316L stainless steel. Hygiene Lip: Solid 316L stainless (standard).

		A		B		C		D	
	Product No	760.503.110S	760.503.160S	763.503.110S	766.503.110S	766.503.110S	766.503.110S	710.503.000S	710.503.000S
Outlet Direction:		<input type="checkbox"/> Vertical	<input type="checkbox"/> Vertical	<input type="checkbox"/> Horizontal	<input type="checkbox"/> Vertical	<input type="checkbox"/> Vertical	<input type="checkbox"/> Vertical	<input type="checkbox"/> Vertical	<input type="checkbox"/> Vertical
Outlet OD:		110	160	110	110	110	110	160	160
Filter Basket, Standard Height	780.300.000.0_SWT	<input type="checkbox"/> 3mm <input type="checkbox"/> 2mm	<input type="checkbox"/> 3mm <input type="checkbox"/> 2mm	<input type="checkbox"/> 3mm <input type="checkbox"/> 2mm	<input type="checkbox"/> 3mm <input type="checkbox"/> 2mm	<input type="checkbox"/> 3mm <input type="checkbox"/> 2mm	<input type="checkbox"/> 3mm <input type="checkbox"/> 2mm	<input type="checkbox"/> 3mm <input type="checkbox"/> 2mm	X
or		<input type="checkbox"/> 3mm <input type="checkbox"/> 2mm	<input type="checkbox"/> 3mm <input type="checkbox"/> 2mm	<input type="checkbox"/> 3mm <input type="checkbox"/> 2mm	<input type="checkbox"/> 3mm <input type="checkbox"/> 2mm	<input type="checkbox"/> 3mm <input type="checkbox"/> 2mm	<input type="checkbox"/> 3mm <input type="checkbox"/> 2mm	<input type="checkbox"/> 3mm <input type="checkbox"/> 2mm	X
Silt Trap Basket (Solid Bottom)	781.300.210.0_S	<input type="checkbox"/> 3mm <input type="checkbox"/> 2mm	<input type="checkbox"/> 3mm <input type="checkbox"/> 2mm	<input type="checkbox"/> 3mm <input type="checkbox"/> 2mm	Horizontal outlet drains require a Standard Height Filter Basket & RWT to be fitted.	<input type="checkbox"/> 3mm <input type="checkbox"/> 2mm	<input type="checkbox"/> 3mm <input type="checkbox"/> 2mm	<input type="checkbox"/> 3mm <input type="checkbox"/> 2mm	X
Filter Basket, Standard Height	780.200.000.0_SWT	X	X	X	X	X	X	<input type="checkbox"/> 3mm <input type="checkbox"/> 2mm	<input type="checkbox"/> 3mm <input type="checkbox"/> 2mm
Removable Water Trap (RWT) †	562.003.000S †	<input type="checkbox"/> †	<input type="checkbox"/> †	<input type="checkbox"/> †	<input type="checkbox"/> †	<input type="checkbox"/> †	<input type="checkbox"/> †	<input type="checkbox"/> †	X
Secondary Strainer	788.110.KIT.0_S or 788.160.KIT.0_S	<input type="checkbox"/> 3mm <input type="checkbox"/> 2mm	<input type="checkbox"/> 3mm <input type="checkbox"/> 2mm	<input type="checkbox"/> 3mm <input type="checkbox"/> 2mm	<input type="checkbox"/> 3mm <input type="checkbox"/> 2mm	<input type="checkbox"/> 3mm <input type="checkbox"/> 2mm	<input type="checkbox"/> 3mm <input type="checkbox"/> 2mm	<input type="checkbox"/> 3mm <input type="checkbox"/> 2mm	<input type="checkbox"/> 3mm <input type="checkbox"/> 2mm

Grate Options

Suit all drains listed above:



Grate Type:	<input type="checkbox"/> Ladder	<input type="checkbox"/> Cast SS	<input type="checkbox"/> Mesh	<input type="checkbox"/> Wedge	<input type="checkbox"/> Non-Slip	<input type="checkbox"/> Gas Tight ∞
Product No:	790.273.000.25S	790.273.000.60	790.273.000.22S	790.273.000.63S	790.273.000.03S	790.273.000.GTS
Load x Slip:	8,000kg x R11	5,000kg x R10	1,000kg x R12	1,100kg x R11/12	1,000kg x R10	4,000kg x R10

Ordering Notes:

† Use a Filter Basket when using a RWT. See products page for suitable options. Extended Height & Silt Baskets are not compatible.

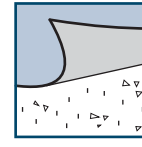
∞ A plain face (smooth) Gas Tight Cover is also available.

Specific accessory information from page 9.

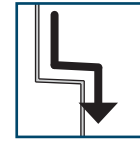


Vinyl Lock Top Industrial Drains For Vinyl & Other Sheet Flooring

With a setdown round top & stainless clamping ring for sheet thickness 1.5 - 3mm.



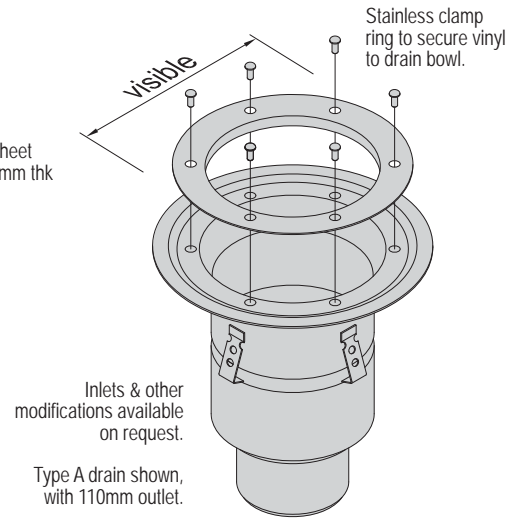
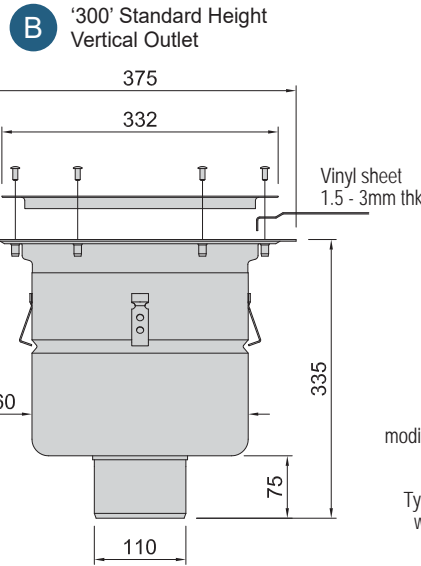
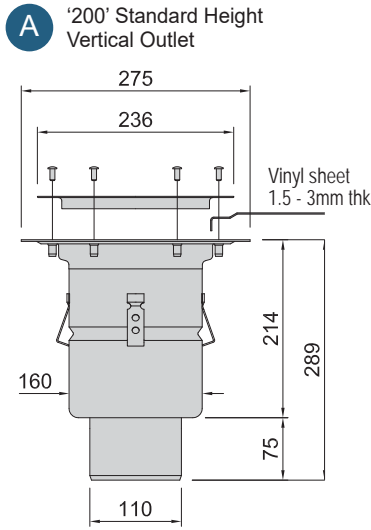
Vinyl Sheet Flooring



Self Draining & Hygienic



Stainless Locking Ring



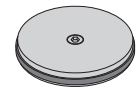
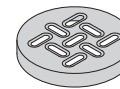
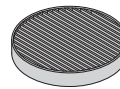
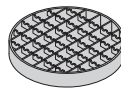
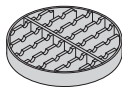
Drain Bowl Material: 316L stainless steel.
Hygiene Lip: 316L stainless locking ring.

	Vinyl Top Size:	A '200'			
	Product No	760.602.110S	760.602.160S		
Outlet Direction:		<input type="checkbox"/> Vertical	<input type="checkbox"/> Vertical		
Outlet (OD):		110	160*		
Filter Basket, Standard Height	780.200.000.0_SWT	<input type="checkbox"/> 3mm <input type="checkbox"/> 2mm	<input type="checkbox"/> 3mm <input type="checkbox"/> 2mm	<input type="checkbox"/> 3mm <input type="checkbox"/> 2mm	<input type="checkbox"/> 3mm <input type="checkbox"/> 2mm
Filter Basket, Extended Height	780.200.165.0_S	<input type="checkbox"/> 3mm <input type="checkbox"/> 2mm	<input type="checkbox"/> 3mm <input type="checkbox"/> 2mm	<input type="checkbox"/> 3mm <input type="checkbox"/> 2mm	<input type="checkbox"/> 3mm <input type="checkbox"/> 2mm
Silt Trap Basket (Solid Bottom)	781.200.165.0_S	<input type="checkbox"/> 3mm <input type="checkbox"/> 2mm	<input type="checkbox"/> 3mm <input type="checkbox"/> 2mm	<input type="checkbox"/> 3mm <input type="checkbox"/> 2mm	<input type="checkbox"/> 3mm <input type="checkbox"/> 2mm
Removable Water Trap (RWT) †	562.002.000S †	<input type="checkbox"/> †	<input type="checkbox"/> †	<input type="checkbox"/> †	<input type="checkbox"/> †
Secondary Strainer	788.110.KIT.0_S or 788.160.KIT.0_S	<input type="checkbox"/> 3mm <input type="checkbox"/> 2mm	<input type="checkbox"/> 3mm <input type="checkbox"/> 2mm	<input type="checkbox"/> 3mm <input type="checkbox"/> 2mm	<input type="checkbox"/> 3mm <input type="checkbox"/> 2mm

	Vinyl Top Size:	B '300'	
	Product No	760.603.110S	
Outlet Direction:		<input type="checkbox"/> Vertical	
Outlet (OD):		110	
FB Std	780.300.000.0_SWT	<input type="checkbox"/> 3mm <input type="checkbox"/> 2mm	<input type="checkbox"/> 3mm <input type="checkbox"/> 2mm
FB Ext	X	<input type="checkbox"/> 3mm <input type="checkbox"/> 2mm	<input type="checkbox"/> 3mm <input type="checkbox"/> 2mm
Silt TB	781.300.210.0_S	<input type="checkbox"/> 3mm <input type="checkbox"/> 2mm	<input type="checkbox"/> 3mm <input type="checkbox"/> 2mm
RWT	562.003.000S †	<input type="checkbox"/> †	<input type="checkbox"/> †
Sec St	788.110.KIT.0_S	<input type="checkbox"/> 3mm <input type="checkbox"/> 2mm	<input type="checkbox"/> 3mm <input type="checkbox"/> 2mm

Grate Options

Suit all drains listed above:



'A 200' Grate	<input type="checkbox"/> Ladder	<input type="checkbox"/> Cast SS	<input type="checkbox"/> Mesh	<input type="checkbox"/> Wedge	<input type="checkbox"/> Non-Slip	<input type="checkbox"/> Gas Tight [∞]
Product No	790.173.000.25S	790.173.000.60	790.173.000.22S	790.173.000.63S	790.173.000.03S	790.173.000.GTS
Load x Slip:	8,000kg x R11	7,000kg x R10	2,000kg x R12	1,100kg x R11/12	1,500kg x R10	4,000kg x R10

'B 300' Grate	<input type="checkbox"/> Ladder	<input type="checkbox"/> Cast SS	<input type="checkbox"/> Mesh	<input type="checkbox"/> Wedge	<input type="checkbox"/> Non-Slip	<input type="checkbox"/> Gas Tight [∞]
Product No	790.273.000.25S	790.273.000.60	790.273.000.22S	790.273.000.63S	790.273.000.03S	790.273.000.GTS
Load x Slip:	8,000kg x R11	5,000kg x R10	1,000kg x R12	1,100kg x R11/12	1,000kg x R10	4,000kg x R10

Ordering Notes: † Use a Filter Basket when using a RWT. See products page for suitable options. Extended Height & Silt Baskets are not compatible.
[∞] A plain face (smooth) Gas Tight Cover is also available.
 * 760.602.160S available on request.

Specific accessory information from page 9.



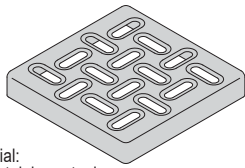
(790) Grate Options - Square

To suit square '200' & '300' Industrial Drains.

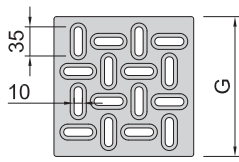
We stock 8 different types to choose from depending on the size, load rating and slip rating required.

200 = Grate Size = 168mm

300 = Grate Size = 268mm



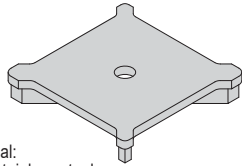
Material: 316L stainless steel.



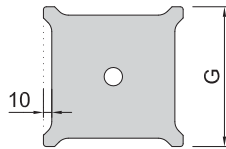
Non-Slip (3mm) Grate

Pressed stainless non-slip surface.

Product No	X1	Load (kg)
790.168.000.03S	168	1,500
790.268.000.03S	268	1,500



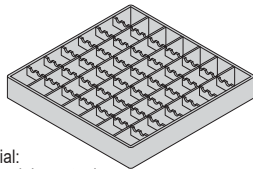
Material: 316L stainless steel.



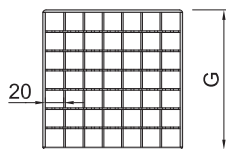
Slot (10mm) Grate

Polished stainless with 10mm side gap.

Product No	X1	Load (kg)
790.168.000.10S	168	5,000
790.268.000.10S	268	4,000



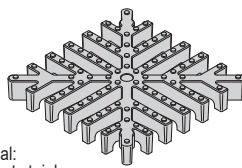
Material: 316L stainless steel.



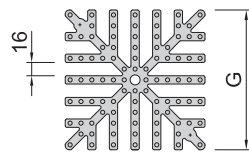
Mesh Grate

Open stainless steel grid with grip surface.

Product No	X1	Load (kg)
790.168.000.22S	168	1,350
790.268.000.22S	268	1,600



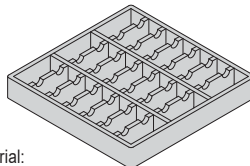
Material: 304 cast stainless.



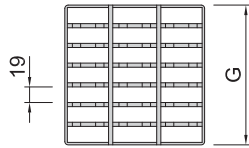
Cast Stainless Grate

Fully cast stainless with non-slip dimples.

Product No	X1	Load (kg)
790.168.000.60	168	4,000
790.268.000.60	268	4,000



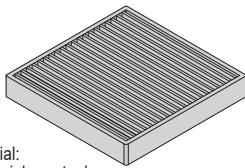
Material: 316 stainless steel.



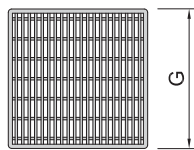
Ladder Grate

Tilt resistant strength bars & non-skid surface.

Product No	X1	Load (kg)
790.168.000.25S	168	6,000
790.268.000.25S	268	8,400



Material: 316 stainless steel.



Wedge Grate (Heel Safe)

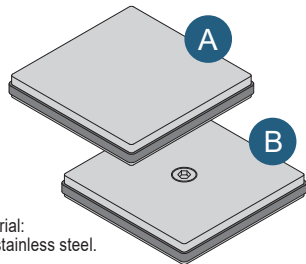
Fine stainless screen with non-slip dimples.

Product No	X1	Load (kg)
790.168.000.63S	168	1,100
790.268.000.63S	268	1,100

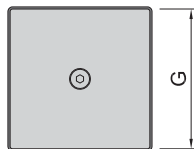


With the bars.

Across the bars.



Material: 316 stainless steel.



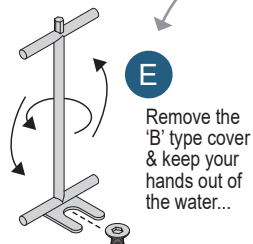
Gas Tight (Blank) Cover

Gasket sealed polished stainless cover.

Product No	X1	Load (kg)	
790.168.001.GTS	168	4,000	A
790.268.001.GTS	268	4,000	A
790.168.000.GTS	168	4,000	B
790.268.000.GTS	268	4,000	B



Note: Lubricant must be applied to the EPDM ring seal of each Gas Tight Cover before installing to drain bowl.

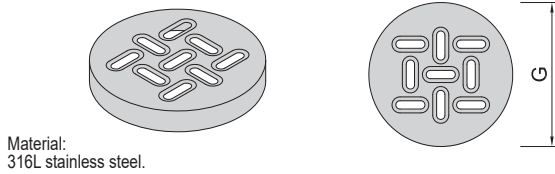
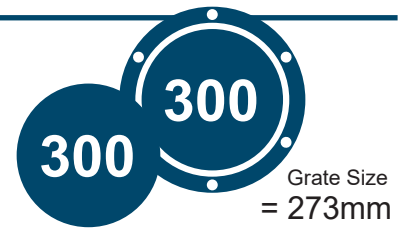
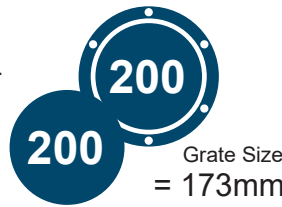


Remove the 'B' type cover & keep your hands out of the water...

Product No	Image	Description
700.000.002	C	Vacuum (Rubber Pump) Handle Rubber vacuum grip, 85mm surface.
700.001.003	D	Vacuum (Glazier's) Handle Glazier's style, 120mm surface.
700.000.000	E	Lifting Key - with allen & thread ends.

■ **(790) Grate Options - Round**
For round & vinyl lock '200' & '300' Industrial Drains.

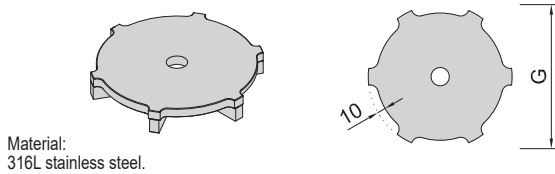
We stock 8 different types to choose from depending on the size, load rating and slip rating required.



Material:
316L stainless steel.

Non-Slip (3mm) Grate
Pressed stainless non-slip surface.

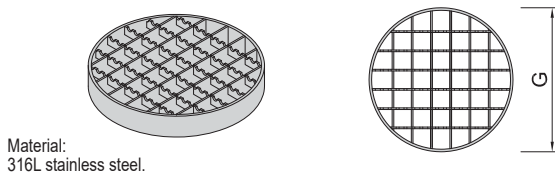
Product No	X1	Load (kg)
790.173.000.03S	173	1,500
790.273.000.03S	273	1,000



Material:
316L stainless steel.

Slot (10mm) Grate
Polished stainless with 10mm side gap.

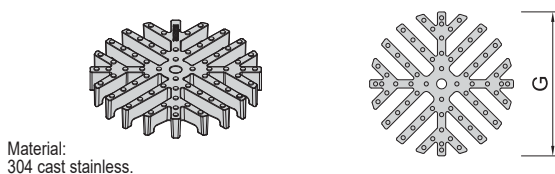
Product No	X1	Load (kg)
790.173.000.10S	173	8,000
790.273.000.10S	273	7,000



Material:
316L stainless steel.

Mesh Grate
Open stainless steel grid with grip surface.

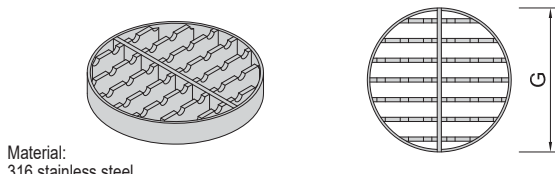
Product No	X1	Load (kg)
790.173.000.22S	173	2,000
790.273.000.22S	273	1,000



Material:
304 cast stainless.

Cast Stainless Grate
Fully cast stainless with non-slip dimples.

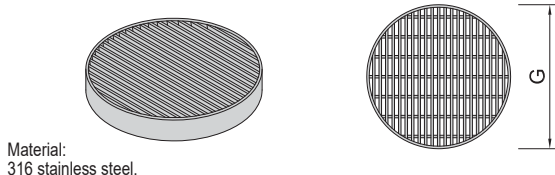
Product No	X1	Load (kg)
790.173.000.60	173	7,000
790.273.000.60	273	5,000



Material:
316 stainless steel.

Ladder Grate
Tilt resistant strength bars & non-skid surface.

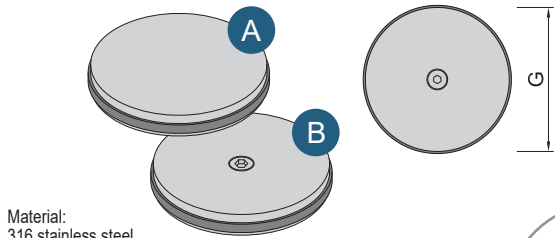
Product No	X1	Load (kg)
790.173.000.25S	173	8,000
790.273.000.25S	273	8,000



Material:
316 stainless steel.

Wedge Grate (Heel Safe)
Fine stainless screen with non-slip dimples.

Product No	X1	Load (kg)
790.173.000.63S	173	1,100
790.273.000.63S	273	1,100



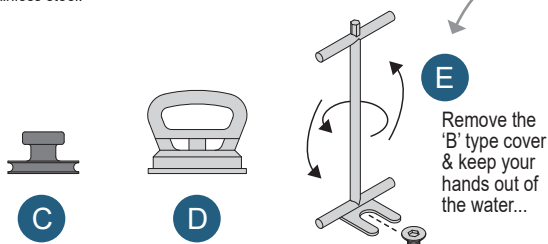
Material:
316 stainless steel.

Gas Tight (Blank) Cover
Gasket sealed polished stainless cover.

Product No	X1	Load (kg)	
790.173.001.GTS	173	4,000	A
790.273.001.GTS	273	4,000	A
790.173.000.GTS	173	4,000	B
790.273.000.GTS	273	4,000	B



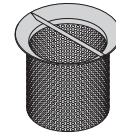
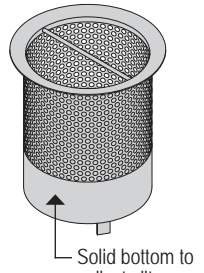
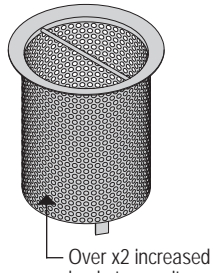
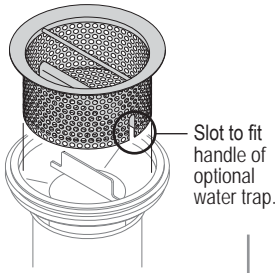
Note: Lubricant must be applied to the EPDM ring seal of each Gas Tight Cover before installing to drain bowl.



Product No	Image	Description
700.000.002	C	Vacuum (Rubber Pump) Handle Rubber vacuum grip, 85mm surface.
700.001.003	D	Vacuum (Glazier's) Handle Glazier's style, 120mm surface.
700.000.000	E	Lifting Key - with allen & thread ends.



Filter Basket & 'Dry' Silt Trap Bucket



A 'Standard' Height Filter Basket
Removable Water Trap sold separately.

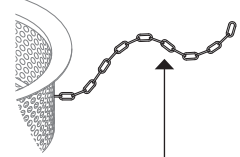
B 'Extended' Height Filter Basket

C 'Dry' Silt Basket with Solid Bottom

D 'Mini' Filter Basket

Requirements for Trade Waste:
We stock a range of products that meet the differing requirements of Water Authorities.

We can supply alternative products to specification on request.



A Retaining Chain (788.700.000S) can be fitted between the Filter Basket and the Drain Bowl to prevent the basket being left out of the Drain Bowl. 700mm in length.

Material: 316 stainless steel.

Aperture Size:

3.25mm Mesh

2mm Mesh

Outlet Type	Size	Image	Type	Height	Product No	Product No
Spigot	110	D	Mini	88	780.107.110.03S	-
Drain Bowl	'200'	A	Standard	75	780.200.000.03SWT	780.200.000.02SWT
		B	Extended	165	780.200.165.03S	780.200.165.02S
	'300'	A	Standard	75	780.300.000.03SWT	780.300.000.02SWT
		C	Silt	210	781.300.210.03S	781.300.210.02S

(562) Removable Water Trap (RWT)



This product must be used with a Filter Basket as listed.

Filter Basket sold separately.

Size	Flow Rate (max)	Product No	Product No
'200'	3.3 L/sec	562.002.000S	562.082.000S*
'300'	7.8 L/sec	562.003.000S	562.083.000S*

Material: 316L stainless steel.
Seal: EPDM x1 supplied.

RWT compatible with:



Filter Basket for 50mm RWT.



Filter Tray for 75mm RWT.

Why Use A RWT?

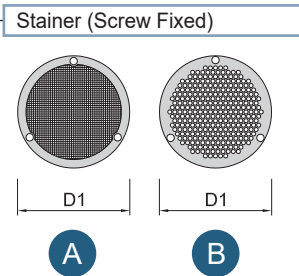
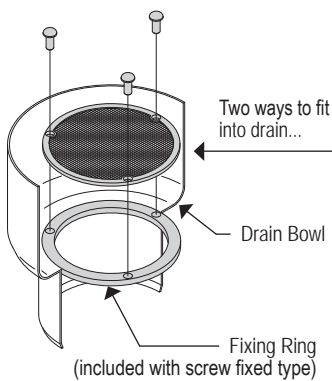
With the RWT removed, pipework beyond is clear for maintenance access.

Use instead of a P-Trap to reduce the IL depth of the outlet.
Can be secured with Retaining Chain.

* Product has WaterMark approval.

(788) Secondary Strainer

Material: 316 stainless steel.



A

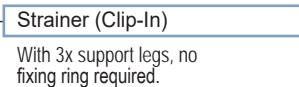
B

Strainer (Screw Fixed)	Outlet OD	Hole Dia	Image	Product No	Open %
110	2mm	A	788.110.KIT.02S	41%	
	3.8mm	B	788.110.KIT.03S	36%	
160	2mm	A	788.160.KIT.02S	42%	
	3.8mm	B	788.160.KIT.03S	41%	

Key to remove? 788.KEY.M5

Requirements for Trade Waste:
Some Water Authorities list 'Screw Fixed' Secondary Strainers as a standard requirement. Please ask if you're unsure.

Material: 316 stainless steel.



Strainer (Clip-In)
With 3x support legs, no fixing ring required.

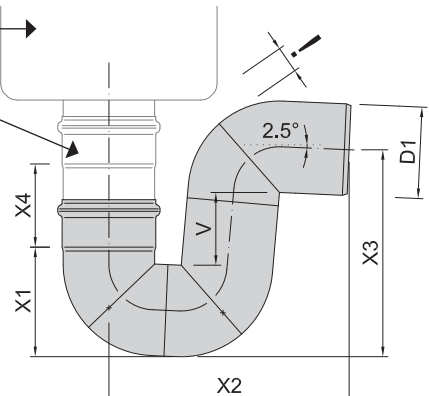
Strainer (Clip-In)	Outlet OD	Hole Dia	Image	Product No	Open %
110	3.8mm	B	788.110.002.03S	37%	
160	3.8mm	B	788.160.002.03S	42%	

(525) P-Trap

Riser	Product No	D1	X4
A vertical riser is required to avoid a Drain Bowl hitting the P-Trap. Riser sold separately.	811.015.110S	110	225
	811.025.160S	160	345

P-Trap	Product No	D1	X1	X2	X3	V	Flow Rate (max)
	525.090.110S	110	132	289	249	89	3.4 L/sec
	525.090.160S	160	184	388	338	105	7.5 L/sec

Channel Drain Bowl or Spigot Outlet



Common Design Considerations

Depth & Invert Level Dimensions

The three installation scenarios illustrate the *minimum* depths from finished floor level (FFL) to the invert level (IL) of the fitting outlet.

A minimum 50mm cover has been allowed between the P-Trap & FFL in each instance.

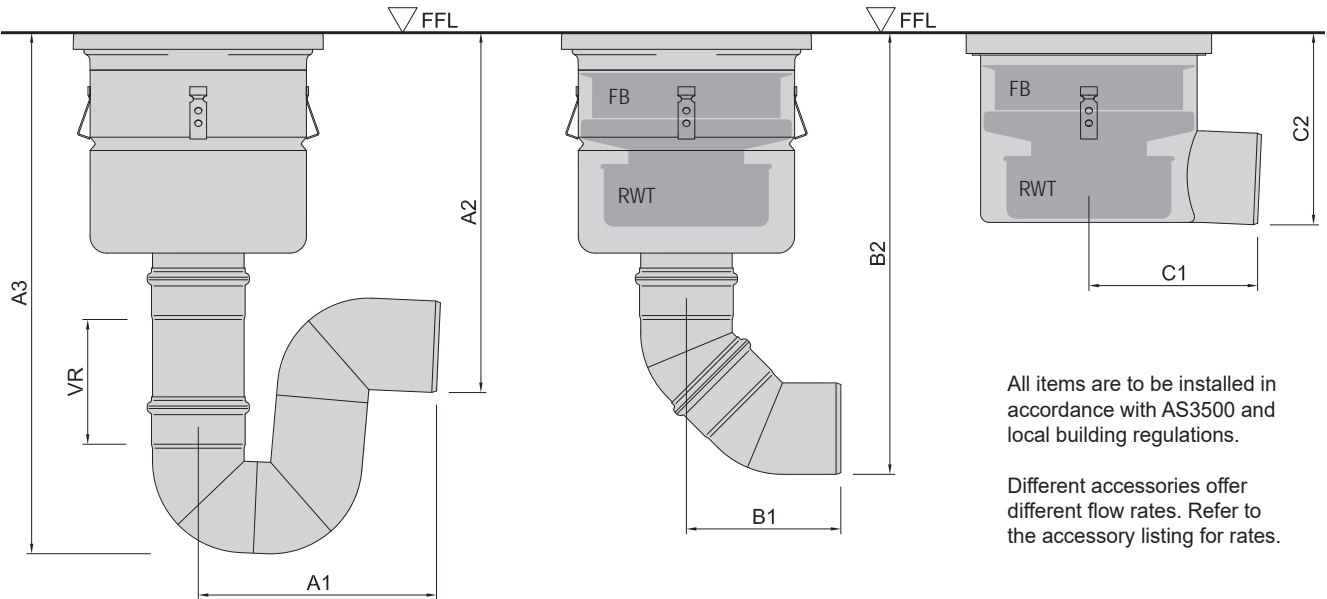
All accessories sold separately.

Specific accessory information from page 9.

A Scenario A:
Industrial Drain with P-Trap
Vertical Riser (VR) shown & required for some drain models.

B Scenario B:
Industrial Drain with 2x 45 Bends
Normally used with a Removable Water Trap (eg no P-Trap).

C Scenario C:
Industrial Drain with H-Outlet
Horizontal Outlet must use a Filter Basket & Removable Water Trap.



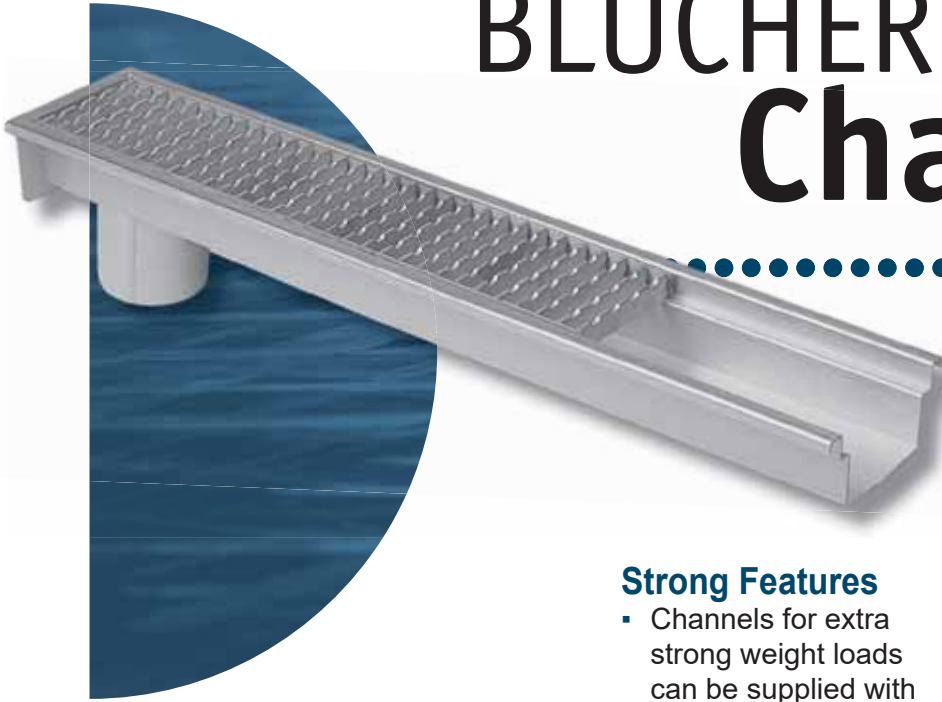
All items are to be installed in accordance with AS3500 and local building regulations.

Different accessories offer different flow rates. Refer to the accessory listing for rates.

Drain Bowl Product No	Outlet Direction	H-Offset A1	VR Length	Outlet IL A2	Depth O/A A3	H-Offset B1	Outlet IL B2	H-Offset C1	Outlet IL C2
760.402.110S	V	287	-	232	426	186	485	-	-
760.402.160S	V	385	250	308	566	264	476	-	-
763.402.110S	H	-	-	-	-	-	-	155	222
766.402.110S	V	287	-	182	376	186	435	-	-
710.402.000S	V	287	150	200	395	186	304	-	-
760.502.110S	V	287	-	223	417	186	476	-	-
760.502.160S	V	385	250	300	558	264	467	-	-
763.502.110S	H	-	-	-	-	-	-	157	212
766.502.110S	V	287	-	182	376	186	435	-	-
710.502.000S	V	287	150	201	395	186	304	-	-
760.403.110S	V	287	150	428	622	186	531	-	-
760.403.160S	V	385	250	460	718	264	628	-	-
763.403.110S	H	-	-	-	-	-	-	205	248
766.403.110S	V	287	150	371	565	186	474	-	-
710.403.000S	V	385	250	315	574	264	483	-	-
760.503.110S	V	287	150	414	608	186	517	-	-
760.503.160S	V	385	250	446	704	264	614	-	-
763.503.110S	H	-	-	-	-	-	-	205	231
766.503.110S	V	287	150	366	560	186	469	-	-
710.503.000S	V	385	250	310	569	264	478	-	-
760.602.110S	V	287	-	227	421	186	480	-	-
760.602.160S	V	385	250	303	562	264	470	-	-
760.603.110S	V	287	150	423	617	186	526	-	-



BLUCHER Channel[®]



Designed to meet the demanding requirements of linear drainage for commercial and industrial environments.

Universal Design

- Suit a range of floor finish types in standard or custom widths.
- Wide range of grate types with various load and flow ratings.
- Available with spigot outlet or floor drain outlet to fit filter basket and removable water trap options.

Hygienic Design

- Designed to prevent bacteria growth.
- All in stainless steel construction - channel body and grates.
- Polished surface finish.
- Standard filter basket and removable water trap options are available, as are custom products on request.

Strong Features

- Channels for extra strong weight loads can be supplied with optional epoxy edge infill.
- Extra depth grate options to suit very heavy loads.

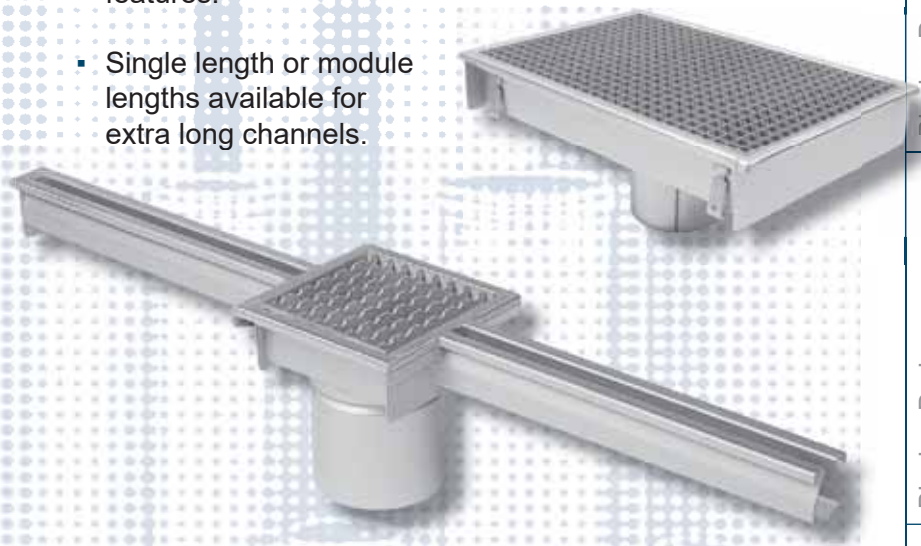
Drainage Experience

- Custom designs available manufactured to your specifications.
- Technical support based on extensive practical experience.
- Channels fitted with easy to install and level features.
- Single length or module lengths available for extra long channels.

References

Among the numerous users of our Channels are:

- Adelaide Oval
- ANSTO
- Australian Submarine Corp
- Australian Bakels
- Chickadee Foods
- Christchurch Women's Prison
- Coca Cola Amatil
- Coles Supermarkets
- Coopers Brewery
- Hazeldene Chickens
- Inghams
- Rockdale Beef
- SA Equine Health Centre
- Saizeriya
- Woolworths/Safeway



Blucher Drainage
EuroPipe Drainage

Blucher Drainage
Industrial Drains

Blucher Drainage
Channel Drains

Blucher Drainage
Light Duty Drains

Blucher Drainage
Technical

page
1
CH

Select a Channel Type

We manufacture our stainless steel channels in Australia, with a range of options available to suit your project that can be incorporated into the channel design.

Please use to the chart below to understand the channel types and refer to the information page for the specifications & options of that channel.

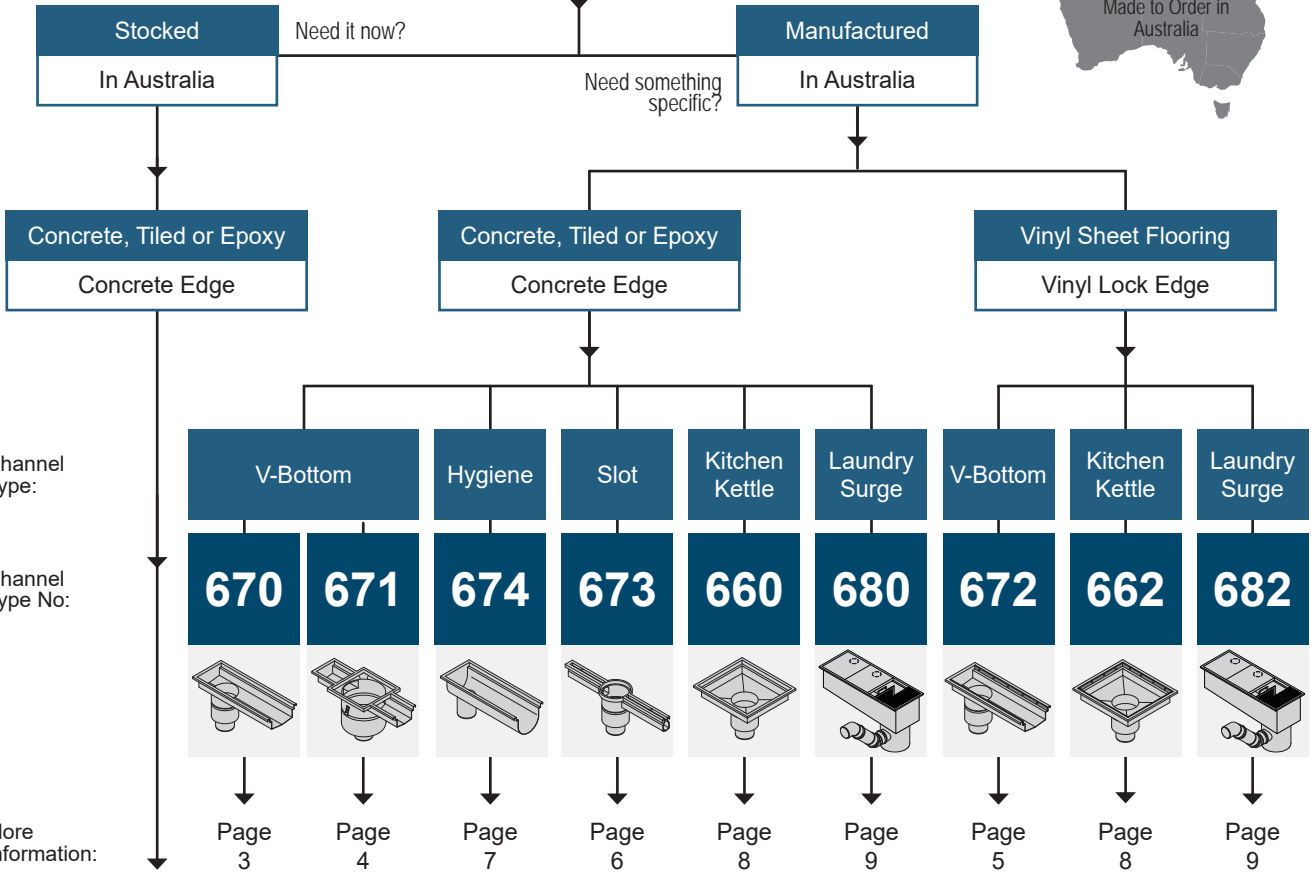


FOOD SAFETY
CERTIFICATION

WaterMark
AS 3495
Certificate No. 23028

System & Components Components

See our website for more information including WaterMark & Trade Waste approved product lists.

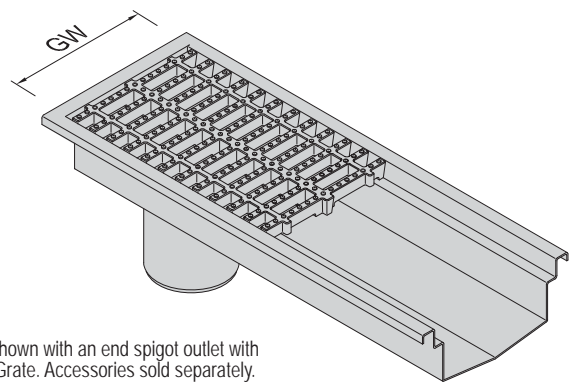


■ (670) Type 670 Channel (Stocked)

We stock V-Bottom channels in fixed lengths, with a fall to spigot outlet and flush top edge for concrete or epoxy coated floors.

Material: 316L stainless steel.

GW	Overall Length	Outlet Type	Product No
150	1000	End Spigot 110mm	670 CH 010-00 BAS
	1500		670 CH 015-00 BAS
	2000		670 CH 020-00 BAS
	2500		670 CH 025-00 BAS
	3000		670 CH 030-00 BAS



Channel shown with an end spigot outlet with Cast S/S Grate. Accessories sold separately.

Grate Type (Accessories sold separately)	Cast SS	Ladder 25	Ladder 50	Mesh	Wedge	Non-Slip	Shower

Heel Safe

Filter Basket (Accessories sold separately)	Mini (780.107.110.03 S)

If a full size Filter Basket is required, refer to manufactured channel items from the chart top of this page.

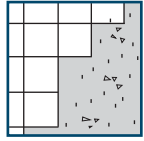
Product numbers and detailed information for each accessory can be found listed further in this section of the catalogue.



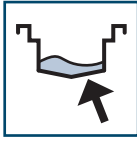
670

Type 670 Channel with Spigot or Drain Bowl Outlet

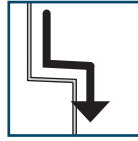
V-Bottom, fall to outlet with flush top edge for concrete, tiled or epoxy coated floors.



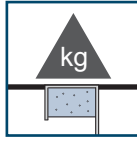
Concrete & Tiled Floors



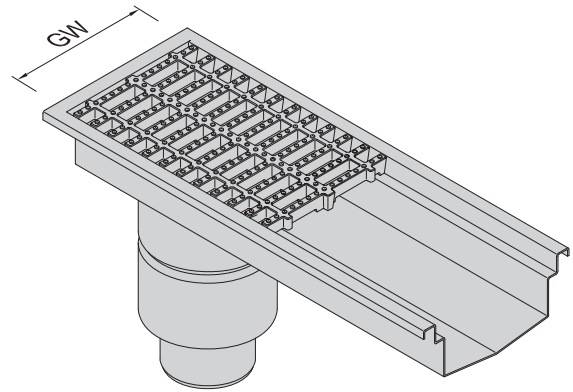
V-Bottom Fall to Outlet



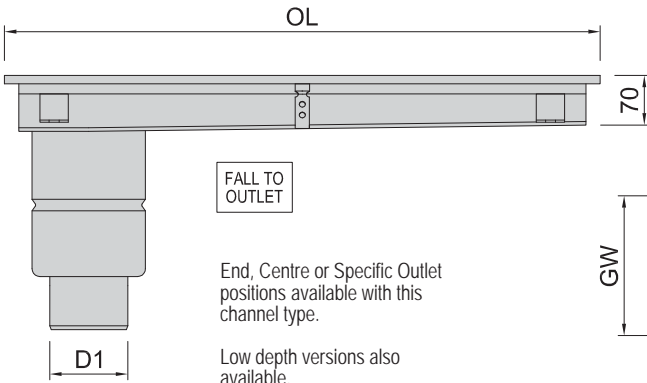
Hygienic & Self Draining



Epoxy Edge Infill Option



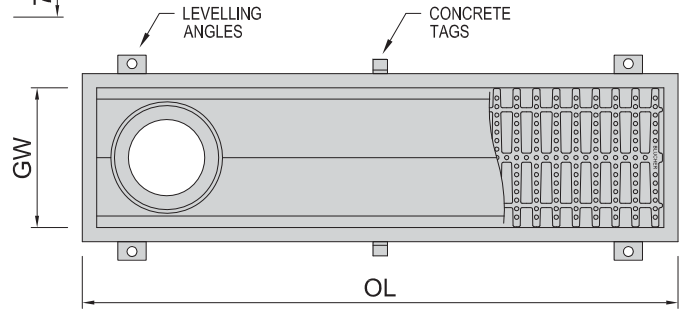
Channel shown with an end drain bowl outlet with Cast S/S Grate. Accessories sold separately.



FALL TO OUTLET

End, Centre or Specific Outlet positions available with this channel type.

Low depth versions also available.



Channel Options (please tick)

Channel Material: 316 Stainless Steel 304 Stainless Steel > 1.5mm thick standard.

Overall Length [OL]: > Lengths over 6m supplied in bolt together sections.

Reference Drawing? Attached

Grate Width [GW] (mm)	150		200		300 or 400					
Outlet Type	Spigot	Spigot	Drain Bowl		Spigot	Drain Bowl				
	<input type="checkbox"/>	<input type="checkbox"/>	<input type="checkbox"/>	<input type="checkbox"/>	<input type="checkbox"/>	<input type="checkbox"/>	<input type="checkbox"/>	<input type="checkbox"/>	<input type="checkbox"/>	
			<input type="checkbox"/>	<input type="checkbox"/>	<input type="checkbox"/>	<input type="checkbox"/>	<input type="checkbox"/>	<input type="checkbox"/>	<input type="checkbox"/>	
Filter Basket	Mini	Mini	Std		Mini	Std				
Std = Standard Height Ext = Extended Height	<input type="checkbox"/>	<input type="checkbox"/>	<input type="checkbox"/>	<input type="checkbox"/>	<input type="checkbox"/>	<input type="checkbox"/>	<input type="checkbox"/>	<input type="checkbox"/>	<input type="checkbox"/>	
			<input type="checkbox"/>	<input type="checkbox"/>		<input type="checkbox"/>	<input type="checkbox"/>	<input type="checkbox"/>	<input type="checkbox"/>	
Removable Water Trap & Filter Basket (Std)	X	X	<input type="checkbox"/>		X	<input type="checkbox"/>				
Outlet Size [D1] (mm)	110	110	110	160	110	110	160	110	160	260
Vertical:			<input type="checkbox"/>	<input type="checkbox"/>	<input type="checkbox"/>	<input type="checkbox"/>	<input type="checkbox"/>	<input type="checkbox"/>	<input type="checkbox"/>	<input type="checkbox"/>
Horizontal:	X	X	110*	X	X	110*	X	110*	X	X

Filter Basket Hole Size

3mm

2mm

Secondary Strainer? 2mm 3mm 5mm None > Aperture (hole) size.

Outlet Location Centre End Offset from end by:

Epoxy Edge Infill? Yes None > Applied under the edge lip to add strength and improve hygiene.

Retaining Chain? Fix to Filter Basket Only Fix to FB & Rem Water Trap None

Grate Type	Cast SS	Ladder 25	Ladder 50	Mesh	Wedge	Non-Slip	Shower
	<input type="checkbox"/>	<input type="checkbox"/>	<input type="checkbox"/>	<input type="checkbox"/>	<input type="checkbox"/>	<input type="checkbox"/>	<input type="checkbox"/>
	300 wide max	300 wide max			300 wide max Heel Safe	200 wide max	200 wide max

Notes:
* Horizontal outlets require both a Removable Water Trap & a standard height Filter Basket to be fitted.

Product numbers and detailed information for each accessory can be found listed further in this section of the catalogue.

Blucher Drainage EuroPipe Drainage

Blucher Drainage Industrial Drains

Blucher Drainage Channel Drains

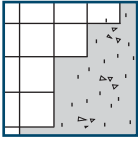
Blucher Drainage Light Duty Drains

Blucher Drainage Technical

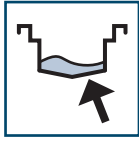
671

Type 671 Channel with Oversized Drain Bowl Outlet

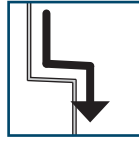
V-Bottom, fall to outlet with flush top edge for concrete, tiled or epoxy coated floors.



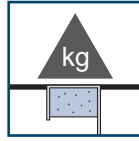
Concrete & Tiled Floors



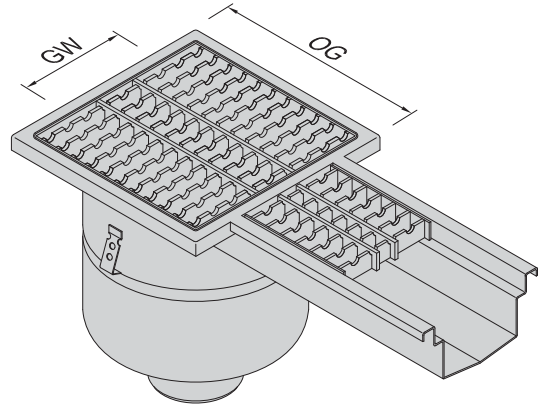
V-Bottom Fall to Outlet



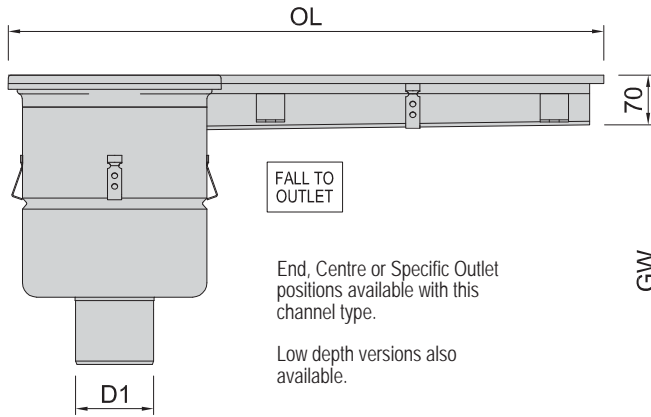
Hygienic & Self Draining



Epoxy Edge Infill Option

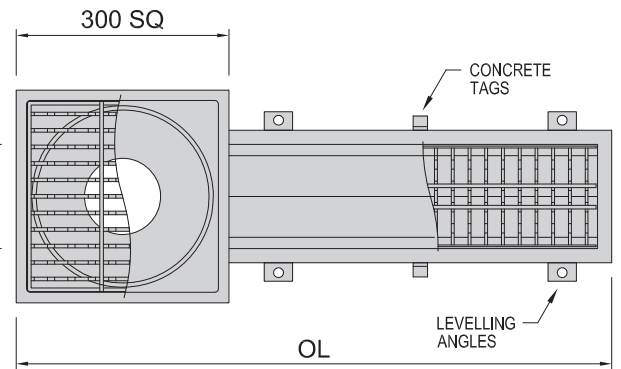


Channel shown with an end drain bowl outlet, fitted with heavy duty Ladder 50 Grates. Accessories sold separately.



End, Centre or Specific Outlet positions available with this channel type.

Low depth versions also available.



Channel Options (please tick)

Channel Material	<input type="checkbox"/> 316 Stainless Steel	<input type="checkbox"/> 304 Stainless Steel	> 1.5mm thick standard.		Reference Drawing? <input type="checkbox"/> Attached
Length [OL] (mm)	<input type="text" value="mm"/>	> Lengths over 6m supplied in bolt together sections.			
Grate Width [GW] (mm)	<input type="checkbox"/> 150		<input type="checkbox"/> 200		
Outlet Type [OG]	Drain Bowl		Drain Bowl		
	<input type="checkbox"/> '300'		<input type="checkbox"/> '300'		
Filter Basket	<input type="checkbox"/> Std		<input type="checkbox"/> Std		Filter Basket Hole Size <input type="checkbox"/> 3mm <input type="checkbox"/> 2mm
Std = Standard Height Ext = Extended Height	<input type="checkbox"/> Ext		<input type="checkbox"/> Ext		
Removable Water Trap & Filter Basket (Std)	<input type="checkbox"/>		<input type="checkbox"/>		
Outlet Size [D1] (mm)	Vertical:	<input type="checkbox"/> 110	<input type="checkbox"/> 160	<input type="checkbox"/> 110	<input type="checkbox"/> 160
	Horizontal:	<input type="checkbox"/> 110*	<input type="checkbox"/> X	<input type="checkbox"/> 110*	<input type="checkbox"/> X
Secondary Strainer?	<input type="checkbox"/> 2mm	<input type="checkbox"/> 3mm	<input type="checkbox"/> 5mm	<input type="checkbox"/> None	> Aperture (hole) size.
Outlet Location	<input type="checkbox"/> Centre	<input type="checkbox"/> End	<input type="checkbox"/> Offset from end by: <input type="text" value="mm"/>		
Epoxy Edge Infill?	<input type="checkbox"/> Yes	<input type="checkbox"/> None		> Applied under the edge lip to add strength and improve hygiene.	
Retaining Chain?	<input type="checkbox"/> Fix to Filter Basket Only		<input type="checkbox"/> Fix to FB & Rem Water Trap		<input type="checkbox"/> None
Grate Type	<input type="checkbox"/> Cast SS	<input type="checkbox"/> Ladder 25	<input type="checkbox"/> Mesh	<input type="checkbox"/> Wedge	
	300 wide max		300 wide max		300 wide max Heel Safe

Notes:

* Horizontal outlets require both a Removable Water Trap & a standard height Filter Basket to be fitted.

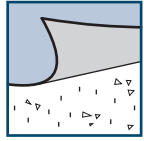
Product numbers and detailed information for each accessory can be found listed further in this section of the catalogue.



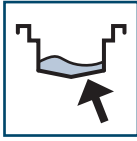
672

Type 672 Channel with Vinyl Lock Edge

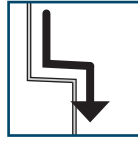
V-Bottom, fall to outlet with set down edge designed for vinyl & other sheet flooring.



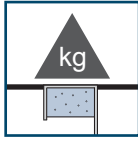
Vinyl Sheet Flooring



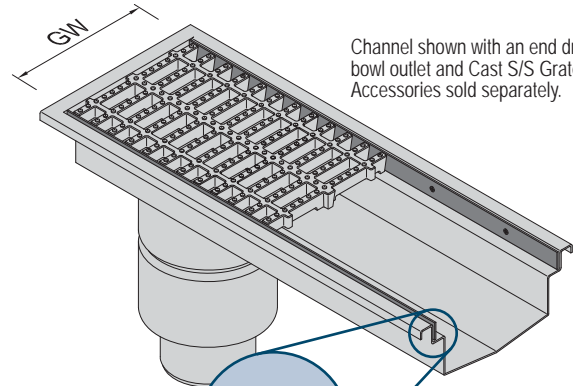
V-Bottom Fall to Outlet



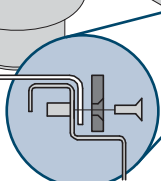
Hygienic & Self Draining



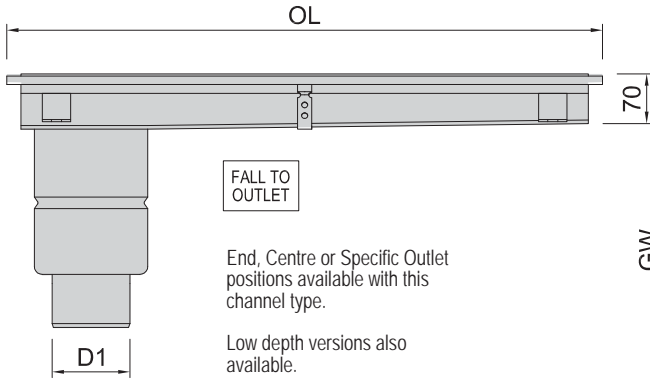
Epoxy Edge Infill Option



Channel shown with an end drain bowl outlet and Cast S/S Grates. Accessories sold separately.



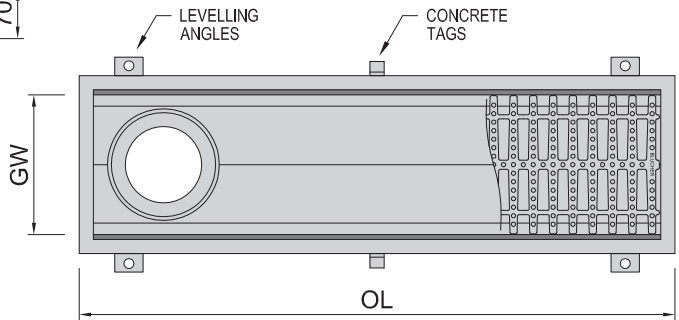
Vinyl lock edge clamp accepts sheet flooring 1 - 3mm thick.



FALL TO OUTLET

End, Centre or Specific Outlet positions available with this channel type.

Low depth versions also available.



Channel Options (please tick)

Channel Material	<input type="checkbox"/> 316 Stainless Steel	<input type="checkbox"/> 304 Stainless Steel	> 1.5mm thick standard.	Reference Drawing?	<input type="checkbox"/> Attached
Overall Length [OL]	<input type="text" value="mm"/>	> Lengths over 6m supplied in bolt together sections.			

Grate Width [GW] (mm)	150		200		300 or 400				
Outlet Type	<input type="checkbox"/> Spigot	<input type="checkbox"/> Spigot	<input type="checkbox"/> Drain Bowl	<input type="checkbox"/> Spigot	<input type="checkbox"/> Drain Bowl				
			<input type="checkbox"/> '200'		<input type="checkbox"/> '200'	<input type="checkbox"/> '300'			
Filter Basket	<input type="checkbox"/> Mini	<input type="checkbox"/> Mini	<input type="checkbox"/> Std	<input type="checkbox"/> Mini	<input type="checkbox"/> Std	<input type="checkbox"/> Std			
Std = Standard Height Ext = Extended Height			<input type="checkbox"/> Ext		<input type="checkbox"/> Ext	<input type="checkbox"/> Ext			
Removable Water Trap & Filter Basket (Std)	<input checked="" type="checkbox"/> X	<input checked="" type="checkbox"/> X	<input type="checkbox"/>	<input checked="" type="checkbox"/> X	<input type="checkbox"/>	<input type="checkbox"/>			
Outlet Size [D1] (mm)	Vertical: 110	110	110 160	110	110 160	110 160	110 160	260	
	Horizontal: X	X	110* X	X	110* X	110* X	X	X	

Filter Basket Hole Size

3mm

2mm

Secondary Strainer?	<input type="checkbox"/> 2mm	<input type="checkbox"/> 3mm	<input type="checkbox"/> 5mm	<input type="checkbox"/> None	> Aperture (hole) size.
Outlet Location	<input type="checkbox"/> Centre	<input type="checkbox"/> End	Offset from end by: <input type="text" value="mm"/>		
Epoxy Edge Infill?	<input type="checkbox"/> Yes	<input type="checkbox"/> None	> Applied under the edge lip to add strength and improve hygiene.		
Retaining Chain?	<input type="checkbox"/> Fix to Filter Basket Only		<input type="checkbox"/> Fix to FB & Rem Water Trap		<input type="checkbox"/> None

Grate Type	<input type="checkbox"/> Cast SS	<input type="checkbox"/> Ladder 25	<input type="checkbox"/> Ladder 50	<input type="checkbox"/> Mesh	<input type="checkbox"/> Wedge	<input type="checkbox"/> Non-Slip	<input type="checkbox"/> Shower
	300 wide max	300 wide max			300 wide max Heel Safe	200 wide max	200 wide max

Notes:
* Horizontal outlets require both a Removable Water Trap & a standard height Filter Basket to be fitted.

Product numbers and detailed information for each accessory can be found listed further in this section of the catalogue.

Blucher Drainage
EuroPipe Drainage

Blucher Drainage
Industrial Drains

Blucher Drainage
Channel Drains

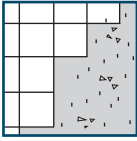
Blucher Drainage
Light Duty Drains

Blucher Drainage
Technical

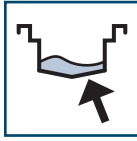
673

Type 673 Slot Channel with Drain Bowl Outlet

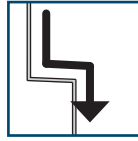
V-Bottom, fall to outlet with flush top edge for concrete, tiled or epoxy coated floors.



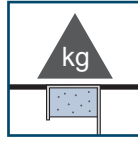
Concrete & Tiled Floors



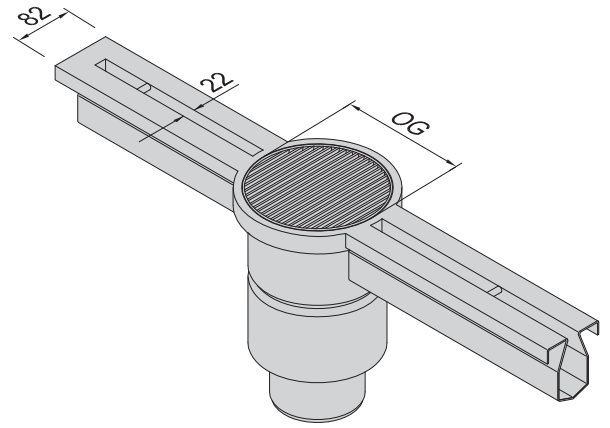
V-Bottom Fall to Outlet



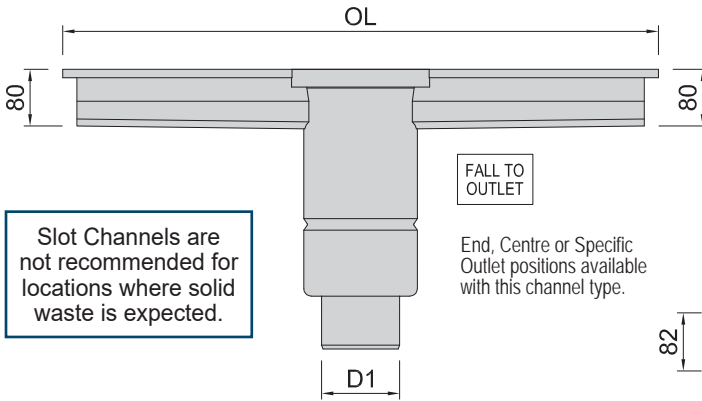
Hygienic & Self Draining



Epoxy Edge Infill Option

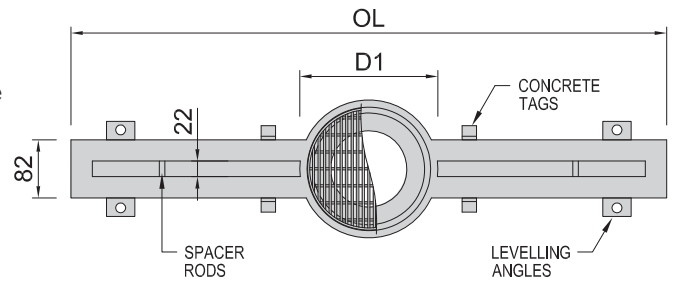


Slot channel shown with a centre round top drain bowl outlet and Wedge Grate. Accessories sold separately.



Slot Channels are not recommended for locations where solid waste is expected.

End, Centre or Specific Outlet positions available with this channel type.



Channel Options (please tick)

Channel Material	<input type="checkbox"/> 316 Stainless Steel	<input type="checkbox"/> 304 Stainless Steel	> 1.5mm thick standard.	Reference Drawing? <input type="checkbox"/> Attached <input type="checkbox"/>
Overall Length [OL]	<input type="text" value="mm"/>	> Lengths over 6m supplied in bolt together sections.		
Slot Width (mm)	22mm opening.			

Outlet Type [OG]	<input type="checkbox"/> Round Top Outlet				<input type="checkbox"/> Square Top Outlet				
	'200'		'300'		'200'		'300'		
Filter Basket <small>Std = Standard Height Ext = Extended Height</small>	<input type="checkbox"/> Std	<input type="checkbox"/> Std	<input type="checkbox"/> Std	<input type="checkbox"/> Std	<input type="checkbox"/> Std	<input type="checkbox"/> Std	<input type="checkbox"/> Std	<input type="checkbox"/> Std	
	<input type="checkbox"/> Ext	<input type="checkbox"/> Ext	<input type="checkbox"/> Ext	<input type="checkbox"/> Ext	<input type="checkbox"/> Ext	<input type="checkbox"/> Ext	<input type="checkbox"/> Ext	<input type="checkbox"/> Ext	
Removable Water Trap & Filter Basket (Std)	<input type="checkbox"/>	<input type="checkbox"/>	<input type="checkbox"/>	<input type="checkbox"/>	<input type="checkbox"/>	<input type="checkbox"/>	<input type="checkbox"/>	<input type="checkbox"/>	
Outlet Size [D1] (mm)	Vertical:	<input type="checkbox"/> 110	<input type="checkbox"/> 160	<input type="checkbox"/> 110	<input type="checkbox"/> 160	<input type="checkbox"/> 110	<input type="checkbox"/> 160	<input type="checkbox"/> 110	<input type="checkbox"/> 160
	Horizontal:	<input type="checkbox"/> 110*	<input type="checkbox"/> X	<input type="checkbox"/> 110*	<input type="checkbox"/> X	<input type="checkbox"/> 110*	<input type="checkbox"/> X	<input type="checkbox"/> 110*	<input type="checkbox"/> X
Secondary Strainer?	<input type="checkbox"/> 2mm	<input type="checkbox"/> 3mm	<input type="checkbox"/> 5mm	<input type="checkbox"/> None	> Aperture (hole) size.				
Outlet Location	<input type="checkbox"/> Centre	<input type="checkbox"/> End	<input type="checkbox"/> Offset from end by: <input type="text" value="mm"/>						
Epoxy Edge Infill?	<input type="checkbox"/> Yes	<input type="checkbox"/> None	> Applied under the edge lip to add strength and improve hygiene.						
Retaining Chain?	<input type="checkbox"/> Fix to Filter Basket Only		<input type="checkbox"/> Fix to FB & Rem Water Trap		<input type="checkbox"/> None				
Grate Type <small>Drain Bowl Outlet will be supplied with a square or round grate to suit.</small>	<input type="checkbox"/> Cast SS	<input type="checkbox"/> Ladder 25	<input type="checkbox"/> Slot	<input type="checkbox"/> Mesh	<input type="checkbox"/> Wedge	<input type="checkbox"/> Non-Slip			
<i>Heal Safe</i>									

Notes:
* Horizontal outlets require both a Removable Water Trap & a standard height Filter Basket to be fitted.

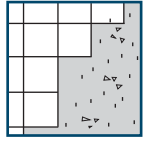
Product numbers and detailed information for each accessory can be found listed further in this section of the catalogue.



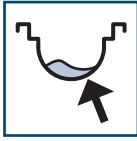
674

Type 674 Hygiene Channel with Spigot or Drain Bowl Outlet

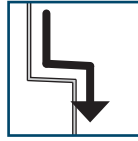
Round Bottom, fall to outlet with flush top edge for concrete, tiled or epoxy coated floors.



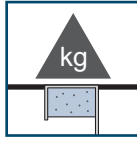
Concrete & Tiled Floors



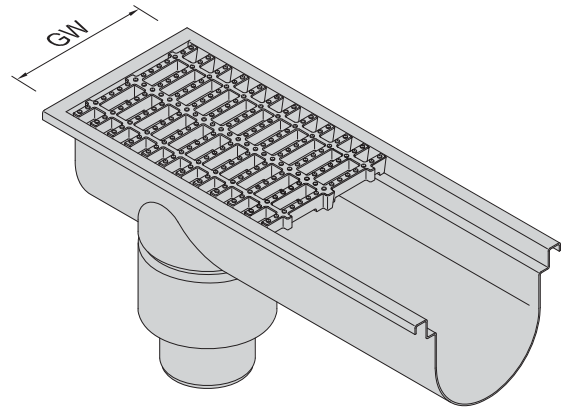
Round Bottom Fall to Outlet



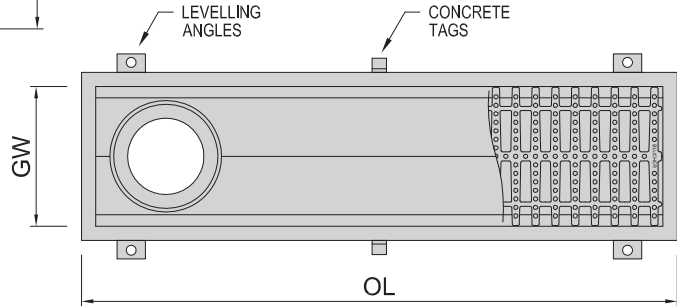
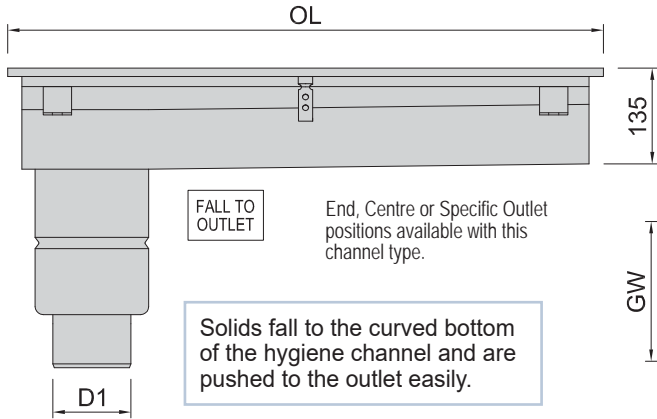
Hygienic & Self Draining



Epoxy Edge Infill Option



Channel shown with an end drain bowl outlet and Cast S/S Grates. Accessories sold separately.



Channel Options (please tick)

Channel Material: 316 Stainless Steel 304 Stainless Steel > 1.5mm thick standard. Reference Drawing? Attached

Overall Length [OL]: > Lengths over 6m supplied in bolt together sections.

Grate Width [GW] (mm)	150		200		300 or 400				
Outlet Type	<input type="checkbox"/> Spigot	<input type="checkbox"/> Spigot	<input type="checkbox"/> Drain Bowl	<input type="checkbox"/> Spigot	<input type="checkbox"/> Drain Bowl				
			<input type="checkbox"/> '200'		<input type="checkbox"/> '200'	<input type="checkbox"/> '300'			
Filter Basket	<input type="checkbox"/> Mini	<input type="checkbox"/> Mini	<input type="checkbox"/> Std	<input type="checkbox"/> Mini	<input type="checkbox"/> Std	<input type="checkbox"/> Std			
Std = Standard Height Ext = Extended Height			<input type="checkbox"/> Ext		<input type="checkbox"/> Ext	<input type="checkbox"/> Ext			
Removable Water Trap & Filter Basket (Std)	<input type="checkbox"/> X	<input type="checkbox"/> X	<input type="checkbox"/>	<input type="checkbox"/> X	<input type="checkbox"/>	<input type="checkbox"/>			
Outlet Size [D1] (mm)	Vertical: 110	110	110 160	110	110 160	110 160	110 160	260	
	Horizontal: X	X	110* X	X	110* X	110* X	X	X	

Filter Basket Hole Size

3mm

2mm

Secondary Strainer?: 2mm 3mm 5mm None > Aperture (hole) size.

Outlet Location: Centre End Offset from end by:

Epoxy Edge Infill?: Yes None > Applied under the edge lip to add strength and improve hygiene.

Retaining Chain?: Fix to Filter Basket Only Fix to FB & Rem Water Trap None

Grate Type	<input type="checkbox"/> Cast SS	<input type="checkbox"/> Ladder 25	<input type="checkbox"/> Ladder 50	<input type="checkbox"/> Mesh	<input type="checkbox"/> Wedge	<input type="checkbox"/> Non-Slip	<input type="checkbox"/> Shower
	300 wide max	300 wide max			300 wide max Heel Safe	200 wide max	200 wide max

Notes:
* Horizontal outlets require both a Removable Water Trap & a standard height Filter Basket to be fitted.

Product numbers and detailed information for each accessory can be found listed further in this section of the catalogue.

Blucher Drainage
EuroPipe Drainage

Blucher Drainage
Industrial Drains

Blucher Drainage
Channel Drains

Blucher Drainage
Light Duty Drains

Blucher Drainage
Technical



660

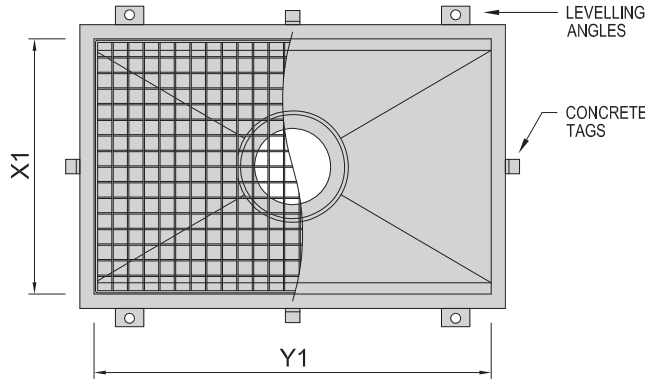
Type 660 Kettle Channel with Drain Bowl Outlet

Fall to drain bowl outlet with flush top edge for concrete, tiled or epoxy coated floors.

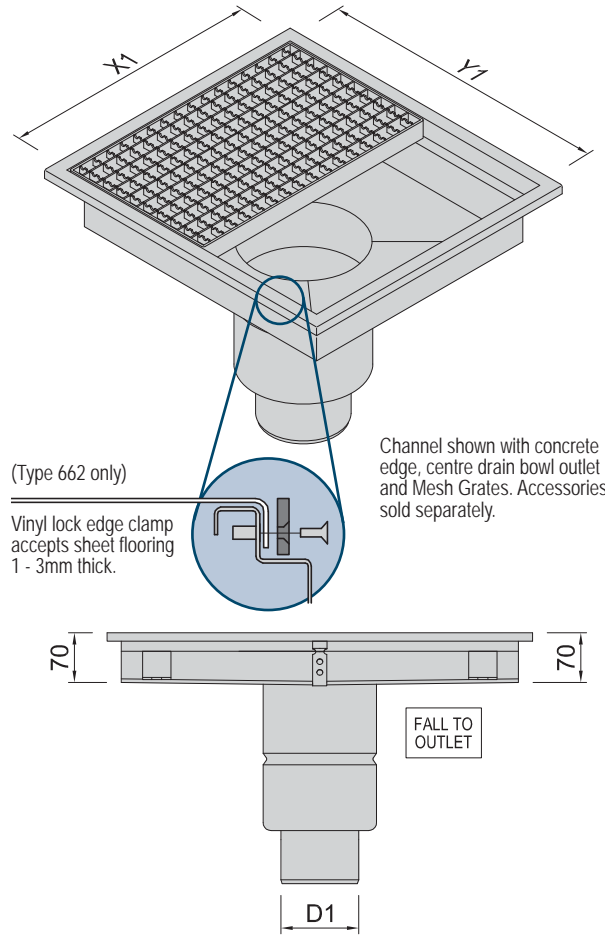
662

Type 662 Kettle Channel with Vinyl Lock Edge

Fall to drain bowl outlet with set down edge designed for vinyl & other sheet flooring.



Custom sizes available on request.



Channel shown with concrete edge, centre drain bowl outlet and Mesh Grates. Accessories sold separately.

(Type 662 only)
Vinyl lock edge clamp accepts sheet flooring 1 - 3mm thick.

Channel Options (please tick)

Channel Material	<input type="checkbox"/> 316 Stainless Steel	<input type="checkbox"/> 304 Stainless Steel	> 1.5mm thick unless otherwise noted.
Channel Edge Type	<input type="checkbox"/> Conc, Tile & Epoxy (660)		<input type="checkbox"/> Vinyl Lock Edge (662)
Grate Size [X1 x Y1]	<input type="checkbox"/> 500 x 500mm	<input type="checkbox"/> 1000 x 400mm	<input type="checkbox"/> 1000x 500mm
	<input type="checkbox"/> Other: _____ x _____		mm

Outlet Type	Drain Bowl	
		<input type="checkbox"/> '200'
Filter Basket <small>Std = Standard Height Ext = Extended Height Silt = Silt Basket</small>	<input type="checkbox"/> Std	
	<input type="checkbox"/> Ext	
	<input type="checkbox"/> Silt	
Removable Water Trap & Filter Basket (Std)	<input type="checkbox"/>	
Outlet Size [D1] (mm)	Vertical:	<input type="checkbox"/> 110 <input type="checkbox"/> 160
	Horizontal:	<input type="checkbox"/> 110* <input type="checkbox"/> X

Filter Basket Hole Size

3mm

2mm

Reference Drawing? Attached

Secondary Strainer?	<input type="checkbox"/> 2mm	<input type="checkbox"/> 3mm	<input type="checkbox"/> 5mm	<input type="checkbox"/> None	> Aperture (hole) size.
Epoxy Edge Infill?	<input type="checkbox"/> Yes	<input type="checkbox"/> None	> Applied under the edge lip to add strength and improve hygiene.		
Retaining Chain?	<input type="checkbox"/> Fix to Filter Basket Only		<input type="checkbox"/> Fix to FB & Rem Water Trap		<input type="checkbox"/> None

Grate Type	<input type="checkbox"/> Mesh	<input type="checkbox"/> Ladder 25	<input type="checkbox"/> Ladder 50
------------	-------------------------------	------------------------------------	------------------------------------

An internal support may be required to strengthen the middle of wide span grates.

Grates are supplied as 1 or 2 pieces for OH&S (lifting weight).

Notes:
* Horizontal outlets require both a Removable Water Trap & a standard height Filter Basket to be fitted.

Product numbers and detailed information for each accessory can be found listed further in this section of the catalogue.

Blucher Drainage
EuroPipe Drainage

Blucher Drainage
Industrial Drains

Blucher Drainage
Channel Drains

Blucher Drainage
Light Duty Drains

Blucher Drainage
Technical



680

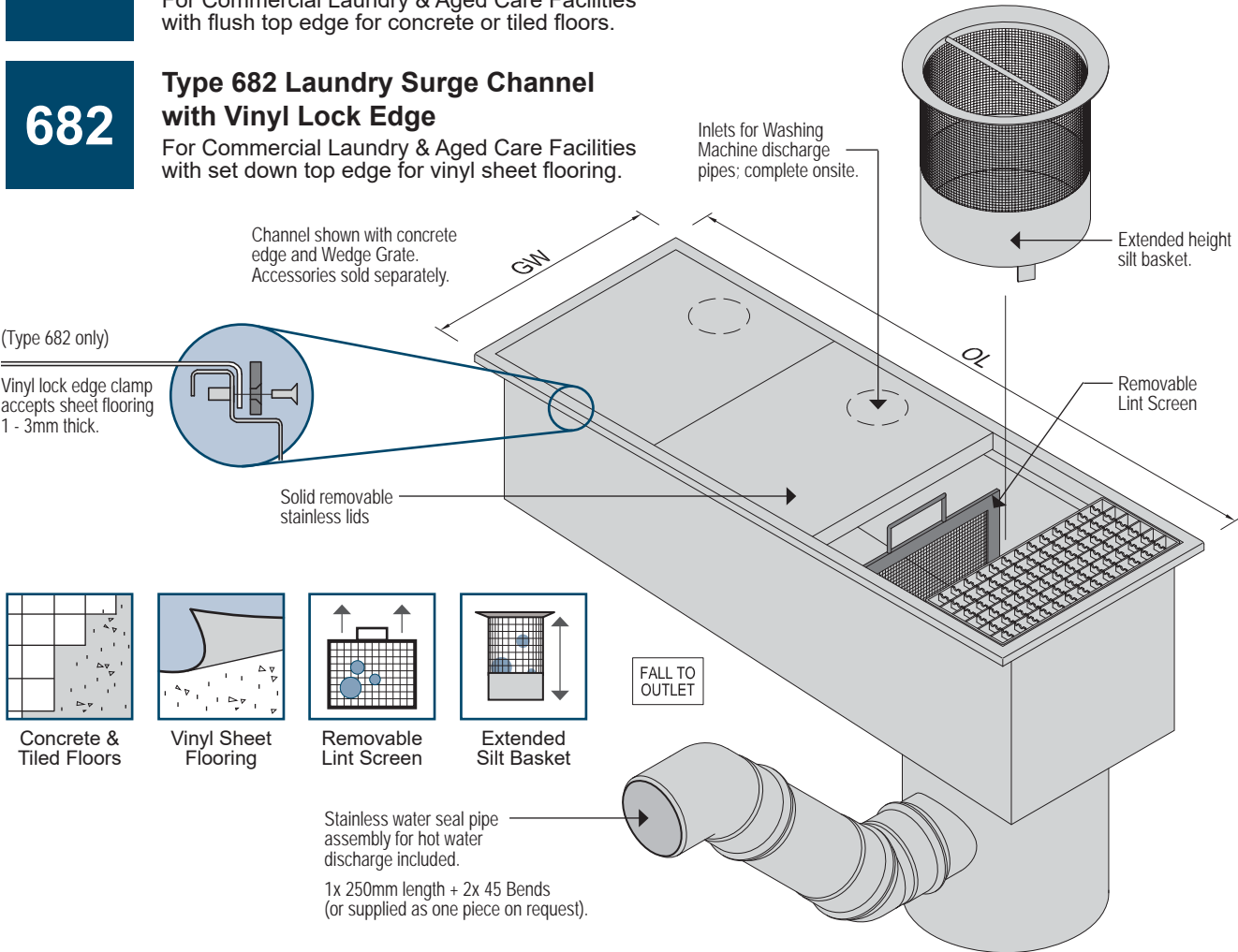
Type 680 Laundry Surge Channel with Drain Bowl Outlet

For Commercial Laundry & Aged Care Facilities with flush top edge for concrete or tiled floors.

682

Type 682 Laundry Surge Channel with Vinyl Lock Edge

For Commercial Laundry & Aged Care Facilities with set down top edge for vinyl sheet flooring.



Channel Options (please tick)

Channel Material	<input type="checkbox"/> 316 Stainless Steel	<input type="checkbox"/> 304 Stainless Steel	> 1.5mm thick unless otherwise noted.
Channel Edge Type	<input type="checkbox"/> Conc, Tile & Epoxy (680)		<input type="checkbox"/> Vinyl Lock Edge (682)
Washing Machines	Qty: <input type="text"/>	Make: <input type="text"/>	Model: <input type="text"/>
	Water Discharge Volume per Machine: <input type="text"/> Litres		
Grate Width [GW] (mm)	<input type="checkbox"/> 300	<input type="checkbox"/> 400	Other: <input type="text"/> mm
Max Overall Length	<input type="text"/> mm		
Maximum Depth	<input type="text"/> mm IL		> Invert level if known.
Minimum Volume	<input type="text"/> Litres		
Outlet Size [D1] (mm)	<input type="checkbox"/> 110	<input type="checkbox"/> 160	> Outlet OD.
Silt Basket	<input type="checkbox"/> 2mm	<input type="checkbox"/> 3mm	> Aperture (hole) size.
Filter Screen (Vertical)	<input type="checkbox"/> 2mm	<input type="checkbox"/> 3mm	> Aperture (hole) size.
Epoxy Edge Infill?	<input type="checkbox"/> Yes	<input type="checkbox"/> None	> Applied under the edge lip to add strength and improve hygiene.
Grate Type Select a grate type to be positioned over the outlet part of the channel. The remainder is covered with a solid cover plate.	<input type="checkbox"/> Mesh	<input type="checkbox"/> Wedge	<input type="checkbox"/> Ladder 25
	<p>300 wide max Heel Safe</p>		

Reference Drawing? Attached

Product numbers and detailed information for each accessory can be found listed further in this section of the catalogue.

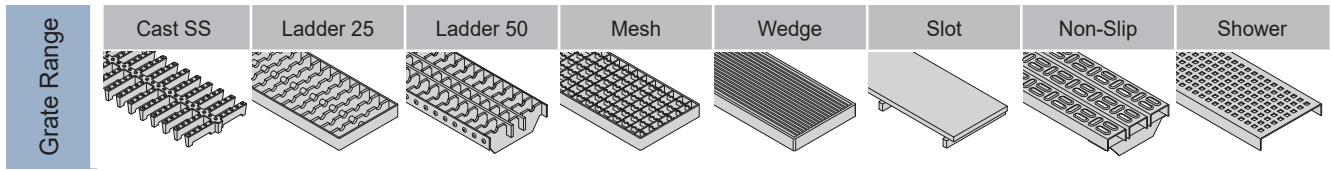
Blucher Drainage
EuroPipe Drainage

Blucher Drainage
Industrial Drains

Blucher Drainage
Channel Drains

Blucher Drainage
Light Duty Drains

Blucher Drainage
Technical

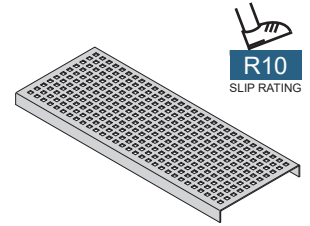
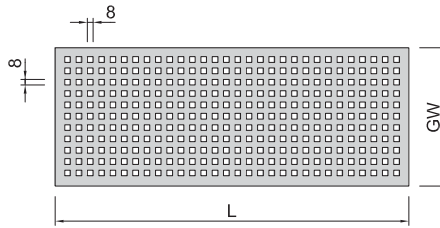


Shower Grate

Polished 316 stainless steel finish.

Material: 316L stainless steel.

GW	Load (kg)	Product No	W	L
150	250	697.015.150.99S	144	998
200	250	697.015.200.99S	194	998

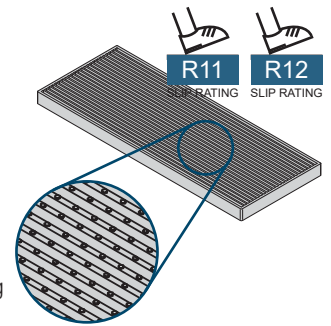
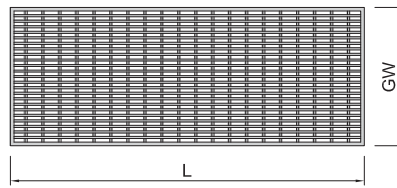


Wedge Grate (Heel Safe)

316 stainless steel wedge wire.

Material: 316 stainless steel.

GW	Load (kg)	Product No	W	L
150	1,300	697.630.150.99S	145	998
200	1,300	697.630.200.99S	195	998
300		697.630.300.99S	295	998



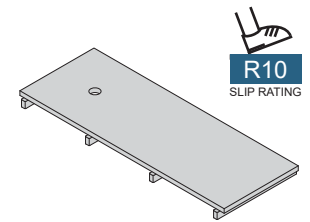
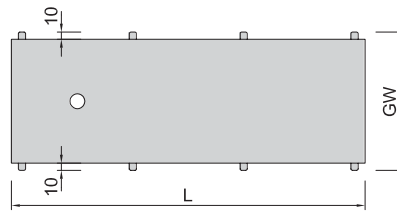
Grate with a dimpled surface achieves a R12 slip rating across (transverse) & R11 with the bars (longitudinal).

Slot Grate

Polished 316 stainless steel surface.

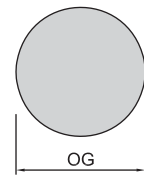
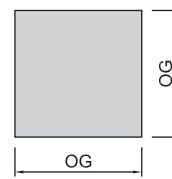
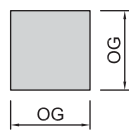
Material: 316 stainless steel.

GW	Load (kg)	Product No	W	L
150	3,000	697.200.150.99S	145	998
200	3,500	697.200.200.99S	195	998



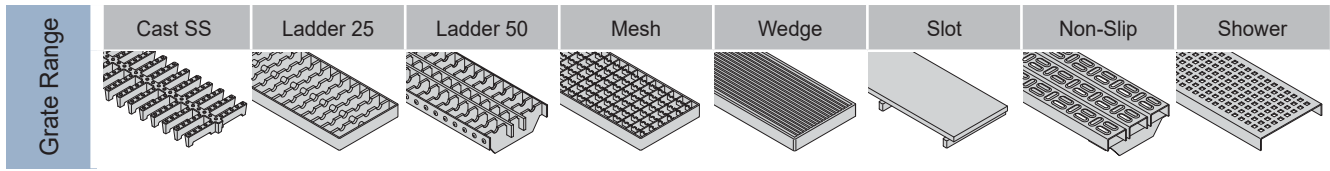
Drain Bowl Outlet Grates for Type 671 & 673 Channels

Refer to the individual channel page for compatibility.



Grate Size:	200 Square		200 Round		300 Square		300 Round		
	Type	Product No	Load (kg)	Product No	Load (kg)	Product No	Load (kg)	Product No	Load (kg)
Cast S/S		790.168.000.60	4,000	790.173.000.60	7,000	790.268.000.60	4,000	790.273.000.60	5,000
Ladder 25		790.168.000.25S	6,000	790.173.000.25S	8,000	790.268.000.25S	8,400	790.273.000.25S	8,000
Mesh		790.168.000.22S	1,350	790.173.000.22S	2,000	790.268.000.22S	1,600	790.273.000.22S	1,000
Non-Slip		790.168.000.03S	1,500	790.173.000.03S	1,000	790.268.000.03S	1,500	790.273.000.03S	1,000
Slot		790.168.000.10S	5,000	790.173.000.10S	8,000	790.268.000.10S	4,000	790.273.000.10S	7,000
Wedge		790.168.000.63S	1,100	790.173.000.63S	1,100	790.268.000.63S	1,100	790.273.000.63S	1,100

Material: Product codes ending with an 'S' are supplied in 316 stainless steel. Without an 'S' are supplied in 304 stainless steel.



Cast Stainless Steel Grate

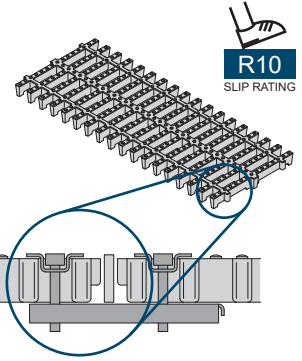
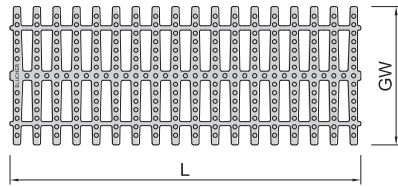
Fully cast stainless with non-skid surface.

Material: 304 stainless steel.

GW	Load (kg)	Product No	W	L
150	6,000	697.250.150.50	145	499
200	7,000	697.250.200.50	195	495
300	12,500	697.250.300.50	295	495

Material: 316L stainless steel.

Item	Product No
Lockdown Clamp	670.000.003 S



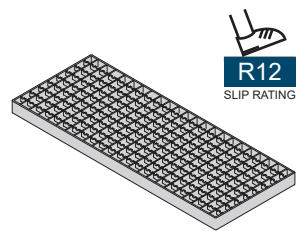
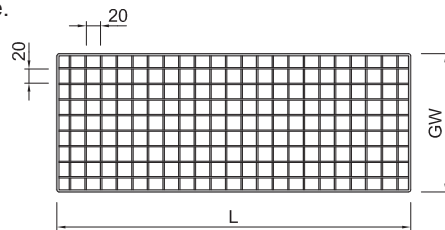
Lockdown Clamp - Allen Key head to 2x screws. Clamp sold separately.

Mesh Grate

Open stainless steel grid with non-slip surface.

Material: 304 stainless steel.

GW	Load (kg)	Product No	W	L
150	1,800	696.223.144.99	144	998
200	1,350	696.223.194.99	194	998
300	1,350	696.223.294.99	294	998
400	1,500	696.223.394.99	394	998
500	1,500	696.223.494.995	494	494

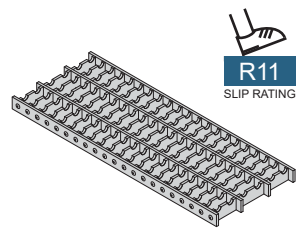
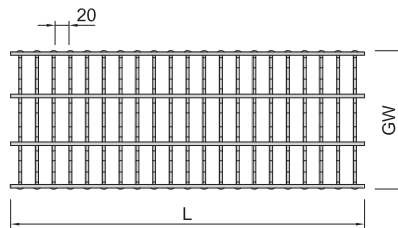


Ladder 25 Grate

Tilt resistant strength bars and non-skid surface.

Material: 316 stainless steel.

GW	Load (kg)	Product No	W	L
150	5,000	697.127.150.50S	145	499
200	7,000	697.127.200.50S	195	499
300	7,000	697.127.300.50S	295	499
400		697.127.400.50S	395	499
500		697.127.500.50S	495	499

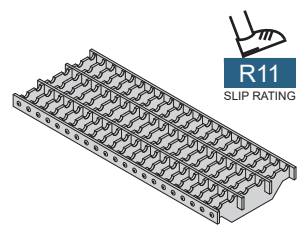
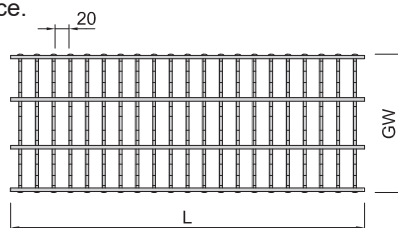


Ladder 50 Grate

Deep section, tilt resistant bars and non-skid surface.

Material: 316 stainless steel.

GW	Load (kg)	Product No	W	L
150	8,400	697.157.150.50S	145	499
200	8,400	697.157.200.50S	195	499
300	8,400	697.157.300.50S	295	499
400		697.157.400.50S	395	499
500		697.157.500.50S	495	499

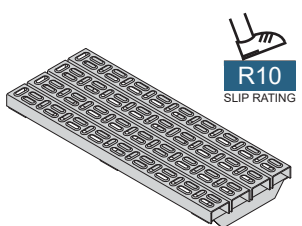
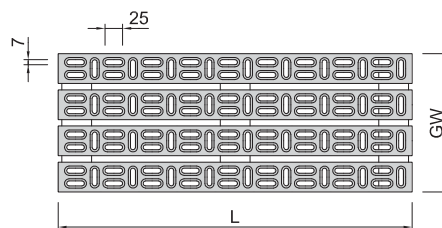


Non-Slip Grate

Pressed 304 stainless steel surface.

Material: 304 stainless steel.

GW	Load (kg)	Product No	W	L
150	1,000	697.025.150.99	145	998
200	1,200	697.025.200.99	195	998
300	12,00	697.025.300.99	295	998



Blucher Drainage
EuroPipe Drainage

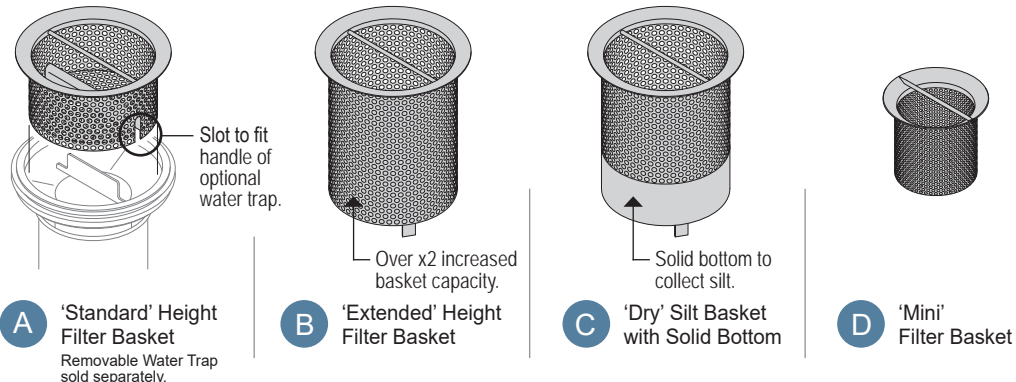
Blucher Drainage
Industrial Drains

Blucher Drainage
Channel Drains

Blucher Drainage
Light Duty Drains

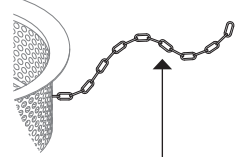
Blucher Drainage
Technical

Filter Basket & 'Dry' Silt Trap Bucket



Requirements for Trade Waste:
We stock a range of products that meet the differing requirements of Water Authorities.

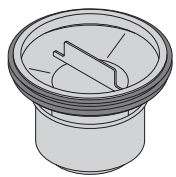
We can supply alternative products to specification on request.



A Retaining Chain (788.700.000S) can be fitted between the Filter Basket and the Drain Bowl to prevent the basket being left out of the Drain Bowl. 700mm in length.

Material: 316 stainless steel.		Aperture Size:		3mm Holes		2mm Holes	
Outlet Type	Size	Image	Type	Height	Product No	Product No	Product No
Spigot	110	D	Mini	88	780.107.110.03S	-	-
Drain Bowl	'200'	A	Standard	75	780.200.000.03SWT	780.200.000.02SWT	780.200.000.02SWT
		B	Extended	165	780.200.165.03S	780.200.165.02S	780.200.165.02S
	'300'	A	Standard	75	780.300.000.03SWT	780.300.000.02SWT	780.300.000.02SWT
		C	Silt	210	781.300.210.03S	781.300.210.02S	781.300.210.02S

(562) Removable Water Trap (RWT)



This product must be used with a Filter Basket as listed.

Filter Basket sold separately.

Size	Flow Rate (max)	Product No	Product No
'200'	3.3 L/sec	562.002.000S	562.082.000S*
'300'	7.8 L/sec	562.003.000S	562.083.000S*

Material: 316L stainless steel.
Seal: EPDM x1 supplied.

RWT compatible with:



Filter Basket for 50mm RWT.



Filter Tray for 75mm RWT.

Why Use A RWT?
With the RWT removed, pipework beyond is clear for maintenance access.

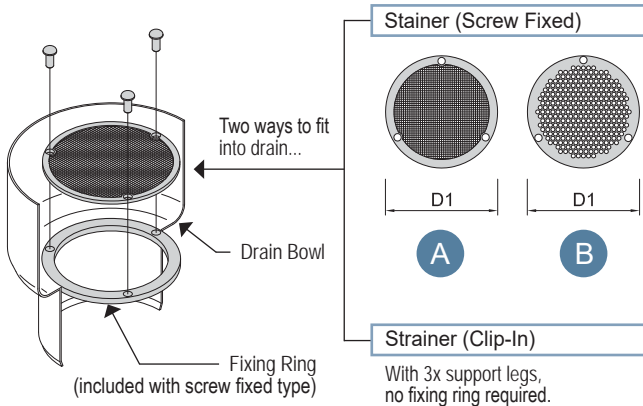
Use instead of a P-Trap to reduce the IL depth of the outlet.

Can be secured with Retaining Chain.

* Product has WaterMark approval.

(788) Secondary Strainer

Material: 316 stainless steel.



Outlet OD	Hole Dia	Image	Product No	Open %
110	2mm	A	788.110.KIT.02S	41%
	3.8mm	B	788.110.KIT.03S	36%
160	2mm	A	788.160.KIT.02S	42%
	3.8mm	B	788.160.KIT.03S	41%

Requirements for Trade Waste:
Some Water Authorities list 'Screw Fixed' Secondary Strainers as a standard requirement. Please ask if you're unsure.

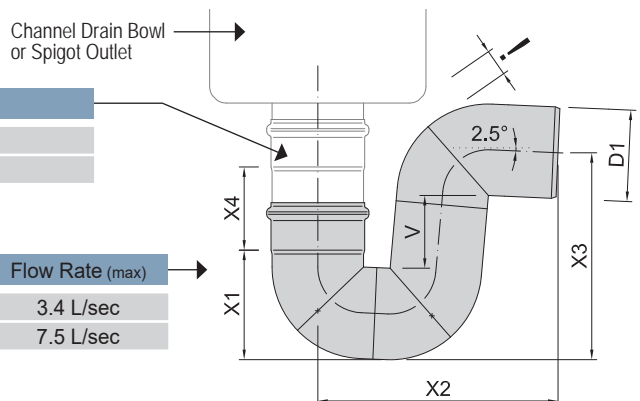
Material: 316 stainless steel.

Outlet OD	Hole Dia	Image	Product No	Open %
110	3.8mm	B	788.110.002.03S	37%
160	3.8mm	B	788.160.002.03S	42%

(525) P-Trap

Riser	Product No	D1	X4
A vertical riser is required to avoid a Drain Bowl hitting the P-Trap. Riser sold separately.	811.015.110S	110	225
	811.025.160S	160	345

P-Trap	Product No	D1	X1	X2	X3	V	Flow Rate (max)
	525.090.110S	110	132	289	249	89	3.4 L/sec
	525.090.160S	160	184	388	338	105	7.5 L/sec



Installing EuroPipe Drainage

The following information is only a guide. For specific installation assistance, please contact us first!

All work must comply with AS/NZ 3500 and any other relevant standards applicable to the installation.

Installing EuroPipe Drainage System

The Blucher EuroPipe drainage system relies on a socket and spigot join with a rubber ring seal.

As with all work using tools, the following points are to be adhered to and understood, along with the general safety practices such as wearing suitable clothing and equipment, being alert and focused, keeping the work area clean, clear of obstacles and keeping unauthorised persons clear.

If in doubt, please contact us before proceeding with any work.

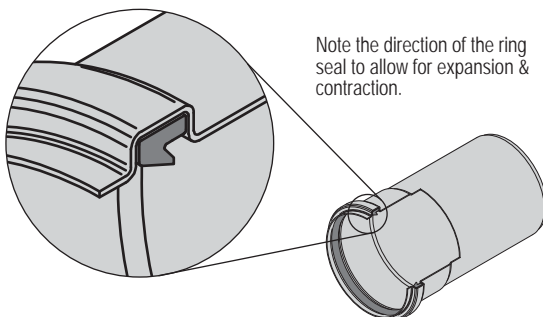
1. Cutting

- Blucher pipe lengths are supplied in standard lengths from 150mm through to 6.0m and may be trimmed using an approved Blucher Electric or Manual Pipe Cutter that creates a bevel on the pipe end and assists fitting. Care should be taken, as cut ends could be sharp.
- Do NOT cut with drop saws or angle grinders. Fittings must not be cut, only the pipe lengths.

2. Ring Seals

- Rubber ring seals are fitted to each socket end with EPDM supplied as standard.
- Check the ring seal is free of foreign matter and the correct type of seal is fitted for the application and temperatures to be used. These can be removed easily for cleaning.
- Ensure the ring seal is fitted correctly with taper facing outward.
- Replace the seal if unsure or incorrect.

Material	Colour	General Use	Operating Temp
EPDM	Dull Black	General use.	-40° to +100°C
FPM	Purple or Green	High temperature.	-25° to +200°C
NBR	Black + Yellow Dot	Oil & gas products.	-30° to + 80°C
VMQ	Red	High temperature.	-50° to +120°C



3. Joining

- Apply lubricant to ring seal & outside of spigots.
- Preferred lubricant is "Super Glidex" supplied by Blucher but an approved soap based lubricant can also be used. Grease is not to be used as this may damage sealing rings.
- Push the spigot into the socket fully with a slight turning movement.
- Joint is then pulled back 5mm to 10mm to allow for expansion and contraction.

4. In-Ground Installation

- When Blucher drainage products are being installed in-ground, only grade AISI 316L stainless steel is to be used.
- Bedding and surrounding fill is to be a minimum thickness of 50mm sand.
- Crushed aggregate or fine gravel is NOT to be used. PH of sand is to be neutral and free of chlorides or salts. Request Technical Data Sheet for more information.
- Wrapping of in-ground drainage is not required for standard applications - contact us if wrapping is required for your installation.

NOTE: Check with us prior to installation if earth is constantly damp, wet or subject to often or occasional high water table levels.

5. Bracketing

- Bracketing is to comply with AS/NZ 3500.
- If a dissimilar bracket metal is used, a protective isolation barrier is to be provided between the stainless steel pipe and bracket.
- Changes of direction on main suspended drainage should be bracketed in both directions as close as possible to bend, to prevent lateral movement.
- Extra bracketing may also be required at socket joints to prevent sagging.

6. Good Practice

- All branches should be 45 degree entry where possible.
- All main horizontal 90 degree direction changes should be made using 2 x 45° bends with a minimum 150mm length between. Minimum and maximum falls as required by AS/NZ 3500 must be adhered to.
- Venting procedures must comply with AS/NZ 3500.

7. Welding

If welding is to be carried out, prior approval must be obtained from Blucher Australia. Purge-welding procedures must be undertaken and all welds are to be pickled and passivated prior to installation and backfilling.

8. Special Applications

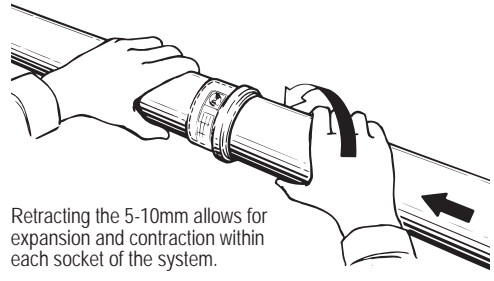
Blucher products can be used for special applications such as ducting, vacuum, siphonic drainage and low pressure pumping applications. Please consult us for technical advice.

Continues...

Installing EuroPipe Drainage (cont)

Expansion & Contraction

Both horizontal (suspended or ground) pipes and vertical runs must be mounted or fixed so that the force arising through heat expansion can neither bend the pipes nor pull the male ends from the sleeves.



Retracting the 5-10mm allows for expansion and contraction within each socket of the system.

Note: Because of the very low coefficient of expansion of Blucher EuroPipe under normal conditions (max. temperature 100°C and length of straight run maximum 40m), as a general rule fixing points and expansion sleeves may be omitted if the piping is a maximum of 5m and the male ends after joining are pulled a further 5 - 10mm from the sleeve.

Suspended Horizontal Installation

EuroPipe Diameter	Fixing Point Spacing
50	2.2m
75	2.5m
110	2.8m
160	3.3m
200	3.0m
250	3.0m

The distance between the suspended fixing points must be calculated on the basis of a permissible 1mm bending of the pipe. The bending for a single mounting is calculated for a water-filled pipe.

The tabled distances apply to flat lengths of continuous pipe. At fittings or joins in the suspended drainage, additional fixing points must be so placed that either the branch or the through pipe is held directly behind the sleeve.

If this is not possible, the span between fixing points must be reduced by half or, as an alternative, Joint Clamps can be installed for stability.

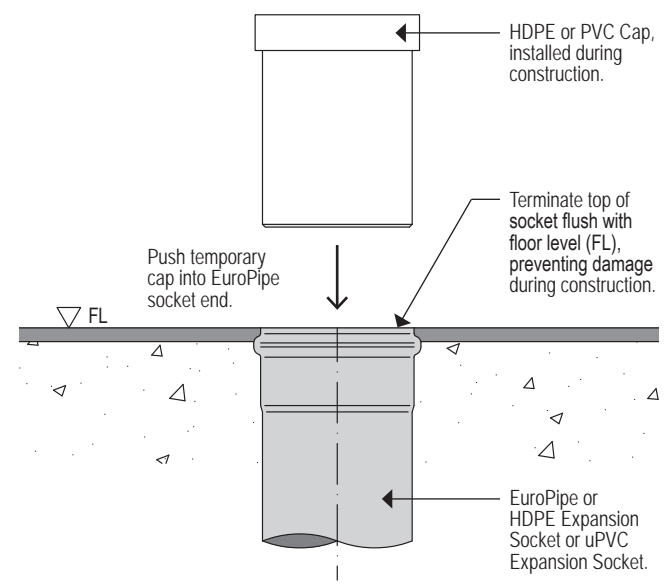
EuroPipe for Vacuum & Siphonic

Blucher EuroPipe has been used for both vacuum (sewer) piping & siphonic (rainwater) installations where traditional gravity systems would have proved difficult.

The material strength of stainless provides a high resistance to implosion and the rigid lengths are lightweight to install. We recommend Joint Clamps are used on each join and bracketing to resist the vibrations at 3m internals maximum or at a change in direction.

We recommended these systems are professionally designed - we have more information on request.

Above Ground Connection (EuroPipe to Floor Level)

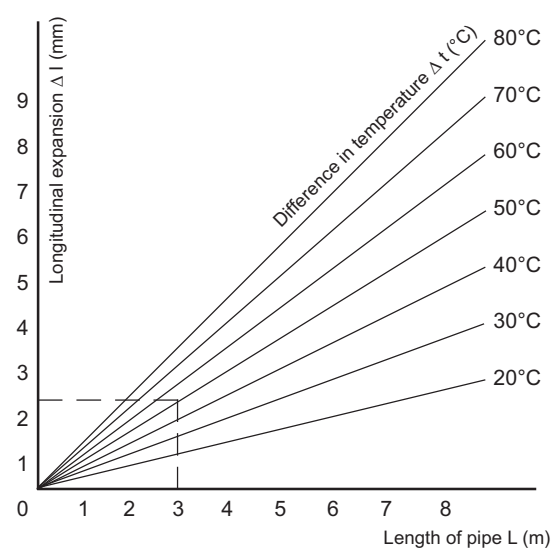


Vertical Piping

One mounting per storey is normally sufficient, but the maximum gap between each mounting should be 3m. Where larger inlets are connected, the downpipe must be secured immediately below the inlet and under each socket.

Longitudinal Expansion Diagrams

The below graphs demonstrate the relationship between pipe length (L) and longitudinal expansion Δl at various temperature differences (Δt .)



Example: A pipe of 3m expands longitudinally by approx. 2.5mm at a temperature difference of 50°C.

Continues...

Installing EuroPipe Drainage (cont)

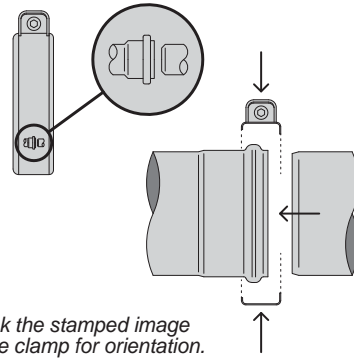
Working with Pressures & Joint Clamps

BLUCHER EuroPipe drainage uses a push-fit socket to join and in most cases, has sufficient strength to prevent the joints from sliding apart when bracketed correctly.

At higher pressures, where a blockage could increase pressures or if bracketing is difficult, a Joint Clamp is required.

Depending on the pressure, different installation methods are outlined below.

Joint Clamps can also be used as bracket fixing points (eg vacuum).



Check the stamped image on the clamp for orientation.

Small lip edge (fit over the socket), Large lip edge (fit over the spigot).

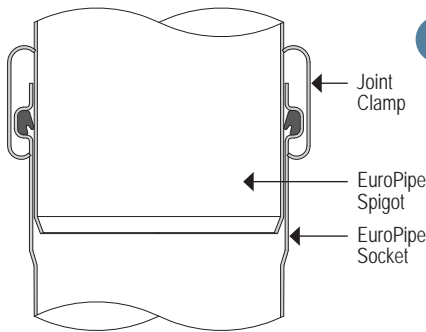
A A push-fit socket and spigot joint **without a clamp** is rated for pressures up to +0.5 bar.

Using Socket Plugs as Access Points

In most above ground gravity drainage systems designed for waste water and rainwater, Socket Plugs can be used without Joint Clamps.

After applying lubricant to the Socket Plug, it is up to the installer to determine if a Joint Clamp is required to secure the Socket Plug from being pushed out (eg as a result of an unforeseen blockage, etc) in the system.

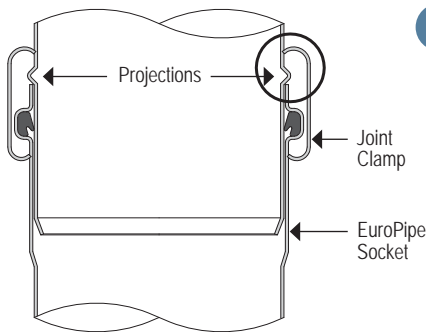
Refer to the product section for more information.



B Push-fit socket and spigot end **without projections**, with a joint clamp tightened can withstand the following pressures:

The joint clamp is fitted with the large lip edge on the exposed socket, the small lip edge fitted over the socket.

EuroPipe Diameter	Pressure Range
50mm	-0.85 to +2.0 bar
75mm	-0.85 to +2.0 bar
110mm	-0.60 to +2.0 bar
160mm	-0.60 to +1.0 bar
200mm	-0.60 to +0.5 bar
250mm	-0.60 to +0.2 bar
315mm	N/A



C The spigot is pressed **with a number of projections** (pressed dimples) and then inserted into the push-fit socket.

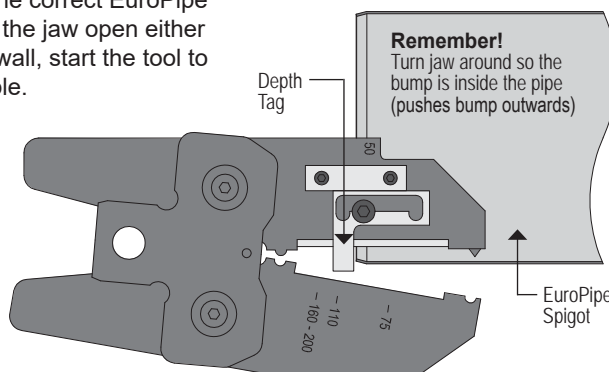
When fitted & tightened, the joint clamp grips against the projections and the join can withstand higher pressures - see table.

A special Dimple Jaw, used with a battery Blucher press tool (available for hire) is used to quickly press the required number of projections into the EuroPipe spigot.

It is important that the joint clamp is completely tightened and positioned over the projection (dimples), as circled in the diagram above.

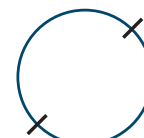
Set the depth tag on the Dimple Jaw (800.200.001) to the correct EuroPipe diameter and with the jaw open either side of the spigot wall, start the tool to complete the dimple.

Repeat until the required number of dimples are completed.

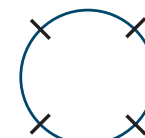


EuroPipe Diameter	Projections/ Spigot	Maximum Pressure
50mm	2	+3.0 bar
75mm	4	+3.0 bar
110mm	6	+3.0 bar
160mm	16	+3.0 bar
200mm	16	+3.0 bar
250mm	16	+2.5 bar

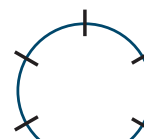
Projections are to be pressed equally spaced around the diameter of the spigot at the correct depth with the pressing jaw.



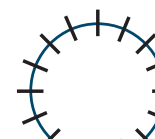
2 Projection Layout



4 Projection Layout



6 Projection Layout



16 Projection Layout

Installing Industrial Drains & Channels

Blucher Industrial Drain and Channel products are installed by positioning and fixing the drain bowl or channel base into place first. Then the accessories and grate fit within the drain bowl prior to use.

These instructions are based on common installation situations. If conditions, requirements or situations vary, contact Blucher Australia for advice before installing.

1. Preparation

If the Industrial Drain or Channel is installed in a recess, it should have a minimum 50mm gap on all edges (eg the cutout is 100mm wider overall than the Channel) and 50mm deeper than the outer dimensions.

Remember to allow for the anchor tags and levelling angles in sizing the cutout hole size.

If connecting to Blucher EuroPipe, the outlet spigot will push into the EuroPipe socket connection. For HDPE and PVC, use an expansion socket; for cast iron use an 'Ensign' joining socket.

Generally, outlet dimensions are 110mm or 160mm OD (outside diameter) on Blucher products.

2. Installing

Points are illustrated in the adjacent diagrams.

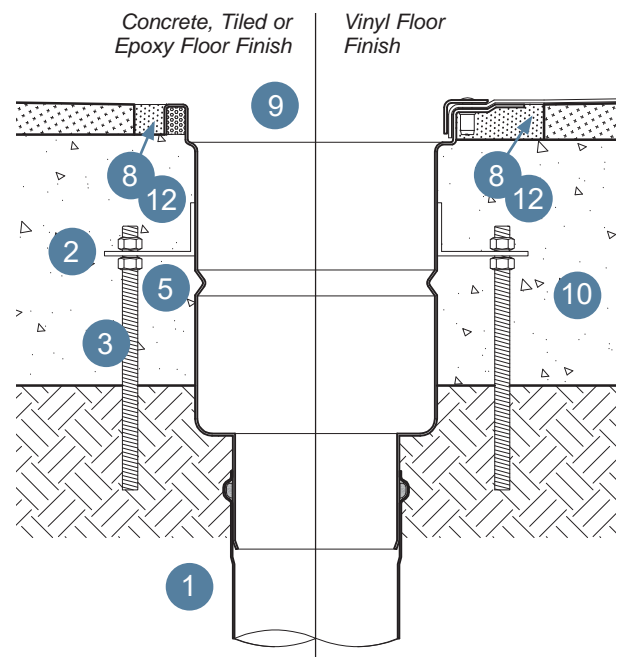
- 1) Ensure drainage piping is set up at correct height to suit depth of floor drain chosen (refer to technical information for measurements).
- 2) Fold out the anchor tags out 90° on the drain bowl or channel.
- 3) Position each levelling up-stand (or threaded rod support cut to length) with 1x nut on each support. Ensure appropriate moisture barriers are used to prevent corrosion as best practice construction, such as under each up-stand.
- 4) Place the drain bowl or channel into position and align with the levelling supports. Long channels with bolted flanges will require this to be completed in sections and with multiple people to prevent the channel from torquing.
- 5) Adjust the under nut on each support under the levelling angle to adjust & level the drain bowl or channel to the correct height. Add a second nut to each support above the levelling angle and tighten.
- 6) Tie anchor tags to steel reinforcement. This will help prevent movement or floating during concreting and earth the drain bowl or channel.
- 7) Confirm the drain bowl is at correct height and is level.
- 8) Install 10mm thick x 20mm deep styrene foam to outside perimeter of the top of the drain bowl.
- 9) Cover the drain bowl opening with plywood to ensure concrete and other foreign matter does not enter during construction.
- 10) Concrete footing is poured.

- 11) After concrete is set, and before final floor finish is applied (eg epoxy coating), remove the styrene foam from around outside perimeter of the drain bowl.
- 12) Fill the gap made by the foam with an approved polyurethane sealant (such as Sikaflex-11FC) as per manufacturer's instructions and ensuring the product installation procedures are adhered to.

Two common methods are used to secure & level the drain bowl or channel when installing:

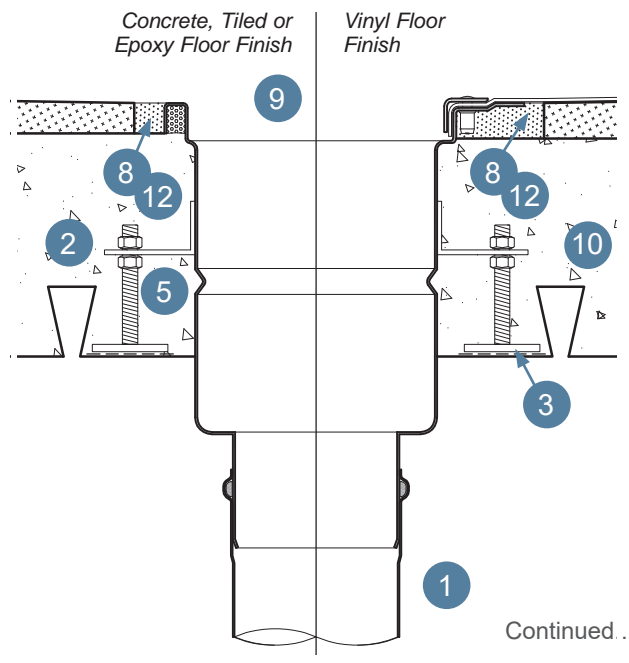
Method A – In Ground

Using the anchor tags and threaded rod.



Method B – Suspended Slab

Using the anchor tags and threaded rod stands.



Continued...

Installing Industrial Drains & Channels (cont)

3. Installing Grates and Accessories

- We recommend installing the grates and accessories as part of commissioning to prevent damage during construction.
- Remove any protective covering only if no damage can occur to the drain bowl before use.
- Fit the grate and accessories within the drain bowl as supplied. If a removable water trap is supplied, the filter basket must be positioned above the removable water trap in the drain bowl.
- Add the supplied lubricant to the ring seal of the Removable Water Trap before fitting to drain bowl.
- Confirm the grating fitted is suitable for the traffic load and application prior to use.

4. Bolted Flange Connections

Channels manufactured with bolted connections are supplied with the fixings and a Viton rubber gasket to assemble and join the channel sections together. Tighten bolts evenly to ensure gasket is not over or under compressed.

5. Special Installation Notes

Site materials can contaminate and damage the surfaces. Ensure the drain bowl and channel are clear of debris and cleaned in the approved method to avoid damage.

It is recommended that channels greater than 2.5m in length or irregular shapes be handled and installed with multiple people. This is to prevent the channel from accidental twisting and being damaged.

6. Flow Rates

Depending on the accessories installed and the drain bowl selected, the flow rates are expected based on 'clean' continuous flow of water, without solids. Flows with solids or contaminated water will experience lesser values.

Use the specified accessory with the lowest flow rate value when making flow calculations.

Corrosion Resistance

Resistance Against Corrosion

316 stainless steel is resistant to corrosion when it is exposed to clean atmosphere (ambient air). The probability of corrosion is increased by contact with corrosion-promoting construction materials or by installation in corrosive atmospheres such as coastal areas or chemical production facilities.

We offer technical advice and have access to metallurgist specialists for water quality & purity testing for specialised or projects with specific needs.

Protection Against External Corrosion

(Exposed or Underground Drainage)

- In areas at risk of corrosion, installation of exposed EuroPipe without corrosion protection should be avoided.
- If there is the risk of corrosive substances (eg. plaster, building materials containing chloride, concrete, high ground water levels, nitrite or ammonium) acting on the drainage over prolonged periods, surface-mounting or suitable corrosion protection is recommended.
- Protection against external corrosion must meet the following requirements:
 - Waterproof.
 - Non-porous.
 - Resistant to heat and ageing.
 - Undamaged.
- The minimum protection against external corrosion is coating, priming or painting.
- Contact Blucher Australia for recommended protection options.

Potable Water

- Corrosion-resistant steels do not react with potable water due to their protective chromium oxide layer. This makes stainless steel corrosion-resistant to potable water.
- Local corrosion effects such as pitting or crevice corrosion can occur in water with unduly high chloride content. This can occur from excessive chlorous disinfectant use or naturally occurring such as in bore water. Therefore, the duration of application and concentration for use must be strictly observed.
- The content of water-soluble chloride ions at ambient temperature in potable water and water which is similar to potable water should not exceed 250 mg/l (250 ppm).
- Corrosion resistance decreases as the temperature increases. Therefore, Blucher Australia must be notified of maximum media temperature and media contents (eg water analysis) to enable a suitability recommendation.

Treated Water

All water treatment methods such as ion exchange or reverse osmosis can be used with grade 316 stainless steel. No additional measures to protect against corrosion are necessary.

Stainless steel is corrosion-resistant to treated water such as:

- Softened/decarbonised water.
- Fully desalinated water (deionised, demineralised, distilled and pure condensates).
- Ultrapure water with a conductivity of < 0.1 $\mu\text{S}/\text{cm}$.

Commissioning & Maintenance

Blucher products require little maintenance. In most environments, little or no maintenance is necessary. This would include wet areas, shower rooms and kitchens.

We recommend installing the grates and accessories as part of commissioning to prevent damage during construction.

Please ensure wash downs or waste types do not contain chemicals that are deemed unsatisfactory on the "Chemical Resistance Table" available from Blucher Australia.

Care is to be taken to prevent scratching to the Blucher EuroPipe, Channel and Industrial Drains. Avoid any contact with, grinding and welding sparks, metal shavings, corrosive chemicals or any material or process which may cause failure during construction and also from future maintenance. Ensure that all drains and accessories are properly "dry" cleaned to remove any foreign products from drain bowls etc, before initial wet clean. A visual inspection is recommended if any rust spots appear caused by these foreign products, please ensure these are removed using a scotch bright cleaning pad only, then thoroughly washed out. This process should also be followed after any maintenance once plant is commissioned.

In especially demanding environments, such as food processors, chemical industries and agriculture, it may be necessary to clean to avoid coating that could lead to corrosion later. Cleaning can be carried out with high-pressure cleaning or high pressure flushing equipment.

If installed in locations effected by coastal conditions, a regular cleaning regime is to be implemented.

Where there is heavy coating, plastic or brass tools can be used. With especially persistent coating, diluted citric acid can be used to loosen the deposit. This must be flushed with large quantities of water afterwards. Cleaning of drains, including the emptying of filter basket, is to be performed at least once every shift and when required.

In cases of difficulty, users should consult us for technical advice.

Disinfecting the System

This is carried out to meet more stringent hygiene requirements, and in the event of severe microbial contamination. Contact us for more information.

To protect the environment and simplify handling, the Australian Drinking Water Guidelines (ADWG) recommend the use of hydrogen peroxide, however chlorine can also be used to disinfect.

Before commissioning the system carefully follow the instructions for use, particularly in relation to the contact time, maximum solution concentration and subsequent flushing requirements.

Note: To reliably prevent corrosion damage, during disinfection do not exceed the maximum chlorine concentration and contact times as tabled below:

- The Australian water regulations allow dosing with up to 1.2mg/l of free chlorine in the disinfectant solution, provided a limit of 0.3mg/l of free (active) chlorine is not exceeded in the drinking water.
- Quantities can be increased to 6mg/l and 0.6mg/l respectively in exceptional circumstances for example, high or increased micro bacterial contamination.

Flushing the System

In the case of stainless steel, the possibility of corrosion promoted by foreign matter such as dirt or swarf can be ruled out. It is therefore sufficient to simply flush the system with potable (drinking) water ensuring the content of water-soluble chloride ions is within approved Blucher Australia limits.

When using any solution, ensure the system is flushed correctly and the manufactures instructions are followed in an accurate and safe manner at all times.

Commissioning

Systems must be commissioned in accordance with the applicable standards and regulations.

The installation contractor must familiarise the user(s) with the system. This is to be documented with a hand-over and acceptance record.

The user must also be provided with the manufacturer's maintenance and operating instructions for all installed valves and equipment.



The following table is to be used as a reference guide only.
 Please contact Blucher Australia for additional technical information and clarification for specific applications or requirements.
 This table is to be read in-conjunction with the Media Chart, available from Blucher Australia.

STAINLESS STEEL AISI 316L EuroPipe Push-Fit Drainage & Fittings	STAINLESS STEEL AISI 316L Industrial Drain Bowls & Accessories	STAINLESS STEEL AISI 316L Channels
<p>Applications:</p> <ul style="list-style-type: none"> ▪ Sewer – Black & Grey Waters, ▪ Rising Mains, ▪ Welded Drainage Systems, ▪ High Temperature Drainage (less than 200°C), ▪ Food Processing Areas, ▪ Abattoir Drainage Systems, ▪ Fire Rated Drainage Systems – Ember Vent ▪ Stormwater & Siphonic Systems, ▪ Fuels/ Oils, ▪ Contaminated Wastes – PC3 Labs, ▪ Chemical lines, ▪ Vacuum, Factory & Prisons, ▪ Project Specific Designed Applications ▪ Other applications on request. 	<p>Applications:</p> <ul style="list-style-type: none"> ▪ Sewer – Black & Grey Waters, ▪ High Temperature Drainage, ▪ Food Processing Areas, ▪ Abattoir Drainage Systems, ▪ Fire Rated Drainage Systems, ▪ Stormwater & Siphonic Systems, ▪ Fuels/ Oils, ▪ Contaminated Wastes, ▪ Chemical lines, ▪ Project Specific Designed Applications, ▪ Other applications on request. 	<p>Applications:</p> <ul style="list-style-type: none"> ▪ Domestic, Commercial & Industrial ▪ Grey Waters, ▪ High Temperature Drainage, ▪ Food Processing Areas, ▪ Abattoir Drainage Systems, ▪ Stormwater Drainage Systems, ▪ Bunted Areas - Fuels/ Oils, ▪ Project Specific Designed Applications, ▪ Other applications on request.
<p>Material Description (EuroPipe):</p> <ul style="list-style-type: none"> ▪ Made in Denmark, ▪ 316L Stainless Steel, ▪ AISI 316L, EN 1.4404 ▪ Cr,Ni,Mo 17-12 - 2.1 ▪ Carbon 0.02% ▪ Component designed system – Push-Fit, ▪ Hygienic, ▪ Longitudinal TIG welded, ▪ Solution Passivated, ▪ Easily Adapted to other systems. 	<p>Material Description (Drain Bowls):</p> <ul style="list-style-type: none"> ▪ Made in Denmark, ▪ 316L Stainless Steel, ▪ AISI 316, EN 1.4404 ▪ Cr,Ni,Mo 17-12 - 2.1 ▪ Carbon 0.02% ▪ Component designed system – Push-Fit, ▪ Hygienic, Self Cleaning, ▪ Hygienic Lip In-fill, ▪ Round OR Square Grate Shape ▪ Suited for Concrete, Vinyl, Tile & Epoxy, ▪ TIG welded, ▪ Solution Passivated, ▪ Easily Adapted to other systems. 	<p>Material Description (Channels):</p> <ul style="list-style-type: none"> ▪ Made in Australia & Denmark, ▪ AISI 316 Stainless Steel standard, ▪ 2-Part Epoxy Hygienic Lip In-fill, ▪ Fall Incorporated in Length, ▪ Component designed system, ▪ Flanged joined when over 6m in length, ▪ TIG welded, ▪ Folded from 1.5mm thick sheet, ▪ Solution Passivated, ▪ Easily Adapted to other systems.
<p>Material Description (Fittings):</p> <ul style="list-style-type: none"> ▪ Made in Denmark, ▪ 316L Stainless Steel, ▪ AISI 316L, EN 1.4404 ▪ Cr,Ni,Mo 17-12 - 2.1 ▪ Carbon 0.02% ▪ Full Drainage Design, ▪ Hygienic, ▪ Solution Passivated, ▪ Easily Adapted to other systems. 	<p>Material Description (Accessories):</p> <ul style="list-style-type: none"> ▪ 316L Stainless Steel. ▪ AISI 316L EN 1.4404 ▪ Cr,Ni,Mo 17-12 - 2.1 ▪ Carbon 0.02% ▪ Full Drainage Design, ▪ Solution Passivated, ▪ Easily Adapted to other systems. 	<p>Material Description (Alterations):</p> <ul style="list-style-type: none"> ▪ In-House Design Team, ▪ Alterations Conducted Locally, ▪ Tundish & branch outlets easily installed, ▪ 316 Stainless Steel, ▪ Cr,Ni,Mo 17-12 - 2.1 ▪ Carbon 0.02 ▪ AISI 316, EN 1.4404 ▪ Solution Passivated, ▪ Easily Adapted to other systems.
<p>System Standards & Approvals:</p> <ul style="list-style-type: none"> ▪ WaterMark Approved ▪ AS 3500 ▪ AS 3959 – 2009 (ember vent) ▪ Vacuum Approved DS/EN 1124-4 DIN 86280-3: 1999-04 	<p>System Standards & Approvals:</p> <ul style="list-style-type: none"> ▪ WaterMark Approved ▪ AS 3500 ▪ WSAA Approved Grate Load Rating Compliant ▪ Vacuum Approved DS/EN 1124-4 DIN 86280-3: 1999-04 ▪ AS 3996 – Grate Load Rating Compliant 	<p>System Standards & Approvals:</p> <ul style="list-style-type: none"> ▪ AS 3500 ▪ WSAA – Grate Load Rating Compliant ▪ AS 3996 – Grate Load Rating Compliant
<p>Ring Seals:</p> <ul style="list-style-type: none"> ▪ The ring seal material is selected based on the applications and identified by colour. ▪ All fittings are supplied with a standard EPDM ring seal fitted unless ordered otherwise. <p><i>Refer application to Blucher Australia for ring seal suitability.</i></p> <ul style="list-style-type: none"> ▪ EPDM (Dull Black) <ul style="list-style-type: none"> ▪ Ethylene propene ▪ Operating Temp: -40°C to +100°C ▪ FPM (Purple) <ul style="list-style-type: none"> ▪ Fluorine (Viton) ▪ Operating Temp: -25°C to +200°C ▪ NBR (Black with yellow dot) <ul style="list-style-type: none"> ▪ Nitrile ▪ Operating Temp: -30°C to +80°C ▪ SI or VMQ (Red) <ul style="list-style-type: none"> ▪ Silicone Rubber ▪ Operating Temp: -50°C to +120°C ▪ Used in special fire-resistant penetrations 	<p>Ring Seals:</p> <ul style="list-style-type: none"> ▪ Only two accessories require ring seals. <ul style="list-style-type: none"> ▪ Water Trap ▪ Gas tight Cover ▪ Both are supplied with a standard EPDM ring seal. <p><i>Refer application to Blucher Australia for ring seal suitability.</i></p> <ul style="list-style-type: none"> ▪ EPDM (Dull Black) <ul style="list-style-type: none"> ▪ Ethylene propene ▪ Operating Temp: -40°C to +100°C 	<p>Flange Gasket Seals:</p> <ul style="list-style-type: none"> ▪ The flange gasket material is Viton ▪ All channels over 6mtrs are supplied with a viton gasket. ▪ Fixing bolts and screws are also supplied. <p><i>Refer application to Blucher Australia for ring seal suitability.</i></p> <ul style="list-style-type: none"> ▪ FPM (Black) <ul style="list-style-type: none"> ▪ Fluoropolymer (Viton equivalent) ▪ Operating Temp: -30°C to +180°C

Information provided is intended to be used as a guide only and can be updated at any time without notice.
 Please confirm Revision number with Blucher Australia.
 Z:\Technical-Drainage - Blucher\Media Charts & Tech Data Sheets\Tech Data Sheet\Blucher Tech Data Sheet (Drainage).doc



Blucher EuroPipe Drainage, Industrial Drains & Channels

Technical Data Sheet

BLUCHER Australia Pty Ltd
Technical
Version: 2011-01

Page 2 of 2

STAINLESS STEEL AISI 316L
EuroPipe Push-Fit Drainage & Fittings

Blucher EuroPipe & Fitting Sizing:

- EuroPipe is a push-fit drainage system.
- Pipe and fittings supplied with a female socket end and a tapered spigot end.
- Pipe supplied in lengths from 150 to 5000mm depending on diameter and cut to length onsite.
- Product range stocked in Australia.
- Range of fittings; 45 bends, P-Traps, Junctions, etc – refer to catalogue.
- Refer to Blucher Catalogue for details.

Tube OD (mm)	Wall Thickness (mm)
50	1.0
75	1.0
110	1.0
160	1.25
200	1.5
250	1.5

Refer to Blucher Drainage Catalogue for more information and suitability.

Technical Support:
Blucher Australia provides:

- System / installation suitability checks for all of our products.
- Water testing and Metallurgist reports to ensure correct product selection.
- CAD / REVIT BIM drawings available on request.
- Installation design,
- Product alterations, special design.
- Standards reference assistance,
- Representation in each State and Territory.

More Information:

Contact Blucher Australia:

- Phone: (08) 8374 3426
- Email: technical@blucher.com.au
- Website: www.blucher.com.au

Contact S&T Stainless Ltd:

- Phone: 0800 426 787
- Email: blucher.stainless@steelandtube.co.nz
- Website: www.stainless.steelandtube.co.nz

STAINLESS STEEL AISI 316L
Industrial Drain Bowls & Accessories

Blucher Industrial Drains:

- One piece design for hygiene.
- Hygienic lip In-Fill standard (square and round top models).
- Product range stocked in Australia.
- Designed specifically for food processing, pharmaceutical and hygiene sensitive areas.

Drain Bowl Top Profiles:

- 3 different profiles for different floor types:

Floor Type	Square Top	Round Top	Round Vinyl Lock Top
Concrete, Epoxy or Tiled	200x200 or 300x300	200 dia or 300 dia	N/A
Timber Floors	N/A	N/A	200 dia or 300 dia
Vinyl Sheet	N/A	N/A	200 dia or 300 dia

Inlets

- Custom designed to suit project.

Outlets:

- Horizontal or vertical.
- 110 or 160mm OD.

Floor Grates:

- Stainless Steel construction.
- Designed for different traffic loads, flow rates and applications.
- Cast grate specifically designed for high traffic load and hygiene requirements.
- Interchangeable and replaceable.

Profiles

- Non-Slip, Slot, Mesh, Cast, Ladder, Wedge, Gas Tight or custom available on request.

Optional Accessories:

- Accessories fit within the drain bowl.
- Removable for easy cleaning.

Accessory	Details
Filter Basket	Perforations 3 – 5mm.
Removable Water Trap	Approved design.
Silt Buckets	Custom Designed
Fixed Secondary Strainer	Perforations 3 – 5mm.

Refer to Blucher Drainage Catalogue for more information and suitability.

STAINLESS STEEL AISI 316L
Channels

Blucher Channels:

- Designed to suit application.
- Hygienic lip In-Fill standard.
- Channels designed to incorporate the Industrial Drain accessories.
- For transporting, long channels are supplied in maximum 6 metre long sections.

***Type 670 – for Concrete, Tile or Epoxy Floors**

- 'V' bottom with fall to outlet(s).
- 1 - 3m lengths stocked other lengths available on request.
- 150 – 500mm wide grate.
- Suitable for *food processing, pharmaceutical, supermarkets & commercial kitchens*

***Type 672 – for Vinyl Floors**

- 'V' bottom with fall to outlet(s).
- Manufactured on request.
- 150 – 200mm wide grate.
- Suitable for *hospitals, schools & commercial kitchens*

***Type 673 –Slot Channel**

- Designed for concrete, tiled or epoxy floors.
- 'V' bottom with fall to outlet(s).
- Manufactured on request.
- Suitable for *food processing (not abattoirs), pharmaceutical, supermarkets, low solids wash areas & commercial kitchens*

***Type 674 – Hygiene (Half Round) Channel**

- Designed for concrete, tiled, epoxy or vinyl floors.
- Half round bottom with fall to outlet(s).
- Manufactured on request.
- Suitable for *food processing, pharmaceutical, supermarkets, general use & abattoirs.*

***Shower & Residential Channel**

- Designed for concrete, tiled, epoxy or vinyl floors.
- Flat bottom with fall to outlet(s).
- Manufactured on request from 304 stainless.
- Suitable for *schools, aged care, balconies, accommodation & sporting facilities wet areas.*

Outlets:

- Horizontal, vertical, & multiple.
- 50 -160mm standard or custom built.
- 200mm or 300mm Industrial Drain bowls, incorporating water trap, filter baskets & other accessories.

Floor Grates:

- Stainless Steel construction.
- Designed for different traffic loads, flow rates and applications.
- Cast grate specifically designed for high traffic load and hygiene requirements.
- Interchangeable and replaceable.

Profiles

- Shower, Non-Slip, Slot, Mesh, Cast, Ladder, Wedge or custom available on request.

Refer to Blucher Drainage Catalogue for more information and suitability.

- Where is it going to be used?
- What channel type is required? (Floor finish)
- What length is required?
- What width is required? (based on outlet and grate sizes)
- What outlet is required?
- What grate is required? (load rating)
- Does it require a filter basket or water trap accessories to be fitted?
- When is the channel due to be installed?

Information provided is intended to be used as a guide only and can be updated at any time without notice.
Please confirm Revision number with Blucher Australia.
Z:\Technical\–Drainage - Blucher\Media Charts & Tech Data Sheets\Tech Data Sheet\Blucher Tech Data Sheet (Drainage).doc

Blucher Drainage EuroPipe Drainage
Blucher Drainage Industrial Drains
Blucher Drainage Channel Drains
Blucher Drainage Light Duty Drains
Blucher Drainage Technical