

Brass Ball Valve



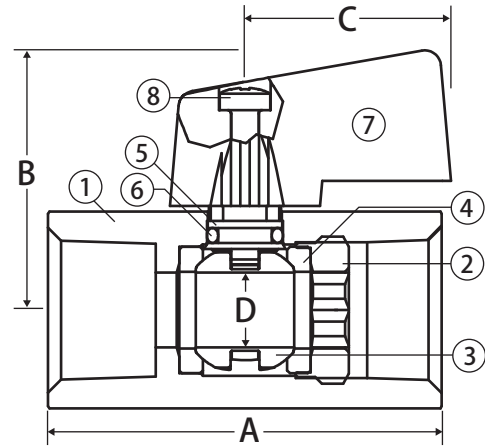
**1 Piece • Standard Port • Threaded Connection • Mini Valves
450 WOG**



FIP x FIP



MIP x FIP
T-84-M



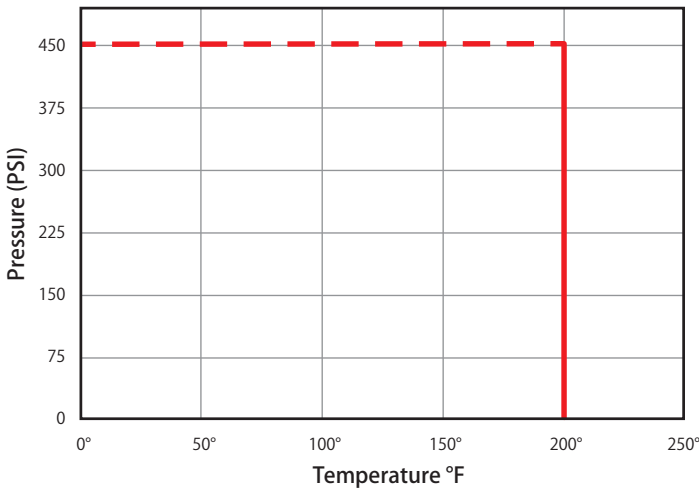
Features

- Blow-out proof stem
- Single o-ring stem design
- Chrome plated brass
- 100% leak tested
- 100% Made in Italy

Approvals

- MSS SP-110
- ANSI B1.20.1

Valve Seat Rating 450 WOG



Material Specifications

No.	Part	Materials
1	Body	Chrome Plated Brass - CW614N
2	Body Inset	Brass - CW614N
3	Ball	Nickel Plated Brass - CW614N
4	Seat (2)	PTFE
5	Stem	Brass - CW614N
6	Stem O-Ring	Buna-N
7	Handle	Nylon 66 - 30% Glass Filled
8	Handle screw	Steel

Dimensions

Part No.	Size	A	B	C	D
100-430	1/8"	1.54	1.05	0.86	0.31
100-431	1/4"	1.70	1.05	0.86	0.31
100-432	3/8"	1.70	1.07	0.86	0.31
100-433	1/2"	2.09	1.16	0.86	0.39
MIP x FIP					
100-440	1/8"	1.54	1.05	0.86	0.31
100-441	1/4"	1.70	1.05	0.86	0.31
100-442	3/8"	1.70	1.07	0.86	0.31
100-443	1/2"	2.09	1.16	0.86	0.39
Extended Handle					
100-460	1/8"	1.54	1.05	2.28	0.31
100-461	1/4"	1.70	1.05	2.28	0.31
100-462	3/8"	1.70	1.07	2.28	0.31
100-463	1/2"	2.09	1.16	2.28	0.39