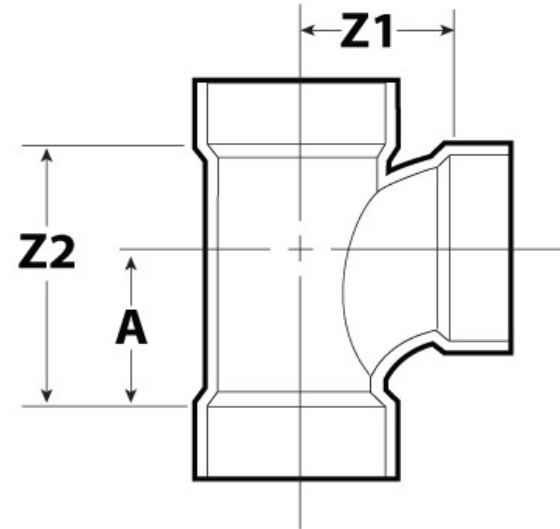




Part Description:  
2" PVC WHITE DWV Sanitary Tee H X H X H

Part Number:  
192152L

**IPEX USA LLC**  
Eastern U.S. TOLL FREE (888) 461-5307  
Western U.S. TOLL FREE (800) 463-9572



Part #	Part UPC	Colour	Size (inches)	Ctn Qty	Ctn Bar Code	Ctn. Wt (Kgs)	Ctn. Wt (lbs)	Skid Cubic (m)	Skid Cubic (ft)	Ctns/Skid
192152L	662671190062	WHITE	2X2X2	40	10662671190069	9.40	20.68	1.86	65.82	32

**Dimensions (inches)**

A	B	C	D	Z1	Z2
2.241	3.069	2.45	2.769	2.262	3.628