

### Features

- Oval basin.
- Centered drain.
- No faucet holes; requires wall- or counter-mount faucet.

### Material

- Vitreous china.

### Installation

- Drop-in

### Recommended Products/Accessories

K-9018 P-Trap

### Included Components

Additional Components:  
Adjustable linkage



ADA

CSA B651

### Codes/Standards





ASME A112.19.2/CSA B45.1  
ADA  
ICC/ANSI A117.1  
CSA B651

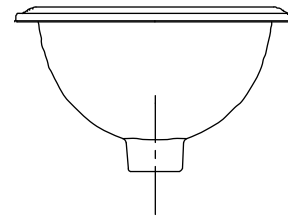
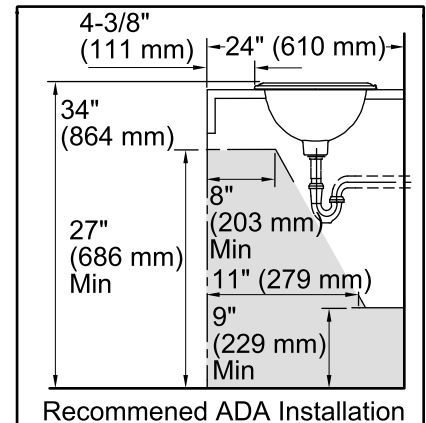
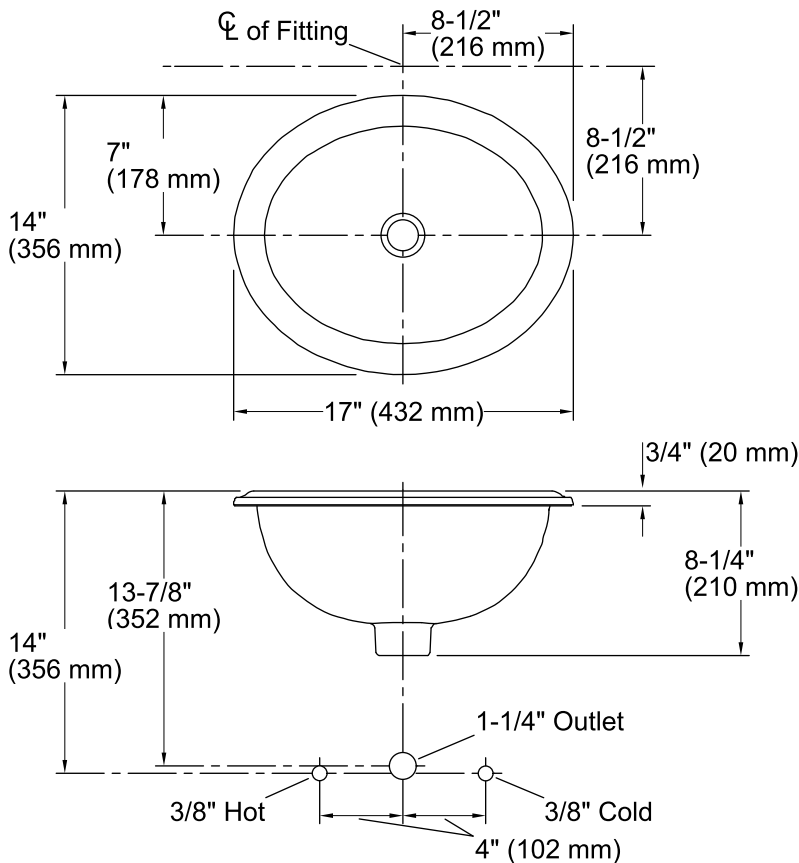
### KOHLER® One-Year Limited Warranty

See website for detailed warranty information.

### Available Colors/Finishes

*Color tiles intended for reference only.*

Color	Code	Description
	0	White
	96	Biscuit
	47	Almond
	55	Innocent Blush™



### Technical Information

All product dimensions are nominal.

Bowl configuration:	Single
Installation:	Drop-in
Bowl area (Only):	Length: 13-7/8" (352 mm) Width: 10-7/8" (276 mm) Water depth: 6-1/8" (156 mm)
Drain hole:	1-3/4" (44 mm)
Template:	116213-7, required, included

### Notes

Install this product according to the installation instructions.

Spout must be 4-1/2" (114 mm) long (min.) for adequate clearance into sink.

**NOTICE:** Countertop manufacturer or cutter must use the cutout template provided with the product, or a current one provided by Kohler Co. (call 1-800-4-KOHLER). Kohler Co. is not responsible for cutout errors when the incorrect cutout template is used.

ADA, CSA B651 compliant when installed to the specific requirements of these regulations.