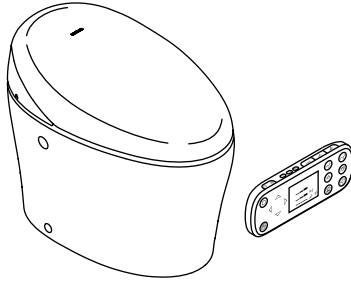


Homeowners Guide

Toilet with Cleansing Seat

K-4026



Français, page "Français-1"
Español, página "Español-1"

THE BOLD LOOK
OF **KOHLER**®

1221754-5-C

IMPORTANT SAFEGUARDS

READ ALL INSTRUCTIONS BEFORE USING

When using electrical products, especially when children are present, basic safety precautions should always be followed, including the following:



DANGER: Risk of electric shock. Connect only to a circuit protected by a Ground-Fault Circuit-Interrupter (GFCI)*.



WARNING: Risk of electric shock. Disconnect power before servicing.

*Outside North America, this device may be known as a Residual Current Device (RCD).



WARNING: To reduce the risk of burns, electrocution, fire, or injury to persons:

- Close supervision is necessary when this product is used by or near children, the elderly, or invalids. Adjust the temperature of the seat for the elderly, those who are incapacitated, or persons with sensitive skin.
- Use this product only for its intended use as described in this manual. Do not use attachments not recommended by Kohler Co.
- Never operate this product if it has a damaged cord or plug, if it is not working properly, if it has been dropped, damaged, or dropped into water. Return the product for examination and repair.
- Keep the cord away from heated surfaces.
- Never block the air openings of the product. Keep the air openings free of lint, hair, and the like.
- Never use while sleeping or drowsy.
- Never drop or insert any object into any opening or hose.
- Do not use outdoors or operate where aerosol spray products are being used or where oxygen is being administered.
- Connect this product to a properly grounded outlet only. See the "Grounding instructions" section.

SAVE THESE INSTRUCTIONS

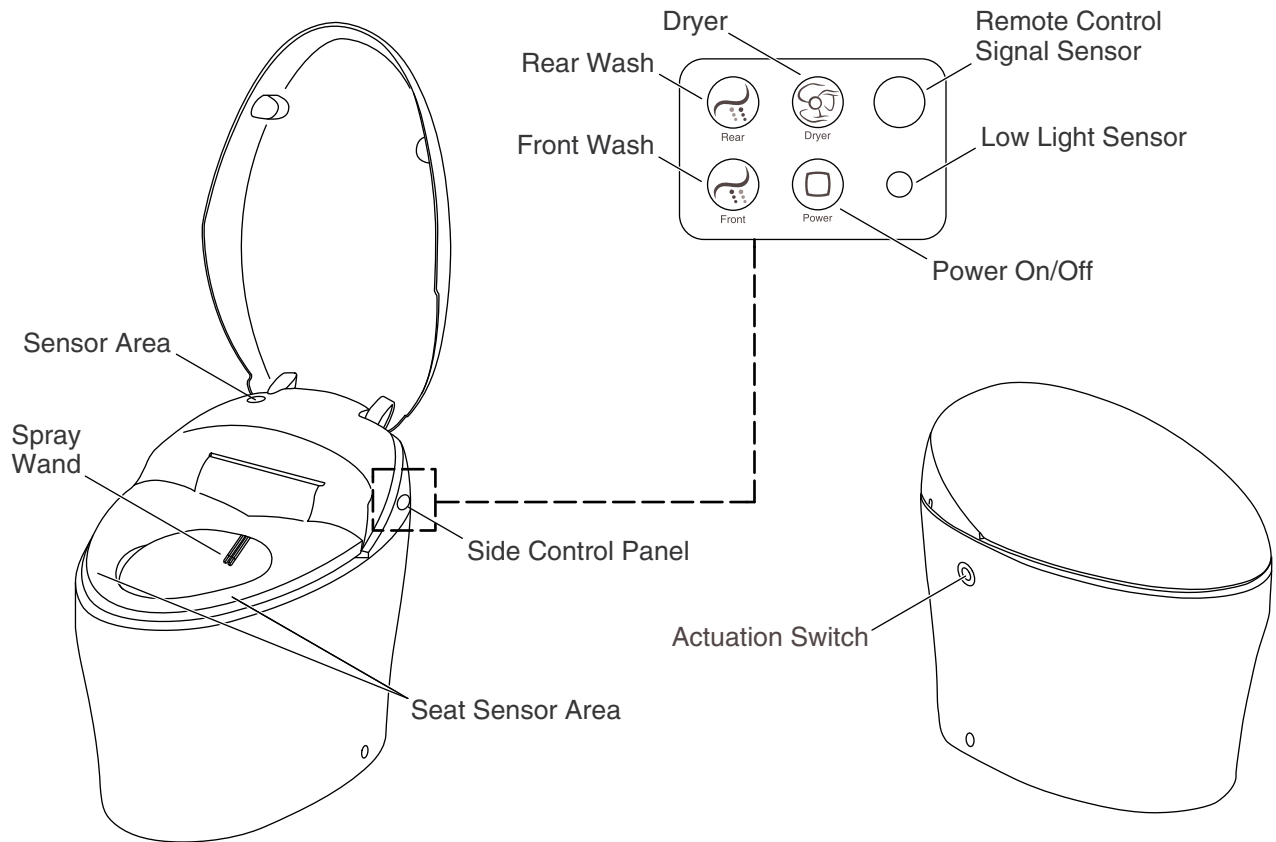
Grounding Instructions

- This product should be grounded. In the event of an electrical short circuit, grounding reduces the risk of electric shock by providing an escape wire for the electric current. This product is equipped with a cord having a grounding wire with a grounding plug. The plug must be plugged into an outlet that is properly installed and grounded.



DANGER: Risk of electric shock. Improper use of the grounding plug can result in a risk of electric shock.

- If repair or replacement of the cord or plug is necessary, do not connect the grounding wire to either flat blade terminal. The wire with insulation having an outer surface that is green with or without yellow stripes is the grounding wire.
- Check with a qualified electrician or service personnel if the grounding instructions are not completely understood, or if in doubt whether the product is properly grounded.
- Do not use an extension cord with this product.



Features - Toilet

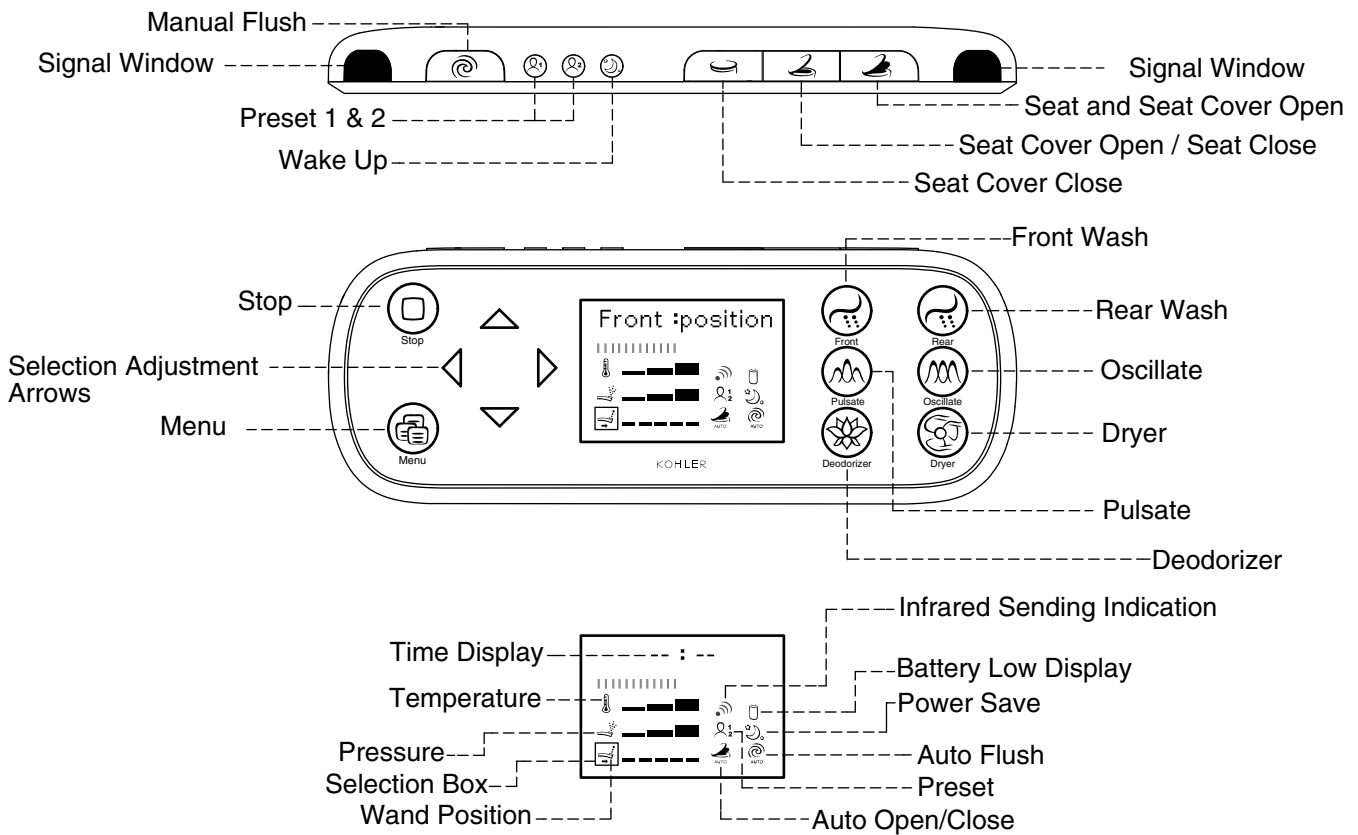
NOTE: Many of the features can be adjusted, enabled, or disabled using the remote control. Specific directions for these procedures are listed later in this manual.

General Features

- **Automatic Flushing** - Automatically flushes the toilet after the user stands up, lowers the seat, or leaves the area 60 seconds after use.
- **Automatic Open/Close** - Automatically opens the seat cover when the toilet is approached. The cover and seat will automatically close when approached if they are open. The seat and seat cover will automatically close 3 minutes after the toilet has been used.
- **Energy Save Mode** - The toilet can be programmed to conserve energy. When enabled, the toilet will enter and exit an energy conservation mode at programmed times. The toilet comes with this feature enabled and set to 6 hours.
- **Deodorizer** - Eliminates or reduces unpleasant odors while the toilet is in use.
- **Side Controls** - Allow the user to control basic toilet features without the remote control.
- **Heated Seat** - An adjustable heating option that keeps the seat warm.
- **Night Light** - Automatically turns on in low light conditions.

Cleansing Features

- **Front/Rear Wash** - Front and rear wash feature adjustable positioning, adjustable water temperature, adjustable water pressure, and pulsate and oscillate water action.
- **Dryer** - The dryer features adjustable air temperature.



Features - Remote Control

Top of Remote Control

- **Manual Flush** - Press to flush the toilet.
- **Presets 1 and 2** - Allows two sets of user settings to be saved. Select one of these buttons to use the settings saved with that preset.
- **Wake Up** - Press to activate the remote control when it is hibernating.
- **Seat Cover Close** - Press to close the cover.
- **Seat Cover Open/Seat Close** - Press to open the seat cover or close the seat.
- **Seat and Seat Cover Open** - Press to open the seat cover and seat.
- **Signal Window** - Signal emanates from this area. The signal window should not be covered when the remote control is in use.

Front of Remote Control

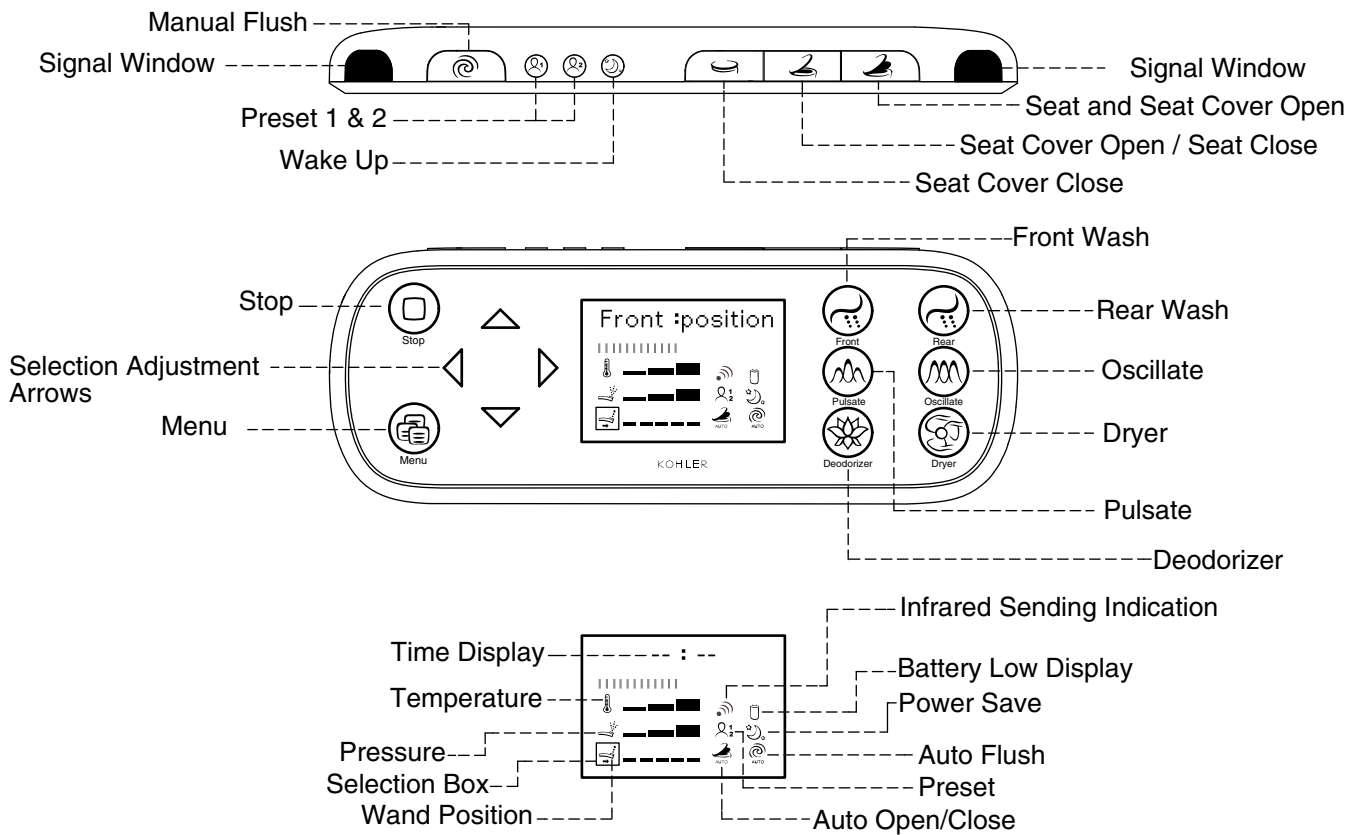
- **Stop** - Press to stop the cleansing wash and deodorizer.
- **Selection Adjustment Arrows** - Press to change the selections shown in the display window, adjust settings, or change the options on features.
- **Menu** - Press to activate or deactivate features, program features, and program the clock.
- **Front** - Press to activate the front wash.
- **Rear** - Press to activate the rear wash.
- **Pulsate** - Press to activate pulsating action from the cleansing wand. Water pressure will vary while pulsating action is activated.

Features - Remote Control (cont.)

- **Oscillate** - Press to activate or deactivate oscillating action on the cleansing wand. When oscillate is activated the wand slides in and out.
- **Deodorizer** - Press to activate or deactivate the deodorizer feature. When activated the deodorizer fan will turn on.
- **Dryer** - Press to activate the dryer.

Display Screen On Remote Control

- **Time or Feature Display** - This area will display the time when the remote control is not in use. The active feature will be displayed when the remote control is in use. When the menu option is selected the features will display here.
- **Temperature** - Select this icon to adjust the water temperature or air temperature when the cleansing features are in use. Press the left arrow to decrease the temperature or right arrow to increase the temperature.
- **Pressure** - Select this icon to adjust the water pressure when front or rear wash is activated.
- **Selection Box** - Appears around a feature that is selected. That feature can then be adjusted using the right and left arrows. Move the box to another option by using the up or down arrows.
- **Wand Position** - Select this icon to adjust the position of the wand. Press the left arrow to move the wand back or right arrow to move the wand forward.
- **Infrared Sending Indication** - The remote control is connected to the toilet when this icon is present.
- **Low Battery Indicator** - Batteries need replacement when this icon is present.
- **Power Save** - The remote control is inactive when this icon is present.
- **Auto Flush** - The auto flush feature is activated when this icon is present.
- **Preset** - One of the user presets is selected when this icon is present.
- **Auto Open/Close** - When this icon is pictured the auto open/close feature is activated. The feature is deactivated if this icon is not present.



Feature Setup or Changes

Clock

- Press the **[Wake Up]** button.
- Press the **"Menu"** icon and press the up or down arrow until **[Clock set]** is displayed.
- Press the right arrow. Select **[12H]** or **[24H]** for the display style using the up or down arrows.
- Press the right arrow and adjust the hour using the up and down arrows. The hours will also change the **[am]** or **[pm]** setting.
- Press the right arrow and adjust the minutes using the up or down arrows.
- Press the **"Menu"** icon to save the setting.

Auto-flush

- Press the **[Wake Up]** button.
- Press the **"Menu"** icon and press the up or down arrow until **[Auto-flush]** is displayed.
- Press the right arrow, and change the setting to **[Auto-flush:on]** or **[Auto-flush:off]** using the up or down arrows.
- Press the **"Menu"** icon to save the setting.

Power Save

NOTE: Power save mode deactivates the heated seat. When the toilet is in power save mode the indicator light in the sensing window appears red.

- Press the **[Wake Up]** button.
- Press the **"Menu"** icon and press the up or down arrow until you find **[Power save]**.

Feature Setup or Changes (cont.)

- Press the right arrow and change the setting to [Timer: off], [Timer: 3 hrs], [Timer: 6 hrs], or [Timer: 9 hrs].
- Press the "Menu" icon to save the setting.

Seat Temperature

- Press the [Wake Up] button.
- Press the "Menu" icon and press the up or down arrow until [Seat temp] appears.
- Select the right arrow, then use the up or down arrow until your desired setting is displayed.
- Press the "Menu" icon to save the setting.

Language

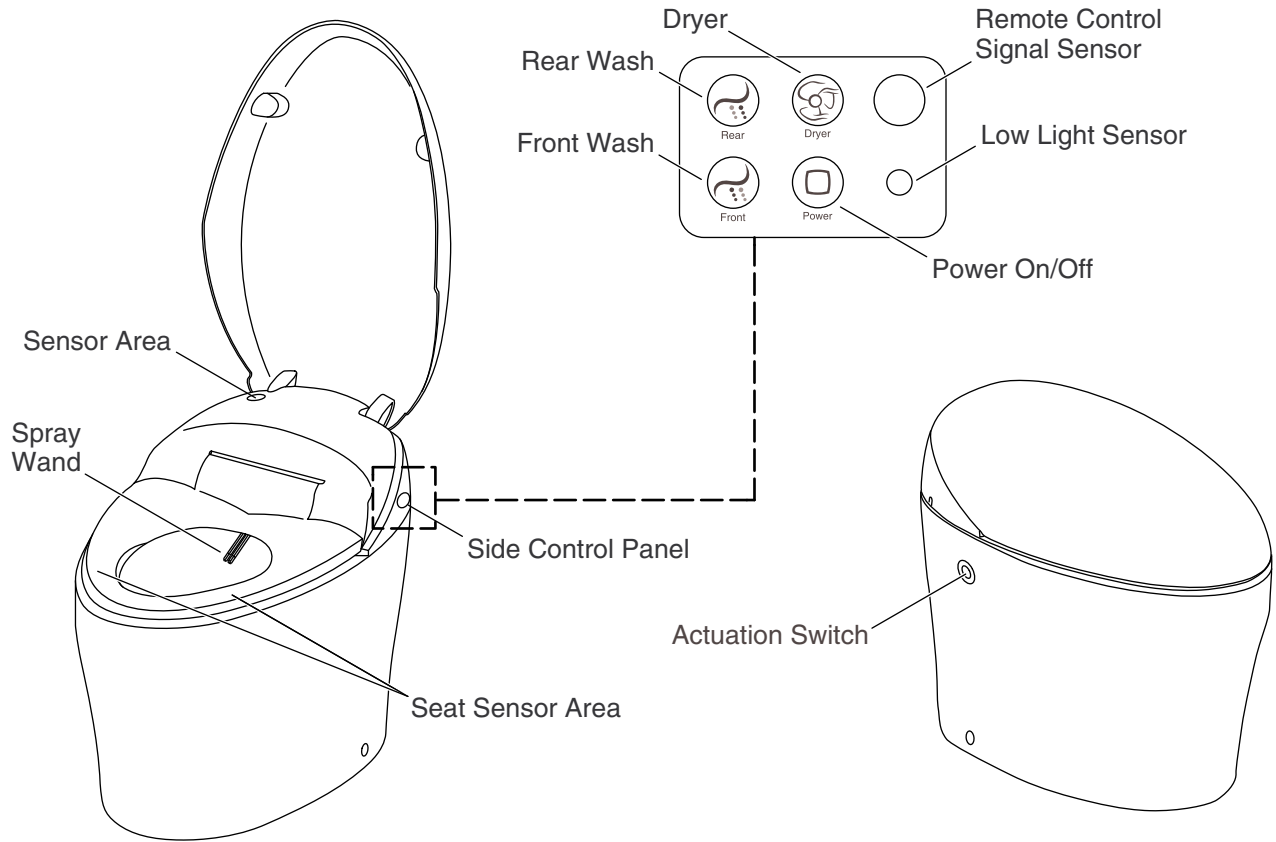
- Press the [Wake Up] button.
- Press the "Menu" icon
- Press the up or down arrow until you reach the [Language] selection.
- Select the right arrow, then select the up or down arrow until the desired language appears.
- Press the "Menu" icon to save the setting.

Night Light

- Press the [Wake Up] button.
- Press the "Menu" icon and press the up or down arrow until [Night light] appears.
- Select the right arrow, then use the up or down arrow to change the setting to [Light: on] or [Light: off].
- Press the "Menu" icon to save the setting.

Seat Auto Open/Close

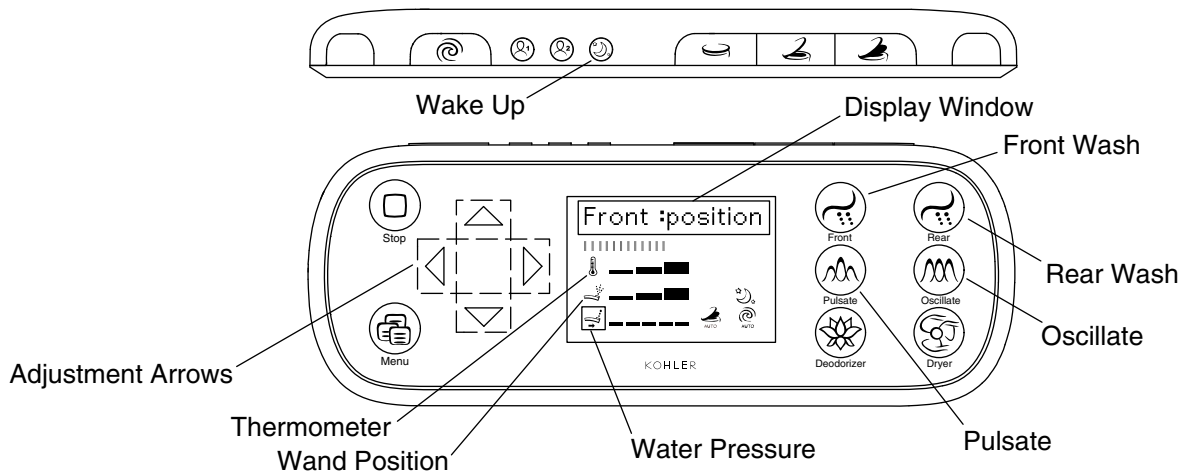
- Press the [Wake Up] button.
- Press the "Menu" icon and press the up or down arrow until [Auto-open seat] appears.
- Select the right arrow, then use the up or down arrow to change the setting to [Auto-open: on] or [Auto-open: off].
- Press the "Menu" icon to save the setting.



Manual Operation

NOTE: When the cleansing wash features are activated from the side control panel, they will default to the middle temperature, pressure, and wand position settings.

- **"Rear"** - Press the icon to activate rear wash. Press again to stop rear wash.
- **"Front"** - Press the icon to activate front wash. Press again to stop front wash.
- **"Dryer"** - Press the icon to activate the dryer. Press again to stop the dryer.
- **"Power"** - Press the icon to turn the power off.
- **Remote Control Sensor** - Receives the signal from the remote control.
- **Low Light Sensor** - Senses low light levels and turns the nightlight on when the automatic feature is enabled. To enable or disable the nightlight, refer to the "Enable/Disable Automatic Features" section.
- **Flush** - Press the actuation button to manually flush the toilet. To flush during a power outage, pour a 2-gallon bucket of water into the bowl.



Using the Cleansing Features

NOTE: The cleansing feature will automatically stop after 5 minutes.

NOTE: Cleansing features can also be activated using the side controls on the toilet.

NOTE: Water temperature, water pressure, wand position, and massage action are adjustable while the front or rear wash is in use.

Using the Front Cleansing Wash

- Press the **[Wake Up]** button.
- Press the **"Front"** icon.
- Press the **"Stop"** icon to end.

Using the Rear Cleansing Wash

- Press the **[Wake Up]** button.
- Press the **"Rear"** icon.

Adjusting the Water Temperature

NOTE: The temperature level is shown next to the thermometer in the display.

- Make sure the thermometer icon is indicated and **[Front: temp]** appears in the window.
- If needed, select the thermometer icon using the up and down arrows.
- Press the right arrow to increase the water temperature or left arrow to decrease the water temperature. There are three settings available.

Adjusting the Water Pressure

- Make sure the water pressure icon is indicated and **[Front: pressure]** appears in the window.
- If needed, select the thermometer icon using the up and down arrows.
- Press the right arrow to increase the water pressure or left arrow to decrease the water pressure. There are three settings.

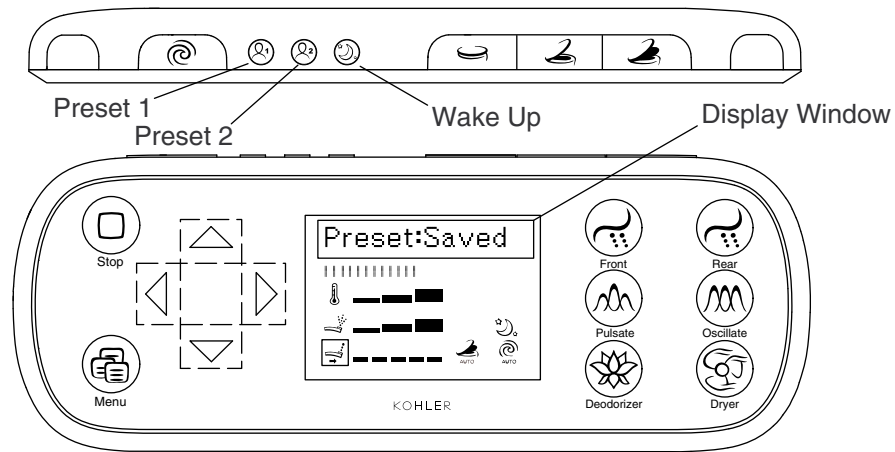
Adjusting the Wand Position

- Make sure the wand icon is indicated and **[Front: position]** appears in the window.
- If needed, select the wand position icon using the up and down arrows.
- Press the right arrow to increase the water temperature or left arrow to decrease the water temperature. There are three settings.

Using the Cleansing Features (cont.)

Oscillate and Pulsate

- Select the "Pulsate" or "Oscillate" icons.
- If needed, select the thermometer icon using the up and down arrows.
- Press the right arrow to increase the water temperature or left arrow to decrease the water temperature. There are three settings.



Creating a User Profile

Set each of the features to your desired settings. Features to set include:

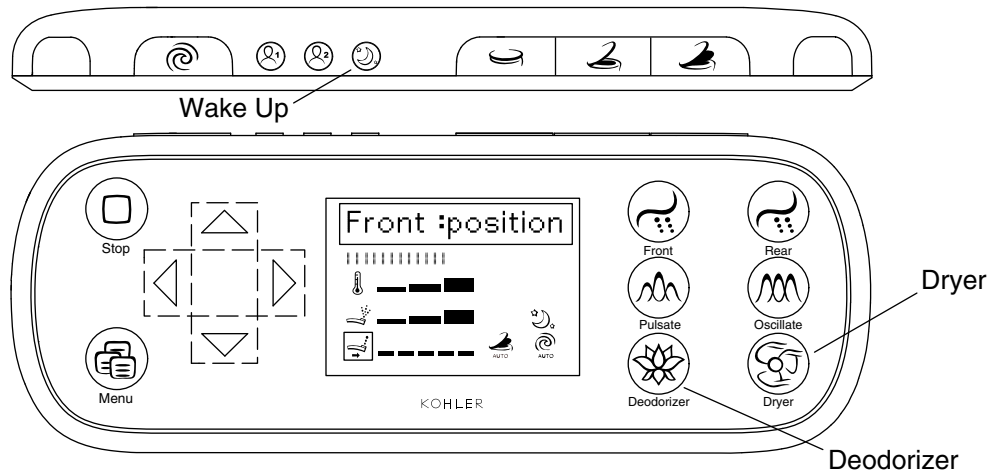
- Front or rear wash, water pressure, water temperature, wand position, pulsate, and oscillate.
- Dryer air temperature.
- Seat temperature.

After you have the desired settings:

- Push and hold the **[Preset 1]** or **[Preset 2]** button down for more than 2 seconds.
- Confirm **[Preset:Saved]** appears in the display window.

Using the Presets

- When you sit down to use the toilet, press the **[Wake Up]** button.
- Press the **[Preset 1]** or **[Preset 2]** button. The settings for the preset you chose will be applied.



Using the Dryer and Deodorizer

Using the Dryer

- Press the [Wake Up] button.
- Press the "Dryer" icon.
- To adjust the air temperature, press the right arrow to increase the air temperature or left arrow to decrease the air temperature.

Using the Deodorizer

- Press the [Wake Up] button.
- Press the "Deodorizer" icon.

Care and Cleaning



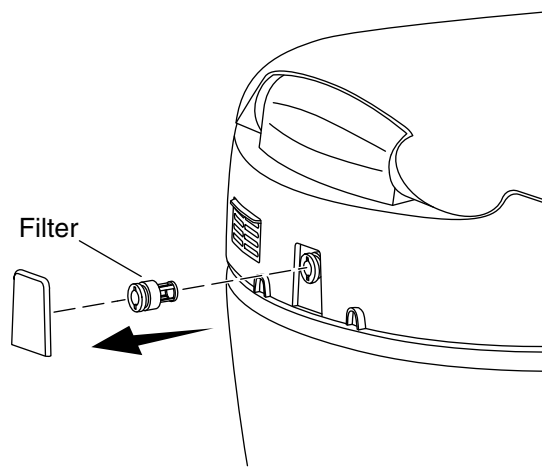
WARNING: Risk of property or product damage. Do not use in-tank cleaners in your toilet. Products containing chlorine (calcium hypochlorite) can seriously damage fittings in the tank. This damage can cause leakage and property damage.

Kohler Co. shall not be responsible or liable for any tank fitting damage caused by the use of cleaners containing chlorine (calcium hypochlorite).

For best results, keep the following in mind when caring for your KOHLER product:

- Always test your cleaning solution on an inconspicuous area before applying to the entire surface.
- Wipe surfaces clean and rinse completely with water immediately after applying cleaner. Rinse and dry any overspray that lands on nearby surfaces.
- Do not allow cleaners to soak on surfaces.
- Use a soft, dampened sponge or cloth. Never use an abrasive material such as a brush or scouring pad to clean surfaces.
- **For Artist Edition Toilets:** Treat your decorative product just as you would treat your fine china. DO NOT use bristle brushes or abrasive-backed sponges. They will scratch decorative surfaces. Use only warm water to clean. Dry with a cotton cloth or soft sponge.

For detailed cleaning information and products to consider, visit kohler.com/clean. To order Care & Cleaning information, call 1-800-456-4537.



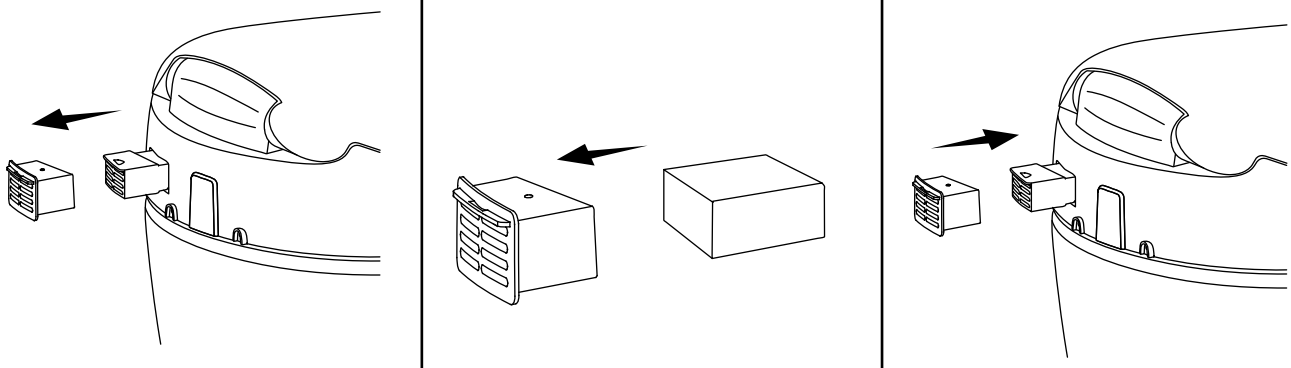
Servicing the Wand and Filter

Cleaning the Spray Wand

- On the side control panel, press and hold the "FRONT" or "REAR" button to extend the wand forward.
- Clean the spray wand with a soft-bristled brush and hot water.
- The wand will automatically retract after 2 minutes. Press the "FRONT" or "REAR" wash icon to retract if needed.

Cleaning or Replacing the Filter

- Disconnect the power to the toilet.
- Turn off the water by closing the water supply stop.
- Remove the filter cover.
- If the filter is damaged, replace it.
- If the filter is clogged, remove all debris.
- Install the filter.
- Reinstall the cover.
- Open the supply stop.
- Reconnect the power to the toilet.



Servicing the Deodorizer

NOTE: The deodorizer should be replaced every 2 years or when its performance is decreasing.

- Remove the deodorizer cartridge assembly by grasping it and gently pulling it out.
- Remove the filter from the housing by pushing it through the back side from the vented side.
- Insert the replacement filter into the housing.
- Reinstall the deodorizer cartridge assembly.

Troubleshooting

NOTE: For service parts information, visit the product page at kohler.com/serviceparts.

Small Children

- The automatic flush and cleansing features are activated by a sensor located under the seat. Small children may not be tall enough to be detected by the sensor.

General

Symptoms	Probable Causes	Recommended Action
1. The toilet has no power.	A. The power is not turned on.	A. Press the "Power" icon on the side control panel.
	B. The power cord is not connected.	B. Connect the power cord.
	C. The GFCI or RCD is tripped.	C. Reset the GFCI or RCD (if applicable).
2. The toilet does not flush but has power.	A. There is no water being supplied to the toilet.	A1. Open the water supply stop all the way.
		A2. The overflow sensor is not functioning properly.
	B. The pump connection has not been made properly.	B. Check the pump connection. Reconnect properly.
	C. The level switch is not properly connected.	C. Check the level switch connection.
3. The toilet has power, does not respond.	D. The actuation assembly does not work.	D. Replace the actuation assembly.
	A. The actuation switch is not properly connected.	A. Check the actuation switch connection.

Troubleshooting (cont.)		
General		
Symptoms	Probable Causes	Recommended Action
	B. As the toilet is powering off, before the prompt sound has stopped, the power was turned on again.	B. After turning the power off wait until the prompt sound has ended before turning the power back on.
4. No water comes from the cleansing wand or it has a weak stream when it is activated.	A. The water supply stop is closed or only partially open.	A. Open the water supply stop all the way.
	B. The inlet hose from the water supply stop to the toilet is kinked or looped too tight.	B. Remove the kink in the hose or make the loop wider.
	C. Seat sensor does not detect the user.	C. Small children may not be detected. Adjust the sitting position. The sensor may have difficulty with fabric or other objects. The sensor is designed to sense skin.
	D. The water supply screen is blocked or damaged.	D. Service the filter following the instructions in the Homeowners Guide.
5. The heated seat is not warm at all or it is not as warm as desired.	A. The heated seat feature is not enabled.	A. Activate the heated seat feature using the remote control.
	B. The temperature setting is too low.	B. Adjust the heated seat temperature using the remote control.
6. Water stops flowing from the spray wand before you are finished cleansing.	A. 5 minutes after pressing one of the spray icons, washing automatically stops.	A. Press the "Rear" or "Front" icon again.
7. Deodorizer feature is not working.	A. The deodorizer is not activated.	A. Activate the deodorizer feature using the remote control.
8. The toilet does not flush automatically.	A. Automatic flush feature is not enabled.	A1. Activate the automatic flush feature using the remote control.
		A2. The sensor did not detect the user. If this issue occurs repeatedly, call the Customer Care Center using the information provided on the back page of this manual.
9. The nightlight does not turn on in low light conditions.	A. Nightlight is not enabled.	A. Enable the nightlight feature using the remote control.
	B. Low light sensor is not working properly.	B1. Clean the light sensor located on the side control panel.
		B2. Call the Customer Care Center using the information provided on the back page of this manual.
Remote Control		
Symptoms	Probable Causes	Recommended Action
1. The remote control is not turning on.	A. The batteries are not correctly installed.	A. Remove and reinstall the batteries.
	B. The batteries are drained.	B. Replace the batteries.
		B2. Call the Customer Care Center using the information provided on the back page of this manual.

Troubleshooting (cont.)

Remote Control

Symptoms	Probable Causes	Recommended Action
2. The remote control is not connecting with the toilet.	A. The signal windows on the remote control are blocked or dirty.	A. Make sure your hands are not covering the two black windows on the top edges of the remote control. Clean the windows if they are dirty.
	B. The remote control signal sensor on the toilet is not receiving the signal.	B1. Make sure the remote control signal sensor is clean and does not have any obstructions near it. B2. Call the Customer Care Center using the information provided on the back page of this manual.
3. Cannot read the text displayed on the remote control display window.	A. It is the wrong language in the display.	A. Change the language on the remote control following the provided instructions.
		A2. Call the Customer Care Center using the information provided on the back page of this manual.

Remote Control Compliance

FCC ID: N82-KOHLER014

This device complies with Part 15 of the FCC Rules. Operation is subject to the following two conditions:

1. This device may not cause harmful interference, and
2. This device must accept any interference received, including interference that may cause undesired operation.

Changes or modifications not expressly approved by the party responsible for compliance could void the user's authority to operate the equipment.

This equipment has been tested and found to comply with the limits for a Class B digital device, pursuant to Part 15 of the FCC Rules. These limits are designed to provide reasonable protection against harmful interference in a residential installation. This equipment generates, uses, and can radiate radio frequency energy and, if not installed and used in accordance with the instructions, may cause harmful interference to radio communications. However, there is no guarantee that interference will not occur in a particular installation. If this equipment does cause harmful interference to radio or television reception, which can be determined by turning the equipment off and on, the user is encouraged to try to correct the interference by one of the following measures:

- Reorient or relocate the receiving antenna.
- Increase the separation between the equipment and receiver.
- Connect the equipment into an outlet on a circuit different from that to which the receiver is connected.
- Consult the dealer or an experienced radio/TV technician for help.

RF Exposure Warning

This transmitter with its antenna complies with FCC's RF exposure limits for general population/uncontrolled exposure.

This device must not be co-located or operated in conjunction with any other antenna or transmitter.

This device should be operated with a minimum distance of at least 20 cm between the antenna and a person's body.

CANADA IC: 4554A-KOHLER014

Remote Control Compliance (cont.)

This device complies with Industry Canada licence-exempt RSS standard(s).

Operation is subject to the following two conditions:

1. This device may not cause interference, and
2. This device must accept any interference, including interference that may cause undesired operation of the device.

This transmitter with its antenna complies with Industry Canada RF Exposure Limits for General Population/Uncontrolled Exposure.

This Class B digital apparatus complies with Canadian ICES-003.

Warranty

KOHLER Intelligent Toilet and C3 Cleansing Seat Three-Year Limited Warranty

Kohler Co. warrants that its toilets with integrated cleansing functionality ("Intelligent Toilets") and electric cleansing seats will be free of defects in material and workmanship during normal residential use for three years from the date the product is installed. This warranty applies only to intelligent toilets and electric cleansing seats installed in the United States of America, Canada and Mexico ("North America").

If a defect is found in normal residential use, Kohler Co. will, at its election, repair, provide a replacement part or product, or make appropriate adjustment where Kohler Co.'s inspection discloses any such defect. Damage caused by accident, misuse, or abuse is not covered by this warranty. Improper care and cleaning will void the warranty*. Proof of purchase (original sales receipt) must be provided to Kohler Co. with all warranty claims. Kohler Co. is not responsible for labor charges, installation, or other incidental or consequential costs other than those noted above. In no event shall the liability of Kohler Co. exceed the purchase price of the intelligent toilet or electric cleansing seat.

If the intelligent toilets or electric cleansing seats are used commercially or are installed outside of North America, Kohler Co. warrants that the intelligent toilet or electric cleansing seat will be free from defects in material and workmanship for one (1) year from the date the product is installed, with all other terms of this warranty applying except duration.

If you believe that you have a warranty claim, contact your Home Center, Dealer, Plumbing Contractor or E-tailer. Please be sure to provide all pertinent information regarding your claim, including a complete description of the problem, the product, model number, the date the product was purchased, from whom the product was purchased and the installation date. Also include your original invoice. For other information, or to obtain the name and address of the service and repair facility nearest you, write Kohler Co., Attn: Customer Care Center, Kohler, Wisconsin 53044 USA, or by calling 1-800-4-KOHLER (1-800-456-4537) from within the USA and Canada, and 001-800-456-4537 from within Mexico, or visit www.kohler.com within the USA, www.ca.kohler.com from within Canada, or www.mx.kohler.com in Mexico.

THE FOREGOING WARRANTIES ARE IN LIEU OF ALL OTHER WARRANTIES, EXPRESS OR IMPLIED, INCLUDING BUT NOT LIMITED TO THE IMPLIED WARRANTIES OF MERCHANTABILITY AND FITNESS FOR A PARTICULAR PURPOSE. KOHLER CO. AND/OR SELLER DISCLAIM ANY LIABILITY FOR SPECIAL, INCIDENTAL OR CONSEQUENTIAL DAMAGES.

Some states/provinces do not allow limitations of how long an implied warranty lasts or the exclusion or limitation of such damages, so these limitations and exclusions may not apply to you. This warranty gives the consumer specific legal rights. You may also have other rights that vary from state/province to state/province. This warranty is to the original consumer purchaser only, and excludes product damage due to installation error, product abuse, or product misuse, whether performed by a contractor, service company, or the consumer.

This is Kohler Co.'s exclusive written warranty.

* Never use cleaners containing abrasive cleansers, ammonia, bleach, acids, waxes, alcohol, solvents or other products not recommended for stainless steel or polypropylene plastic. This will void the warranty.

Guide du propriétaire

Toilette avec siège nettoyant

MESURES DE SÉCURITÉ IMPORTANTES

LIRE TOUTES LES INSTRUCTIONS AVANT UTILISATION

Lors de l'utilisation de produits électriques, et en particulier en présence d'enfants, toujours observer les mesures de sécurité fondamentales, notamment:



DANGER: Risque de choc électrique. Raccorder uniquement à un circuit protégé par un disjoncteur de fuite de terre (GFCI)*.



AVERTISSEMENT: Risque de choc électrique. Déconnecter l'alimentation électrique avant d'effectuer un entretien.

* Hors de l'Amérique du Nord, ce dispositif peut être connu sous le nom de dispositif à courant résiduel (RCD).



AVERTISSEMENT: Pour réduire le risque de brûlures, d'électrocution, d'incendie ou de blessures personnelles:

- Il est nécessaire de superviser de près lorsque ce produit est utilisé par des enfants, des personnes âgées ou invalides, ou lorsqu'il se trouve dans leur proximité. Ajuster la température du siège pour les personnes âgées, les personnes frappées d'incapacité, ou les personnes dont la peau est sensible.
- Utiliser ce produit uniquement pour l'usage auquel il est destiné, tel que décrit dans ce manuel. Ne pas utiliser de dispositifs d'attache non recommandés par Kohler Co.
- Ne jamais faire fonctionner ce produit si son cordon ou sa prise sont endommagés, s'il ne fonctionne pas correctement, s'il est tombé, s'il est endommagé, ou s'il est tombé dans de l'eau. Retourner le produit pour le faire examiner et réparer.
- Tenir le cordon à distance de surfaces chauffées.
- Ne jamais bloquer les ouvertures d'air du produit. S'assurer de l'absence de peluches, de cheveux ou d'autres éléments similaires sur les ouvertures d'air.
- Ne jamais utiliser ce dispositif lorsque l'on dort ou si l'on se sent somnolent.
- Ne jamais faire tomber ou insérer un objet quelconque dans une ouverture ou un tuyau.
- Ne pas utiliser ce dispositif à l'extérieur et ne pas le faire fonctionner en présence de produits aérosols ou si l'on administre de l'oxygène.
- Connecter ce produit à une prise mise à la terre de manière adéquate uniquement. Voir la section "Instructions de mise à la terre".

CONSERVER CES INSTRUCTIONS

Instructions de mise à la terre

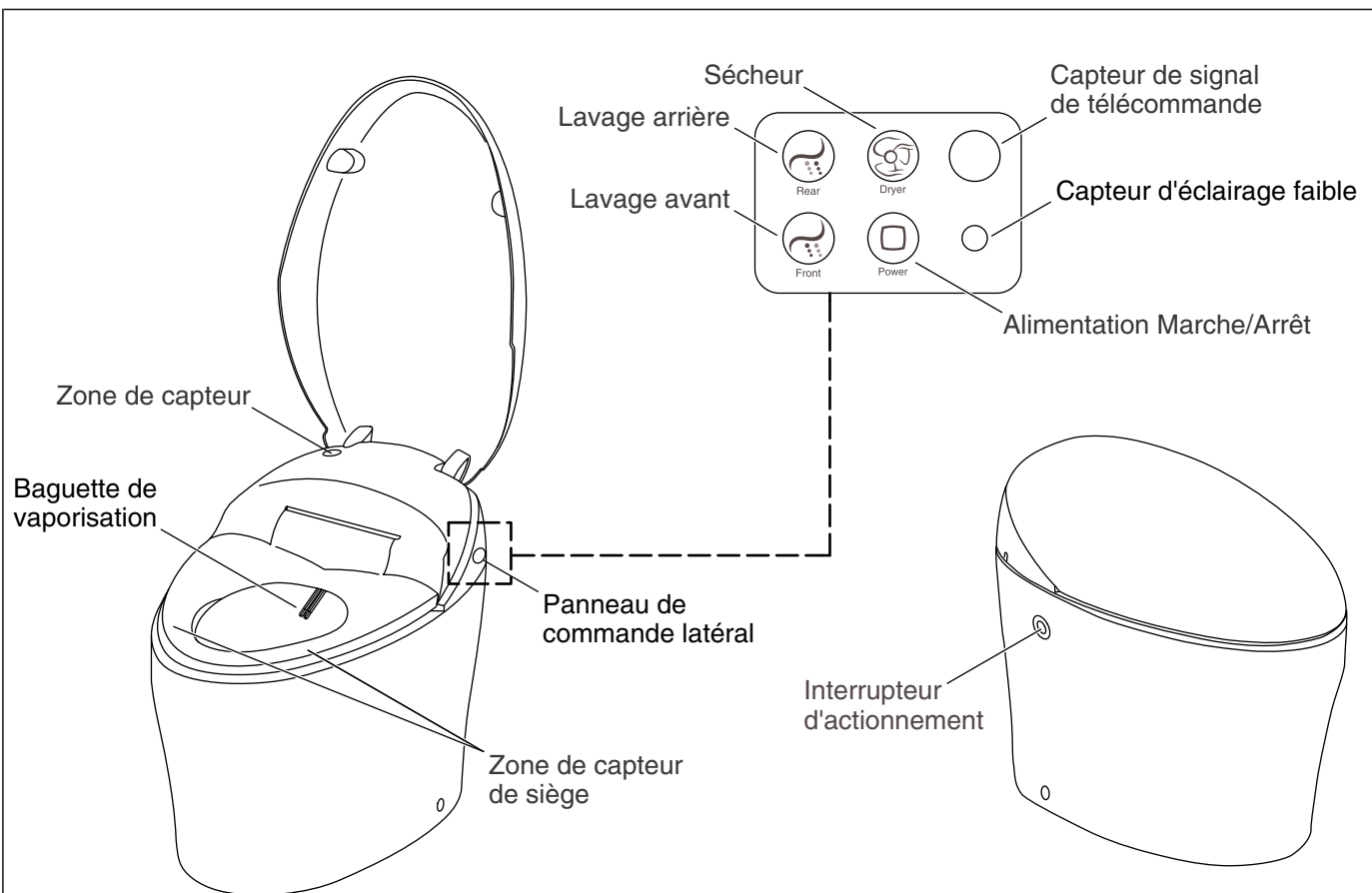
- Ce produit doit être mis à la terre. En cas de court-circuit électrique, la mise à la terre réduit le risque de choc électrique en fournissant un câble d'échappement pour le courant électrique. Ce produit est équipé d'un cordon muni d'un câble de mise à la terre avec une fiche de mise à la terre. Cette fiche doit être branchée dans une prise installée et mise à la terre de manière adéquate.

MESURES DE SÉCURITÉ IMPORTANTES (cont.)



DANGER: Risque de choc électrique. L'utilisation incorrecte de la fiche de mise à la terre peut résulter en risque de choc électrique.

- S'il est nécessaire de remplacer le cordon ou la fiche, ne pas brancher le câble de mise à la terre à l'une des bornes à lame plate. Le câble avec isolation dont l'extérieur est vert avec ou sans rayures jaunes est le câble de mise à la terre.
- Vérifier auprès d'un électricien qualifié ou d'un dépanneur si les instructions de mise à la terre ne sont pas bien comprises ou en cas de doute sur la mise à la terre adéquate du produit.
- Ne pas utiliser de cordon de rallonge avec ce produit.



Caractéristiques - Toilette

REMARQUE: De nombreuses caractéristiques peuvent être ajustées, activées ou désactivées en utilisant la télécommande. Les directives spécifiques pour ces procédures sont fournies plus loin dans ce manuel.

Caractéristiques générales

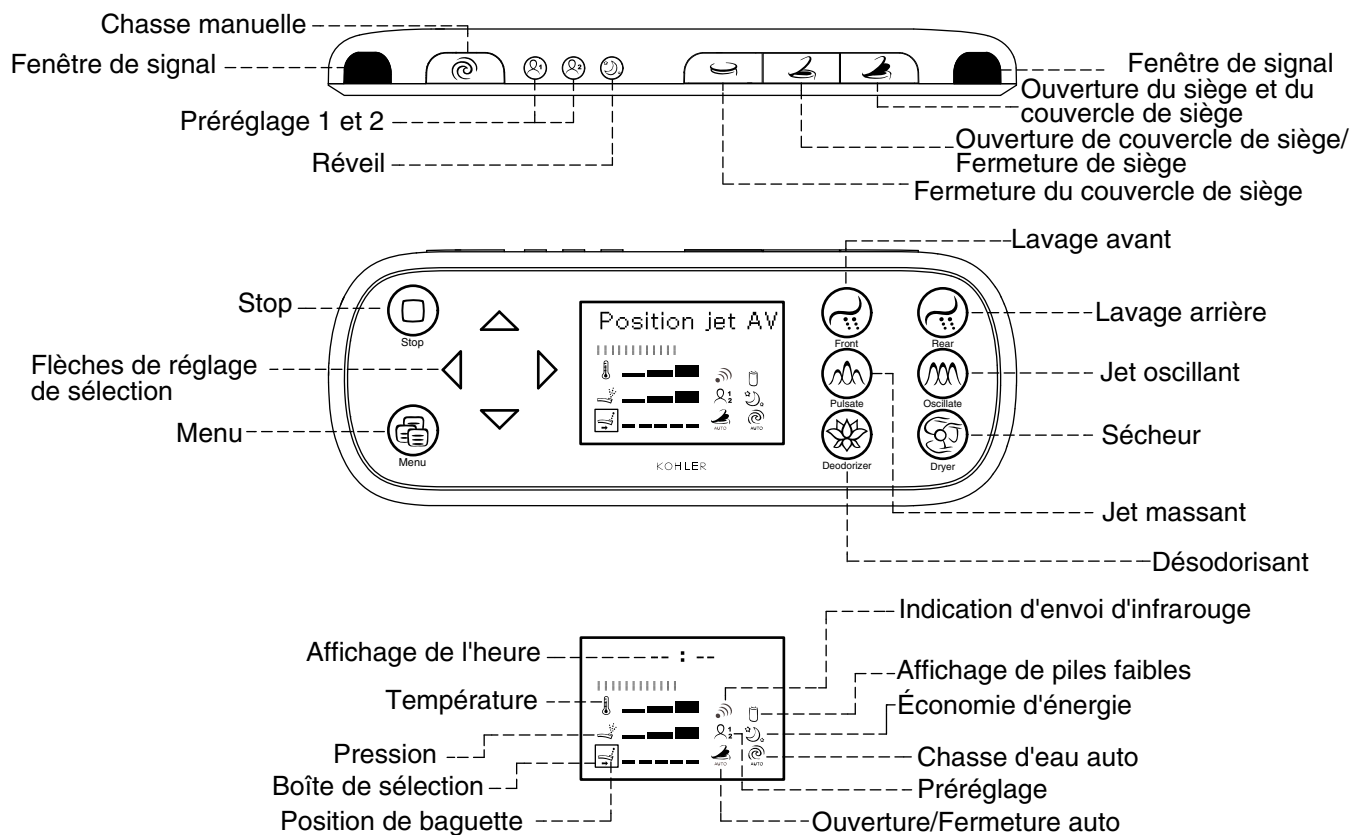
- **Chasse automatique** - Passe la chasse dans la toilette lorsque l'utilisateur se lève, abaisse le siège, ou quitte la zone 60 secondes après utilisation.
- **Ouverture/Fermeture automatique** - Ouvre automatiquement le couvercle du siège lorsque l'on s'approche de la toilette. Le couvercle et le siège se ferment automatiquement lorsqu'on s'approche s'ils sont ouverts. Le siège et le couvercle de siège se ferment automatiquement 3 minutes après utilisation de la toilette.
- **Mode d'économie d'énergie** - La toilette peut être programmée pour conserver de l'énergie. Lorsque cette fonction est activée, la toilette entre et sort d'un mode de conservation d'énergie aux moments programmés. La toilette est fournie avec cette fonction activée, réglée sur 6 heures.
- **Désodorisant** - Élimine ou réduit les odeurs désagréables lorsque la toilette est en cours d'utilisation.
- **Commandes latérales** - Permettent à l'utilisateur de commander les fonctions de base de la toilette sans la télécommande.
- **Siège chauffé** - Une option de chauffage réglable qui garde le siège chaud.
- **Veilleuse** - S'allume automatiquement dans des conditions d'éclairage faible.

Fonctions de nettoyage

- **Lavage avant/arrière** - Le lavage avant et arrière comprend des fonctions de positionnement réglable, de température d'eau réglable, de pression d'eau réglable, et d'action de pulsation et d'oscillation de l'eau.

Caractéristiques - Toilette (cont.)

- **Séchoir** - Le séchoir comprend une fonction de température d'air réglable.



Fonctionnalités - Télécommande

Dessus de la télécommande

- **Chasse manuelle** - Appuyer pour passer la chasse.
- **Préréglages 1 et 2** - Cette fonction permet d'enregistrer deux ensembles de réglages d'utilisateurs. Sélectionner l'un de ces boutons pour utiliser les réglages enregistrés avec ce préréglage.
- **Réveil** - Appuyer pour activer la télécommande lorsqu'elle est mise en veille prolongée.
- **Fermeture du couvercle de siège** - Appuyer pour fermer le couvercl.
- **Ouverture de couvercle de siège/Fermeture de siège** - Appuyer pour ouvrir le couvercle de siège ou pour fermer le siège.
- **Ouverture de siège et de couvercle de siège** - Appuyer pour ouvrir le couvercle de siège et le siège.
- **Fenêtre de signal** - Un signal émane de cette zone. La fenêtre de signal ne doit pas être recouverte lorsque la télécommande est utilisée.

Avant de la télécommande

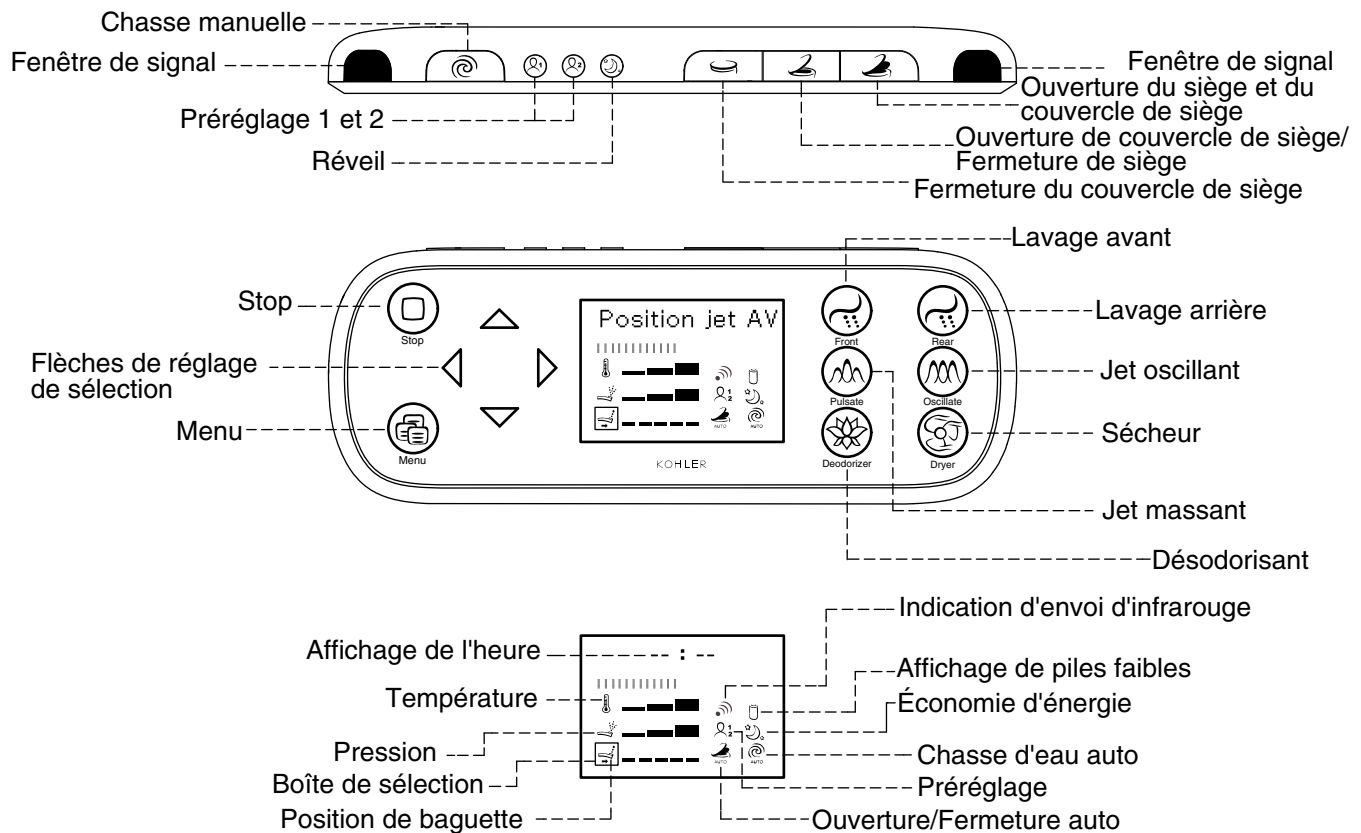
- **Stop** - Appuyer pour arrêter le lavage et nettoyage, et le désodorisant.
- **Flèches de réglage de sélection** - Appuyer pour changer les sélections indiquées dans la fenêtre d'affichage, régler les configurations ou modifier les options sur les fonctions.
- **Menu** - Appuyer pour activer ou désactiver les fonctions, programmer les fonctions, et programmer l'horloge.
- **Avant** - Appuyer pour activer la fonction de lavage avant.
- **Arrière** - Appuyer pour activer la fonction de lavage arrière.

Fonctionnalités - Télécommande (cont.)

- **Jet massant** - Appuyer pour activer l'action de pulsation de la baguette de nettoyage. La pression de l'eau varie pendant que l'action de pulsation est activée.
- **Jet oscillant** - Appuyer pour activer ou désactiver l'action d'oscillation de la baguette de nettoyage. La baguette entre et sort en glissant lorsque la fonction d'oscillation est activée.
- **Désodorisant** - Appuyer pour activer ou désactiver la fonction de désodorisant. Lorsqu'elle est activée, le ventilateur du désodorisant se met en marche.
- **Séchoir** - Appuyer pour activer le séchoir.

Écran d'affichage sur la télécommande

- **Affichage de l'heure ou des fonctions** - Cette zone affiche l'heure lorsque la télécommande n'est pas utilisée. La fonction activée est affichée lorsque la télécommande est utilisée. Lorsque l'option de menu est sélectionnée, les fonctions sont affichées ici.
- **Température** - Sélectionner cette icône pour ajuster la température de l'eau ou la température de l'air lorsque les fonctions de nettoyage sont utilisées. Appuyer sur la flèche vers la gauche pour réduire la température ou sur la flèche vers la droite pour augmenter la température.
- **Pression** - Sélectionner cette icône pour régler la pression de l'eau lorsque le lavage avant ou arrière est activé.
- **Boîte de sélection** - Apparaît autour d'une fonction qui est sélectionnée. Cette fonction peut être réglée en utilisant les flèches vers la droite ou vers la gauche. Déplacer la boîte sur une autre option en utilisant les flèches vers le haut ou vers le bas.
- **Position de la baguette** - Sélectionner cette icône pour régler la position de la baguette. Appuyer sur la flèche vers la gauche pour déplacer la baguette vers l'arrière ou appuyer sur la flèche vers la droite pour déplacer la baguette vers l'avant.
- **Indication d'envoi infrarouge** - La télécommande est connectée à la toilette lorsque cette icône est présente.
- **Indicateur de piles faibles** - Les piles doivent être remplacées lorsque cette icône est présente.
- **Économie d'énergie** - La télécommande n'est pas activée lorsque cette icône est présente.
- **Chasse automatique** - La fonction de chasse automatique est activée lorsque cette icône est présente.
- **Préréglage** - L'un des préréglages d'utilisateur est sélectionné lorsque cette icône est présente.
- **Ouverture/Fermeture automatique** - Lorsque cette icône est illustrée, la fonction d'ouverture/de fermeture automatique est activée. La fonction est désactivée si cette icône n'est pas présente.



Configuration ou changements de fonctions

Horloge

- Appuyer sur le bouton [Réveil].
- Appuyer sur l'icône "Menu" et appuyer sur la flèche vers le haut ou vers le bas jusqu'à ce que l'écran affiche [Régl. Horloge].
- Appuyer sur la flèche vers la droite. Sélectionner [12H] ou [24H] pour le style d'affichage en utilisant les flèches vers le haut ou vers le bas.
- Appuyer sur la flèche vers la droite et régler l'heure en utilisant les flèches vers le haut et vers le bas. Les heures changent également la configuration [am] ou [pm].
- Appuyer sur la flèche vers la droite et régler les minutes en utilisant les flèches vers le haut ou vers le bas.
- Appuyer sur l'icône "Menu" pour enregistrer la configuration.

Chasse automatique

- Appuyer sur le bouton [Réveil].
- Appuyer sur l'icône "Menu" et appuyer sur la flèche vers le haut ou vers le bas jusqu'à ce que [Chasse auto] s'affiche.
- Appuyer sur la flèche vers la droite et changer la configuration à [Chasse auto:O] ou [Chasse auto:N] en utilisant les flèches vers le haut ou vers le bas.
- Appuyer sur l'icône "Menu" pour enregistrer la configuration.

Économie d'énergie

Configuration ou changements de fonctions (cont.)

REMARQUE: Le mode d'économie d'énergie désactive le siège chauffé. Lorsque la toilette est en mode d'économie d'énergie, le voyant de la fenêtre de détection s'allume en rouge.

- Appuyer sur le bouton [**Réveil**].
- Appuyer sur l'icône "**Menu**" et appuyer sur la flèche vers le haut ou vers le bas jusqu'à ce que l'écran affiche [**Econ. Energie**].
- Appuyer sur la flèche vers la droite et changer la configuration à [**Veille: Jamais**], [**Veille: Ap. 3H**], [**Veille: Ap. 6H**], ou [**Veille: Ap. 9H**].
- Appuyer sur l'icône "**Menu**" pour enregistrer la configuration.

Température de siège

- Appuyer sur le bouton [**Réveil**].
- Appuyer sur l'icône "**Menu**" et appuyer sur la flèche vers le haut ou vers le bas jusqu'à ce que l'écran affiche [**Temp. Siège**].
- Sélectionner la flèche vers la droite, puis utiliser la flèche vers le haut ou vers le bas jusqu'à ce que la configuration souhaitée soit affichée.
- Appuyer sur l'icône "**Menu**" pour enregistrer la configuration.

Langue

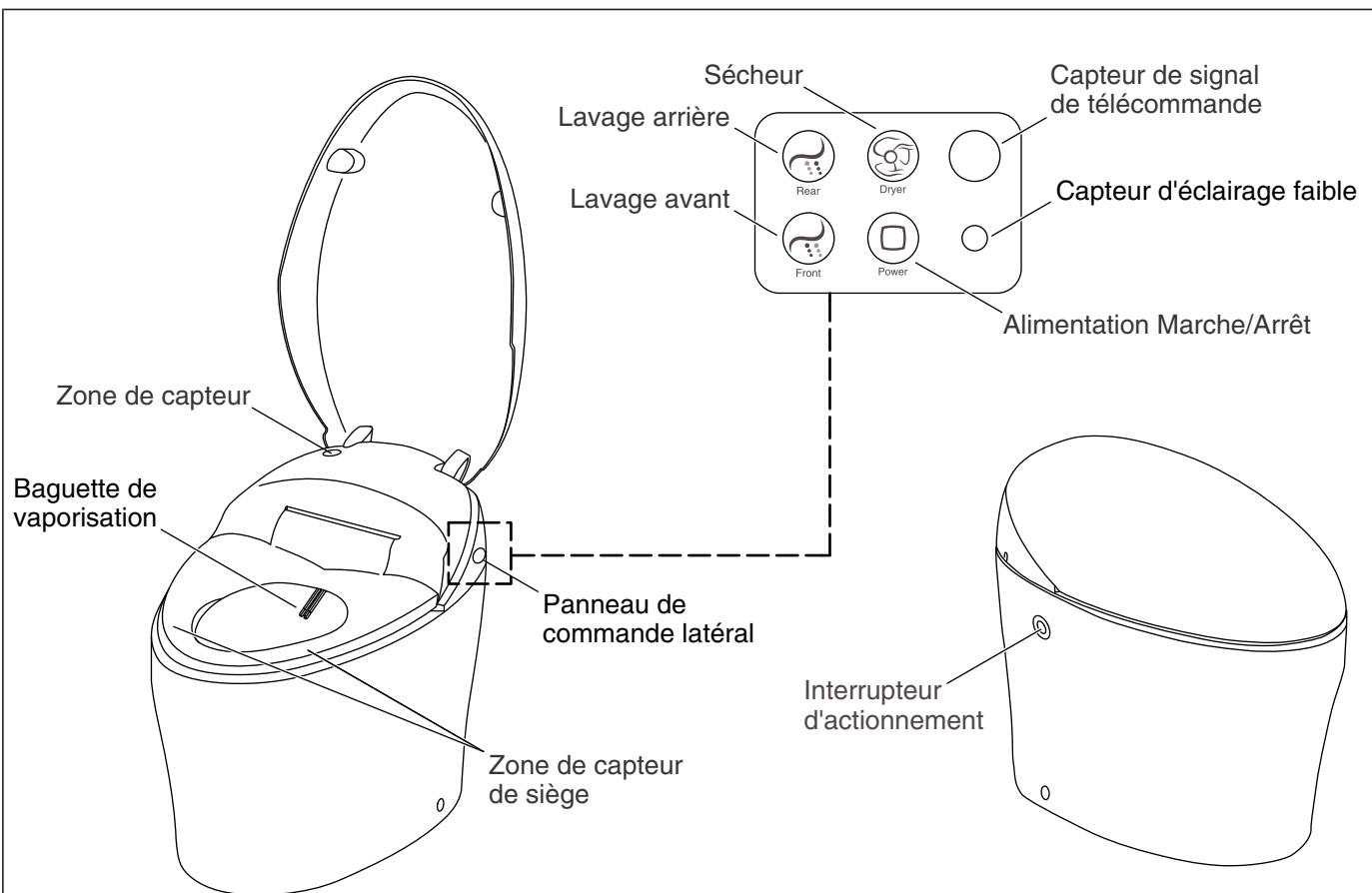
- Appuyer sur le bouton [**Réveil**].
- Appuyer sur l'icône "**Menu**"
- Appuyer sur la flèche vers le haut ou vers le bas jusqu'à obtenir la sélection [**Language**].
- Sélectionner la flèche vers la droite, puis sélectionner la flèche vers le haut ou vers le bas jusqu'à ce que la configuration de langue souhaitée soit affichée.
- Appuyer sur l'icône "**Menu**" pour enregistrer la configuration.

Veilleuse

- Appuyer sur le bouton [**Réveil**].
- Appuyer sur l'icône "**Menu**" et appuyer sur la flèche vers le haut ou vers le bas jusqu'à ce que l'écran affiche [**Éclair. Nuit**].
- Sélectionner la flèche vers la droite, puis utiliser la flèche vers le haut ou vers le bas pour changer la configuration à [**Eclairage: Oui**] ou [**Eclairage: Non**].
- Appuyer sur l'icône "**Menu**" pour enregistrer la configuration.

Ouverture/Fermeture automatique de siège

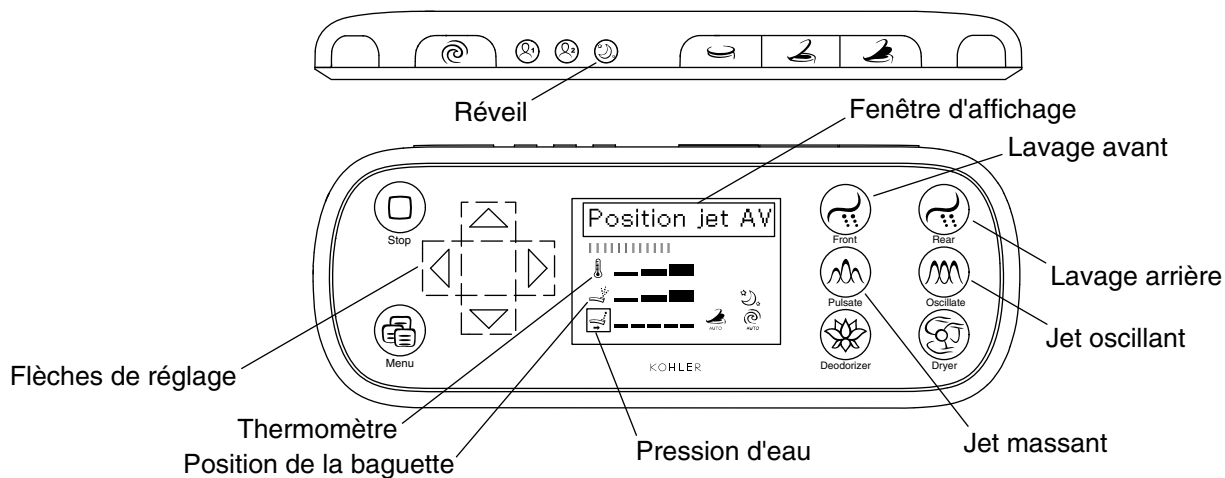
- Appuyer sur le bouton [**Réveil**].
- Appuyer sur l'icône "**Menu**" et appuyer sur la flèche vers le haut ou vers le bas jusqu'à ce que l'écran affiche [**Ouvert. Auto.**].
- Sélectionner la flèche vers la droite, puis utiliser la flèche vers le haut ou vers le bas pour changer la configuration à [**Ouvert.auto: O**] ou [**Ouvert.auto:N**].
- Appuyer sur l'icône "**Menu**" pour enregistrer la configuration.



Fonctionnement manuel

REMARQUE: Lorsque les fonctions de lavage et nettoyage sont activées à partir du panneau de commande latéral, elles se mettent par défaut aux réglages moyens de température, de pression et de position de la baguette.

- **"Rear" (arrière)** - Appuyer sur l'icône pour activer le lavage arrière. Appuyer de nouveau pour arrêter le lavage arrière.
- **"Front" (avant)** - Appuyer sur l'icône pour activer le lavage avant. Appuyer de nouveau pour arrêter le lavage avant.
- **"Dryer" (séchoir)** - Appuyer sur l'icône pour activer le séchoir. Appuyer de nouveau pour arrêter le séchoir.
- **"Power" (marche/arrêt)** - Appuyer sur l'icône pour couper l'alimentation électrique.
- **Capteur de signal de télécommande** - Reçoit le signal de la télécommande.
- **Capteur d'éclairage faible** - Détecte les niveaux d'éclairage faible et allume la veilleuse lorsque la fonction automatique est activée. Pour activer ou désactiver la veilleuse, se référer à la section "Activer/Désactiver les fonctions automatiques".
- **Chasse** - Appuyer sur le bouton de déclenchement pour rincer la toilette manuellement. Pour passer la chasse pendant une panne de courant, verser un seau de 2 gallons d'eau dans la cuvette.



Utilisation des fonctions de nettoyage

REMARQUE: La fonction de nettoyage s'arrête automatiquement après 5 minutes.

REMARQUE: Les fonctions de nettoyage peuvent également être activées en utilisant les commandes latérales situées sur la toilette.

REMARQUE: La température de l'eau, la pression de l'eau, la position de la baguette, et l'action de massage sont réglables pendant que le lavage avant ou arrière est en cours d'utilisation.

Utilisation du lavage et nettoyage avant

- Appuyer sur le bouton [Réveil].
- Appuyer sur l'icône "Front" (avant).
- Appuyer sur l'icône "Stop" (arrêt) pour arrêter.

Utilisation du lavage et nettoyage arrière

- Appuyer sur le bouton [Réveil].
- Appuyer sur l'icône "Rear" (arrière).

Réglage de la température de l'eau

REMARQUE: Le niveau de la température est indiqué à côté du thermomètre dans l'affichage.

- S'assurer que l'icône du thermomètre est indiquée et que [Temp. Jet AV] apparaît dans la fenêtre.
- Si nécessaire, sélectionner l'icône de thermomètre en utilisant les flèches vers le haut et vers le bas.
- Appuyer sur la flèche vers la droite pour augmenter la température de l'eau ou sur la flèche vers la gauche pour réduire la température de l'eau. Trois configurations sont disponibles.

Réglage de la pression de l'eau

- S'assurer que l'icône de pression d'eau est indiquée et que [Pression Jet AV] apparaît dans la fenêtre.
- Si nécessaire, sélectionner l'icône de thermomètre en utilisant les flèches vers le haut et vers le bas.
- Appuyer sur la flèche vers la droite pour augmenter la pression de l'eau ou sur la flèche vers la gauche pour réduire la pression de l'eau. Trois configurations sont disponibles.

Réglage de la position de la baguette

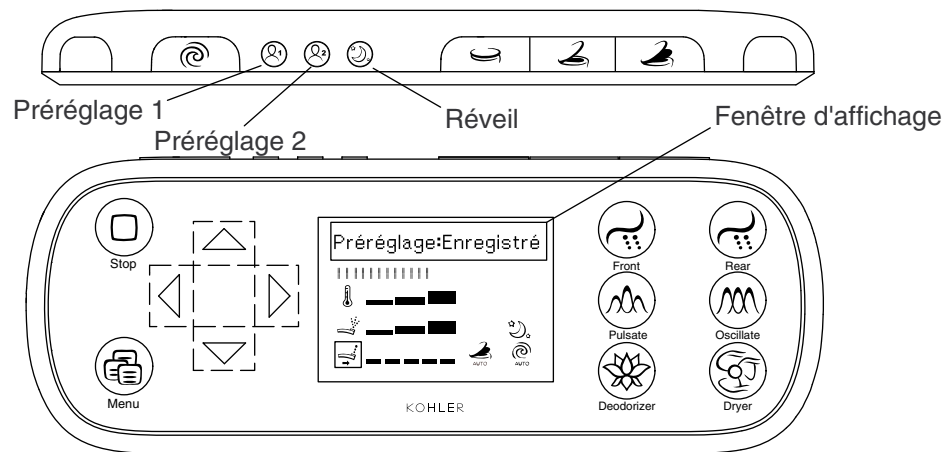
- S'assurer que l'icône de baguette est indiquée et que [Position Jet AV] apparaît dans la fenêtre.

Utilisation des fonctions de nettoyage (cont.)

- Si nécessaire, sélectionner l'icône de position de la baguette en utilisant les flèches vers le haut et vers le bas.
- Appuyer sur la flèche vers la droite pour augmenter la température de l'eau ou sur la flèche vers la gauche pour réduire la température de l'eau. Trois configurations sont disponibles.

Oscillation et pulsation

- Sélectionner les icônes "**Pulsate**" (**Jet massant**) ou "**Oscillate**" (**Jet oscillant**).
- Si nécessaire, sélectionner l'icône de thermomètre en utilisant les flèches vers le haut et vers le bas.
- Appuyer sur la flèche vers la droite pour augmenter la température de l'eau ou sur la flèche vers la gauche pour réduire la température de l'eau. Trois configurations sont disponibles.



Création d'un profil d'utilisateur

Définir chaque fonction à la configuration souhaitée. Les fonctions à configurer incluent les options suivantes:

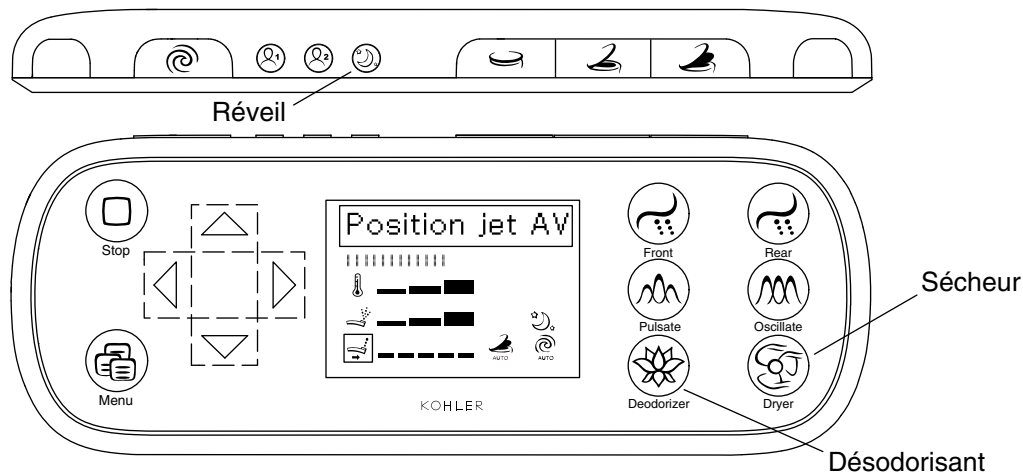
- Lavage avant ou arrière, pression de l'eau, température de l'eau, position de la baguette, pulsation et oscillation.
- Température de l'air du séchoir.
- Température du siège.

Lorsque les configurations souhaitées sont obtenues:

- Appuyer sur le bouton **[Preset 1] (Préréglage 1)** ou **[Preset 2] (Préréglage 2)** et continuer à appuyer pendant plus de 2 secondes.
- Confirmer que **[Preset:Saved] (Préréglage:Enregistré)** apparaît dans la fenêtre d'affichage.

Utilisation des préréglages

- Lorsque l'on s'assied pour utiliser la toilette, appuyer sur le bouton **[Réveil]**.
- Appuyer sur le bouton **[Preset 1] (Préréglage 1)** ou **[Preset 2] (Préréglage 2)**. Les configurations pour le préréglage choisi seront appliquées.



Utilisation du séchoir et du désodorisant

Utilisation du séchoir

- Appuyer sur le bouton [Réveil].
- Appuyer sur l'icône "Dryer" (séchoir).
- Pour régler la température de l'air, appuyer sur la flèche vers la droite pour augmenter la température de l'air ou sur la flèche vers la gauche pour réduire la température de l'air.

Utilisation du désodorisant

- Appuyer sur le bouton [Réveil].
- Appuyer sur l'icône "Deodorizer" (Désodorisant).

Entretien et nettoyage



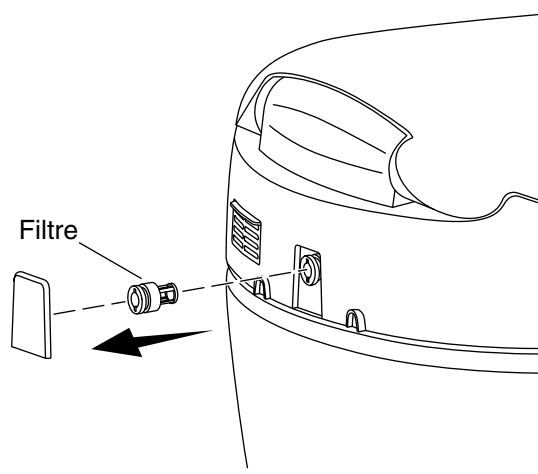
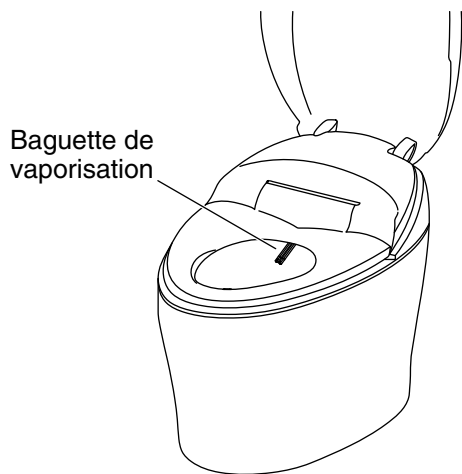
AVERTISSEMENT: Risque de dommages matériel ou d'endommagement du produit. Ne pas utiliser de détergents faits pour le réservoir dans la toilette. Les produits contenant du chlore (hypochlorite de calcium) peuvent sérieusement endommager les raccords du réservoir. Ceci peut créer des fuites et des dommages matériels.

La société Kohler Co. décline toute responsabilité et ne pourra être responsable pour des dommages de raccords de réservoir dus à l'utilisation de nettoyants contenant du chlore (hypochlorite de calcium).

Pour obtenir les meilleurs résultats possibles, prendre ce qui suit en considération lors de l'entretien de votre produit KOHLER:

- Toujours tester la solution de nettoyage sur une surface non visible avant de l'appliquer sur l'ensemble de la surface.
- Essuyer les surfaces et rincer complètement avec de l'eau immédiatement après l'application du nettoyant. Rincer et sécher tout éclaboussement sur les surfaces avoisinantes.
- Ne pas laisser les nettoyants tremper sur les surfaces.
- Utiliser une éponge ou un chiffon doux et humide. Ne jamais utiliser de matériau abrasif tel qu'une brosse ou une éponge à récurer pour nettoyer les surfaces.
- **Pour la toilette Artist Edition:** Traiter le produit décoratif comme s'il s'agissait d'une porcelaine fine. NE PAS utiliser de brosses en soies ni d'éponges abrasives. Cela rayerait les surfaces décoratives. Utiliser uniquement de l'eau chaude pour le nettoyage. Sécher avec un chiffon en coton ou une éponge douce.

Pour obtenir des renseignements détaillés sur le nettoyage et les produits à considérer, consulter le site kohler.com/clean. Pour commander des renseignements sur le nettoyage, appeler le 1-800-456-4537.



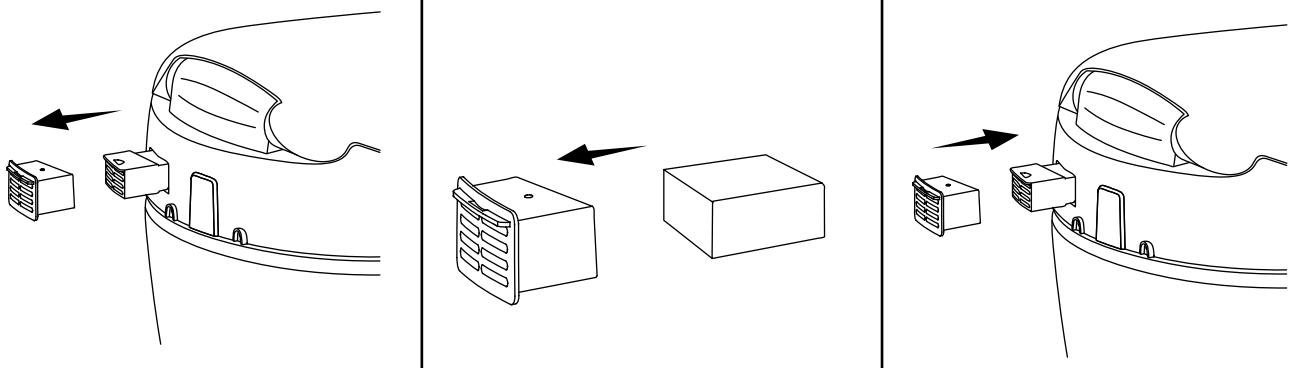
Entretien de la baguette et du filtre

Nettoyage de la baguette de vaporisation

- Sur le panneau de commande latéral, appuyer et continuer à appuyer sur le bouton "FRONT" (avant) ou "REAR" (arrière) pour prolonger la baguette vers l'avant.
- Nettoyer la baguette de vaporisation avec une brosse à poils doux et de l'eau chaude.
- La baguette se rétracte automatiquement au bout de 2 minutes. Appuyer sur l'icône de lavage "FRONT" (avant) ou "REAR" (arrière) pour rétracter si nécessaire.

Nettoyage ou remplacement du filtre

- Déconnecter l'alimentation électrique de la toilette.
- Couper l'alimentation en eau au niveau du robinet d'arrêt d'alimentation en eau.
- Retirer le couvercle du filtre.
- Si le filtre est endommagé, le remplacer.
- Si le filtre est obstrué, retirer tous les débris.
- Installer le filtre.
- Réinstaller le couvercle.
- Ouvrir le robinet d'arrêt d'alimentation.
- Reconnecter l'alimentation électrique à la toilette.



Entretien du désodorisant

REMARQUE: Le désodorisant doit être remplacé tous les deux ans ou lorsque sa performance diminue.

- Retirer l'ensemble de la cartouche de désodorisant en la saisissant doucement pour la faire sortir.
- Retirer le filtre de son logement en le poussant à travers le côté arrière du côté ventilé.
- Insérer le filtre de rechange dans le logement.
- Réinstaller l'ensemble de cartouche du désodorisant.

Dépannage

REMARQUE: Pour tout renseignement sur les pièces de rechange, visiter la page du produit sur le site kohler.com/serviceparts.

Petits enfants

- Les fonctions de chasse et de nettoyage automatiques sont activées par un capteur situé sous le siège. Les petits enfants pourraient ne pas être assez grands pour être détectés par le capteur.

Généralités

Symptômes	Causes probables	Action recommandée
1. La toilette n'a pas d'alimentation électrique.	A. L'alimentation n'est pas en marche.	A. Appuyer sur l'icône "Power" (marche/arrêt) sur le panneau de commande latéral.
	B. Le cordon d'alimentation n'est pas connecté.	B. Connecter le cordon d'alimentation.
	C. Le dispositif GFCI ou RCD se déclenche.	C. Réinitialiser le dispositif GFCI ou RCD (le cas échéant).
2. La chasse ne fonctionne pas mais la toilette a une alimentation électrique.	A. Il n'y a pas de débit d'eau vers la toilette.	A1. Ouvrir entièrement le robinet d'arrêt d'arrivée d'eau.
	B. La connexion de la pompe n'a pas été effectuée correctement.	A2. Le capteur de trop-plein ne fonctionne pas correctement.
	C. L'interrupteur de niveau n'est pas connecté correctement.	B. Inspecter la connexion de la pompe. Reconnecter correctement.
	D. L'ensemble d'actionnement ne fonctionne pas.	C. Inspecter la connexion de l'interrupteur de niveau.
3. La toilette est alimentée, mais elle ne répond pas.	D. Remplacer l'ensemble d'actionnement.	D. Remplacer l'ensemble d'actionnement.
	A. L'interrupteur d'actionnement n'est pas connecté correctement.	A. Inspecter la connexion de l'interrupteur d'actionnement.

Dépannage (cont.)		
Généralités		
Symptômes	Causes probables	Action recommandée
	B. Alors que la toilette se met hors tension, avant l'arrêt du son de l'invite, l'alimentation a été remise en marche.	B. Après avoir coupé l'alimentation, attendre que le son de l'invite se soit arrêté avant de remettre en marche.
4. L'eau ne sort pas de la baguette de nettoyage ou le jet est faible lorsqu'il est activé.	A. Le robinet d'arrêt d'arrivée d'eau est fermé ou est seulement ouvert partiellement.	A. Ouvrir entièrement le robinet d'arrêt d'arrivée d'eau.
	B. Le tuyau d'arrivée en provenance du robinet d'arrêt d'arrivée vers la toilette est déformé ou enroulé de manière trop serrée.	B. Supprimer la déformation dans le tuyau ou agrandir la boucle.
	C. Le capteur de siège ne détecte pas l'utilisateur.	C. Les petits enfants pourraient ne pas être détectés. Régler la position assise. Le capteur pourrait avoir du mal avec le tissu ou d'autres objets. Le capteur est conçu pour détecter la peau.
	D. L'écran d'arrivée d'eau est bloqué ou endommagé.	D. Entretenir le filtre en suivant les instructions du guide du propriétaire.
5. Le siège chauffé n'est pas chaud du tout, ou il n'est pas aussi chaud que souhaité.	A. La fonction de siège chauffé n'est pas activée.	A. Activer la fonction de siège chauffé en utilisant la télécommande.
	B. Le réglage de la température est trop bas.	B. Régler la température du siège chauffé en utilisant la télécommande.
6. L'eau s'arrête de s'écouler de la baguette de vaporisation avant que le nettoyage ne soit terminé.	A. Le nettoyage s'arrête automatiquement cinq minutes après que l'on ait appuyé sur l'une des icônes de vaporisation.	A. Appuyer de nouveau sur l'icône "Rear" (arrière) ou "Front" (avant).
7. La fonction de désodorisant ne fonctionne pas.	A. Le désodorisant n'est pas activé.	A. Activer la fonction de désodorisant en utilisant la télécommande.
8. La toilette ne se rince pas automatiquement.	A. La fonction de chasse automatique n'est pas activée.	A1. Activer la fonction de chasse automatique en utilisant la télécommande.
		A2. Le capteur ne détecte pas l'utilisateur. Si ce problème se reproduit de manière répétitive, appeler le centre de services à la clientèle en utilisant l'information fournie sur la page arrière de ce manuel.
9. La veilleuse ne s'allume pas dans des conditions d'éclairage bas.	A. La veilleuse n'est pas activée.	A. Activer la fonction de veilleuse en utilisant la télécommande.
	B. Le capteur d'éclairage faible ne fonctionne pas correctement.	B1. Nettoyer le capteur d'éclairage situé sur le panneau de commande latéral.
		B2. Appeler le Service après-vente en se reportant aux informations figurant au dos de ce manuel.

Dépannage (cont.)

Télécommande

Symptômes	Causes probables	Action recommandée
1. La télécommande ne se met pas en marche.	A. Les piles ne sont pas installées correctement.	A. Retirer et réinstaller les piles.
	B. Les piles sont épuisées.	B. Remplacer les piles. B2. Appeler le Service après-vente en se reportant aux informations figurant au dos de ce manuel.
2. La télécommande ne se connecte pas à la toilette.	A. Les fenêtres de signal situées sur la télécommande sont bloquées ou sales.	A. S'assurer que les mains ne recouvrent pas les deux fenêtres noires se trouvant sur les bords supérieurs de la télécommande. Nettoyer les fenêtres si elles sont sales.
	B. Le capteur de signal de la télécommande sur la toilette ne reçoit pas le signal.	B1. S'assurer que le capteur de signal de la télécommande est propre et qu'aucune obstruction n'est à proximité. B2. Appeler le Service après-vente en se reportant aux informations figurant au dos de ce manuel.
3. Impossible de lire le texte affiché sur la fenêtre de la télécommande.	A. La langue de l'affichage est incorrecte.	A. Changer la langue sur la télécommande en suivant les instructions fournies.
		A2. Appeler le Service après-vente en se reportant aux informations figurant au dos de ce manuel.

Conformité de la télécommande

ID FCC: N82-KOHLER014

Cet appareil est conforme à la section 15 des réglementations de la FCC. Le fonctionnement de l'appareil est soumis aux deux conditions suivantes:

1. Cet appareil ne doit pas provoquer d'interférences néfastes, et
2. Cet appareil doit tolérer les interférences reçues, y compris celles qui risquent de provoquer un fonctionnement indésirable.

Tous changements ou modifications non expressément approuvés par la partie responsable garantissant la conformité, pourraient annuler le droit à l'utilisateur d'opérer l'équipement.

Cet appareil a été testé et est considéré conforme aux limitations d'un appareil numérique de classe B, selon la section 15 des réglementations FCC. Ces limites sont conçues pour fournir une protection raisonnable contre toute interférence nuisible lors d'une installation résidentielle. Cet appareil génère, utilise et peut émettre une énergie de radiofréquence et, s'il n'est pas installé et utilisé conformément aux instructions, pourrait être la cause d'interférences nuisibles aux communications par radio. Cependant, il n'est pas garanti qu'aucune interférence n'aura lieu dans une installation particulière. Si cet équipement cause des interférences radio nuisibles à la réception de radio ou de télévision, ce qui peut être déterminé en éteignant l'équipement et en le rallumant, l'utilisateur est encouragé à essayer de rectifier cette interférence par l'un des moyens suivants:

- Réorienter ou changer l'emplacement de l'antenne de réception.
- Augmenter la séparation entre l'équipement et le récepteur.
- Brancher l'équipement sur une prise d'un circuit différent de celui auquel le récepteur est connecté.
- Consulter un revendeur ou un technicien radio/TV expérimenté pour obtenir de l'assistance.

Avertissement d'exposition RF

Conformité de la télécommande (cont.)

Cet émetteur et son antenne sont conformes aux limites d'exposition RF de la FCC pour le public général/l'exposition non contrôlée.

Cet appareil ne doit pas être co-localisé ou opéré avec toute autre antenne ou tout autre émetteur.

Ce dispositif doit être utilisé avec une distance minimum de 20 cm au moins entre l'antenne et le corps d'une personne.

CANADA IC: 4554A-KOHLER014

Le présent appareil est conforme aux CNR d'Industrie Canada applicables aux appareils radio exempts de licence.

Le fonctionnement de l'appareil est soumis aux deux conditions suivantes:

1. L'appareil ne doit pas produire de brouillage, et
2. Cet appareil doit tolérer les interférences reçues, y compris celles qui risquent de provoquer un fonctionnement indésirable.

Cet émetteur et son antenne sont conformes aux limites d'exposition RF d'Industrie Canada pour le public général/l'exposition non contrôlée.

Cet appareillage numérique de classe B est conforme à la norme canadienne NMB-003.

Garantie

Garantie limitée de trois ans de la toilette intelligente et du siège nettoyant C3 de KOHLER

Kohler Co. garantit ses toilettes dotées de la fonctionnalité de nettoyage intégrée ("Toilettes intelligentes") et les sièges nettoyants électriques contre tout vice de matériau et de fabrication lors d'une utilisation domestique normale, pendant trois ans à partir de la date d'installation du produit. La présente garantie s'applique uniquement aux toilettes intelligentes et aux sièges nettoyants électriques installés aux États-Unis d'Amérique, au Canada et au Mexique ("Amérique du Nord").

En cas de défectuosité lors d'une utilisation domestique normale, Kohler Co. choisira, à son gré, la réparation, le remplacement de la pièce ou du produit, ou la rectification appropriée, dans les cas où l'inspection de Kohler révélerait une telle défectuosité. Aucun dommage causé par un accident, une mauvaise utilisation ou un mauvais traitement n'est couvert par la présente garantie. Un entretien et un nettoyage inadéquats annulent la garantie*. Une preuve d'achat (ticket de caisse d'origine) doit être présentée à Kohler Co. avec toutes les réclamations au titre de la garantie. Kohler Co. n'est pas responsable des frais de main-d'œuvre, d'installation ou de tout autre frais particulier accessoire ou indirect que ceux susmentionnés. La responsabilité de Kohler Co. ne dépassera en aucun cas le prix d'achat de la toilette intelligente ou du siège nettoyant électrique.

Si les toilettes intelligentes ou les sièges nettoyants électriques sont utilisés dans un commerce ou si ces articles sont installés hors de l'Amérique du Nord, Kohler Co. garantit la toilette intelligente ou le siège nettoyant électrique contre tout vice de matériau et de fabrication pendant un (1) an à partir de la date d'installation dudit produit, et toutes les autres modalités de la présente garantie s'appliquent à l'exception de sa durée.

Pour toute réclamation au titre de la présente garantie, contacter le vendeur, plombier, centre de rénovation ou revendeur par internet. Fournir tous les renseignements pertinents à la réclamation, dont notamment une description complète du problème et du produit, le numéro de modèle, la date et le lieu d'achat du produit, ainsi que la date de son installation. Joindre également l'original de la facture. Pour de plus amples renseignements ou pour obtenir les coordonnées du service de réparation le plus proche, écrire à Kohler Co., Attn: Customer Care Center, Kohler, Wisconsin 53044, USA, ou appeler le 1-800-4-KOHLER (1-800-456-4537) à partir des É.-U. et du Canada, et le 001-800-456-4537 à partir du Mexique, ou consulter le site www.kohler.com aux É.-U., www.ca.kohler.com à partir du Canada, ou www.mx.kohler.com au Mexique.

LES GARANTIES SUSMENTIONNÉES SONT FOURNIES AU LIEU ET PLACE DE TOUTES AUTRES

Garantie (cont.)

GARANTIES, EXPRESSES OU TACITES, Y COMPRIS LES GARANTIES TACITES DE COMMERCIALITÉ ET D'ADAPTATION À UN USAGE PARTICULIER. KOHLER CO. ET/OU LE REVENDEUR DÉCLINENT TOUTE RESPONSABILITÉ CONTRE LES DOMMAGES PARTICULIERS, ACCESSOIRES OU INDIRECTS.

Certains états et provinces ne permettent pas de limite sur la durée de la garantie tacite, ni l'exclusion ou la limite de tels dommages, et, par conséquent, lesdites limites et exclusions peuvent ne pas s'appliquer à votre cas. La présente garantie accorde au consommateur des droits juridiques particuliers. Vous pouvez également avoir d'autres droits qui varient d'un état ou d'une province à l'autre. La présente garantie est accordée uniquement à l'acquéreur d'origine et exclut tous dommages dus à une erreur d'installation, à un usage abusif ou à une mauvaise utilisation du produit, qu'ils soient effectués par un entrepreneur, une société de services ou le consommateur.

Ceci constitue la garantie écrite exclusive de Kohler Co.

*Ne jamais utiliser de nettoyants contenant des agents abrasifs, de l'ammoniaque, de l'eau de Javel, des acides, des cires, de l'alcool, des dissolvants ou autres produits non recommandés pour l'acier inoxydable ou le plastique polypropylène. Ceci annulera la garantie.

Guía del propietario

Inodoro con asiento de limpieza

ADVERTENCIAS IMPORTANTES DE SEGURIDAD

LEA TODAS LAS INSTRUCCIONES ANTES DE USAR

Al usar productos eléctricos, en especial cuando haya niños presentes, siempre cumpla las precauciones básicas de seguridad, como las siguientes:



PELIGRO: Riesgo de sacudidas eléctricas. Solamente conecte a un circuito protegido por un interruptor de circuito con pérdida a tierra (GFCI)*.



ADVERTENCIA: Riesgo de sacudidas eléctricas. Desconecte el suministro eléctrico antes de dar servicio.

*Fuera de Estados Unidos es posible que este dispositivo se conozca como dispositivo de corriente residual (RCD, por sus siglas en inglés).



ADVERTENCIA: Para reducir el riesgo de quemaduras, electrocución, incendio o lesiones personales:

- Es necesario que haya supervisión cuando este producto esté siendo usado cerca de niños, ancianos o inválidos, o por ellos mismos. Ajuste la temperatura del asiento para los ancianos, los discapacitados o las personas con piel sensible.
- Use este producto únicamente con el fin para el que ha sido fabricado, tal como se describe en este manual. No use equipos adicionales que no recomiende Kohler Co.
- No haga funcionar este producto si el enchufe o el cable están dañados, si el equipo no funciona adecuadamente, si se ha dejado caer, si ha sufrido daños, o si ha caído en agua. Devuelva el producto para que sea examinado y reparado.
- Mantenga el cable lejos de superficies calientes.
- Nunca bloquee las aberturas para aire del producto. Evite pelusa, cabello y similares en las aberturas para aire.
- Nunca utilice mientras duerma o esté adormilado.
- No deje caer ni introduzca objetos en ninguna abertura o manguera.
- No lo utilice a la intemperie ni en lugares en los que se empleen aerosoles o en los que se administre oxígeno.
- Conecte este producto solamente a un tomacorriente que esté conectado a tierra correctamente. Consulte la sección "Instrucciones de conexión a tierra".

GUARDE ESTAS INSTRUCCIONES

Instrucciones de conexión a tierra

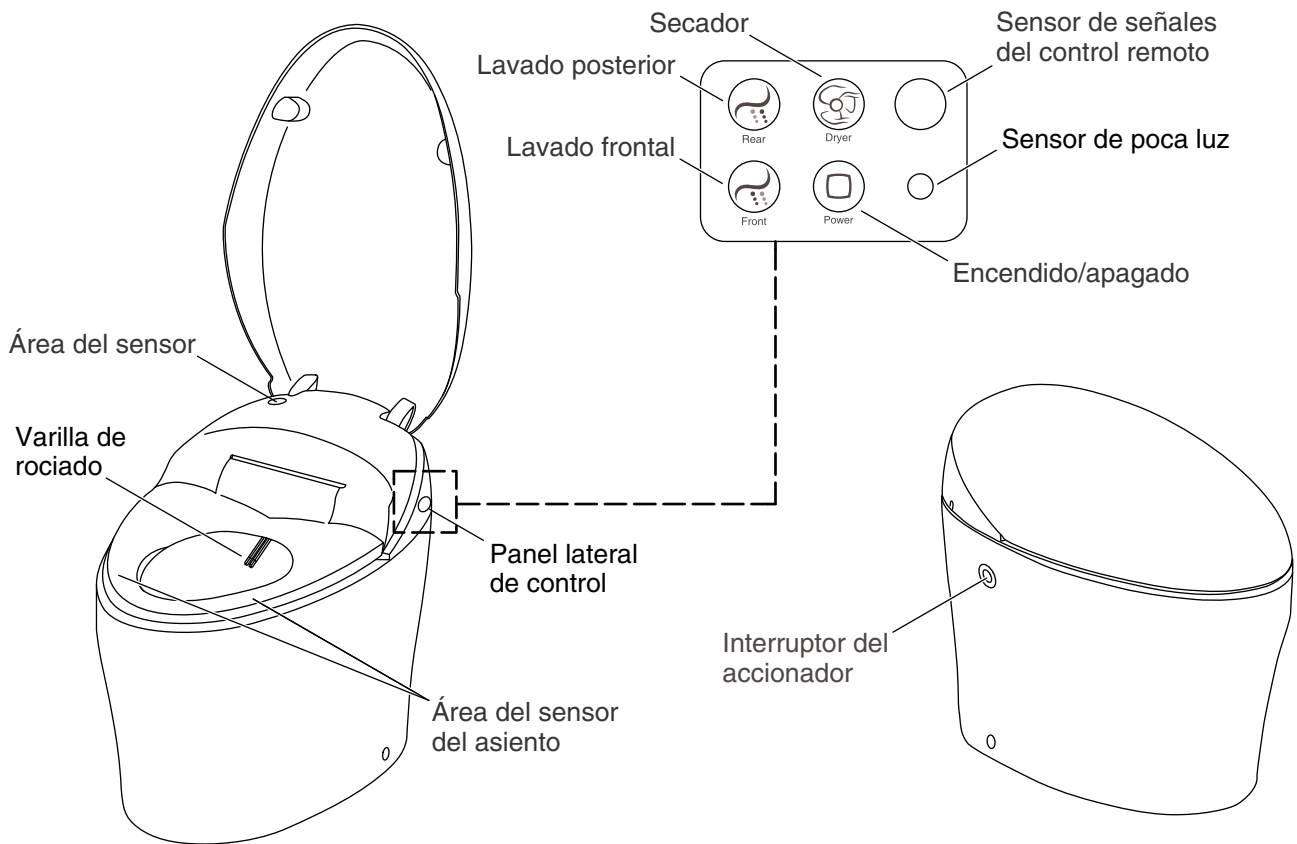
- Este producto se debe conectar a tierra. En caso de que haya un corto en el circuito eléctrico, la conexión a tierra reduce el riesgo de sacudida eléctrica ya que proporciona un alambre de escape para la corriente eléctrica. Este producto está equipado con un cable que tiene un alambre de conexión a tierra y un enchufe con conexión a tierra. El enchufe debe estar enchufado en un tomacorriente bien instalado y conectado a tierra.

ADVERTENCIAS IMPORTANTES DE SEGURIDAD (cont.)



PELIGRO: Riesgo de sacudidas eléctricas. El uso incorrecto del enchufe con conexión a tierra puede ocasionar un riesgo de sacudida eléctrica.

- Si es necesario reparar o cambiar el cable o el enchufe, no conecte el alambre de conexión a tierra a ninguno de los terminales de hoja plana. El alambre con aislamiento con superficie exterior verde, con o sin rayas amarillas, es el alambre de conexión a tierra.
- Si tiene alguna duda de si el producto está bien conectado a tierra o si las instrucciones de conexión a tierra no están completamente claras, solicite la verificación de un electricista calificado o de personal de servicio.
- No utilice un cable de extensión con este producto.



Funciones - Inodoro

NOTA: Muchas de las funciones pueden ser ajustadas, habilitadas, o inhabilitadas por medio del control remoto. Las instrucciones específicas para estos procedimientos aparecen más adelante en este manual.

Funciones generales

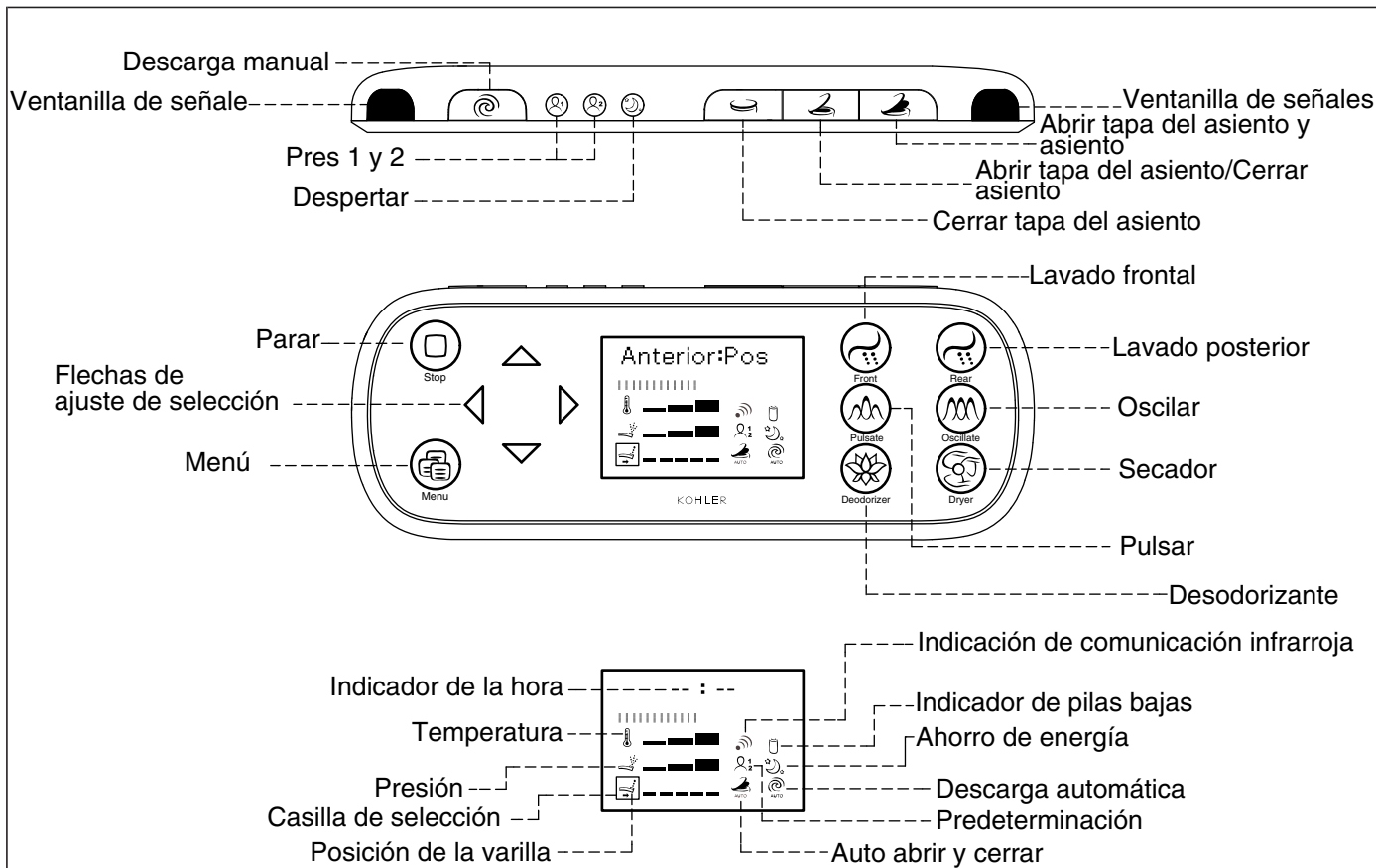
- **Descarga automática** - El inodoro descarga automáticamente después de que el usuario se levanta, cuando baja el asiento, o cuando se aleja del área 60 segundos después de usarlo.
- **Función automática de abertura/cierre** - Abre automáticamente la tapa del asiento cuando alguien se acerca al inodoro. Si la tapa y el asiento están abiertos, se cierran automáticamente cuando alguien se acerca. El asiento y la tapa del asiento se cierran automáticamente 3 minutos después de que se ha usado el inodoro.
- **Modo de ahorro de energía** - El inodoro se puede programar para conservar energía. Cuando está habilitado, el inodoro entra y sale de un modo de conservación de energía en el horario programado. El inodoro viene con esta función habilitada, establecida a 6 horas.
- **Desodorizante** - Elimina o reduce olores ofensivos mientras el inodoro está en uso.
- **Controles laterales** - Permiten al usuario controlar las funciones básicas del inodoro sin el control remoto.
- **Asiento con calefacción** - Es una opción ajustable de calefacción que mantiene tibio el asiento.
- **Luz nocturna** - Se enciende automáticamente en condiciones de poca luz.

Funciones de lavado

- **Lavado frontal/posterior** - Colocación ajustable de la función de lavado frontal y posterior, temperatura ajustable del agua, presión ajustable del agua, y acción de pulsación y oscilación del agua.

Funciones - Inodoro (cont.)

- **Secador** - La temperatura del aire que emite el secador es ajustable.



Funciones - Control remoto

Parte superior del control remoto

- **Descarga manual** - Oprima para activar la descarga del inodoro.
- **Predeterminaciones 1 y 2** - Permite guardar dos configuraciones del usuario. Seleccione uno de estos botones para usar las configuraciones guardadas con dicha predeterminación.
- **Despertar** - Oprima para activar el control remoto cuando esté en hibernación.
- **Cerrar tapa del asiento** - Oprima para cerrar la tapa.
- **Abrir tapa del asiento/Cerrar asiento** - Oprima para abrir la tapa del asiento o para cerrar el asiento.
- **Abrir tapa del asiento y el asiento** - Oprima para abrir la tapa del asiento y el asiento.
- **Ventanilla de señales** - Las señales se emiten por esta área. La ventanilla de señales no se debe cubrir cuando el control remoto esté en uso.

Frente del control remoto

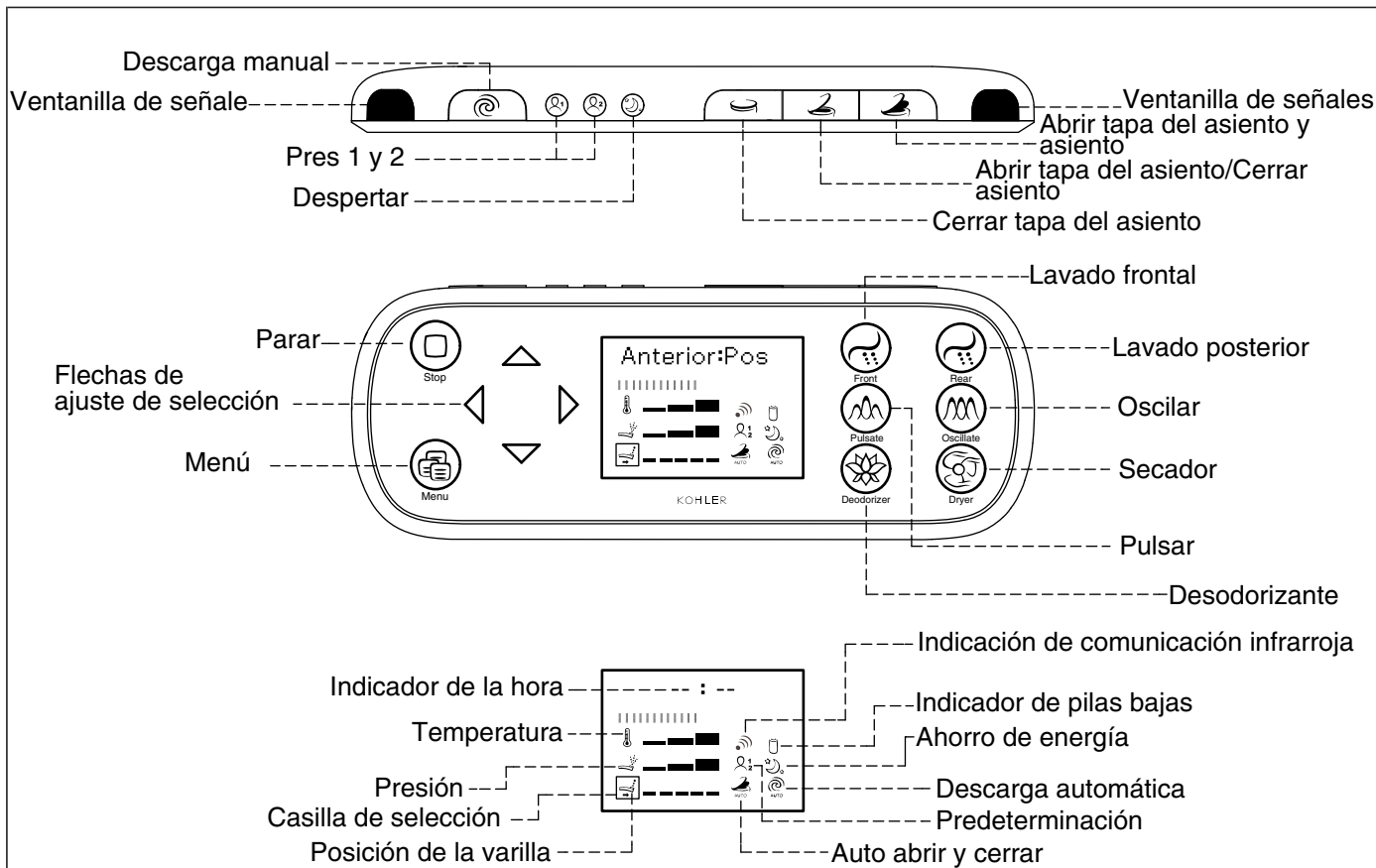
- **Parar** - Oprima para detener las funciones de lavado y de desodorizante.
- **Flechas de ajuste de selección** - Oprima para cambiar las selecciones que aparecen en la ventanilla indicadora, para hacer cambios a las configuraciones, o para cambiar las opciones en las funciones.
- **Menú** - Oprima para activar o desactivar funciones, programar funciones y programar el reloj.
- **Frontal** - Oprima para activar la función de lavado frontal.
- **Posterior** - Oprima para activar la función de lavado posterior.
- **Pulsar** - Oprima para activar la acción de pulsación de la varilla de limpieza. La presión del agua varía mientras la acción de pulsación está activada.

Funciones - Control remoto (cont.)

- **Oscilar** - Oprima para activar o desactivar la acción de oscilación de la varilla de limpieza. Cuando se activa la acción de oscilación, la varilla de bidet se desliza hacia dentro y hacia fuera.
- **Desodorizar** - Oprima para activar o desactivar la función desodorizante. Cuando esta función está activa, se enciende el ventilador del desodorizante.
- **Secador** - Oprima para activar el secador.

Pantalla indicadora en el control remoto

- **Indicador de hora o de función** - Cuando el control remoto no está en uso, esta área indica la hora. Cuando el control remoto está en uso, aparece la función activa. Cuando se selecciona la opción de menú, las funciones aparecen aquí.
- **Temperatura** - Seleccione este icono para ajustar la temperatura del agua o la temperatura del aire al usar las funciones de lavado. Oprima la flecha izquierda para disminuir la temperatura o la flecha derecha para aumentarla.
- **Presión** - Seleccione este icono para ajustar la presión del agua cuando se activa el lavado frontal o posterior.
- **Casilla de selección** - Aparece alrededor de la función seleccionada. Esta función entonces puede ser ajustada con las flechas derecha e izquierda. Mueva la casilla a otra opción con las flechas hacia arriba y hacia abajo.
- **Posición de la varilla** - Seleccione este icono para ajustar la posición de la varilla. Oprima la flecha izquierda para mover la varilla hacia atrás o la flecha derecha para moverla hacia adelante.
- **Indicación de comunicación infrarroja** - Cuando este icono está presente, significa que el control remoto está conectado al inodoro.
- **Indicador de pilas bajas** - Cuando este icono está presente es necesario cambiar las pilas.
- **Econ. energía** - Cuando este icono está presente, significa que el control remoto está inactivo.
- **Autodescarga** - Cuando este icono está presente, significa que la función de descarga automática está activada.
- **Predeterminación** - Cuando este icono está presente, una de las configuraciones predeterminadas ha sido seleccionada.
- **Auto abrir/cerrar** - Cuando aparece este icono, la función de abrir y cerrar automáticamente está activada. La función está desactivada si este icono no está presente.



Establecimiento o cambio de funciones

Reloj

- Oprima el botón **[Despertar]**.
- Oprima el icono "Menú" (Menú) y la flecha hacia arriba o hacia abajo hasta que aparezca **[Ajuste hora]**.
- Oprima la flecha hacia la derecha. Seleccione **[12H]** o **[24H]** para el estilo de indicación mediante las flechas hacia arriba o hacia abajo.
- Oprima la flecha hacia la derecha y ajuste las horas con las flechas hacia arriba y hacia abajo. Las horas también cambian la selección **[am]** o **[pm]**.
- Oprima la flecha hacia la derecha y ajuste los minutos con las flechas hacia arriba o hacia abajo.
- Oprima el icono "Menú" (Menú) para guardar la selección.

Descarga automática

- Oprima el botón **[Despertar]**.
- Oprima el icono "Menú" (Menú) y la flecha hacia arriba o hacia abajo hasta que aparezca **[Autodescarga]**.
- Oprima la flecha hacia la derecha y cambie la selección a **[Autodes: On]** or **[Autodes: Off]** con las flechas hacia arriba o hacia abajo.
- Oprima el icono "Menú" (Menú) para guardar la selección.

Ahorro de energía

Establecimiento o cambio de funciones (cont.)

NOTA: El modo de ahorro de energía desactiva la calefacción del asiento. Cuando el inodoro está en el modo de ahorro de energía, la luz indicadora en la ventanilla sensora aparece en rojo.

- Oprima el botón [**Despertar**].
- Oprima el icono "**Menu**" (Menú) y la flecha hacia arriba o hacia abajo hasta que aparezca [**Econ. energía**].
- Oprima la flecha derecha y cambie la selección a [**Timer: off**], [**Timer: 3h**], [**Timer: 6h**], o [**Timer: 9 h**].
- Oprima el icono "**Menu**" (Menú) para guardar la selección.

Temperatura del asiento

- Oprima el botón [**Despertar**].
- Oprima el icono "**Menu**" (Menú) y la flecha hacia arriba o hacia abajo hasta que aparezca [**Temp. asiento**].
- Seleccione la flecha hacia la derecha y luego use la flecha hacia arriba o hacia abajo hasta que aparezca la selección que desee.
- Oprima el icono "**Menu**" (Menú) para guardar la selección.

Idioma

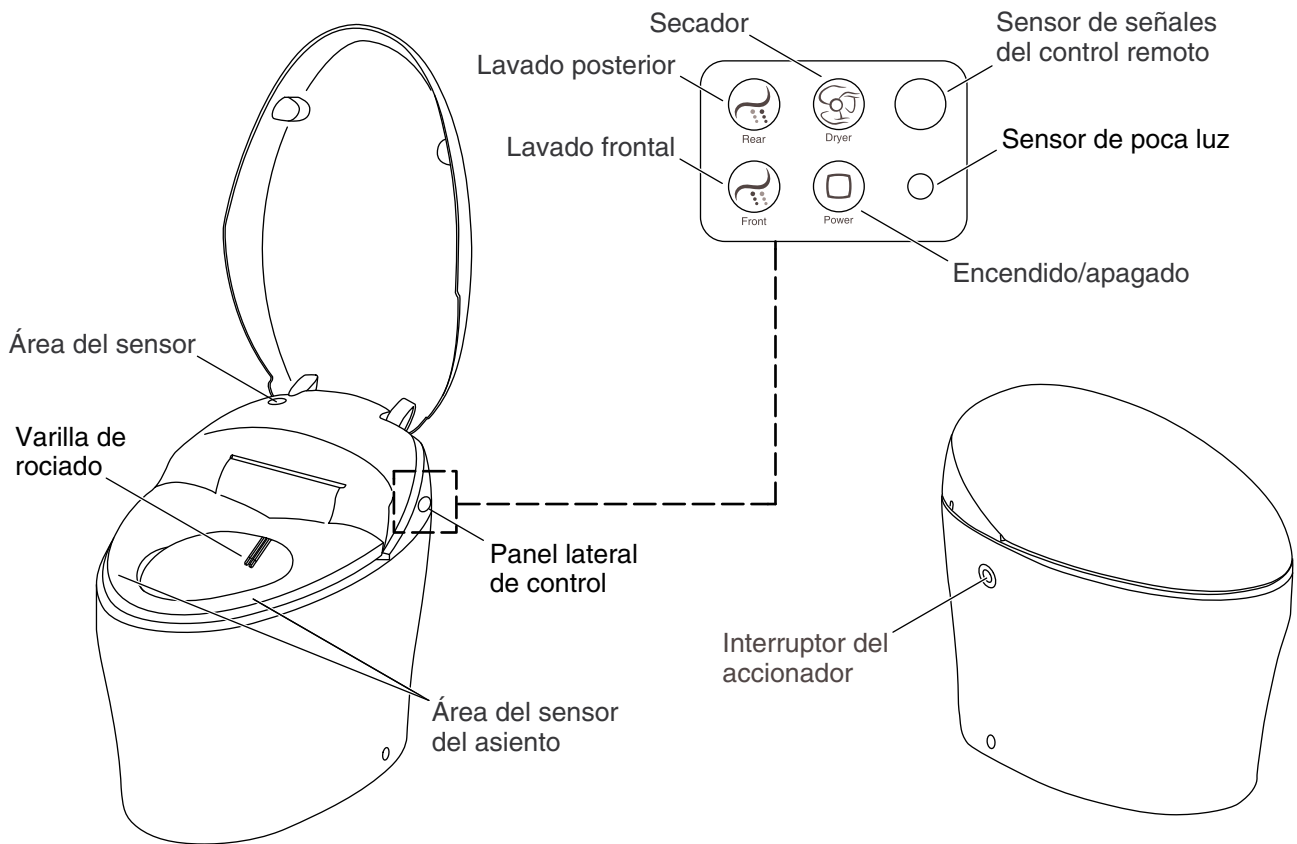
- Oprima el botón [**Despertar**].
- Oprima el icono "**Menu**" (Menú).
- Oprima la flecha hacia arriba o hacia abajo hasta que llegue a la selección [**Idiomas**].
- Seleccione la flecha hacia la derecha y luego use la flecha hacia arriba o hacia abajo hasta que aparezca el idioma que desee.
- Oprima el icono "**Menu**" (Menú) para guardar la selección.

Luz nocturna

- Oprima el botón [**Despertar**].
- Oprima el icono "**Menu**" [Menú] y la flecha hacia arriba o hacia abajo hasta que aparezca [**Luz nocturna**].
- Seleccione la flecha hacia la derecha, y luego use la flecha hacia arriba o hacia abajo para cambiar la selección a [**Luz: On**] o [**Luz: Off**].
- Oprima el icono "**Menu**" (Menú) para guardar la selección.

Abrir y cerrar automáticamente el asiento

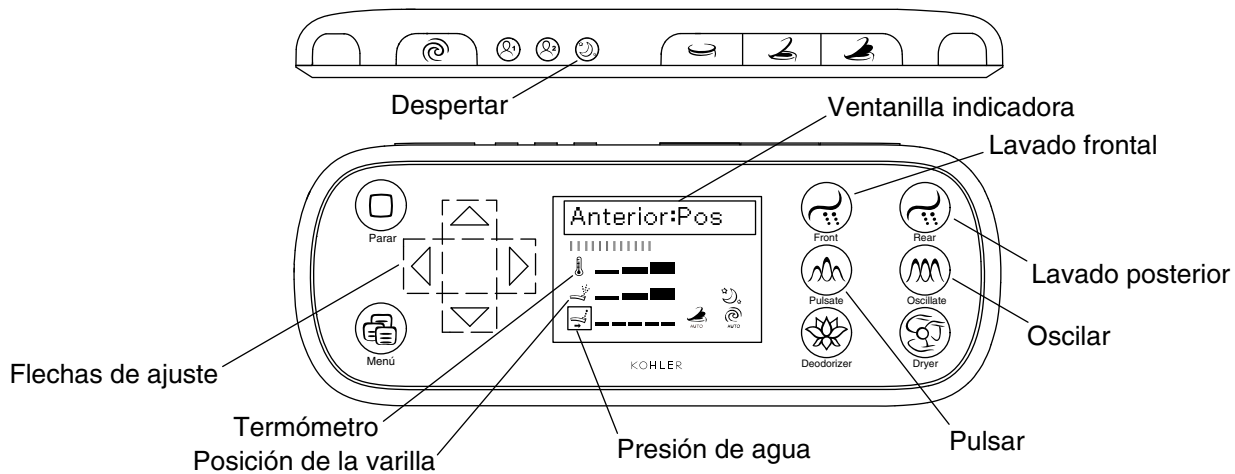
- Oprima el botón [**Despertar**].
- Oprima el icono "**Menu**" (Menú) y la flecha hacia arriba o hacia abajo hasta que aparezca [**Autoapertura**].
- Seleccione la flecha hacia la derecha y luego use la flecha hacia arriba o hacia abajo para cambiar la selección a [**Autoapert: On**] o [**Autoapert: Off**].
- Oprima el icono "**Menu**" (Menú) para guardar la selección.



Funcionamiento manual

NOTA: Cuando se activan las funciones de lavado por medio del panel lateral, quedan por diseño en las selecciones intermedias de temperatura, presión y posición de varilla.

- **“Rear” (posterior)** - Oprima el icono para activar el lavado posterior. Oprímalo de nuevo para detener el lavado posterior.
- **“Front” (frontal)** - Oprima el icono para activar el lavado frontal. Oprímalo de nuevo para detener el lavado frontal.
- **“Dryer” (secador)** - Oprima el icono para activar el secador. Oprímalo de nuevo para detener el secador.
- **“Power” (encendido)** - Oprima el icono para encender el suministro eléctrico.
- **Sensor del control remoto** - Recibe las señales del control remoto.
- **Sensor de poca luz** - Detecta bajo nivel de luz y enciende la luz nocturna cuando esta función automática está habilitada. Para habilitar o inhabilitar la luz nocturna, consulte la sección “Habilitar / Inhabilitar funciones automáticas”.
- **Flush (descarga)** - Oprima el botón accionador para descargar manualmente el inodoro. Para descargar el inodoro durante un apagón, vacíe 2 galones de agua en la taza del inodoro.



Cómo usar las funciones de música

NOTA: La función de lavado se detiene automáticamente después de 5 minutos.

NOTA: Las funciones de lavado también se pueden activar por medio de los controles laterales en el inodoro.

NOTA: La temperatura del agua, la presión del agua, la posición de la varilla, y el masaje son ajustables mientras el lavado posterior está en uso.

Cómo usar el lavado de limpieza frontal

- Oprima el botón [Despertar].
- Oprima el icono "Front" (frontal).
- Oprima el icono "Stop" para finalizar.

Cómo usar el lavado de limpieza posterior

- Oprima el botón [Despertar].
- Oprima el icono "Rear" (posterior).

Ajuste de la temperatura del agua

NOTA: El nivel de temperatura aparece junto al termómetro en el indicador.

- Asegúrese de que aparezca el icono de termómetro y que [Anterior:t] aparezca en la ventanilla.
- De ser necesario, seleccione el icono de termómetro con las flechas hacia arriba y hacia abajo.
- Oprima la flecha hacia la derecha para aumentar la temperatura del agua o la flecha hacia la izquierda para disminuirla. Hay tres selecciones disponibles.

Ajuste de la presión del agua

- Asegúrese de que aparezca el icono de presión del agua y que [Anterior:Pres] aparezca en la ventanilla.
- De ser necesario, seleccione el icono de termómetro con las flechas hacia arriba y hacia abajo.
- Oprima la flecha hacia la derecha para aumentar la presión del agua o la flecha hacia la izquierda para disminuirla. Hay tres selecciones.

Ajuste de la posición de la varilla

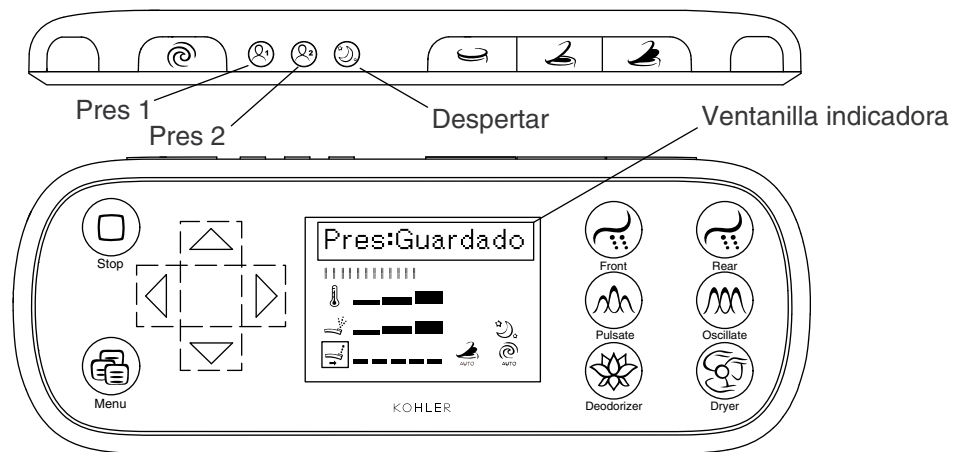
- Asegúrese de que aparezca el icono de varilla y que [Anterior:Pos] aparezca en la ventanilla.

Cómo usar las funciones de música (cont.)

- De ser necesario, seleccione el icono de posición de la varilla mediante las flechas hacia arriba y hacia abajo.
- Oprima la flecha hacia la derecha para aumentar la temperatura del agua o la flecha hacia la izquierda para disminuirla. Hay tres selecciones.

Oscilación y pulsación

- Seleccione los iconos **"Pulsate" (Pulsar)** u **"Oscillate" (Oscilar)**.
- De ser necesario, seleccione el icono de termómetro con las flechas hacia arriba y hacia abajo.
- Oprima la flecha hacia la derecha para aumentar la temperatura del agua o la flecha hacia la izquierda para disminuirla. Hay tres selecciones.



Cómo crear un perfil de usuario

Establezca cada una de las funciones a las selecciones que desee. Las funciones a establecer incluyen:

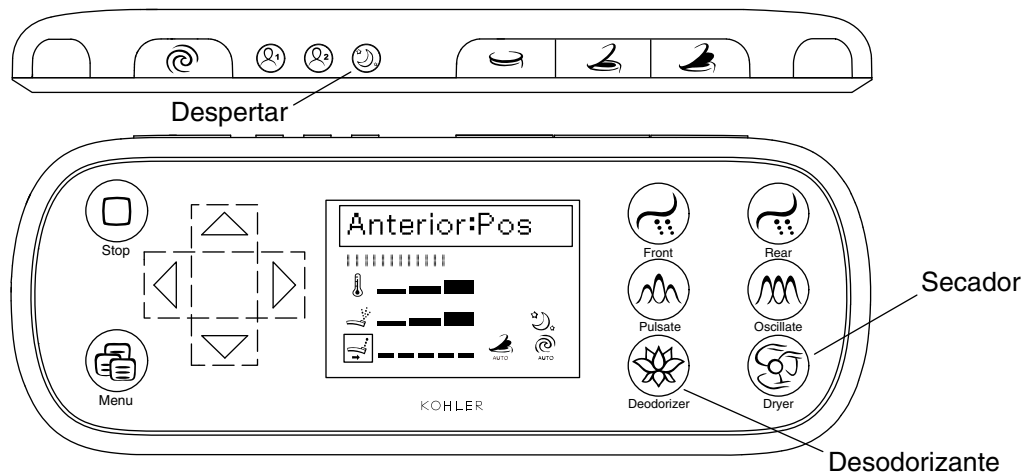
- Lavado frontal o posterior, presión del agua, temperatura del agua, posición de la varilla, pulsación y oscilación.
- Temperatura del aire de secado.
- Temperatura del asiento

Una vez que usted haya establecido sus selecciones:

- Oprima y sostenga oprimido el botón [**Pres 1**] o [**Pres 2**] hacia abajo más de 2 segundos .
- Confirme que [**Pres:Guardado**] aparezca en la ventanilla indicadora.

Uso de selecciones predeterminadas

- Cuando se siente en el inodoro, oprima el botón [**Despertar**].
- Oprima el botón [**Pres 1**] o [**Pres 2**]. Se aplicarán las selecciones predeterminadas que haya escogido.



Uso del secador y del desodorizante

Uso del secador

- Oprima el botón [Despertar].
- Oprima el icono del secador "Dryer".
- Para ajustar la temperatura del aire oprima la flecha hacia la derecha para aumentar la temperatura del aire o la flecha hacia la izquierda para disminuirla.

Cómo usar el desodorizante

- Oprima el botón [Despertar].
- Oprima el icono "Deodorizer" (Desodorizante).

Cuidado y limpieza



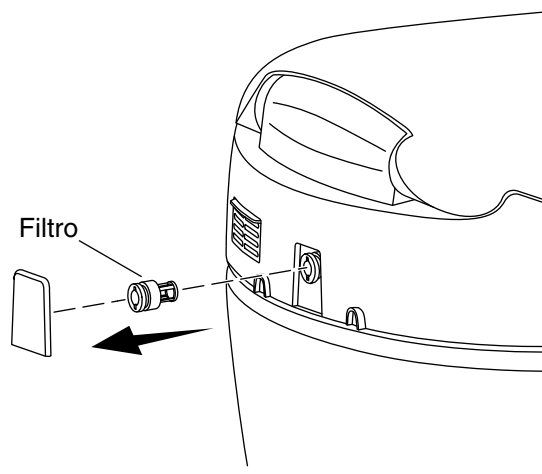
ADVERTENCIA: Riesgo de daños al producto o a la propiedad. Para limpiar el inodoro no utilice productos que se colocan dentro del tanque. Los productos que contienen cloro (hipoclorito de calcio) pueden dañar las piezas del tanque. Esto puede causar fugas y daños a la propiedad.

Kohler Co. no se hará responsable de daños a las conexiones del tanque causados por el uso de limpiadores que contengan cloro (hipoclorito de calcio).

Para obtener los mejores resultados, tenga presente lo siguiente al limpiar su producto KOHLER:

- Siempre pruebe la solución de limpieza en un área oculta antes de aplicarla a toda la superficie.
- Limpie con un paño las superficies, y enjuague completa e inmediatamente con agua después de haber aplicado algún limpiador. Enjuague y seque las superficies cercanas donde hayan caído salpicaduras.
- No deje mucho tiempo los limpiadores en las superficies.
- Utilice una esponja humedecida, o un paño suave y húmedo. Para limpiar las superficies nunca utilice materiales abrasivos, como cepillos o estropajos.
- **En inodoros Artist Edition:** Cuide su producto decorativo tal como lo haría con su porcelana más fina. NO utilice cepillos de cerdas ni esponjas con un lado abrasivo. Podrían rayar las superficies decoradas. Limpie estos acabados solamente con agua tibia. Seque con un trapo de algodón o con una esponja suave.

Para obtener información detallada de limpieza y de productos a considerar, visite kohler.com/clean. Para solicitar información sobre cuidado y limpieza, llame al 1-800-456-4537.



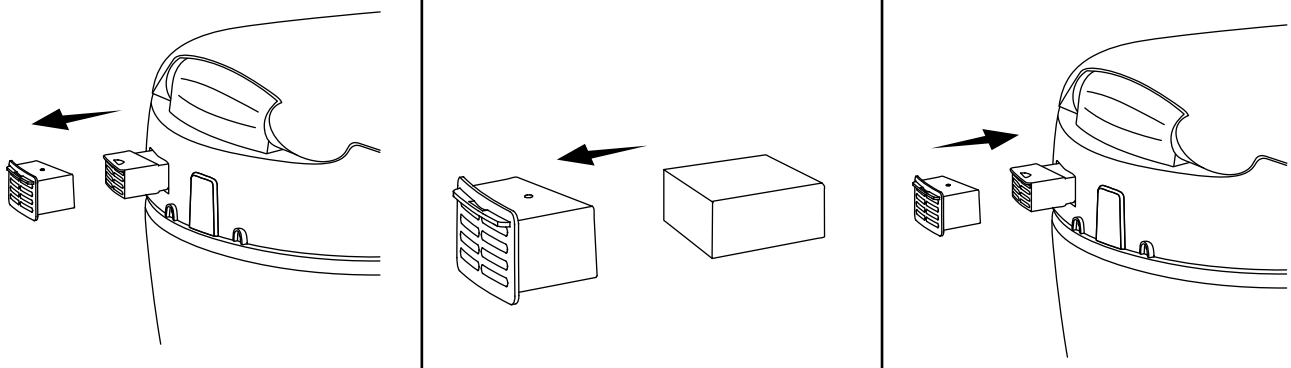
Servicio a la varilla y al filtro

Limpeza de la varilla de rociado

- En el panel lateral de control, oprima y sostenga oprimido el botón "FRONT" o "REAR" para extender la varilla hacia adelante.
- Limpie la varilla de rociado con un cepillo de cerdas suaves y agua caliente.
- La varilla se retrae automáticamente después de 2 minutos. Oprima el icono de lavado "FRONT" (FRONTAL) o "REAR" (POSTERIOR) para retraer si es necesario.

Limpeza o cambio del filtro

- Desconecte el suministro eléctrico al inodoro.
- Cierre la llave de paso de suministro para cerrar el suministro de agua.
- Retire la tapa del filtro.
- Si el filtro está dañado, cámbielo.
- Si el filtro está tapado, retire todos los desperdicios.
- Instale el filtro.
- Vuelva a instalar la cubierta.
- Abra la llave de paso de suministro.
- Vuelva a conectar el suministro eléctrico al inodoro.



Dé servicio al desodorizante

NOTA: El desodorizante se debe cambiar cada dos años o cuando disminuya su rendimiento.

- Retire el montaje del cartucho desodorizante sosteniéndolo y sacándolo con cuidado.
- Retire el filtro del alojamiento empujándolo a través del lado posterior del lado ventilado.
- Inserte el filtro de repuesto en el alojamiento.
- Vuelva a instalar el montaje del cartucho desodorizante.

Resolución de problemas

NOTA: Para consultar información sobre piezas de repuesto, visite la página del producto en kohler.com/serviceparts.

Niños pequeños

- Las funciones de descarga automática y de limpieza son activadas por un sensor que se encuentra bajo el asiento. Es posible que los niños pequeños no sean lo suficientemente altos para ser detectados por el sensor.

Generales

Síntomas	Causas probables	Acción recomendada
1. No llega corriente eléctrica al inodoro.	A. La corriente eléctrica no está encendida.	A. Oprima el icono "Power" (Encendido y apagado) en el panel lateral de control.
	B. El cable eléctrico no está conectado.	B. Conecte el cable eléctrico.
	C. El interruptor GFCI o RCD se ha disparado.	C. Restablezca el GFCI o RCD (si corresponde).
2. El inodoro no descarga aunque tiene corriente eléctrica.	A. No fluye agua al inodoro.	A1. Abra por completo la llave de paso de suministro de agua.
		A2. El sensor de desbordamiento no está funcionando correctamente.
	B. La bomba no ha sido conectada correctamente.	B. Revise la conexión de la bomba. Vuelva a conectar correctamente.
	C. El interruptor de nivel no está bien conectado.	C. Revise la conexión del interruptor de nivel.
	D. El montaje del accionador no funciona.	D. Cambie el montaje del accionador.
3. El inodoro tiene energía, pero no responde.	A. El interruptor del accionador no está bien conectado.	A. Revise la conexión del interruptor del accionador.

Resolución de problemas (cont.)

Generales

Síntomas	Causas probables	Acción recomendada
	B. Cuando el inodoro está apagando sus funciones, antes de que el sonido de aviso termine, se vuelve a activar la corriente eléctrica.	B. Después de quitar la corriente, espere a que el sonido de aviso haya terminado antes de volver a activar la corriente.
4. No sale agua de la varilla de lavado o el flujo es muy débil cuando se activa.	A. La llave de paso de suministro de agua está cerrada o solo parcialmente abierta.	A. Abra por completo la llave de paso de suministro de agua.
	B. La manguera de entrada de la llave de paso de suministro de agua al inodoro está torcida o forma un bucle demasiado apretado.	B. Destuerza la manguera o haga el bucle más amplio.
	C. El sensor del asiento no detecta al usuario.	C. Es posible que los niños pequeños no sean detectados. Ajuste la posición al estar sentado. El sensor puede tener dificultades con la tela o con otros objetos. El sensor está diseñado para detectar la piel.
	D. El cedazo del suministro de agua está bloqueado o dañado.	D. Dele servicio al filtro de acuerdo a las instrucciones en la Guía del propietario.
5. El asiento con calefacción no está tibio en lo absoluto o no lo suficientemente tibio.	A. La función de calefacción del asiento no está habilitada.	A. Active la función de calefacción del asiento por medio del control remoto.
	B. La selección de temperatura es demasiado baja.	B. Ajuste la temperatura de calefacción del asiento por medio del control remoto.
6. El agua deja de fluir de la varilla de rociado antes de que usted termine de hacer la limpieza.	A. Cinco minutos después de oprimir uno de los iconos del rociador, la función de lavado se detiene automáticamente.	A. Oprima de nuevo el icono "Rear" (Posterior) o "Front" (Frontal).
7. La función de desodorizante no funciona.	A. El desodorizante no está activado.	A. Active la función de desodorizante por medio del control remoto.
8. El inodoro no acciona la descarga automáticamente.	A. La función de descarga automática no está habilitada.	A1. Active la función de descarga automática por medio del control remoto.
		A2. El sensor no detecta al usuario. Si esto sucede repetidamente, llame al Centro de Atención al Cliente mediante la información provista en la página posterior de este manual.
9. La luz nocturna no se ilumina cuando hay poca luz.	A. La luz nocturna no está habilitada.	A. Habilite la función de luz nocturna por medio del control remoto.
	B. El sensor de poca luz no está funcionando correctamente.	B1. Limpie el sensor de luz que está en el panel lateral de control.
		B2. Llame al Centro de Atención al Cliente mediante la información en la página posterior de este manual.

Resolución de problemas (cont.)

Control remoto

Síntomas	Causas probables	Acción recomendada
1. El control remoto no enciende.	A. Las pilas no están bien instaladas.	A. Saque las pilas y vuelva a instalarlas.
	B. Las pilas no tienen carga.	B. Cambie las pilas. B2. Llame al Centro de Atención al Cliente mediante la información en la página posterior de este manual.
2. El control remoto no está conectando al inodoro.	A. Las ventanillas de señales en el control remoto están bloqueadas o sucias.	A. Asegúrese de no cubrir con las manos las dos ventanillas negras en los bordes superiores del control remoto. Limpie las ventanillas si están sucias.
	B. El sensor de señales del control remoto en el inodoro no está recibiendo la señal.	B1. Asegúrese de que el sensor de señales del control remoto esté limpio y de que no haya obstrucciones cerca de este. B2. Llame al Centro de Atención al Cliente mediante la información en la página posterior de este manual.
3. No se puede leer el texto que aparece en la ventanilla indicadora del control remoto.	A. Aparece el idioma equivocado en el indicador.	A. Cambie el idioma en el control remoto de acuerdo a las instrucciones provistas.
		A2. Llame al Centro de Atención al Cliente mediante la información en la página posterior de este manual.

Conformidad del control remoto

FCC ID: N82-KOHLER014

Este equipo cumple lo establecido en la sección 15 de las normas de la FCC. La operación de este equipo está sujeta a las siguientes dos condiciones:

1. Este equipo o dispositivo no puede causar interferencia perjudicial, y
2. Este dispositivo debe aceptar cualquier interferencia que reciba, incluida la interferencia que pudiera causar funcionamiento no deseado.

Cualquier modificación o cambio que no haya sido aprobado expresamente por la parte responsable de la conformidad podría invalidar el derecho del usuario a utilizar el producto.

Este equipo ha sido probado, y se ha encontrado que satisface los límites de un aparato digital Clase B, de acuerdo a la sección 15 de las normas de la FCC. Estos límites están diseñados para proveer protección razonable contra interferencia perjudicial en una instalación residencial. Este equipo genera, usa y puede radiar energía de radiofrecuencia y, si no se instala y utiliza en cumplimiento de las instrucciones, puede causar interferencia perjudicial a las comunicaciones de radio. Sin embargo, no se garantiza que la interferencia no pudiera ocurrir en una instalación en particular. Si este equipo causa interferencia perjudicial a la recepción de radio o televisión, lo que se puede determinar al encender y apagar el equipo, se le recomienda al usuario que trate de corregir la interferencia mediante una de las siguientes medidas:

- Cambiar la orientación o el lugar de la antena receptora.
- Aumentar la separación entre el equipo y el receptor.
- Conectar el equipo a un tomacorriente en un circuito diferente al que utiliza el receptor.
- Consultar al distribuidor o a un técnico con experiencia en radio/televisión para obtener ayuda.

Advertencia sobre exposición a radiofrecuencias

Conformidad del control remoto (cont.)

Este transmisor con su antena cumple los límites de exposición de radiofrecuencia (RF) de la FCC para la exposición no controlada/población general.

Este dispositivo no debe ubicarse ni hacerse funcionar con ninguna otra antena o transmisor.

Este dispositivo debe usarse a una distancia mínima de por lo menos 20 cm entre la antena y el cuerpo de la persona.

IC DE CANADÁ: 4554A-KOHLER014

Este dispositivo cumple las normas RSS de excepción de licencia de la Industria de Canadá.

La operación de este equipo está sujeta a las siguientes dos condiciones:

1. Este equipo no debe causar interferencia, y
2. Este equipo debe aceptar cualquier interferencia, incluida la interferencia que pueda causar funcionamiento no deseado.

Este transmisor con su antena cumple con los límites de exposición de radiofrecuencia (RF) de la Industria de Canadá para la exposición no controlada/población general.

Este aparato digital Clase B cumple la norma canadiense ICES-003.

Garantía

Garantía limitada de tres años del asiento de limpieza C3 y del inodoro inteligente KOHLER

Kohler Co. garantiza sus inodoros con funcionalidad integrada de lavado ("inodoros inteligentes") y sus asientos de limpieza contra defectos de material y mano de obra durante el uso normal residencial, durante tres años a partir de la fecha de instalación del producto. Esta garantía se aplica solamente a inodoros inteligentes y asientos de limpieza instalados en Estados Unidos de América, Canadá y México ("Norteamérica").

Si se encuentra un defecto durante el uso residencial normal, Kohler Co., a su criterio, reparará, proveerá una pieza de repuesto o un producto, o realizará los ajustes pertinentes en los casos en que la inspección realizada por Kohler Co. determine dicho defecto. Esta garantía no cubre daños causados por accidente, abuso o uso indebido. El cuidado y la limpieza indebidos anulan la garantía*. Al presentar las reclamaciones de garantía a Kohler Co. es necesario incluir el comprobante de compra (recibo de venta original). Kohler Co. no se hace responsable de costos de mano de obra, instalación u otros costos incidentales o indirectos, aparte de los mencionados arriba. En ningún caso deberá la responsabilidad de Kohler Co. exceder el precio de compra del inodoro inteligente o del asiento de limpieza eléctrico.

Si los inodoros inteligentes o los asientos de limpieza eléctricos se utilizan comercialmente o si se instalan fuera del territorio de Norteamérica, Kohler Co. garantiza que el inodoro inteligente y que el asiento de limpieza eléctrico estarán libres de defectos de material y de mano de obra durante un (1) año a partir de la fecha de instalación del producto, quedando en efecto el resto de las condiciones de esta garantía a excepción de la duración.

Si usted considera que tiene una reclamación en virtud de la garantía, comuníquese con su centro de remodelación, distribuidor, contratista de plomería o distribuidor por Internet. Asegúrese de proporcionar toda la información pertinente a su reclamación, incluida una descripción completa del problema, el producto, el número de modelo, la fecha de compra del producto, el lugar de compra del producto, y la fecha de instalación. También incluya el recibo original. Para obtener información adicional, o para el nombre y la dirección del lugar de reparación y servicio más cercano a usted, escriba a Kohler Co., Atención: Customer Care Center, Kohler, Wisconsin 53044 USA, o llame al 1-800-4-KOHLER (1-800-456-4537) desde los EE.UU. y Canadá, y al 001-800-456-4537 desde México, o visite www.kohler.com desde los EE.UU., www.ca.kohler.com desde Canadá, o www.mx.kohler.com en México.

LAS GARANTÍAS ANTERIORMENTE MENCIONADAS SUSTITUYEN A TODAS LAS DEMÁS GARANTÍAS, EXPRESAS O IMPLÍCITAS, INCLUIDAS, ENTRE OTRAS, LAS GARANTÍAS

Garantía (cont.)

IMPLÍCITAS DE COMERCIALIZACIÓN E IDONEIDAD PARA UN USO DETERMINADO. KOHLER CO. Y/O EL VENDEDOR DESCARGAN TODA RESPONSABILIDAD POR CONCEPTO DE DAÑOS PARTICULARES, INCIDENTALES O INDIRECTOS.

Algunos estados/algunas provincias no permiten limitaciones en cuanto a la duración de una garantía implícita o a la exclusión o limitación de dichos daños, por lo que es posible que estas limitaciones y exclusiones no se apliquen a su caso. Esta garantía otorga al consumidor ciertos derechos legales específicos. Además, usted puede tener otros derechos que varían de estado a estado y de provincia a provincia. Esta garantía está destinada únicamente para el comprador consumidor original y excluye todo daño al producto como resultado de errores de instalación, abuso del producto o uso indebido del mismo, bien sea por parte de un contratista, de una compañía de servicios o del consumidor mismo.

Esta es la garantía exclusiva por escrito de Kohler Co.

*Nunca utilice limpiadores que contengan abrasivos, amoníaco, blanqueador, ácidos, ceras, alcohol, disolventes u otros productos no recomendados para acero inoxidable o para plástico de polipropileno. Esto anula la garantía.

USA/Canada: 1-800-4KOHLER

México: 001-800-456-4537

kohler.com

THE BOLD LOOK
OF **KOHLER**®

©2018 Kohler Co.

1221754-5-C