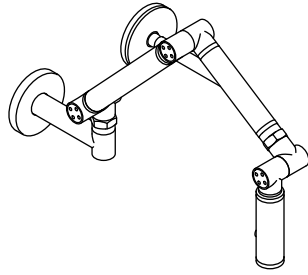


# Installation and Care Guide

## Wall-Mount Kitchen Sink Faucet

K-6228

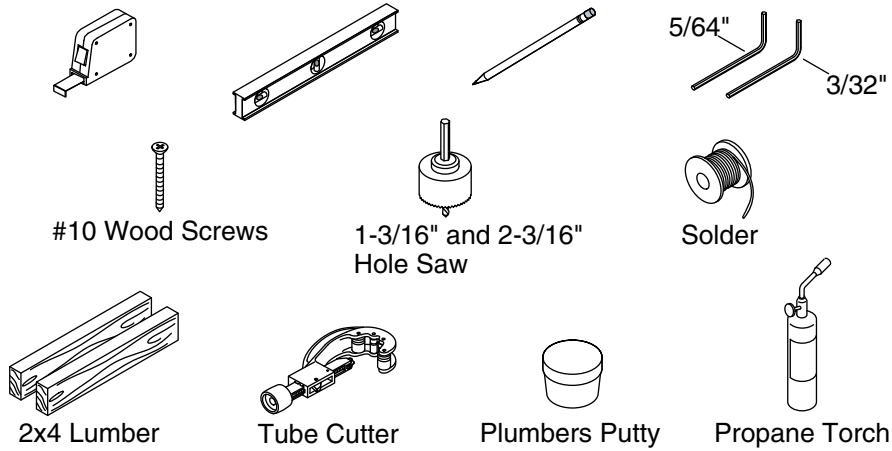


**M** product numbers are for Mexico (i.e. K-12345**M**)  
Los números de productos seguidos de  
**M** corresponden a México (Ej.  
K-12345**M**)  
Français, page "Français-1"  
Español, página "Español-1"

THE BOLD LOOK  
OF **KOHLER**®

1095311-2-J

## Tools and Materials



## Before You Begin



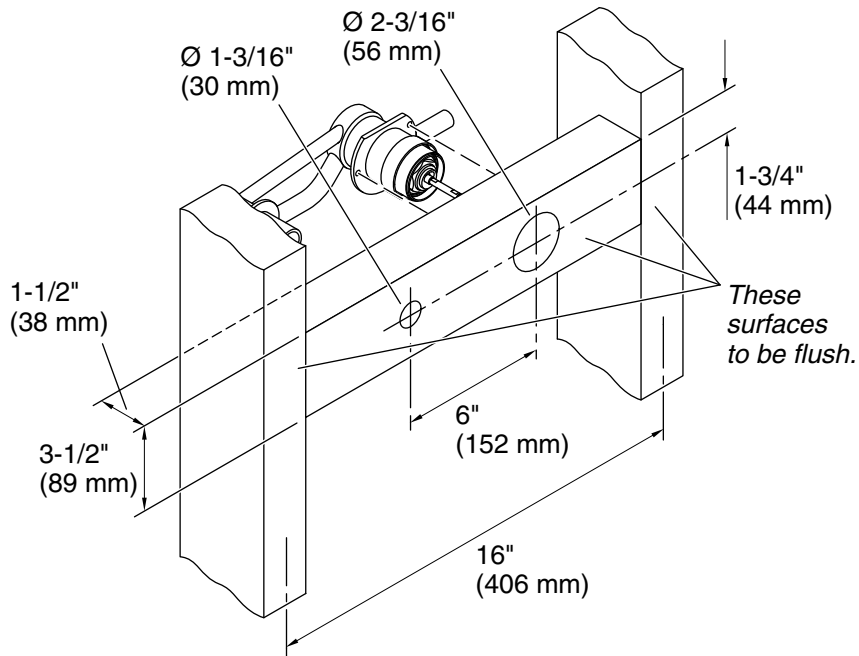
**CAUTION: Risk of property damage.** Before finishing the wall, make sure the supply lines are connected to the mixer valve with the cold line plumbed on the left and the hot line plumbed on the right.

**IMPORTANT!** Unless otherwise indicated, the illustrations in this document show installation for a handle located to the right of the spout. The valve is designed for handle installation on the right. Special steps will need to be performed to position the handle to the left of the valve.

**NOTICE:** For exterior wall installations, be sure proper wall insulation is installed to prevent frozen pipes.

**NOTE:** For service parts information, visit your product page at [www.kohler.com/serviceparts](http://www.kohler.com/serviceparts).

- Observe all local plumbing and building codes.
- Shut off the water supply.
- Carefully inspect supply tubing for any sign of damage.
- The supplied plaster guard will also be used to assemble the valve. The supplied spout tool will also be used for alignment of the spout escutcheon.

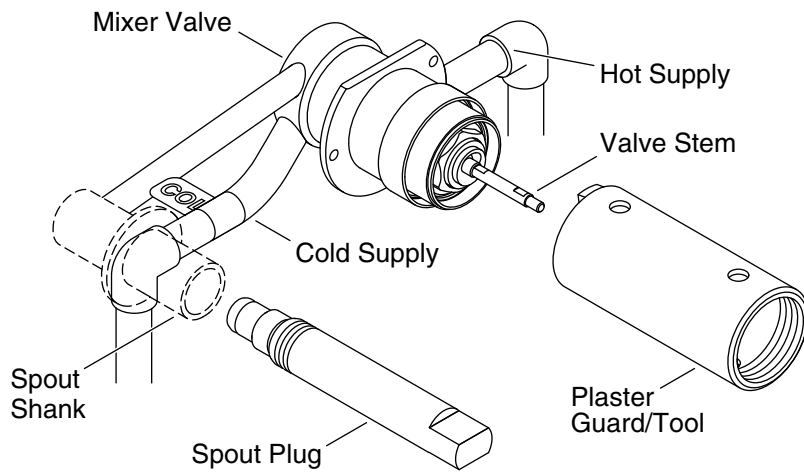


## 1. Prepare the Site

**IMPORTANT!** The illustration shows hole locations for a right side handle. Reverse the holes for left side handle installation.

**NOTE:** The mixer valve requires special framing and support.

- Construct framing for right side handle installation according to the dimensions shown. Reverse the holes for left side handle installation.
- Verify the framing is level and will be parallel to the finished wall. Adjust as needed.
- Loosely attach the mixer valve to the framing with one or two wood screws (not provided).
- Using the flat portion of the mixer valve as a guide, level the mixer valve.
- Fully tighten the wood screw(s).



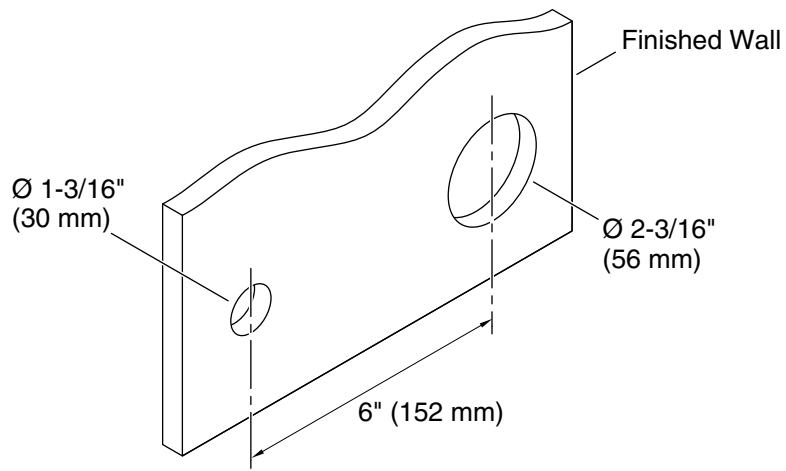
## 2. Install the Supplies



**CAUTION: Risk of property damage.** When installing the handle on either the right or the left side of the spout, connect the supplies to the mixer valve with the **cold** supply line plumbed on the **left** and the **hot** supply line plumbed on the **right**. For left side handle installation, disregard the cold label on the mixer valve.

**IMPORTANT!** The illustration shows a right side handle installation. The supply can also be installed with the handle on the left side.

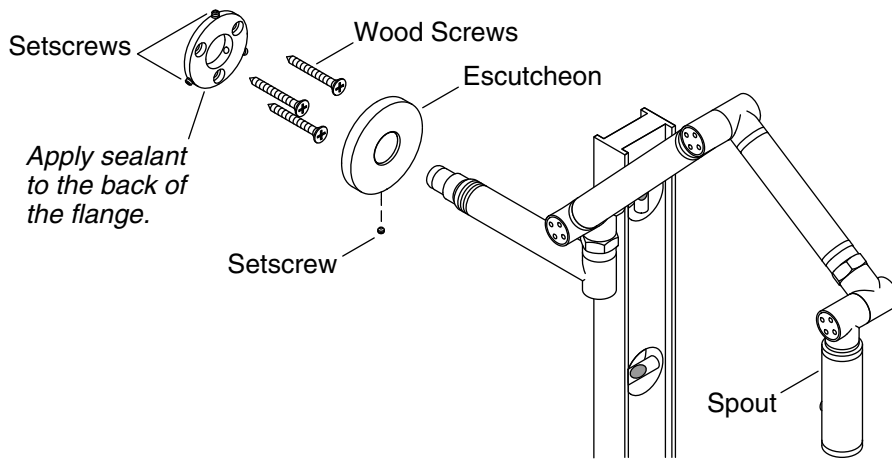
- Install 1/2" supply lines to the mixer valve with the cold supply on the left and the hot supply on the right.
- Temporarily remove and retain the plaster guard/tool and spout plug.
- Position a bucket in front of the spout shank, then turn on the water supplies to the mixer valve.
- Slowly open the valve stem. Allow hot and cold water to flow from the water supplies for approximately 1 minute to remove any debris.
- Close the valve stem. Check all connections for leaks.
- Reattach the plaster guard/tool and spout plug.



### 3. Complete the Finished Wall

**IMPORTANT!** The illustration shows hole locations for a right side handle. Reverse the holes for left side handle installation.

- Measure and mark the hole centers 6" (152 mm) apart from each other.
- Using a hole saw, drill a 1-3/16" (30 mm) hole for the spout and a 2-3/16" (58 mm) hole for the handle.
- Complete the finished wall.



#### 4. Install the Spout

**NOTE:** Anchors are required when installing to materials such as glass, mirror, and ceramic tile. The anchors and fasteners are not supplied. Select appropriate fasteners and anchors for the finished wall material.

##### If Anchors Are Required

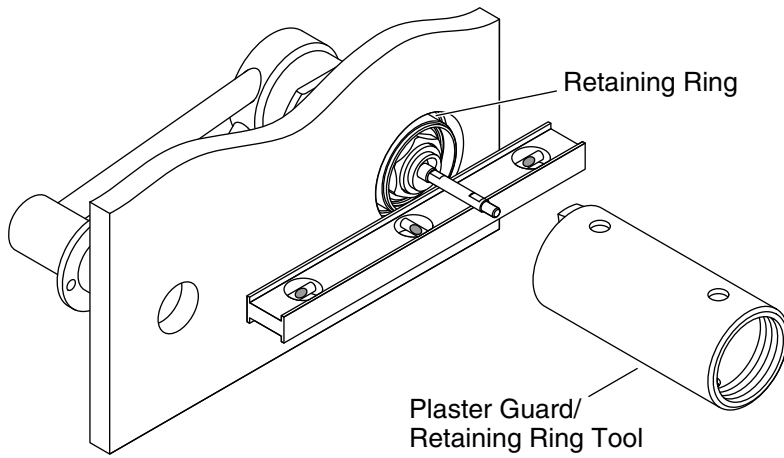
- Position the wall flange over the spout plug (not shown) with the three holes at the 2, 6, and 10 o'clock positions. Mark the hole locations on the wall.
- Drill holes at each of the marks, using the drill bit size and type appropriate for the finished wall material.

##### All Installations

- Confirm there are three setscrews pre-installed in the wall flange. Make sure they do not protrude into the inside diameter of the wall flange. Adjust as necessary using a 3/32" hex wrench.
- Apply plumbers putty or other suitable sealant to the back of the wall flange.
- Slide the wall flange over the spout plug (not shown).
- Position the three holes on the wall flange at the 2, 6, and 10 o'clock positions, then secure the flange with three wood screws or other appropriate fasteners (not provided).
- Remove the spout plug.
- Temporarily place the escutcheon on the wall flange.

### **Install the Spout (cont.)**

- Thread the spout onto the mixer valve until the spout is fully seated. If necessary, unthread the spout for alignment.
- Slide the escutcheon away from the finished wall to access the setscrew holes.
- Using a 3/32" hex wrench, tighten the three setscrews in the wall flange until the setscrews contact the spout. Fully tighten the setscrews.
- Slide the escutcheon back against the finished wall and onto the wall flange.
- With the escutcheon setscrew hole at the 6 o'clock position, use a 5/64" hex wrench to secure the escutcheon with a setscrew.



## 5. Adjust the Valve - Right Handle



**CAUTION: Risk of property damage.** The water supply must be shut off before performing these steps.



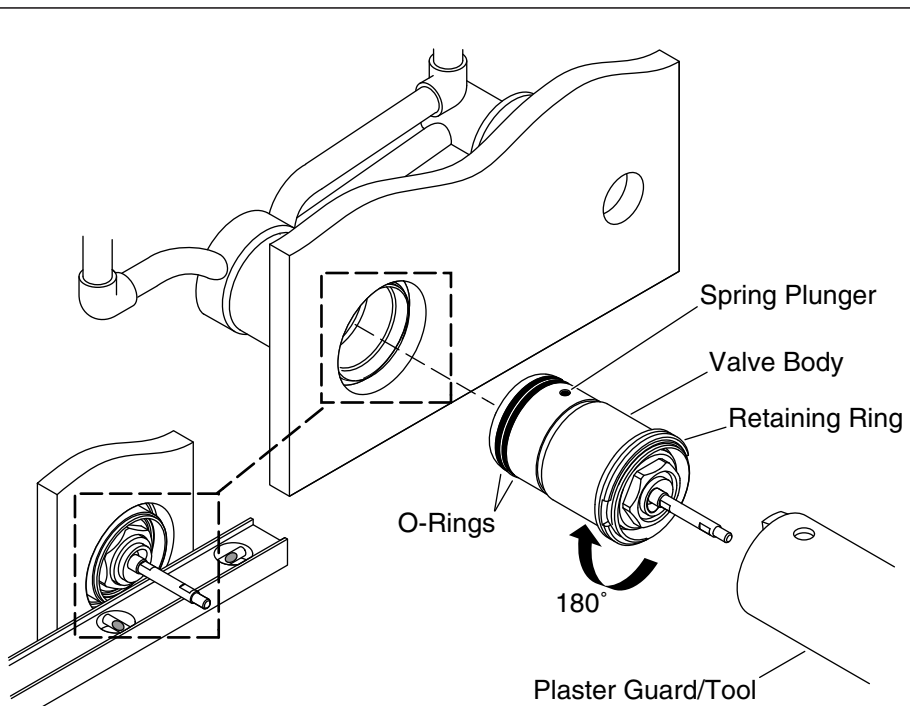
**CAUTION: Risk of property damage.** At the maximum valve body extension, a detent will be encountered. To avoid leakage, do not extend the valve beyond this detent. If the valve needs to be extended further, install deep rough-in kit 1107027. If the valve needs to be recessed further, install shallow rough-in kit 1107026.

- Shut off the water supply.
- Remove the plaster guard/retaining ring tool.
- Position a bucket at the spout outlet, then open the valve handle to relieve water pressure. Leave the handle open.
- Using the tool, loosen the threaded retaining ring until the valve body disengages from the mixer valve.
- Using a straight edge, adjust and hold the valve body flush with the finished wall.

**NOTE:** A screwdriver inserted through the holes in the plaster guard/retaining ring tool can serve as a handle.

- With the valve body flush with the finished wall, retighten the retaining ring with the tool.
- Close the valve handle.
- Turn on the water supply and check that the valve is functioning properly.





## 6. Adjust the Valve - Left Handle



**CAUTION: Risk of property damage.** The water supply must be shut off before performing these steps.



**CAUTION: Risk of property damage.** At the maximum valve body extension, a detent will be encountered. To avoid leakage, do not extend the valve beyond this detent. If the valve needs to be extended further, install deep rough-in kit 1107027. If the valve needs to be recessed further, install shallow rough-in kit 1107026.

**IMPORTANT!** Perform these steps when the handle will be located on the left side of the spout.

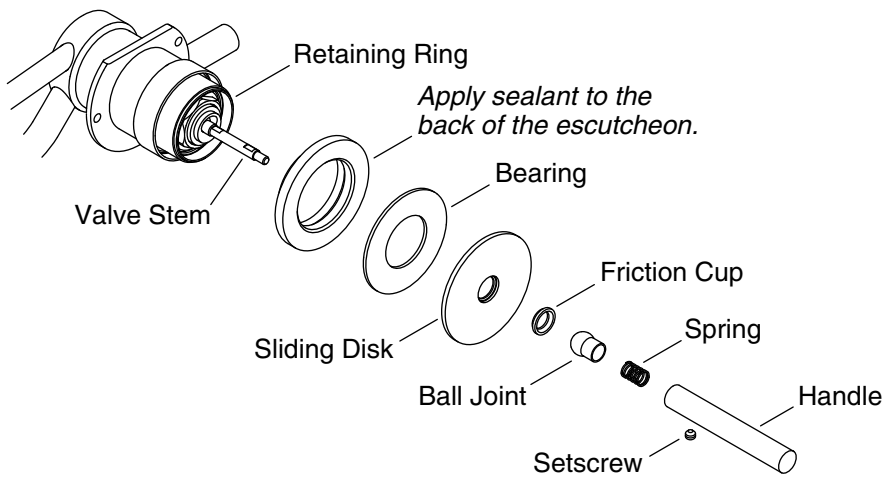
- Shut off the water supply.
- Remove the plaster guard/retaining ring tool.
- Position a bucket at the spout outlet, then open the valve handle to relieve water pressure. Leave the handle open.
- Using the tool, loosen the threaded retaining ring until the valve body disengages from the mixer valve.

### **Adjust the Valve - Left Handle (cont.)**

- Pull out the valve body. The plaster guard/retaining ring tool can be threaded onto the valve body to get a better grip when pulling it out.
- Rotate the valve body 180 degrees from the original position. This allows the handle to move up when turning the water on.
- Verify the o-rings on both the valve body and the mixer valve are undamaged.
- Verify the spring plunger is installed and is flush with the surface of the valve body.
- Reinstall the valve body into the mixer valve until fully seated.
- Using a straight edge, adjust and hold the valve body flush with the finished wall.

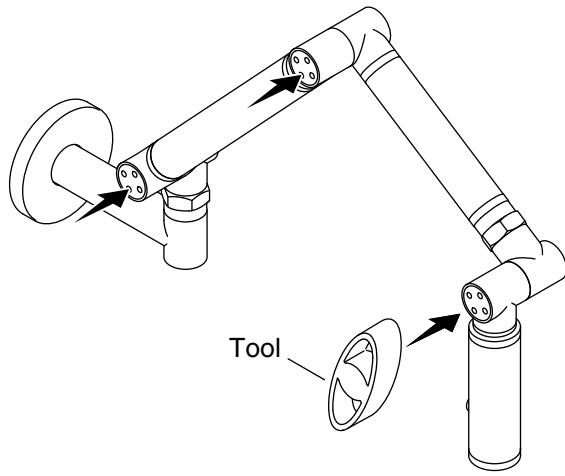
**NOTE:** A screwdriver inserted through the holes in the plaster guard/retaining ring tool can serve as a handle.

- With the valve body flush with the finished wall, retighten the retaining ring with the tool.
- Close the valve handle.
- Turn on the water supply and check that the valve is functioning properly.



## 7. Install the Handle

- Apply plumbers putty or other suitable sealant to the back of the escutcheon.
- Thread the escutcheon tight against the finished wall.
- Slide the following components onto the valve stem: bearing, sliding disk, friction cup, ball joint, and spring.
- Hold the components in place on the valve stem, then thread the handle onto the valve stem until fully seated.
- Unthread the handle until the setscrew hole is pointed at the 6 o'clock position.
- Use a 5/64" hex wrench to fully tighten the setscrew into the handle.
- Turn on the water supply.
- Check for leaks.



## 8. Adjust the Faucet

**NOTE:** Adjustment may be needed if the faucet is difficult to move or does not remain in place after use.

- Insert the adjustment tool onto the joint that requires adjustment.
- To tighten the joint, turn the tool clockwise. To loosen the joint (faucet will move more freely), turn the tool counterclockwise.

## Care and Cleaning

For best results, keep the following in mind when caring for your KOHLER product:

- Use a mild detergent such as liquid dishwashing soap and warm water for cleaning. Do not use abrasive cleaners that may scratch or dull the surface.
- Carefully read the cleaner product label to ensure the cleaner is safe for use on the material.
- Always test your cleaning solution on an inconspicuous area before applying to the entire surface.
- Do not allow cleaners to sit or soak on the surface.
- Wipe surfaces clean and rinse completely with water immediately after cleaner application. Rinse and dry any overspray that lands on nearby surfaces.

## Care and Cleaning (cont.)

- Use a soft, dampened sponge or cloth. Never use an abrasive material such as a brush or scouring pad to clean surfaces.

For detailed cleaning information and products to consider, visit [www.kohler.com/clean](http://www.kohler.com/clean). To order Care & Cleaning information, call 1-800-456-4537.

## Warranty

### KOHLER® Faucet Lifetime Limited Warranty

Kohler Co. warrants its Faucets\* manufactured after January 1, 1997, to be leak and drip free during normal residential use for as long as the original consumer purchaser owns his or her home. If the Faucet should leak or drip during normal use, Kohler Co. will, free of charge, mail to the purchaser the cartridge necessary to put the Faucet in good working condition. This warranty applies only to Kohler Faucets installed in the United States of America, Canada or Mexico ("North America").

Kohler Co. also warrants all other aspects of the faucet or accessories ("Faucet")\*, (except gold, non-Vibrant®, non-chrome finishes) to be free of defects in material and workmanship during normal residential use for as long as the original consumer purchaser owns his or her home. This warranty applies only to Kohler Faucets installed in North America. If a defect is found in normal residential use, Kohler Co. will, at its election, repair, provide a replacement part or product, or make appropriate adjustment. Damage to a product caused by accident, misuse, or abuse is not covered by this warranty. Improper care and cleaning will void the warranty\*\*. Proof of purchase (original sales receipt) must be provided to Kohler Co. with all warranty claims. Kohler Co. is not responsible for labor charges, installation, or other incidental or consequential costs. In no event shall the liability of Kohler Co. exceed the purchase price of the Faucet.

If the Faucet is used commercially or is installed outside of North America, or if the finish is gold, non-Vibrant or a painted or powder coated color finish, Kohler Co. warrants the Faucet to be free from defects in material and workmanship for one (1) year from the date the product is installed, under Kohler Co.'s standard one-year limited warranty.

If you believe that you have a warranty claim, contact Kohler Co., either through your Dealer, Plumbing Contractor, Home Center or E-tailer, or by writing Kohler Co., Attn.: Customer Care Center, 444 Highland Drive, Kohler, WI 53044, USA. Please be sure to provide all pertinent information regarding your claim, including a complete description of the problem, the product, model number, color, finish,

**Warranty (cont.)**

the date the product was purchased and from whom the product was purchased. Also include your original invoice. For other information, or to obtain the name and address of the service and repair facility nearest you, call 1-800-4-KOHLER (1-800-456-4537) from within the USA and Canada, and 001-800-456-4537 from within Mexico, or visit [www.kohler.com](http://www.kohler.com) within the USA, [www.ca.kohler.com](http://www.ca.kohler.com) from within Canada, or [www.mx.kohler.com](http://www.mx.kohler.com) in Mexico.

**KOHLER CO. AND/OR SELLER ARE PROVIDING THESE WARRANTIES IN LIEU OF ALL OTHER WARRANTIES, EXPRESSED OR IMPLIED, INCLUDING BUT NOT LIMITED TO THE IMPLIED WARRANTIES OF MERCHANTABILITY AND FITNESS FOR A PARTICULAR PURPOSE. KOHLER CO. AND/OR SELLER DISCLAIM ALL LIABILITY FOR SPECIAL, INCIDENTAL OR CONSEQUENTIAL DAMAGES. Some states/provinces do not allow limitations of how long an implied warranty lasts or the exclusion or limitation of such damages, so these limitations and exclusions may not apply to you. This warranty gives the consumer specific legal rights. You may also have other rights that vary from state/province to state/province.**

**This is Kohler Co.'s exclusive written warranty.**

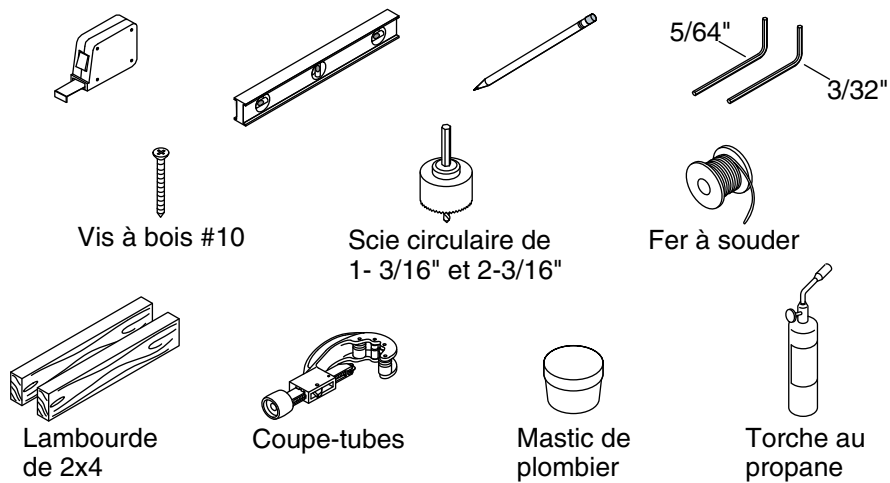
\*Trend<sup>®</sup> faucets, MasterShower<sup>®</sup> tower, BodySpa systems and components; WaterHaven<sup>®</sup> tower, systems and components; Tripoint<sup>®</sup> faucets, Polished Gold, non-Vibrant and painted or powder coated finishes, fittings; all items within the "Fixture Related" section of the Kohler Faucets Price Book, drains, Duostrainer<sup>®</sup> sink strainers, soap/lotion dispensers, Moxie<sup>®</sup> Wireless Speaker; and faucets used in commercial settings, and outside North America, are covered by Kohler Co.'s one-year limited warranty.

\*\*Never use cleaners containing abrasive cleansers, ammonia, bleach, acids, waxes, alcohol, solvents or other products not recommended for chrome. This will void the warranty.

# Guide d'installation et d'entretien

## Robinet d'évier à montage mural

### Outils et matériaux



### Avant de commencer



**ATTENTION: Risque de dommages matériels.** Avant de terminer le mur, s'assurer que les conduites d'alimentation sont connectées au robinet mélangeur avec la conduite d'alimentation en eau froide plombée sur la gauche et la conduite d'alimentation en eau chaude plombée sur la droite.

**IMPORTANT!** Sauf sur indication spécifique, les illustrations dans ce document indiquent une installation pour une poignée située sur la droite du bec. Le robinet est conçu pour l'installation d'une poignée sur la droite. Des étapes spéciales doivent être exécutées pour positionner la poignée sur le côté gauche du robinet.

**AVIS:** Pour des installations sur mur extérieur, s'assurer qu'une bonne isolation du mur est en place afin d'éviter le gel des tuyaux.

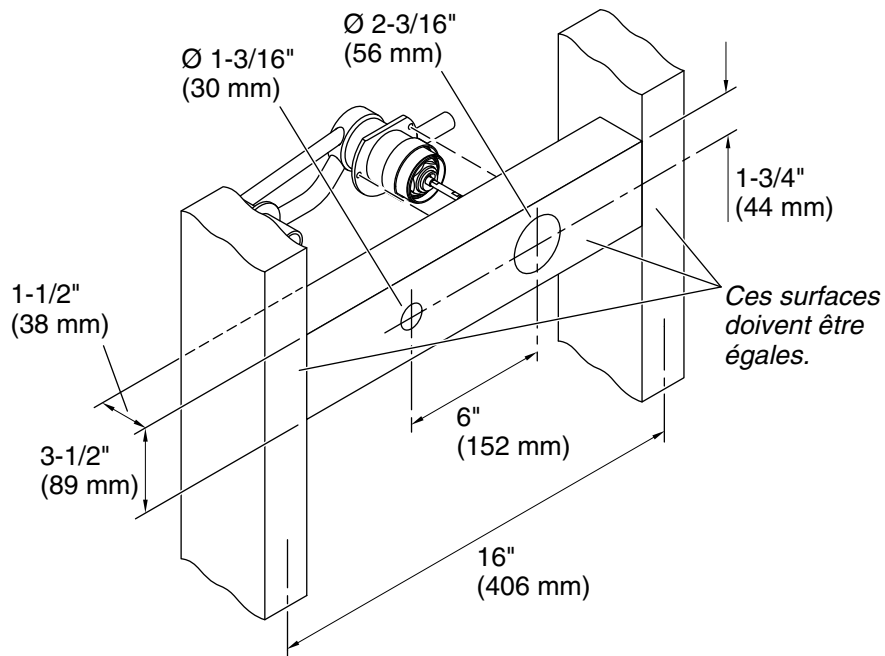
**REMARQUE:** Pour tout renseignement sur les pièces de rechange, visiter la page du produit à [www.kohler.com/serviceparts](http://www.kohler.com/serviceparts).

- Respecter tous les codes de plomberie et de bâtiment locaux.
- Fermer l'arrivée d'eau.

**Avant de commencer (cont.)**

- Inspecter avec précaution la tuyauterie d'alimentation afin d'y déceler des signes d'endommagement.
- Le protecteur de plâtre fourni sera également utilisé pour assembler le robinet. L'outil pour bec fourni sera également utilisé pour l'alignement de l'applique du bec.



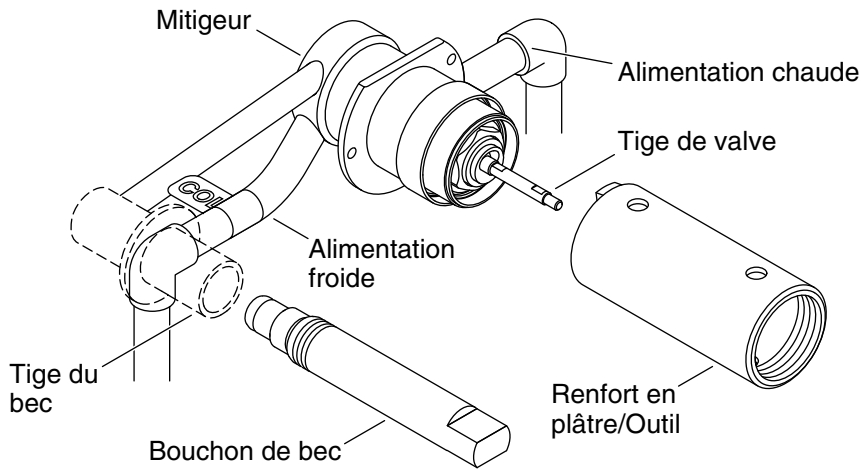


## 1. Préparer le site

**IMPORTANT!** L'illustration indique les emplacements des trous pour une poignée sur le côté droit. Inverser les trous pour une installation de la poignée sur le côté gauche.

**REMARQUE:** Le robinet mélangeur nécessite un cadrage et un support spéciaux.

- Construire le cadrage pour une installation de la poignée sur le côté droit selon les dimensions indiquées. Inverser les trous pour une installation de la poignée sur le côté gauche.
- Vérifier que le cadrage est de niveau et qu'il est parallèle au mur fini. Ajuster selon les besoins.
- Attacher sans serrer le robinet mélangeur au cadrage avec une ou deux vis à bois (non fournies).
- Utiliser la partie plate du robinet mélangeur comme guide pour mettre le robinet mélangeur de niveau.
- Serrer entièrement la ou les vis à bois.



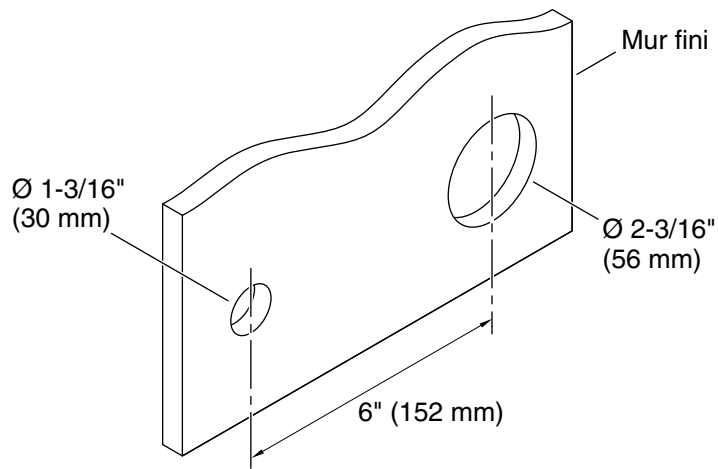
## 2. Installer les alimentations



**ATTENTION: Risque de dommages matériels.** Avant d'installer la poignée sur le côté droit ou le côté gauche du bec, connecter les alimentations au robinet mélangeur avec la conduite d'alimentation en eau **froide** plombée sur la **gauche** et la conduite d'alimentation en eau **chaude** plombée sur la **droite**. Pour une installation de la poignée sur le côté gauche, jeter l'étiquette d'eau froide sur le robinet mélangeur.

**IMPORTANT!** L'illustration indique une installation de poignée sur le côté droit. L'alimentation peut également être installée avec la poignée sur le côté gauche.

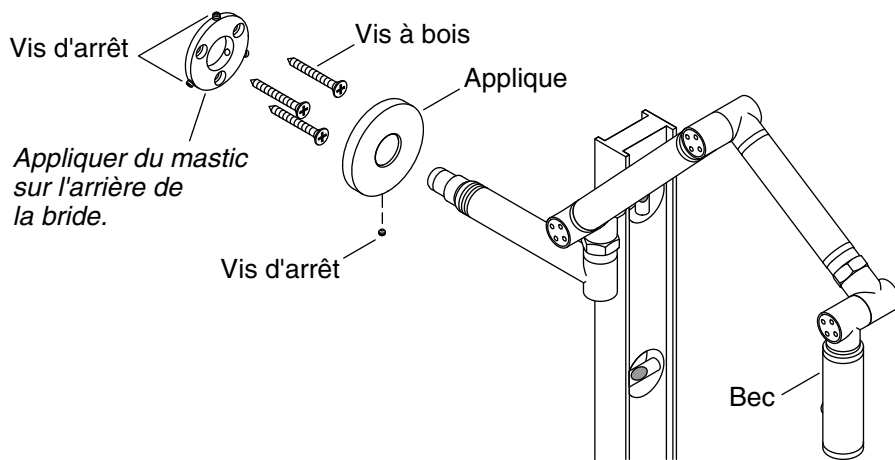
- Installer les conduites d'alimentation de 1/2" sur le robinet mélangeur avec la conduite d'alimentation en eau froide sur la gauche et la conduite d'alimentation en eau chaude sur la droite.
- Retirer temporairement et garder l'outil/le protecteur de plâtre et le bouchon du bec.
- Placer un seau devant le manche du bec puis ouvrir les alimentations en eau du robinet mélangeur.
- Ouvrir lentement la tige du robinet. Laisser l'eau chaude et froide s'écouler des alimentations en eau pendant 1 minute environ pour éliminer les débris.
- Fermer la tige du robinet. Inspecter tous les raccords pour y rechercher des fuites.
- Réattacher l'outil/le protecteur de plâtre et le bouchon du bec.



### 3. Terminer le mur fini

**IMPORTANT!** L'illustration indique les emplacements des trous pour une poignée sur le côté droit. Inverser les trous pour une installation de la poignée sur le côté gauche.

- Mesurer et marquer les centres des trous à 6" (152 mm) d'écart les uns des autres.
- Avec une scie cylindrique, percer un orifice de 1-3/16" (30 mm) pour le bec et un orifice de 2-3/16" (58 mm) pour la poignée.
- Terminer la finition murale.



#### 4. Installer le bec

**REMARQUE:** Des dispositifs d'ancrage sont requis lors de l'installation de matériaux comme du verre, des miroirs ou des carreaux céramiques. Les dispositifs d'ancrage et de fixation ne sont pas fournis. Choisir des dispositifs de fixation et d'ancrage adéquats pour le matériau de mur fini.

##### Si des dispositifs d'ancrage sont requis

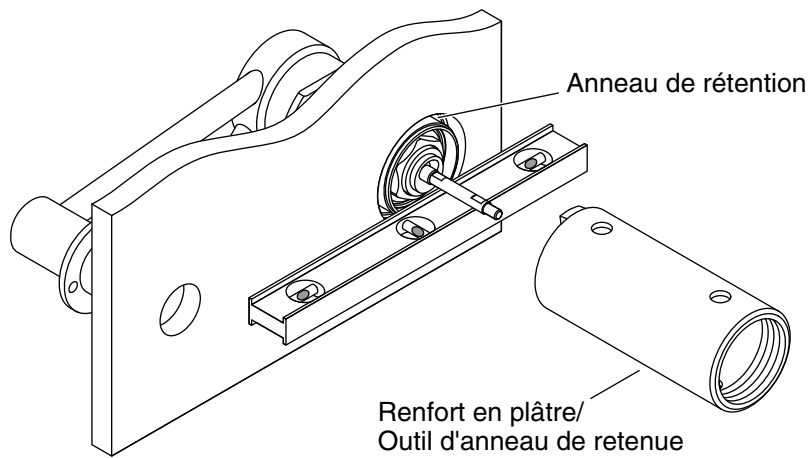
- Positionner la bride murale par-dessus le bouchon du bec (non illustré), avec les trois trous aux positions de 2, 6 et 10 heures. Marquer les emplacements des trous sur le mur.
- Percer des trous sur chaque repère, en utilisant la taille et le type de foret appropriés pour le matériau de mur fini.

##### Toutes les installations

- Confirmer qu'il y a trois vis de d'arrêt préinstallées dans la bride murale. S'assurer que les vis ne dépassent pas dans le diamètre intérieur de la bride murale. Ajuster selon les besoins en utilisant une clé hexagonale de 3/32".
- Appliquer du mastic de plombier ou un autre mastic approprié sur la surface arrière de la bride murale.
- Faire glisser la bride murale par-dessus le bouchon du bec (non illustré).
- Positionner les trois orifices sur la bride murale aux positions de 2, 6 et 10 heures, puis sécuriser la bride avec trois vis à bois ou d'autres dispositifs de fixation appropriés (non fournis).

### **Installer le bec (cont.)**

- Retirer le bouchon du bec.
- Placer temporairement l'applique sur la bride murale.
- Visser le bec sur le robinet mélangeur jusqu'à ce que le bec soit entièrement en place. Si nécessaire, dévisser le bec pour l'aligner.
- Faire glisser l'applique loin du mur fini pour accéder aux trous de vis d'arrêt.
- Serrer les trois vis d'arrêt dans la bride murale en utilisant une clé hexagonale de 3/32", jusqu'à ce que les vis d'arrêt entrent en contact avec le bec. Serrer entièrement les vis d'arrêt.
- Refaire glisser l'applique contre le mur fini et sur la bride murale.
- Avec le trou de la vis d'arrêt de l'applique sur la position de 6 heures, utiliser une clé hexagonale de 5/64" pour fixer l'applique en place avec une vis d'arrêt.



## 5. Ajuster le robinet - Poignée droite



**ATTENTION: Risque de dommages matériels.**  
L'alimentation en eau doit être coupée avant d'exécuter ces étapes.



**ATTENTION: Risque de dommages matériels.** Une butée se présente au niveau de l'extension maximale du corps du robinet. Pour éviter toute fuite, ne pas prolonger le robinet au-delà de cette butée. Si le robinet doit être prolongé davantage, installer le kit de raccordement profond 1107027. Si le robinet doit être renforcé davantage, installer le kit de raccordement peu profond 1107026.

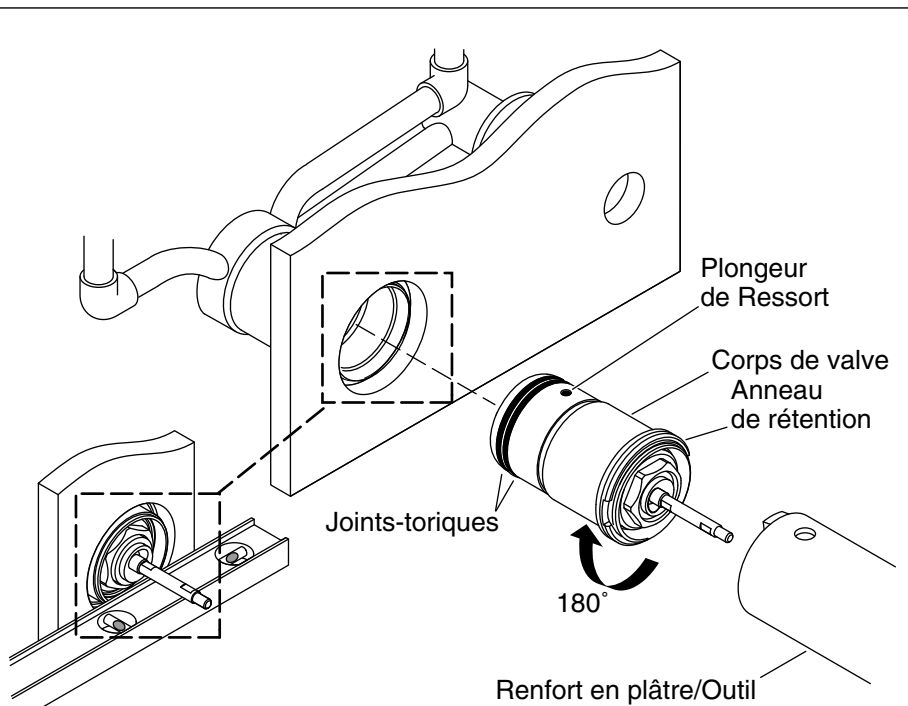
- Fermer l'arrivée d'eau.
- Retirer l'outil pour l'anneau de retenue/le protecteur de plâtre.
- Placer un seau sur la sortie du bec, puis ouvrir la poignée du robinet pour relâcher la pression d'eau. Laisser la poignée ouverte.
- Utiliser l'outil pour desserrer l'anneau de retenue fileté jusqu'à ce le corps du robinet soit dégagé du robinet mélangeur.
- Avec une règle droite, ajuster et maintenir le corps du robinet à ras avec le mur fini.

**REMARQUE:** Un tournevis inséré à travers les trous dans l'outil pour l'anneau de retenue/le protecteur de plâtre peut servir de poignée.

- Avec le corps du robinet à ras du mur fini, resserrer l'anneau de retenue avec l'outil.

**Ajuster le robinet - Poignée droite (cont.)**

- Fermer la poignée du robinet.
- Ouvrir l'alimentation en eau et vérifier que le robinet fonctionne correctement.



## 6. Ajuster le robinet - Poignée gauche



**ATTENTION: Risque de dommages matériels.**  
L'alimentation en eau doit être coupée avant d'exécuter ces étapes.



**ATTENTION: Risque de dommages matériels.** Une butée se présente au niveau de l'extension maximale du corps du robinet. Pour éviter toute fuite, ne pas prolonger le robinet au-delà de cette butée. Si le robinet doit être prolongé davantage, installer le kit de raccordement profond 1107027. Si le robinet doit être renforcé davantage, installer le kit de raccordement peu profond 1107026.

**IMPORTANT!** Exécuter ces étapes lorsque la poignée se trouve sur le côté gauche du bec.

- Fermer l'arrivée d'eau.
- Retirer l'outil pour l'anneau de retenue/le protecteur de plâtre.
- Placer un seau sur la sortie du bec, puis ouvrir la poignée du robinet pour relâcher la pression d'eau. Laisser la poignée ouverte.

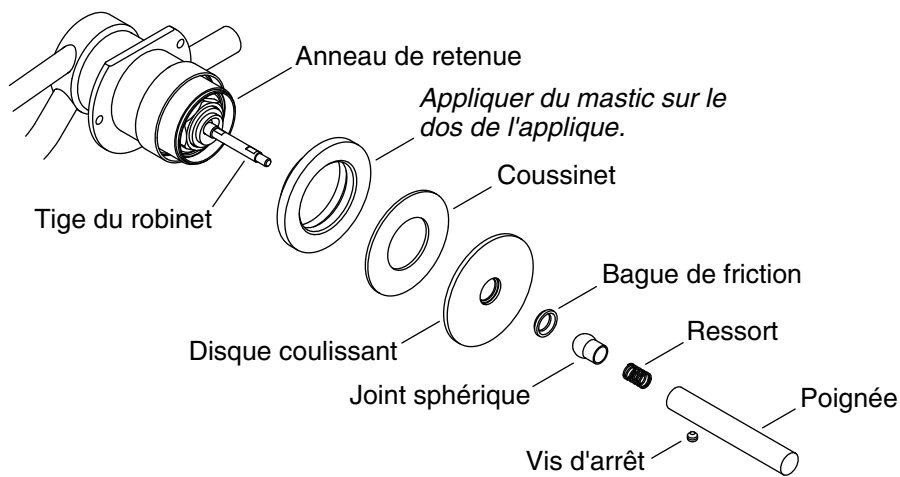


### Ajuster le robinet - Poignée gauche (cont.)

- Utiliser l'outil pour desserrer l'anneau de retenue fileté jusqu'à ce le corps du robinet soit dégagé du robinet mélangeur.
- Tirer sur le corps du robinet pour le faire sortir. L'outil pour l'anneau de retenue/le protecteur de plâtre peut être enfilé sur le corps du robinet afin d'obtenir une meilleure saisie lorsque l'on tire dessus pour le faire sortir.
- Faire tourner le corps du robinet de 180 degrés par rapport à la position d'origine. Ceci permet à la poignée de se déplacer vers le haut lorsque l'eau est mise en marche.
- Vérifier que les joints toriques situés sur le corps du robinet et le robinet mélangeur ne sont pas endommagés.
- Vérifier que le plongeur à ressort est installé et qu'il se trouve à ras de la surface du corps du robinet.
- Réinstaller le corps du robinet dans le robinet mélangeur jusqu'à ce qu'il soit entièrement en place.
- Avec une règle droite, ajuster et maintenir le corps du robinet à ras avec le mur fini.

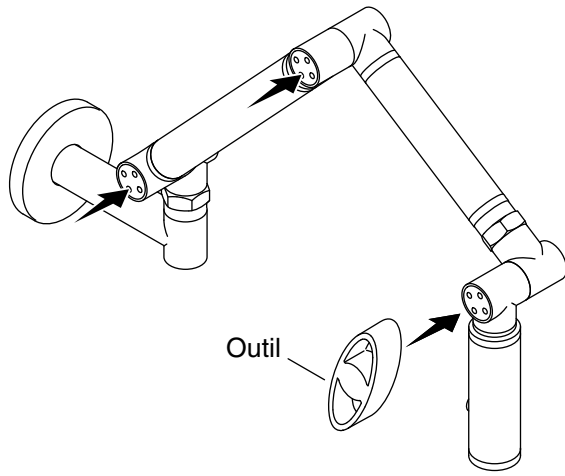
**REMARQUE:** Un tournevis inséré à travers les trous dans l'outil pour l'anneau de retenue/le protecteur de plâtre peut servir de poignée.

- Avec le corps du robinet à ras du mur fini, resserrer l'anneau de retenue avec l'outil.
- Fermer la poignée du robinet.
- Ouvrir l'alimentation en eau et vérifier que le robinet fonctionne correctement.



## 7. Installer la poignée

- Appliquer du mastic de plombier ou un autre agent d'étanchéité approprié sur l'arrière de l'applique.
- Visser l'applique de manière serrée contre le mur fini.
- Faire glisser les composants suivants sur la tige du robinet: coussinet, disque coulissant, bague de friction, joint sphérique, et ressort.
- Maintenir les composants en place sur la tige du robinet, puis visser la poignée sur la tige du robinet jusqu'à ce qu'elle soit entièrement en place.
- Dévisser la poignée jusqu'à ce que le trou de la vis d'arrêt soit orienté à la position de 6 heures.
- Utiliser une clé hexagonale de 5/64" pour entièrement serrer la vis d'arrêt dans la poignée.
- Ouvrir l'arrivée d'eau.
- Rechercher des fuites.



## 8. Ajuster le robinet

**REMARQUE:** Un ajustement pourrait être nécessaire si le déplacement du robinet est difficile ou s'il ne reste pas en place après utilisation.

- Insérer l'outil de réglage sur le joint qui nécessite un ajustement.
- Pour serrer le joint, tourner l'outil dans le sens des aiguilles d'une montre. Pour desserrer le joint (le robinet se déplacera plus librement), tourner l'outil dans le sens contraire des aiguilles d'une montre.

## Entretien et nettoyage

Pour obtenir les meilleurs résultats possibles, prendre ce qui suit en considération lors de l'entretien de votre produit KOHLER:

- Utiliser un détergent doux comme du liquide pour vaisselle et de l'eau chaude pour nettoyer. Ne pas utiliser de nettoyeurs abrasifs qui pourraient rayer ou ternir la surface.
- Lire l'étiquette du produit de nettoyage avec le plus grand soin pour assurer que celui-ci peut être utilisé sans danger sur le matériau.
- Toujours tester la solution de nettoyage sur une surface non visible avant de l'appliquer sur l'ensemble de la surface.
- Ne pas laisser les nettoyeurs reposer ou tremper sur la surface.

## Entretien et nettoyage (cont.)

- Essuyer les surfaces et rincer complètement avec de l'eau immédiatement après l'application du nettoyant. Rincer et sécher tout éclaboussement sur les surfaces avoisinantes.
- Utiliser une éponge ou un chiffon doux et humide. Ne jamais utiliser de matériau abrasif tel qu'une brosse ou une éponge à récurer pour nettoyer les surfaces.

Pour obtenir des informations détaillées sur le nettoyage et les produits à considérer, consulter le site [www.kohler.com/clean](http://www.kohler.com/clean). Pour commander des informations sur l'entretien & le nettoyage, appeler le 1-800-456-4537.

## Garantie

### Garantie limitée à vie du robinet KOHLER®

Kohler Co. garantit que les robinets\* fabriqués après le 1er janvier 1997 ne fuient pas et ne gouttent pas lors d'une utilisation domestique normale, aussi longtemps que l'acquéreur d'origine demeure propriétaire de son domicile. Si le robinet goutte ou présente des fuites lors d'une utilisation normale, Kohler Co. enverra par courrier à l'acheteur, sans frais, la cartouche nécessaire pour réparer le robinet. La présente garantie s'applique uniquement aux robinets Kohler installés aux États-Unis, au Canada ou au Mexique ("Amérique du Nord").

Kohler Co. garantit également toutes les autres caractéristiques du robinet ou des accessoires ("Robinet")\*, (à l'exception des finitions dorées, non-Vibrant®, non chromées) contre tout vice de matériau et de fabrication lors d'une utilisation domestique normale, aussi longtemps que l'acquéreur d'origine demeure propriétaire de son domicile. La présente garantie s'applique uniquement aux robinets Kohler installés en Amérique du Nord. Si un vice est décelé lors d'une utilisation domestique normale, Kohler Co. choisira, à sa discrétion, la réparation, le remplacement ou la rectification appropriée. Cette garantie n'offre pas de protection contre les dommages dus à un accident, une mauvaise utilisation ou un mauvais traitement. Un entretien et un nettoyage inadéquats annulent la garantie\*\*. Une preuve d'achat (ticket de caisse d'origine) doit être présentée à Kohler Co. avec toutes les réclamations au titre de la garantie. Kohler Co. n'est pas responsable des frais de main-d'œuvre, d'installation ou de tout autre frais particulier, accessoire ou indirect. La responsabilité de Kohler Co. ne dépassera en aucun cas le prix d'achat du robinet.

Si le robinet est utilisé dans un commerce ou s'il est installé en dehors d'Amérique du Nord, ou si la finition est dorée, non-Vibrant, peinte ou revêtue d'une poudre, Kohler Co. garantit le robinet contre tout vice de

## **Garantie (cont.)**

matériau et de fabrication pendant un (1) an à partir de la date d'installation du produit, selon les modalités de la garantie limitée standard d'un an de Kohler Co.

Pour toute réclamation au titre de la présente garantie, contacter Kohler Co. par l'intermédiaire du vendeur, plombier, centre de rénovation ou revendeur par internet, ou bien par écrit à l'adresse suivante Kohler Co., Attn.: Customer Care Center, 444 Highland Drive, Kohler, WI 53044, USA. Fournir tous les renseignements pertinents à la réclamation, dont notamment une description complète du problème et du produit, le numéro de modèle, la couleur, la finition, la date et le lieu d'achat du produit. Joindre également l'original de la facture. Pour de plus amples renseignements ou pour obtenir les coordonnées du service de réparation le plus proche, appeler le 1-800-4-KOHLER (1-800-456-4537) à partir des É.-U. et du Canada, et le 001-800-456-4537 à partir du Mexique, ou consulter le site [www.kohler.com](http://www.kohler.com) aux É.-U., [www.ca.kohler.com](http://www.ca.kohler.com) à partir du Canada, ou [www.mx.kohler.com](http://www.mx.kohler.com) au Mexique.

**KOHLER CO. ET/OU LE REVENDEUR FOURNISSENT CES GARANTIES AU LIEU ET PLACE DE TOUTES AUTRES GARANTIES, EXPRESSES OU TACITES, Y COMPRIS LES GARANTIES TACITES DE COMMERCIALITÉ ET D'ADAPTATION À UN USAGE PARTICULIER. KOHLER CO. ET/OU LE REVENDEUR DÉCLINENT TOUTE RESPONSABILITÉ CONTRE LES DOMMAGES PARTICULIERS, ACCESSOIRES OU INDIRECTS. Certains états et provinces ne permettent pas de limite sur la durée de la garantie tacite, ni l'exclusion ou la limite des dommages, et, par conséquent, lesdites limites et exclusions peuvent ne pas s'appliquer à votre cas. La présente garantie accorde au consommateur des droits juridiques particuliers. Vous pouvez également avoir d'autres droits qui varient d'un état ou d'une province à l'autre.**

**Ceci constitue la garantie écrite exclusive de Kohler Co.**

\*Les robinets Trend®, la colonne MasterShower®, les systèmes et éléments BodySpa; la colonne, les systèmes et les éléments WaterHaven®; les robinets Tripoint®, les finitions or poli, non-Vibrant et peintes ou à revêtement de poudre, les raccords, tous les articles de la section "Fixture Related" du catalogue des prix des robinets Kohler, les drains, les crépines d'évier Duostrainer®, les distributeurs de savon/lotion, le haut-parleur sans fil Moxie® et les robinets utilisés dans des installations commerciales et en dehors de l'Amérique du Nord sont couverts par la garantie limitée d'un an de Kohler Co.

\*\*Ne jamais utiliser de nettoyants contenant des agents abrasifs, de

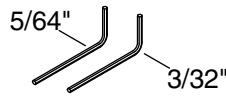
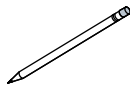
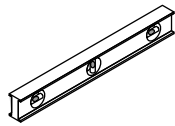
**Garantie (cont.)**

l'ammoniaque, de l'eau de Javel, des acides, des cires, de l'alcool, des dissolvants ou autres produits non recommandés pour le chrome. Ceci annulera la garantie.

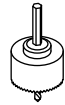
# Guía de instalación y cuidado

## Grifería de montaje a la pared para fregadero

### Herramientas y materiales



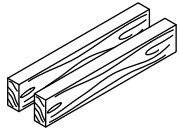
Tornillos para  
madera del #10



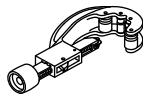
Corona perforadora  
de 1-3/16" y 2-3/16"



Suelda



Listones  
de 2x4



Cortatubos



Masilla de  
plomería



Soplete de  
propano

### Antes de comenzar



**PRECAUCIÓN: Riesgo de daños a la propiedad.** Antes de poner el acabado a la pared, asegúrese de que las líneas de suministro estén conectadas a la válvula mezcladora con la línea de agua fría a plomo a la izquierda y la línea de agua caliente a plomo a la derecha.

**¡IMPORTANTE!** A menos que se indique otra cosa, las ilustraciones en este documento muestran la instalación de una manija a la derecha del surtidor. La válvula ha sido diseñada para que la manija sea instalada a la derecha. Se deben seguir pasos especiales para colocar la manija a la izquierda de la válvula.

**AVISO:** Para instalaciones en una pared exterior, asegúrese de instalar el aislamiento de pared correcto para evitar que las tuberías se congelen.

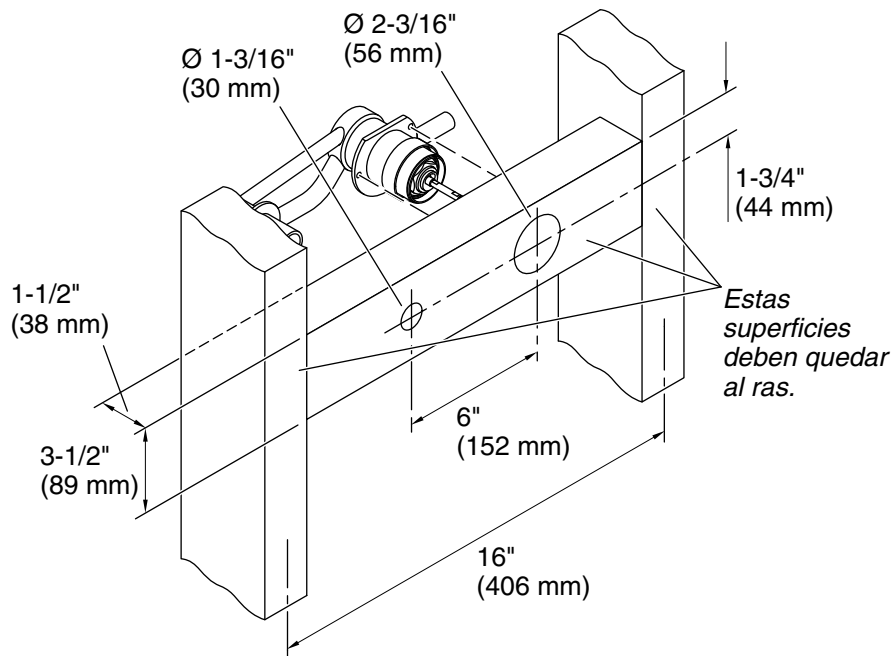
**NOTA:** Para consultar información sobre piezas de repuesto, visite la página de su producto en [www.kohler.com/serviceparts](http://www.kohler.com/serviceparts).

□ Cumpla todos los códigos locales de plomería y construcción.

**Antes de comenzar (cont.)**

- Cierre el suministro de agua.
- Revise con cuidado la tubería de suministro para verificar que no esté dañada.
- El protector de yeso que incluimos también se usa para ensamblar la válvula. La herramienta para el surtidor que incluimos también se usa para alinear el chapetón del surtidor.



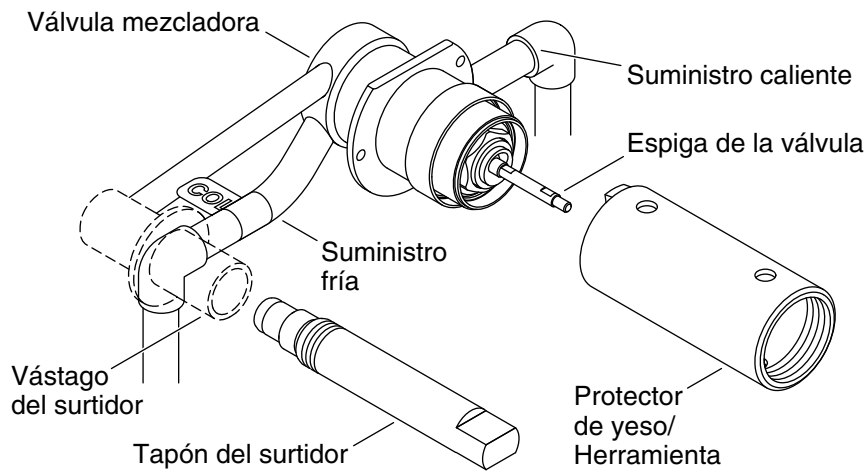


## 1. Prepare el sitio

**¡IMPORTANTE!** La ilustración muestra los lugares para los orificios para una manija a la derecha. Invierta los orificios para instalaciones con manija a la izquierda.

**NOTA:** La válvula mezcladora requiere estructura y soporte especiales.

- Construya una estructura de postes para la instalación con la manija a la derecha, de acuerdo a las dimensiones que se muestran. Invierta los orificios para instalaciones con manija a la izquierda.
- Verifique que la estructura construida esté nivelada y que vaya a quedar paralela a la pared acabada. Haga los ajustes necesarios.
- Fije sin apretar la válvula mezcladora a la estructura de postes con uno o dos tornillos para madera (no se incluyen).
- Utilizando la parte plana de la válvula mezcladora como guía, nivele la válvula mezcladora.
- Apriete bien los tornillos para madera.



## 2. Instale los suministros



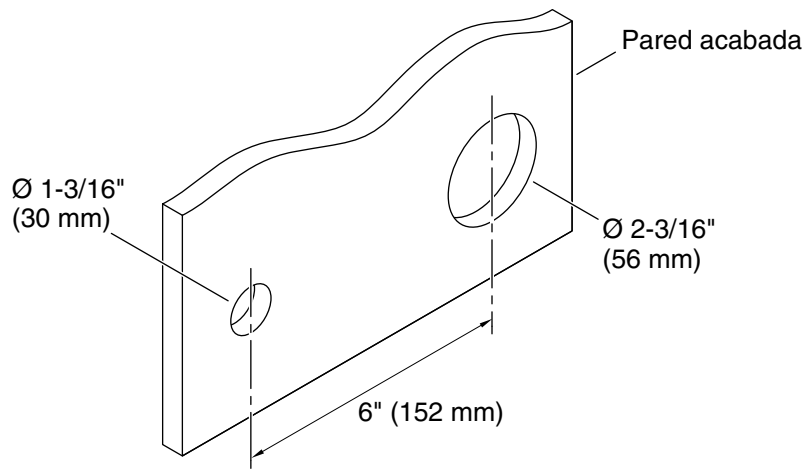
**PRECAUCIÓN: Riesgo de daños a la propiedad.** Al instalar la manija en el lado derecho o izquierdo del surtidor, conecte los suministros a la válvula mezcladora con la línea de suministro de agua **fría** a plomo a la **izquierda** y la línea de suministro de agua **caliente** a plomo a la **derecha**. En el caso de instalación de la manija al lado izquierdo, no ponga atención a la etiqueta de agua fría en la válvula mezcladora.

**¡IMPORTANTE!** La ilustración muestra la instalación de una manija a la derecha. El suministro también se puede instalar con la manija en el lado izquierdo.

- Instale líneas de suministro de 1/2" a la válvula mezcladora, con el suministro de agua fría a la izquierda y el de agua caliente a la derecha.
- Retire temporalmente la herramienta para protección del yeso y el tapón del surtidor, y guárdelos.
- Coloque una cubeta frente al vástago del surtidor, luego abra los suministros de agua a la válvula mezcladora.
- Lentamente abra el vástago de la válvula. Haga circular agua caliente y fría de los suministros de agua durante aproximadamente 1 minuto para que salgan los residuos.
- Cierre el vástago de la válvula. Revise que no haya fugas en las conexiones.

**Instale los suministros (cont.)**

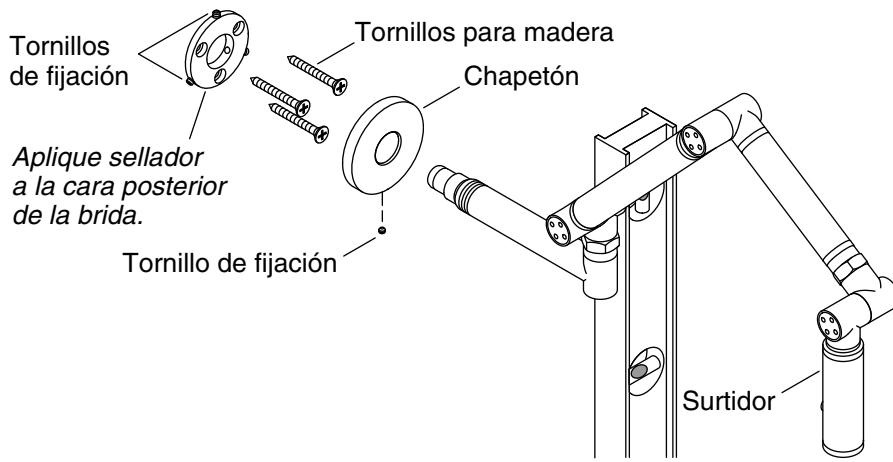
- Vuelva a instalar la herramienta para protección del yeso y el tapón del surtidor.



### 3. Termine la pared acabada

**¡IMPORTANTE!** La ilustración muestra los lugares para los orificios para una manija a la derecha. Invierta los orificios para instalaciones con manija a la izquierda.

- Mida y marque los centros de los orificios a 6" (152 mm) uno del otro.
- Con una corona perforadora taladre un orificio de 1-3/16" (30 mm) para el surtidor y un orificio de 2-3/16" (58 mm) para la manija.
- Termine la pared acabada.



#### 4. Instale el surtidor

**NOTA:** Es necesario usar anclajes al instalar en materiales como vidrio, espejo, y azulejos. Los anclajes y los herrajes no se incluyen. Seleccione herrajes y anclajes adecuados para el material de la pared acabada.

##### Si se requieren anclajes

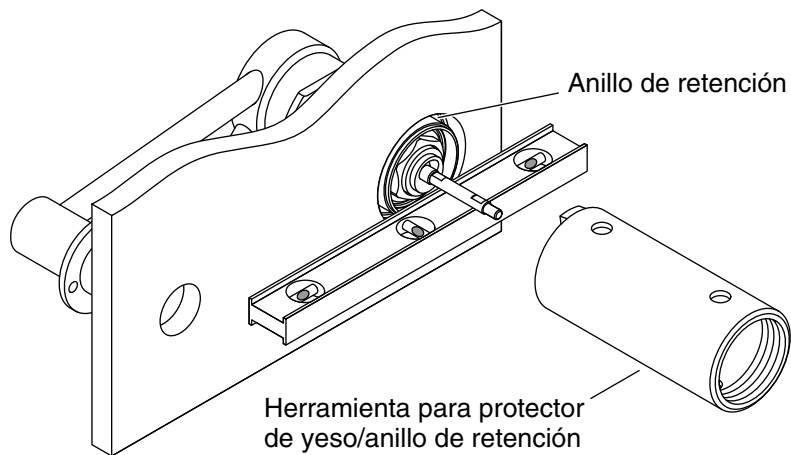
- Coloque la brida mural sobre el tapón del surtidor (no se muestra), con los tres orificios en las posiciones del reloj de las 2, 6, y 10. Marque la ubicación de los orificios en la pared.
- Taladre un orificio en cada una de las marcas con brocas del tamaño y del tipo adecuados para el material de la pared acabada.

##### Todas las instalaciones

- Verifique que haya tres tornillos de fijación ya instalados en la brida mural. Asegúrese de que estos no sobresalgan hacia el diámetro interior de la brida mural. Ajuste según sea necesario con una llave hexagonal de 3/32".
- Aplique masilla de plomería u otro sellador adecuado a la superficie posterior de la brida mural.
- Deslice la brida mural sobre el tapón del surtidor (no se muestra).
- Coloque los tres orificios en la brida mural en las posiciones del reloj de las 2, 6, y 10, y luego fije la brida con tres tornillos para madera y otros herrajes adecuados (no se incluyen).

### **Instale el surtidor (cont.)**

- Retire el tapón del surtidor.
- Coloque temporalmente el chapetón en la brida mural.
- Enrosque el surtidor en la válvula mezcladora hasta que el surtidor quede completamente asentado. Si es necesario, desenrosque el surtidor para alinearlos.
- Separe el chapetón de la pared acabada para tener acceso a los orificios para los tornillos de fijación.
- Con una llave hexagonal de 3/32", apriete los tres tornillos de fijación en la brida mural hasta que los tornillos de fijación hagan contacto con el surtidor. Apriete bien los tornillos de fijación.
- Deslice el chapetón contra la pared acabada y sobre la brida mural.
- Con el orificio para el tornillo de fijación del chapetón en la posición de las 6, use una llave hexagonal de 5/64" para fijar el chapetón con el tornillo de fijación.



## 5. Ajuste la válvula - Manija derecha



**PRECAUCIÓN: Riesgo de daños a la propiedad.** El suministro de agua debe estar cerrado antes de llevar a cabo estos pasos.



**PRECAUCIÓN: Riesgo de daños a la propiedad.** En la máxima extensión del cuerpo de la válvula se encuentra un retén. Para evitar fugas, no permita que la válvula sobresalga más allá de este retén. Si la válvula debe sobresalir más, instale un kit de instalación profunda 1107027. Si la válvula debe quedar más adentro, instale un kit de instalación poco profunda 1107026.

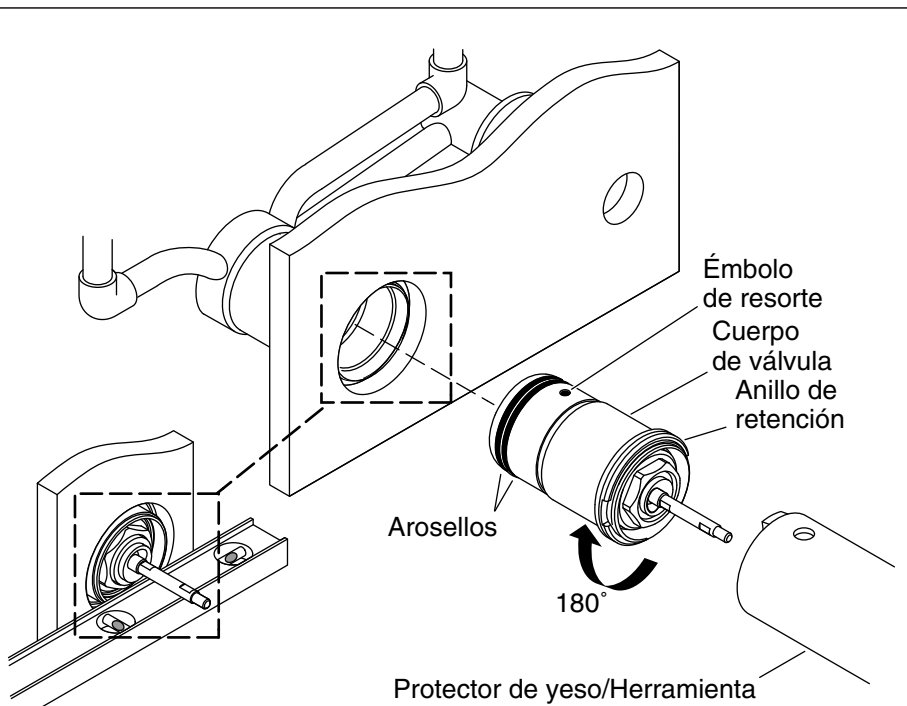
- Cierre el suministro de agua.
- Retire la herramienta para protección del yeso/para el anillo de retención.
- Coloque una cubeta a la salida del surtidor, y luego abra la manija de la válvula para aliviar la presión de agua. Deje abierta la manija.
- Con la herramienta suelte el anillo de retención roscado hasta que el cuerpo de la válvula se desenganche de la válvula mezcladora.
- Con un filo recto, ajuste y sostenga el cuerpo de la válvula al ras con la pared acabada.

**NOTA:** Un destornillador introducido a través de los orificios de la herramienta para protección del yeso/para el anillo de retención, puede funcionar como manija.

**Ajuste la válvula - Manija derecha (cont.)**

- Con el cuerpo de la válvula al ras con la pared acabada, vuelva a apretar el anillo de retención con la herramienta.
- Cierre la manija de la válvula.
- Abra el suministro del agua y verifique que la válvula funcione correctamente.





## 6. Ajuste la válvula - Manija izquierda



**PRECAUCIÓN: Riesgo de daños a la propiedad.** El suministro de agua debe estar cerrado antes de llevar a cabo estos pasos.



**PRECAUCIÓN: Riesgo de daños a la propiedad.** En la máxima extensión del cuerpo de la válvula se encuentra un retén. Para evitar fugas, no permita que la válvula sobresalga más allá de este retén. Si la válvula debe sobresalir más, instale un kit de instalación profunda 1107027. Si la válvula debe quedar más adentro, instale un kit de instalación poco profunda 1107026.

**¡IMPORTANTE!** Siga estos pasos cuando la manija se vaya a colocar al lado izquierdo del surtidor.

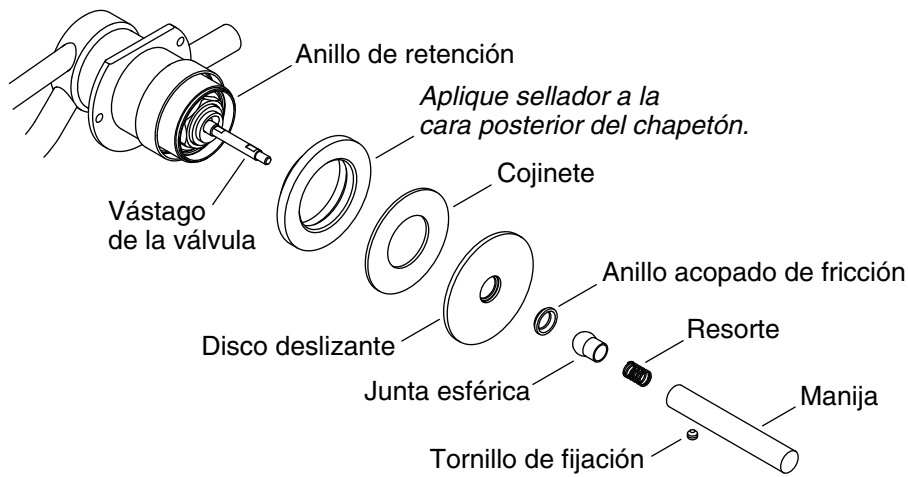
- Cierre el suministro de agua.
- Retire la herramienta para protección del yeso/para el anillo de retención.
- Coloque una cubeta a la salida del surtidor, y luego abra la manija de la válvula para aliviar la presión de agua. Deje abierta la manija.

### Ajuste la válvula - Manija izquierda (cont.)

- Con la herramienta suelte el anillo de retención roscado hasta que el cuerpo de la válvula se desenganche de la válvula mezcladora.
- Extraiga el cuerpo de la válvula. La herramienta para protección del yeso/ para el anillo de retención se puede enroscar en el cuerpo de la válvula para sujetarlo mejor al extraerla.
- Gire el cuerpo de la válvula 180 grados de su posición original. Esto permite que la manija se mueva hacia arriba al abrir el agua.
- Verifique que los arosellos, tanto en el cuerpo de la válvula como en la válvula mezcladora, no estén dañados.
- Verifique que el émbolo de resorte esté instalado y al ras con la superficie del cuerpo de la válvula.
- Vuelva a instalar el cuerpo de la válvula en la válvula mezcladora hasta que quede bien asentado.
- Con un borde recto, ajuste y sostenga el cuerpo de la válvula al ras con la pared acabada.

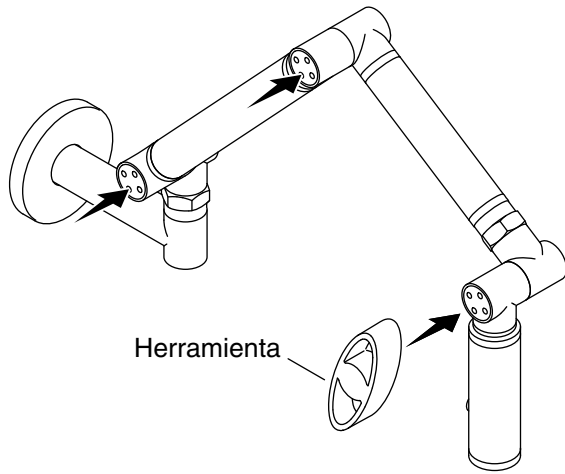
**NOTA:** Un destornillador introducido a través de los orificios de la herramienta para protección del yeso/para el anillo de retención, puede funcionar como manija.

- Con el cuerpo de la válvula al ras con la pared acabada, vuelva a apretar el anillo de retención con la herramienta.
- Cierre la manija de la válvula.
- Abra el suministro del agua y verifique que la válvula funcione correctamente.



## 7. Instale la manija

- Aplique masilla de plomería u otro sellador adecuado a la cara posterior del chapetón.
- Enrosque el chapetón contra la pared acabada.
- Deslice los siguientes componentes en el vástago de la válvula: cojinete, disco deslizante, anillo acopado de fricción, junta esférica y resorte.
- Sostenga los componentes en su lugar en el vástago de la válvula, luego enrosque la manija en el vástago de la válvula hasta que quede asentada en su lugar.
- Desenrosque la manija hasta que el orificio para el tornillo de fijación quede apuntando hacia la posición de las 6 del reloj.
- Con una llave hexagonal de 5/64" apriete bien el tornillo de fijación en la manija.
- Abra el suministro de agua.
- Verifique que no haya fugas.



## 8. Ajuste la grifería

**NOTA:** Puede ser necesario hacer ajustes si es difícil mover la grifería o si no permanece en su lugar después de utilizarla.

- Inserte la herramienta de ajuste en la junta que requiera ajuste.
- Para apretar la junta, gire la herramienta hacia la derecha. Para aflojar la junta, (la grifería se moverá con menos dificultad), gire la herramienta hacia la izquierda.

## Cuidado y limpieza

Para obtener los mejores resultados tenga presente lo siguiente al limpiar su producto KOHLER:

- Para limpiar utilice solamente un detergente suave, como líquido para lavar la vajilla y agua tibia. No utilice limpiadores abrasivos que puedan rayar u opacar la superficie.
- Lea atentamente la etiqueta del producto de limpieza para asegurarse de que no presente riesgos al usarse en el material.
- Siempre pruebe la solución de limpieza en un área oculta antes de aplicarla a toda la superficie.
- No deje los limpiadores durante tiempo prolongado en la superficie.

## Cuidado y limpieza (cont.)

- Limpie con un trapo y enjuague completa e inmediatamente con agua después de aplicar limpiadores. Enjuague y seque las superficies cercanas que hayan sido rociadas.
- Utilice una esponja o un paño suave y húmedo. Para limpiar las superficies, nunca utilice materiales abrasivos como cepillos o estropajos de tallar.

Para obtener información detallada de limpieza y de productos a considerar, visite [www.kohler.com/clean](http://www.kohler.com/clean). Para solicitar información sobre el cuidado y la limpieza, llame al 1-800-456-4537.

## Garantía

### Garantía limitada de por vida para la grifería KOHLER®

Kohler Co. garantiza la grifería\* fabricada después del 1 de enero de 1997 contra problemas de fugas y goteo durante el uso residencial normal, mientras el comprador consumidor original sea el propietario de su casa. En caso de que la grifería presente fugas o goteo durante el uso normal, Kohler Co. enviará por correo y sin ningún cargo al comprador original, el cartucho necesario para que la Grifería funcione correctamente. Esta garantía se aplica solo a la grifería Kohler instalada en los Estados Unidos de América, Canadá o México ("Norteamérica").

Kohler Co. también garantiza todas las demás características de la grifería o accesorios ("Grifería")\*, (excepto los acabados de oro, que no sean Vibrant®, o que no sean de cromo) contra defectos de material y mano de obra, durante el uso residencial normal, mientras el comprador consumidor original sea el propietario de su casa. Esta garantía se aplica solo a la grifería Kohler instalada en Norteamérica. Si se encuentra un defecto durante el uso residencial normal, Kohler Co., a su criterio, reparará, proveerá un repuesto o producto, o realizará los ajustes pertinentes. Esta garantía no cubre daños causados por accidentes, abuso o uso indebido del producto. El cuidado y la limpieza indebidos anulan la garantía.\*\* Al presentar las reclamaciones de garantía a Kohler Co., es necesario incluir el comprobante de compra (recibo de venta original). Kohler Co. no se hace responsable de costos de mano de obra, instalación u otros costos incidentales o indirectos. En ningún caso la responsabilidad de Kohler Co. excederá el precio de compra de la grifería.

Si la grifería se utiliza comercialmente o si se instala fuera del territorio de Norteamérica, o si el acabado es de oro, no es Vibrant o es un acabado de color con revestimiento de pintura o polvo, Kohler Co. garantiza la grifería contra defectos de material y mano de obra durante un (1) año a partir de la fecha de instalación, bajo la garantía

## **Garantía (cont.)**

limitada de un año estándar de Kohler Co.

Si usted considera que tiene una reclamación en virtud de la garantía, comuníquese con Kohler Co. a través de su distribuidor, contratista de plomería, centro de remodelación o distribuidor por Internet, o escriba a Kohler Co., Attn.: Customer Care Center, 444 Highland Drive, Kohler, WI 53044, USA. Asegúrese de proporcionar toda la información pertinente a su reclamación, incluida una descripción completa del problema, el producto, el número de modelo, el color, el acabado, la fecha de compra y el lugar de compra del producto. También incluya el recibo original. Para consultar información adicional, o para obtener el nombre y la dirección del lugar de reparación y servicio más cercano a usted, llame al 1-800-4KOHLER (1-800-456-4537) en los EE.UU. y Canadá, y al 001-800-456-4537 en México, o visite [www.kohler.com](http://www.kohler.com) en los EE.UU., [www.ca.kohler.com](http://www.ca.kohler.com) en Canadá, o [www.mx.kohler.com](http://www.mx.kohler.com) en México.

**KOHLER CO. Y/O EL VENDEDOR OFRECEN ESTAS GARANTÍAS QUE SUSTITUYEN A TODAS LAS DEMÁS GARANTÍAS, EXPRESAS O IMPLÍCITAS, INCLUIDAS, ENTRE OTRAS, LAS GARANTÍAS IMPLÍCITAS DE COMERCIALIZACIÓN E IDONEIDAD PARA UN USO DETERMINADO. KOHLER CO. Y/O EL VENDEDOR DESCARGAN TODA RESPONSABILIDAD POR CONCEPTO DE DAÑOS PARTICULARES, INCIDENTALES O INDIRECTOS. Algunos estados/algunas provincias no permiten limitaciones en cuanto a la duración de una garantía implícita o a la exclusión o limitación de dichos daños, por lo que es posible que estas limitaciones y exclusiones no se apliquen a su caso. Esta garantía otorga al consumidor ciertos derechos legales específicos. Además, usted puede tener otros derechos que varían de estado a estado y de provincia a provincia.**

**Esta es la garantía exclusiva por escrito de Kohler Co.**

\*La grifería Trend<sup>®</sup>, la torre MasterShower<sup>®</sup>, los sistemas y los componentes BodySpa, la torre, los sistemas y los componentes WaterHaven<sup>®</sup>, las griferías Tripoint<sup>®</sup>, el acabado en oro pulido, que no sea Vibrant, y los acabados con revestimiento de pintura o en polvo, las conexiones, todos los artículos contenidos en la sección "Fixture Related" de la lista de precios de la grifería Kohler, los desagües, las coladeras de fregadero Duostrainer<sup>®</sup>, los dispensadores de jabón y loción, la bocina inalámbrica Moxie<sup>®</sup>; y la grifería de uso comercial e instalada fuera del territorio de Norteamérica, están cubiertos por la garantía limitada de un año de Kohler Co.

\*\*Nunca utilice limpiadores que contengan limpiadores abrasivos, amoníaco, blanqueador, ácidos, ceras, alcohol, disolventes u otros

**Garantía (cont.)**

productos no recomendados para el cromo. Esto anulará la garantía.

USA/Canada: 1-800-4KOHLER

México: 001-800-456-4537

[kohler.com](http://kohler.com)

THE BOLD LOOK  
OF **KOHLER**®

©2015 Kohler Co.

1095311-2-J