

## Features

- Single lever handle is simple to use and makes adjusting water temperature easy
- One-piece, self-contained ceramic disc valve allows for both volume and temperature control
- 1.2 gpm (4.5 lpm) maximum flow rate at 60 psi (4.14 bar)
- KOHLER® ceramic disc valves exceed industry longevity standards for a lifetime of durable performance
- Box includes: Assembled faucet, supply lines, clicker drain
- This product can help a building earn Water Efficiency points in LEED® Green Building Rating System
- Coordinates with other products in the Elate collection
- This product replaces K-99491-4

## Material

- Premium material construction for durability and reliability

## Installation

- For single-hole or 4" (102 mm) centers
- Simplified faucet installation; mounting hardware requires no special tools

## Optional Products/Accessories

1394616 Single hole escutcheon kit



<b>ADA</b>	<b>CSA B651</b>	<b>OBC</b>
------------	-----------------	------------

## Codes/Standards

ASME A112.18.1/CSA B125.1  
NSF/ANSI/CAN 61  
NSF/ANSI/CAN 372  
DOE - Energy Policy Act 1992  
EPA WaterSense®  
California Energy Commission (CEC)  
ADA  
ICC/ANSI A117.1  
CSA B651  
OBC

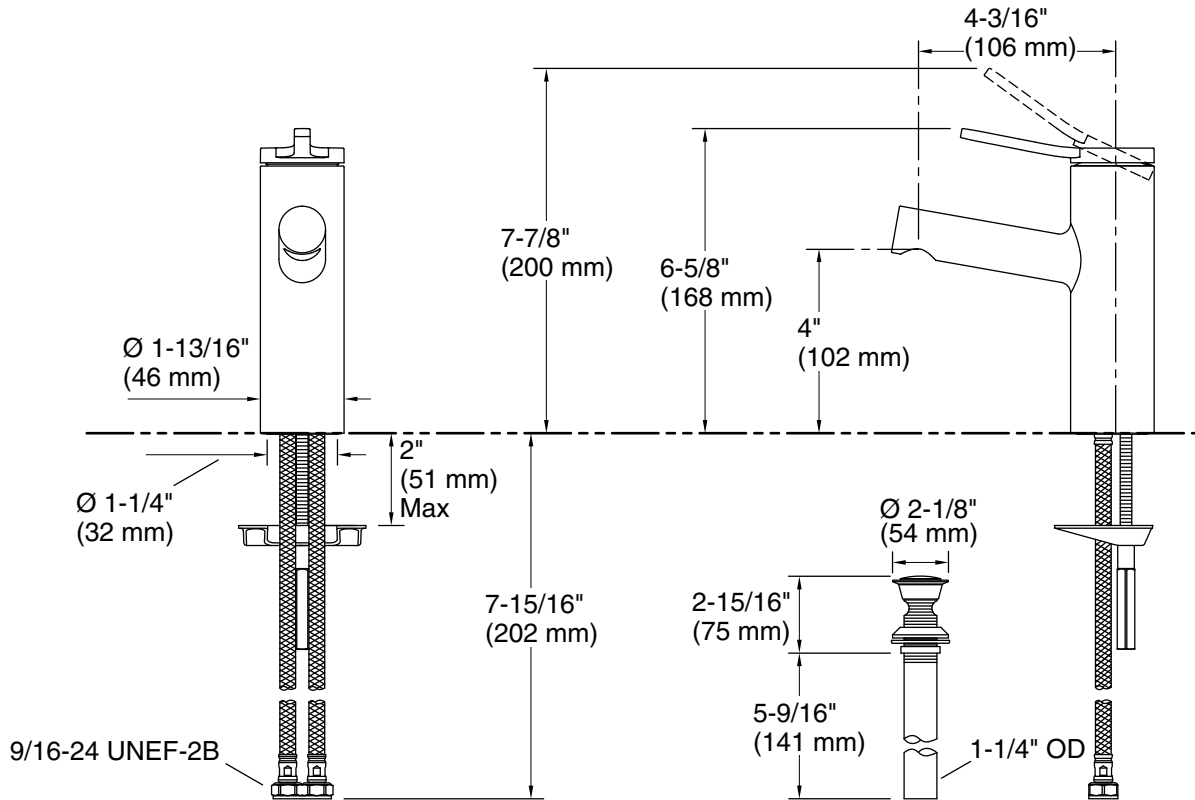
## KOHLER® Faucet Lifetime Limited Warranty

See website for detailed warranty information.

## Available Colors/Finishes

*Color tiles intended for reference only.*

Color	Code	Description
	CP	Polished Chrome
	BN	Vibrant® Brushed Nickel
	BL	Matte Black
	2MB	Vibrant® Brushed Moderne Brass



## Technical Information

All product dimensions are nominal.

Faucet flow rate: 1.2 gal/min (4.5 l/min)

Drain included: Yes

Drain with overflow: Yes

Drain tailpiece included: No

## Spout:

Spout reach:  $4\text{-}3/16\text{"}$  (106 mm)

## Notes

Install this product according to the installation instructions.

ADA, OBC, CSA B651 compliant when installed to the specific requirements of these regulations.