

CHICAGO FAUCETS
a Geberit company

2100 South Clearwater Drive
Des Plaines, IL 60018
Phone: 847-803-5000
Fax: 847-803-5454
www.chicagofaucets.com

ROUGH-IN

FITTING NO.

445-PVBCP

BY: SID DATE: 11-14-07
CHK: [Signature] REV: 08-30-10

SUBMITTED MODEL NO.

FOR TECHNICAL ASSISTANCE
1-800-TEC-TRUE (1-800-832-8783)

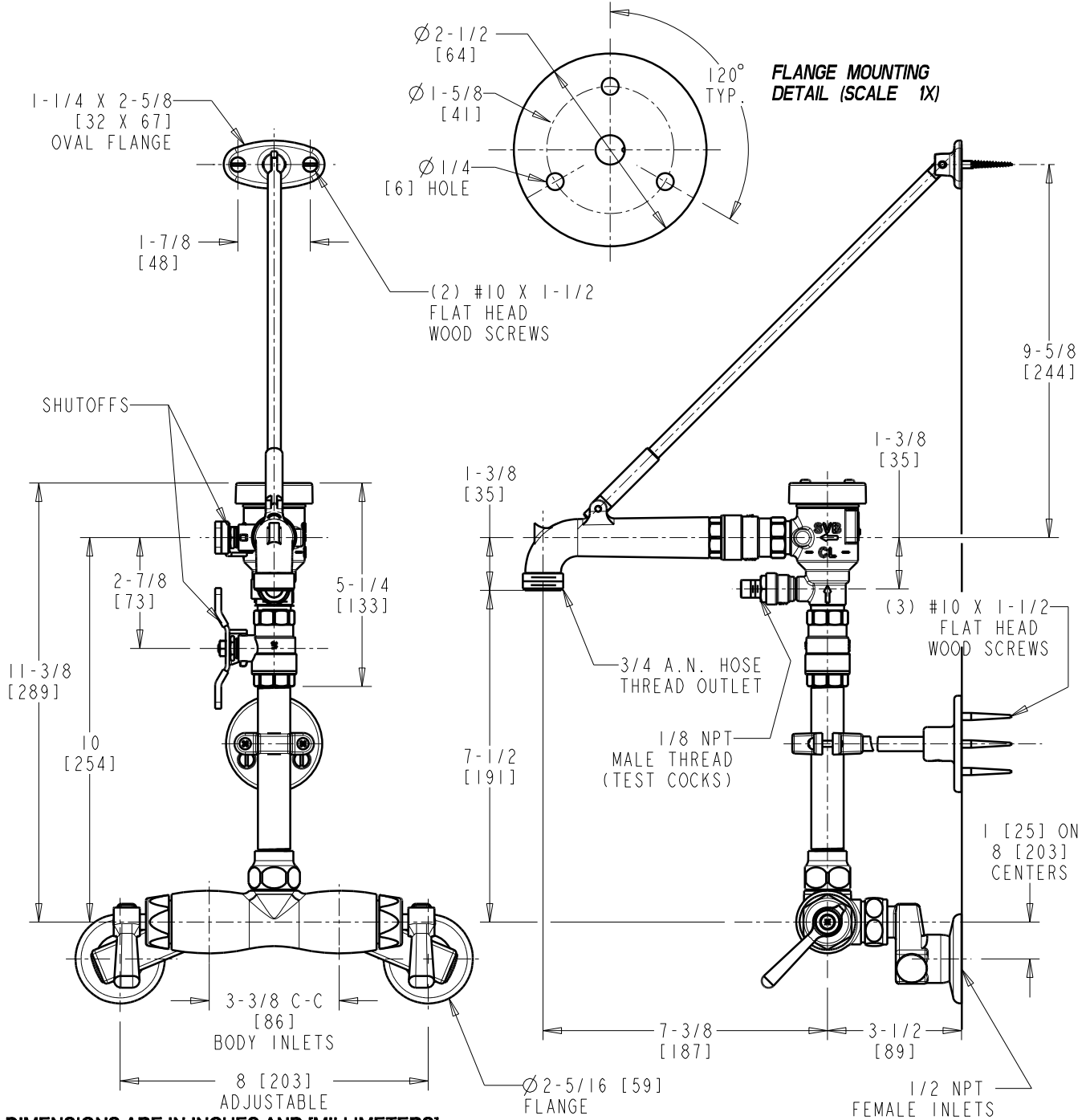
SUBMITTED AS SHOWN

SUBMITTED AS NOTED

SEE ATTACHED FOR
SUBMITTED MODIFICATION

JOB NAME

ITEM NO.



TECHNICAL DATA

- WALL MOUNTED FITTING
- SPOUT WITH BRACE ROD ASSEMBLY
- 369 INDEXED LEVER HANDLES
- QUATURN OPERATING CARTRIDGES
- 'RC' 2 1/2" OFFSET SUPPLY ARMS WITH BUILT-IN SHUT-OFF STOP AND CHECK
- FINISH: CHROME PLATE

- 902-M PIPE SUPPORT
- SPILL-RESISTANT PRESSURE VACUUM BREAKER
- 150PSI [10.3 bar] MAXIMUM PRESSURE
- ASME A112.18.1/CSA B125.1 COMPLIANT
- ASSE 1001 COMPLIANT
- CSA B64.1.1 COMPLIANT
- ADA ANSI/ICC A117.1 COMPLIANT



ADA COMPLIANT

ROUGHING IN DIMENSIONS MAY VARY AND ARE SUBJECT TO CHANGE. NO RESPONSIBILITY IS ASSUMED FOR USE OF SUPERCEDED OR VOIDED DATA.