



GE APPLIANCES

DUCTLESS HEAT PUMP SYSTEM STANDARD HIGHWALL

18K

SUBMITTAL

Job Name: _____

Purchaser: _____

Submitted To: _____

Construction: _____

Reference: _____

Approval: _____

Date: _____

Submitted By: _____

Unit: _____

Drawing #: _____

GS18WB2BEA



Indoor Accessories

Remote Controller (Included)	WJ26X35395
Wired Controller	GACT17B
Refrigerant Detection Sensor (RDS)	UALS01A

Specifications

Cooling	Rated Cooling Capacity Btu/hr	18,000
	Heating	Rated Heating Capacity Btu/hr
Power	Voltage, Cycle, Phase V/Hz/Phase	208-230/60/1
	Operating Voltage Range	187-253 VAC
Indoor Unit	Fan Speed Stages	5 + Auto
	Airflow CFM: Cooling (Turbo/High/Med/Low/Quiet)	570/520/480/420/330
	Motor Speed RPM: Cooling (Turbo/High/Med/Low/Quiet)	1250/1150/1050/950/800
	Indoor Sound Level dB: Cooling (Turbo/High/Med/Low/Quiet)	50/46/44/40/35
	Airflow CFM: Heating (Turbo/High/Med/Low/Quiet)	570/520/450/380/310
	Motor Speed RPM: Heating (Turbo/High/Med/Low/Quiet)	1250/1150/1025/900/750
	Indoor Sound Level dB: Heating (Turbo/High/Med/Low/Quiet)	48/46/41/38/33
	Auto Up-Down Louver	Yes
	Auto Left-Right Louver	No
	Dimension: H x W x D in (mm)	12 7/8 x 39 3/8 x 8 3/4 (327 x 999 x 223)
	Weight (Net/Ship)- lbs (kg)	27.8/34.64 (12.6/15.7)
	Drain Pipe Size O.D in	5/8
	WiFi*	Built-in
Factory-Installed Refrigerant Detection Sensor (RDS)	No	
Refrigerant Detection Sensor (RDS) Compatible	Yes	
Refrigerant Line	Liquid O.D. in	1/4
	Suction O.D. in	1/2

*WiFi includes SmartHQ™ Home and SmartHQ™ Service compatibility.

For more information visit us:

GEAppliancesAirAndWater.com

©Copyright 2025 GE Appliances, a Haier Company. GE is a trademark of the General Electric Company. Manufactured under trademark license. GE Appliances has a policy of continuous improvement of its products and reserves the right to change materials and specifications without notice.



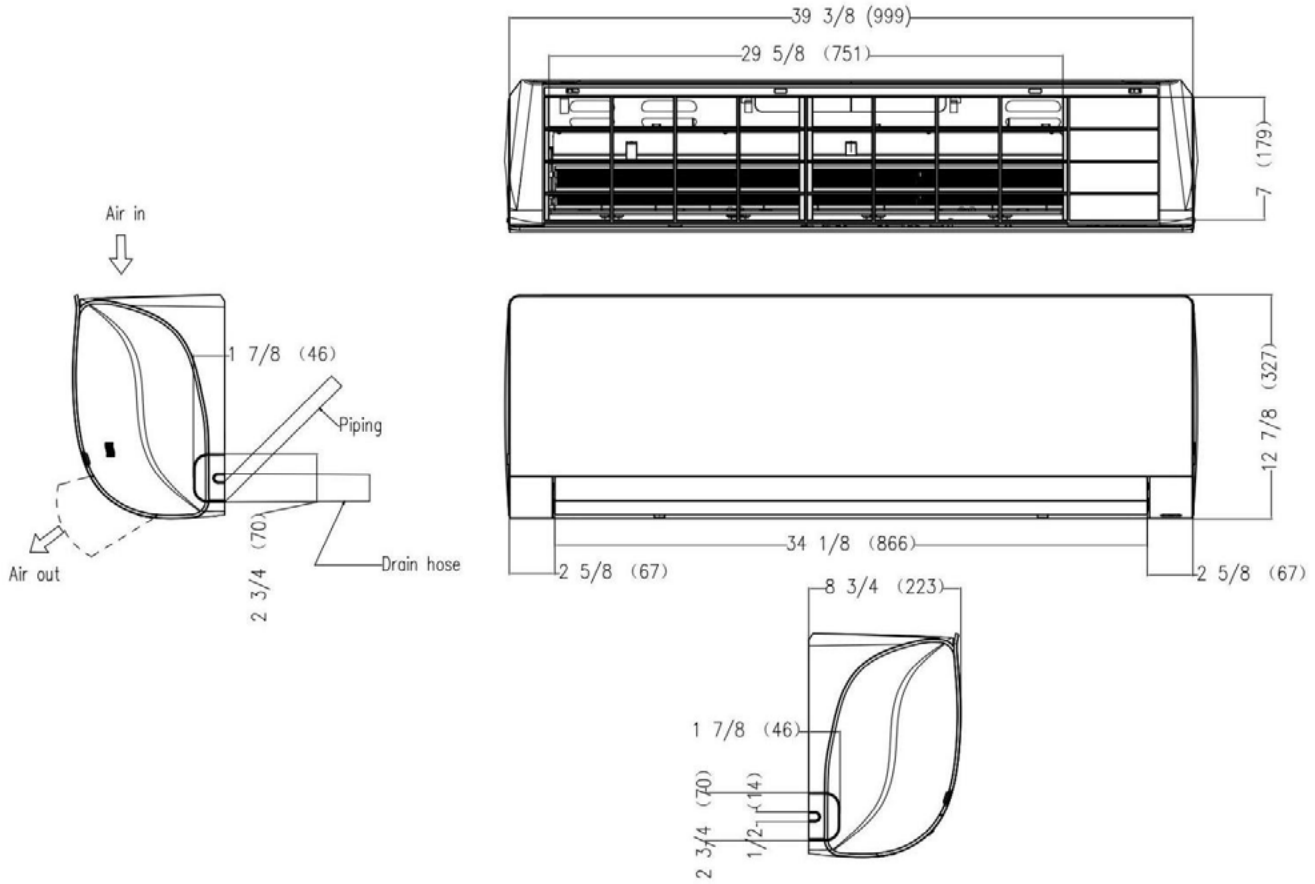


GE APPLIANCES

DUCTLESS HEAT PUMP SYSTEM STANDARD HIGHWALL

18K

GS18WB2BEA



Note: Dimensions are shown in inches (millimeters)

SUBMITTAL REVISION HISTORY

03-31-25: Submittal release.

For more information visit us:

GEAppliancesAirAndWater.com

©Copyright 2025 GE Appliances, a Haier Company. GE is a trademark of the General Electric Company. Manufactured under trademark license. GE Appliances has a policy of continuous improvement of its products and reserves the right to change materials and specifications without notice.

