

TOLCO™ Fig. 1CBS - Clevis Pipe Spacer

Size Range: Size 1" (25mm) thru 20" (500mm) clevis hanger

Material: Steel

Function: Used as a spacer at a seismic brace location to keep clevis hanger from collapsing during seismic event.

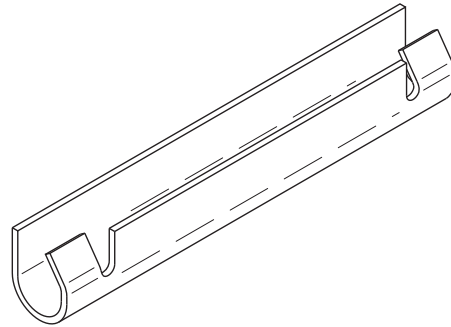
Approvals: Included in our Seismic Restraints Catalog approved by the State of California Office of Statewide Health Planning and Development (OSHPD). For additional load, spacing and placement information relating to OSHPD projects, please refer to the Seismic Restraint Systems Guidelines.

Installation Note: Fig. 1CBS fits easily over the cross bolt and attaches by pinching tabs down.

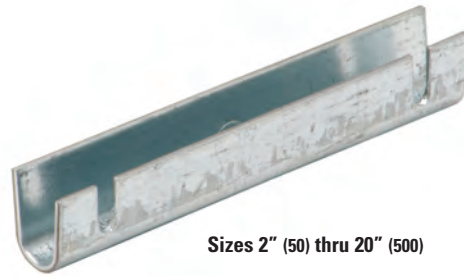
Finish: Pre-Galvanized. Contact customer service for alternative finishes and materials.

Order By: Part number and finish.

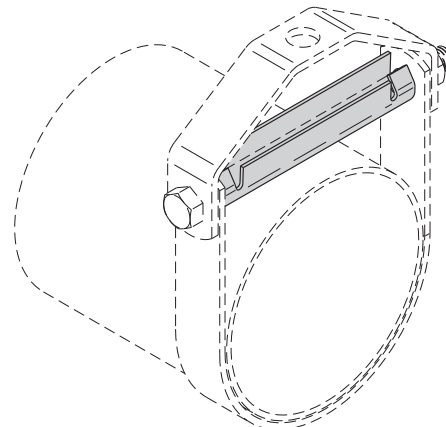
Component of State of California OSHPD Approved Seismic Restraints System



Sizes 1" (25) thru 1 1/2" (40)



Sizes 2" (50) thru 20" (500)



Part No.	Pipe Size		Approx. Wt./100	
	in.	(mm)	lbs.	(kg)
1CBS-1	1"	(25)	3.2	(1.4)
1CBS-1 1/4	1 1/4"	(32)	4.1	(1.8)
1CBS-1 1/2	1 1/2"	(40)	4.8	(2.2)
1CBS-2	2"	(50)	9.4	(4.2)
1CBS-2 1/2	2 1/2"	(65)	11.4	(5.2)
1CBS-3	3"	(75)	13.9	(6.8)
1CBS-3 1/2	3 1/2"	(90)	16.0	(7.2)
1CBS-4	4"	(100)	18.0	(8.1)
1CBS-5	5"	(125)	27.3	(12.4)
1CBS-6	6"	(150)	32.5	(14.7)
1CBS-8	8"	(200)	42.5	(19.2)
1CBS-10	10"	(250)	72.7	(32.9)
1CBS-12	12"	(300)	86.3	(39.1)
1CBS-14	14"	(350)	157.6	(71.5)
1CBS-16	16"	(400)	183.7	(83.3)
1CBS-18	18"	(450)	224.6	(101.9)
1CBS-20	20"	(500)	254.0	(115.2)

All dimensions in charts and on drawings are in inches. Dimensions shown in parentheses are in millimeters unless otherwise specified.