



a Geberit company

2100 South Clearwater Drive
Des Plaines, IL 60018
Phone: 847-803-5000
Fax: 847-803-5454
www.chicagofaucets.com

ROUGH-IN

FITTING NO.

748-244FHCP

SUBMITTED MODEL NO.

BY: SID

DATE: 11-29-06

CHK: *[Signature]*

REV: 09-01-09

FOR TECHNICAL ASSISTANCE
1-800-TEC-TRUE (1-800-832-8783)

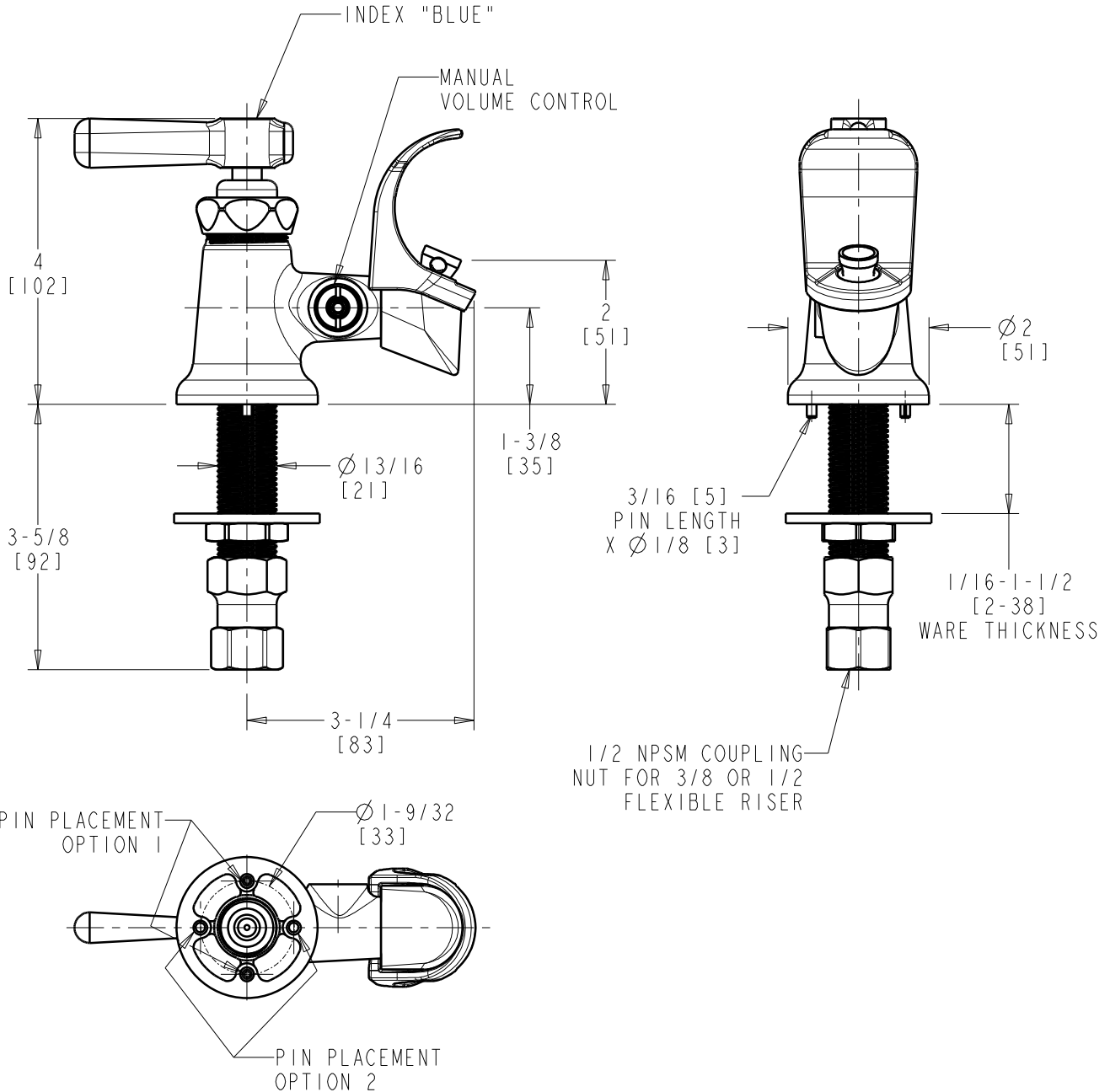
SUBMITTED AS SHOWN

SUBMITTED AS NOTED

SEE ATTACHED FOR
SUBMITTED MODIFICATION

JOB NAME

ITEM NO.



DIMENSIONS ARE IN INCHES AND [MILLIMETERS].

TECHNICAL DATA

- FLEX-HEAD DRINKING FOUNTAIN
- 369 INDEXED LEVER HANDLES
- WITH VANDAL RESISTANT SCREW
- 826-X KLO-SELF OPERATING CARTRIDGE
- ANTI-ROTATING PINS
- FINISH: CHROME PLATE

- ANTI-MICROBACTERIAL FLEX HEAD
- MANUAL VANDAL RESISTANT VOLUME CONTROL
- 0.7 GPM (2.6 L/MIN.) MAXIMUM FLOW CONTROL
- ASME A112.18.1/CSA B125.1 COMPLIANT
- NSF/ANSI 61 COMPLIANT



ADA COMPLIANT

ROUGHING IN DIMENSIONS MAY VARY AND ARE SUBJECT TO CHANGE. NO RESPONSIBILITY IS ASSUMED FOR USE OF SUPERCEDED OR VOIDED DATA.