



**Freshman™**  
Siphon-jet half-stall 1.0 gpf urinal, rear spud  
**K-4989-R**

**Features**

- Siphon jet
- 3/4" (19 mm) rear spud
- 1.0 gpf (3.8 lpf)
- Includes inlet and outlet spuds and hangers

**Material**

- Vitreous china

**Recommended Products/Accessories**

- K-23726 Drain treatment
- K-23725 Cast iron cleaner



**Codes/Standards**



ASME A112.19.2/CSA B45.1  
DOE - Energy Policy Act 1992

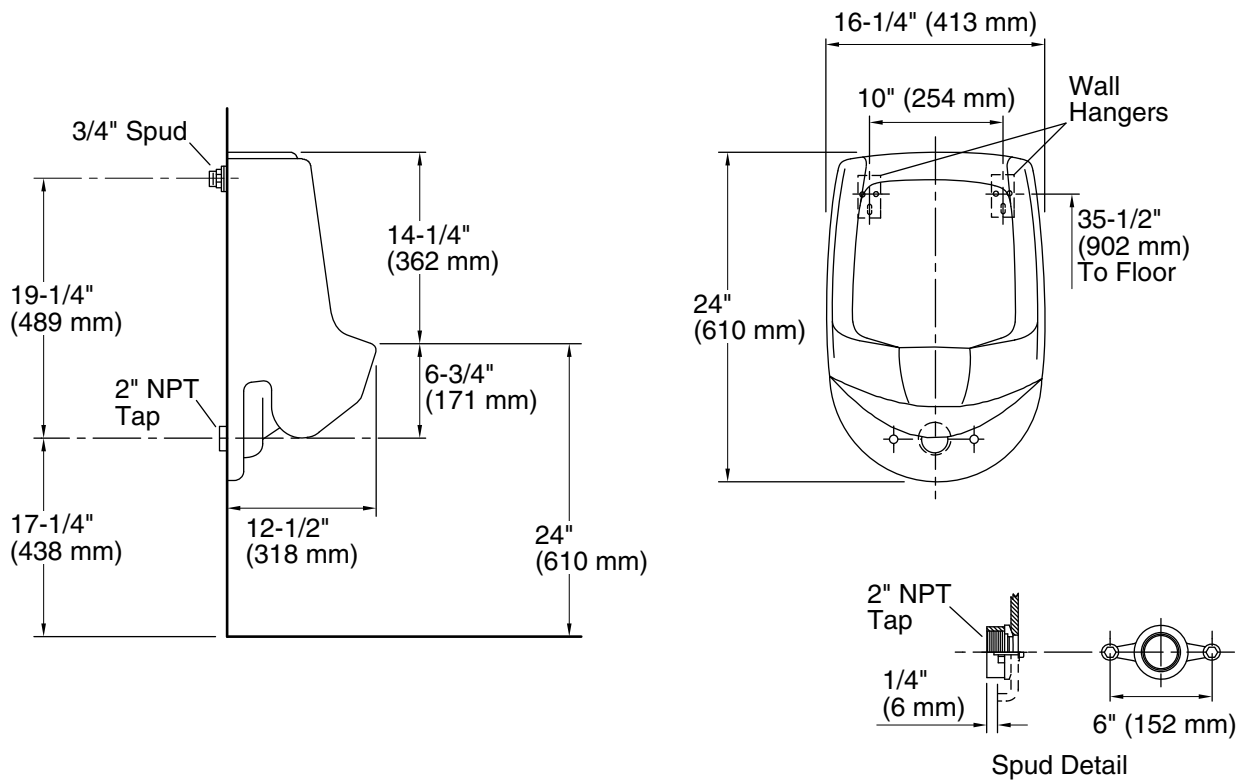
**KOHLER® One-Year Limited  
Warranty**

See website for detailed warranty information.

**Available Colors/Finishes**

*Color tiles intended for reference only.*

Color	Code	Description
	0	White
	7	Black Black™



### Technical Information

All product dimensions are nominal.

Spud size:	Inlet, Rear
Min. Water per Flush:	1 gpf (3.8 lpf)
Max. Water per Flush:	1 gpf (3.8 lpf)

Designed for the above water use when installed with a water-saving flushometer.

### Notes

Install this product according to the installation instructions.

Product dimensions are nominal and may vary per ASME A112.19.2 tolerances.