

Features

- Robust steel frame
- Insulated tank to prevent sweating
- Large flush actuator plate opening can be removed for easy access to inner tank
- Adjustable height allows bowl to be set anywhere between 15-3/8" - 28-1/2" (391 - 724 mm) from floor
- Dual-flush actuator offers a choice of 0.8 or 1.6 gpf (3.0 or 6.0 lpf)
- Works with the K-6299 or K 6918 bowls to create a complete solution
- Dual-flush technology allows you to choose between a full or partial flush
- Eligible for consumer rebates in some municipalities

Installation

- Durable steel frame carrier is installed on 2" x 6" (51 x 152 mm) studs behind the wall. See installation guide and installation video for more detailed information
- When installed per Kohler installation instructions, the KOHLER in-wall tank and carrier system can support up to 500 lb (226.8 kg) without damage
- Supply line sold separately
- Requires 1201721 electrical box kit when pairing bidet seat with bowl

Recommended Products/Accessories

K-6291 Wall-Hung Toilet Cast Iron Waste Pipe

Included Components

K-6298 Flush Actuator Plate

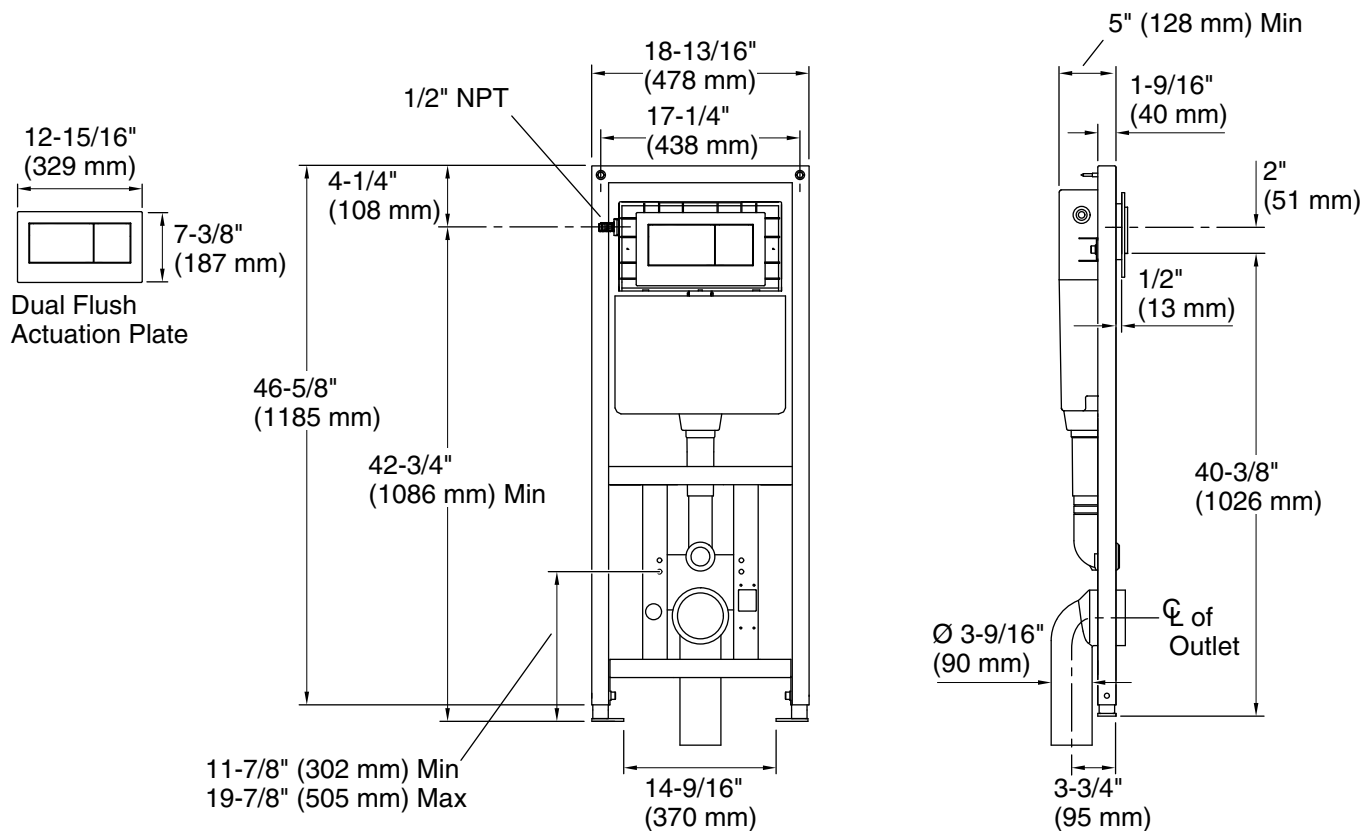


Codes/Standards

ASME A112.6.2
ASME A112.19.5/CSA B45.15
ASSE 1002/ASME A112.1002/CSA B125.12
EPA WaterSense®

KOHLER® Toilets and Seats Limited Warranty

See website for detailed warranty information.



Technical Information

All product dimensions are nominal.

Toilet type: In-wall mount
Waste Outlet: Wall

Fixture Supply Requirements

Min static pressure: 20 psi (137.9 kPa)
Max static pressure: 80 psi (551.6 kPa)
Min flowing pressure: 15 psi (103.4 kPa)
Min flow rate: 1 gpm (3.8 lpm)

Notes

Install this product according to the installation instructions.

Installation requires 2x6 framing.

Install the in-wall tank and carrier system in a wall opening 5-1/2" (140 mm) x 19" (483 mm) x 50" (1270 mm) minimum.

Maximum inlet water temperature shall not exceed 80°F (26.7°C).