

Inverter Driven Heat Pump

48,000 BTU Circular Flow Cassette

Job Name _____
 Location _____
 Engineer _____
 Submitted To _____
 Submitted By _____
 Reference _____

Date _____
 Approval _____
 Construction _____
 Unit No _____
 Drawing No _____

PRODUCT FEATURES

- 360° Circular flow distributes air more evenly around the room
- Adjustable louver swing
- Adjustable airflow
- Optional human sensor detects room occupancy for energy savings
- 7mm High density heat exchanger
- Seamless airflow louver
- Grille avile in White (UTG-GCGF) or Black (UTG-LCGVCB), sold separately



MODEL NUMBERS			
Indoor Unit	AUU48RGLX		
Outdoor Unit	AOU48RGLX		
System	48RGLXC		
EFFICIENCIES			
SEER	17.8		
SEER 2	18.2		
EER	10.1		
EER 2	10.1		
HSPF	10.6		
HSPF 2 (IV) / HSPF 2 (V)	9/7		
COP	kw/kw	3.46	
COP	Btu/hW	11.8	
COP2	kw/kw	3.46	
COP2	Btu/hW	11.8	
OUTDOOR TEMPERATURE OPERATION RANGE			
Cooling	*F(*C)	-5 to 115 (-21 to 46)	
Heating*		*-5 to 75 (-21 to 24)	
CAPACITIES			
Cooling	Rated	Btu/h	48000
	Min.-Max.		17,100-50,000
Heating	Rated		53000
	Min.-Max.		18,000-55,000
LINESET REQUIREMENTS			
Connection Method		Flare	
Liquid	in (mm)	Ø3/8 (9.52)	
Gas		Ø5/8 (15.88)	
Pre-charge length	ft (m)	98 (30)	
Minimum Length		16 (5)	
Max. length		246 (75)	
Max. height difference		98 (30)	
INDOOR DIMENSIONS & WEIGHT			
Net (H x W x D)	in (mm)	11-5/16 x 33-1/16 x 33-1/16 (288 x 840 x 840)	
Gross (H x W x D)		13-3/8 x 37-13/16 x 37-3/8 (340 x 960 x 950)	
Net Weight	lb (kg)	64 (29)	
Gross Weight		73 (33)	
OUTDOOR DIMENSIONS & WEIGHT			
Net (H x W x D)	in (mm)	50-13/16 x 35-7/16 x 13 (1,290 x 900 x 330)	
Gross (H x W x D)		57-1/2 x 41-5/16 x 17-1/2 (1,460 x 1,050 x 445)	
Net Weight	lb (kg)	209 (95)	
Gross Weight		231 (105)	

* System continues to operate below rated outdoor operation temperature range, subject to varying conditions. System has no low temperature cut out. Capacity is not tested outside of the rated temperature range.

Effective Date: 05/07/2024

Warranty Information



7 Year Compressor, 5 Year Parts out-of-the-box Warranty

10 Year Compressor, 10 Year Parts Warranty when registered within 60 days of installation in a residence

12 Year Compressor, 12 Year Parts Warranty when registered within 60 days of installation in a residence, and installed by a Fujitsu Elite contractor

ACCESSORIES

UTY-RNRUZ*	Wired Remote Controller
UTY-RSRY	Simple Remote Controller
UTY-RHRY	Simple Remote Controller
UTY-LBTUC	IR Receiver Kit with Wireless Remote Controller
UTG-GCGF	Cassette Grille
UTG-LCGVCB	Cassette Grille
UTY-SHZXC	Human Sensor Kit
UTY-XWZXZG	External Connect Kit
UTR-YDZK	Air Outlet Shutter Plate
UTG-AKXA-W	Wide Panel
UTG-BKXA-W	Panel Spacer
UTZ-VXRRA	Fresh Air Intake Kit
UTZ-KXRRA	Insulation for High Humidity
UTY-XCSX	External Input and Output PCB
UTY-TFSXZ2	WLAN Adapter
UTY-VMSX	Modbus Converter
UTY-TTRXZ1	Thermostat Converter
UTY-VTGX	Network Converter

Due to continuous product improvements, specifications are subject to change without notice. Please log in to the Fujitsu Portal for the most up-to-date documentation <https://connect.fujitsugeneral.com>

Inverter Driven Heat Pump

48,000 BTU Circular Flow Cassette

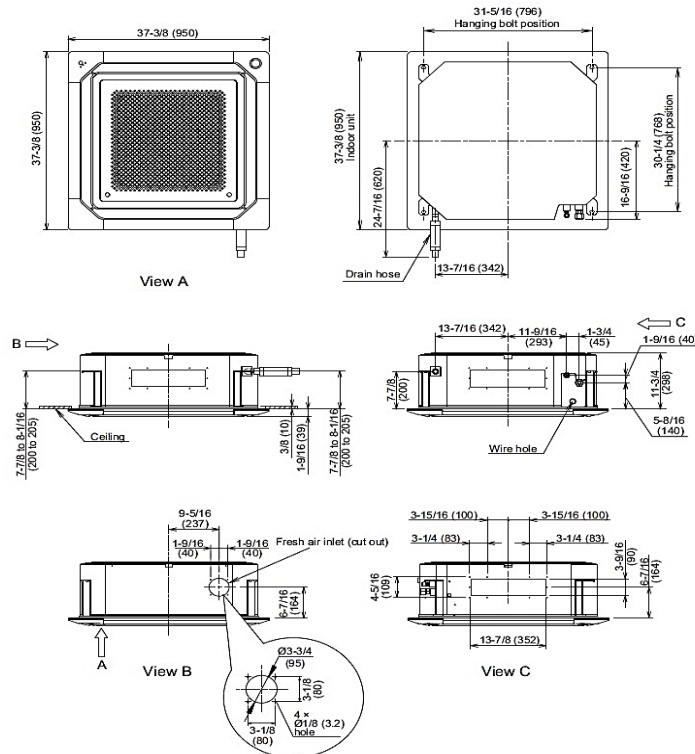
FAN DATA				
Indoor Unit Airflow rate	Cooling	HIGH	CFM (m ³ /h)	1,236 (2,100)
		MED		1,048 (1,780)
		LOW		942 (1,600)
		QUIET		777 (1,320)
	Heating	HIGH		1,236 (2,100)
		MED		1,048 (1,780)
		LOW		942 (1,600)
		QUIET		777 (1,320)
Outdoor Unit Airflow rate	Cooling		4,061 (6,900)	
	Heating		4,091 (6,950)	
SOUND PRESSURE				
Indoor Unit	Cooling	HIGH	dB (A)	47
		MED		43
		LOW		40
		QUIET		36
	Heating	HIGH		47
		MED		43
		LOW		40
		QUIET		36
Outdoor Unit	Cooling		57	
	Heating		59	
REFRIGERANT				
Type				R410A
Charge	lb oz			7 lb 10 oz
	g			3450
Oil Type				POE (VG74)

ELECTRICAL SPECIFICATIONS					
Voltage/Frequency/Phase		208/230 V~ 60 Hz			
Available Voltage Range		187–253 V			
Current	Cooling	Rated	A	20.9	
	Heating	Rated		19.7	
Maximum Operating Current	Cooling			22.2	
	Heating			20.7	
Starting current		20.9			
MCA		28.3			
Maximum Circuit Breaker		30			
Input Power	Cooling	Rated		kW	4.75
		Min.–Max.	0.63–4.91		
	Heating	Rated	4.49		
	Min.–Max.	0.55–4.67			
Power Factor	Cooling	%			
	Heating	97			
OTHER					
Moisture Removal		pints/h (L/h)	10.6 (5.0)		
Energy Star		No			
Drain hose	Material	PVC			
	Tip diameter	in (mm)	Ø1/2 (Ø13.0) (I.D.), Ø5/8 to Ø11/16 (Ø16.0 to Ø16.7) (O.D.)		
Operation Range	Cooling	°F (°C)	64 to 90 (18 to 32)		
		%RH	80 or less		
	Heating	°F (°C)	60 to 86 (16 to 30)		

DIMENSIONS:

Indoor Unit

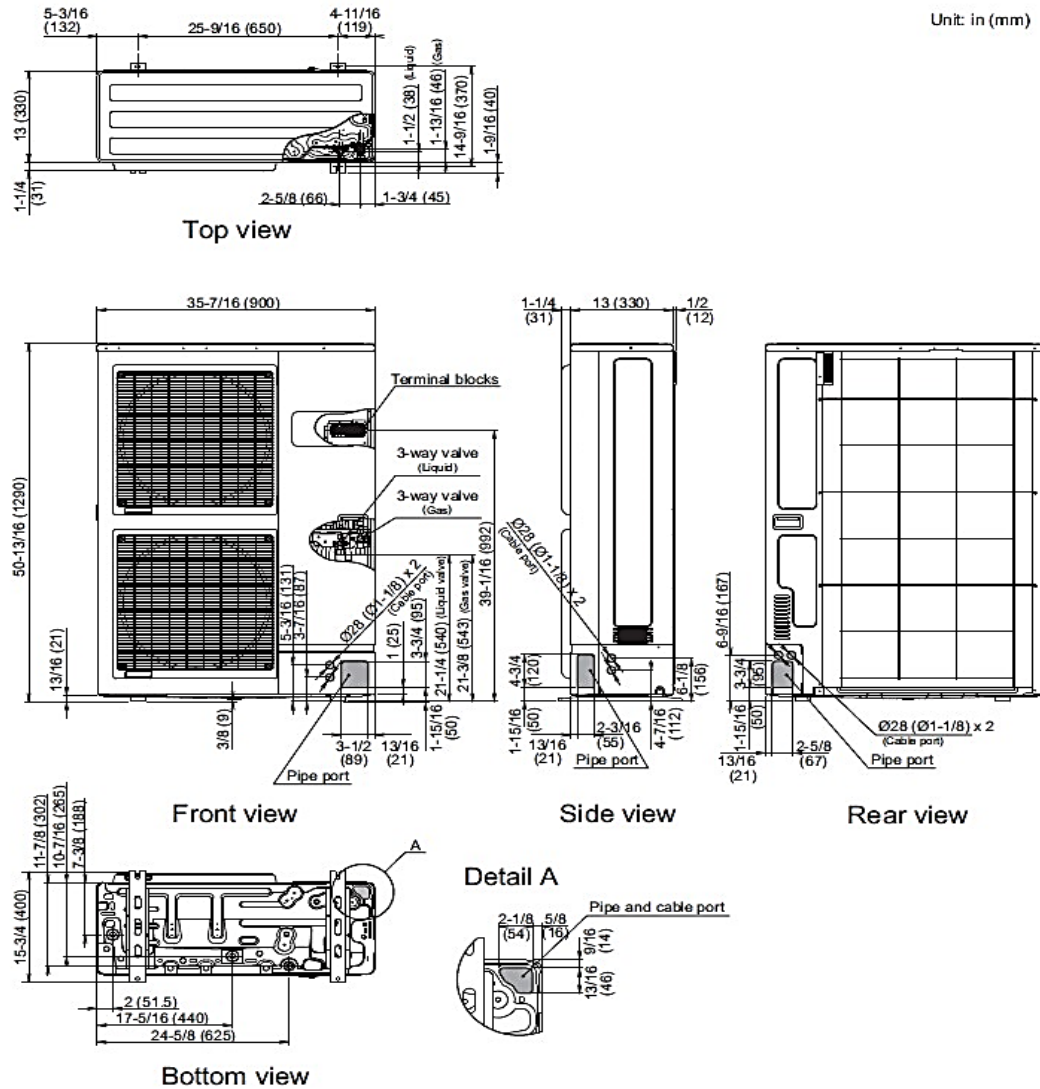
Units: In. (mm)



DIMENSIONS

Units: In. (mm)

Outdoor Unit



The Fujitsu logo is a worldwide trademark of Fujitsu General Limited. The Airstage logo and name is a worldwide trademark of Fujitsu General Limited and is a registered trademark in Japan, the USA and other countries or areas. Copyright 2024 Fujitsu General America, Inc. Fujitsu's products are subject to continuous improvements. Fujitsu reserves the right to modify product design, specifications and information in this brochure without notice and without incurring any obligations.

Note: Specifications are based on the following conditions:
 Cooling: Indoor temperature of 80°F (26.7°C) DB/67°F (19.4°C) WB, and outdoor temperature of 95°F (35°C) DB/75°F (23.9°C) WB. Heating: Indoor temperature of 70°F (21.1°C) DB/60°F (15.6°C) WB, and outdoor temperature of 47°F (8.3°C) DB/43°F (6.1°C) WB. Pipe length: 25ft. (7.5m), Height difference: 0ft. (0m) (Outdoor unit – indoor unit).