



PRODUCT CATALOG

CAST IRON NO-HUB PIPE & FITTINGS
CAST IRON HUB & SPIGOT (SV) PIPE & FITTINGS
ACCESSORIES





About Us

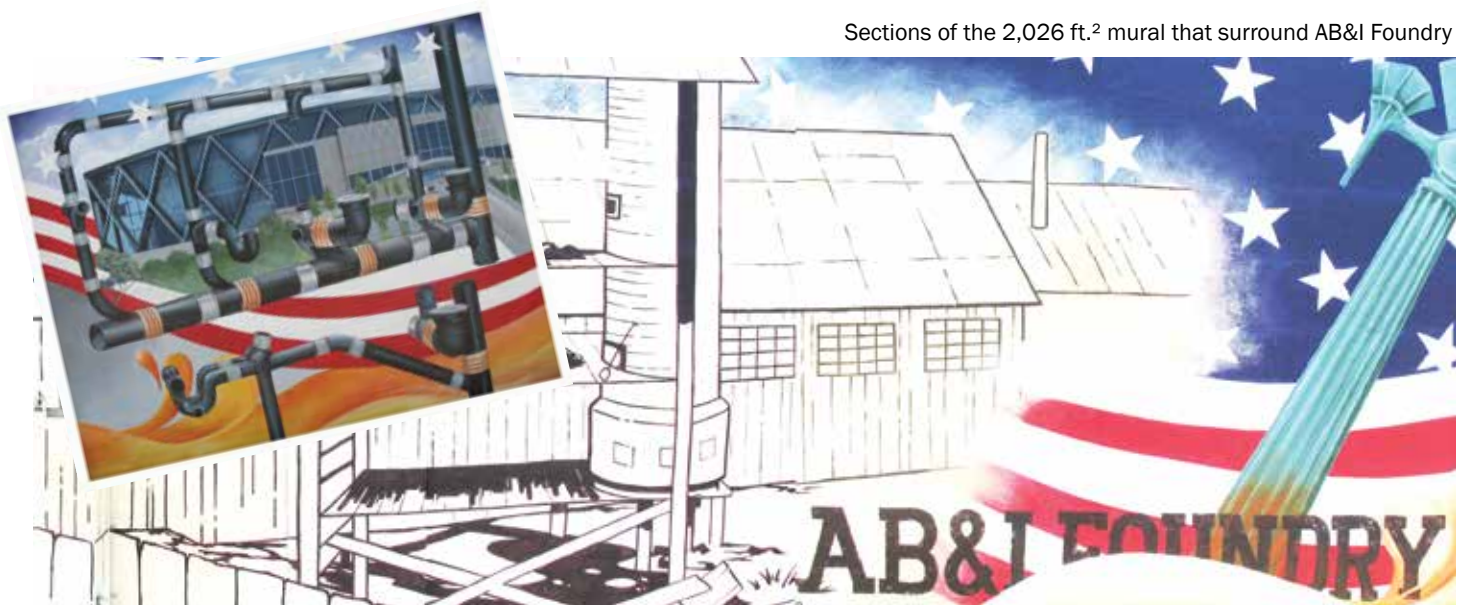
AB&I Foundry has been manufacturing cast iron soil pipe and fittings in America since 1906. We produce a full-line of standard and specialty cast iron soil pipe and fittings for drain, waste, and vent (DWV) plumbing systems. AB&I also provides custom gray iron foundry services for OEM manufacturers. All of our quality products are proudly made in the USA and meet all applicable ASTM and CISPI standards. Our basic principles embracing integrity and professionalism are what set us apart.

Our Values

At AB&I, we believe in...

- Giving Team Members the chance to make decisions and learn from them
- Open communications and honest Team Member evaluations
- Sharing financial and business information with all Team Members
- Promoting a safe and enjoyable workplace
- The ability of every Team Member to make a positive contribution

Sections of the 2,026 ft.² mural that surround AB&I Foundry



The Full-Line of Cast Iron Pipe and Fittings America Can Trust

AB&I has been a leading West Coast producer of cast iron drain, waste and vent systems for decades. Now the high quality pipe and fittings that have distinguished AB&I as an industry leader are available nationwide.

- Cast Iron No-Hub Pipe and Fittings
- Cast Iron SV Pipe and Fittings
- SV Gaskets
- Accessories

All AB&I products are 100% made in America. All of our products have been carefully engineered to meet the most demanding industry standards, and are accepted for use by all plumbing codes in every jurisdiction in the United States.

AB&I products are represented nationwide by an extensive network of Customer Service professionals, Regional Sales Managers, and Manufacturer's Representatives, thoroughly dedicated to providing the highest level of customer service.

NSF-Certified to Ensure Full Standards Compliance

All AB&I cast iron pipe and fittings have been certified by NSF International to meet applicable CISPI and ASTM standards. As more and more products with questionable compliance records enter the domestic market, it is critical that engineers, contractors, and inspectors have the ability to distinguish between products that meet the standards and those that may not. NSF Certification provides this assurance, giving all parties the peace of mind that comes from knowing they are installing unquestionably-compliant cast iron.



A Founding Member of the Cast Iron Soil Pipe Institute (CISPI)

AB&I has been a member of CISPI since its inception, and takes a great pride in helping sponsor this outstanding industry organization. CISPI has been instrumental in the promulgation of strong industry standards that have protected public health.

CISPI conducts three unannounced, rigorous inspections of AB&I's products and operations annually. By having both CISPI and NSF Marks, AB&I's products pedigree is second to none.





CAST IRON ADVANTAGES

Cast Iron: The preferred choice for every application, above or below ground.

NON-COMBUSTIBLE, FIRE-RESISTANT

Cast iron is non-combustible and fire-resistant making it the safe choice for DWV systems. Cast iron is easy to install, and has superior durability often out lasting the life of a building. Its resistance to burning has the added benefit of requiring simple, low-cost fire stopping between the annular space between the pipe and wall penetration.

QUIETER OPERATIONS

Cast iron is often referred to as the “quiet pipe” because of its inherent density it provides superior noise suppression. Cast iron effectively suppresses annoying “swooshing” sounds that result from effluents cascading down from upper floors, resulting in a higher quality installation and a more satisfied customer. This sound attenuation feature can be a major benefit in quality residential and commercial construction, where building owners and tenants understand the advantage of iron by the very first flush.

STRONGER THAN OTHER MATERIALS

Cast iron is stronger, crush resistant, and longer-lasting than any other DWV piping material. Cast iron pipe installed over 300 years ago in many of Europe’s landmark buildings is still serviceable today, attesting to iron’s toughness and longevity.

RESISTANT TO CORROSION

Cast iron has been proven to be resistant to corrosion, even in the harshest soil environments with the most challenging effluents.

LOW THERMAL EXPANSION RATES

Cast iron expands and contracts in response to changing temperatures at a very low rate, reducing or eliminating the need for costly and time-consuming expansion joints.

SUGGESTED SPECIFICATION

BELOW GRADE

All drain, waste, vent, sewer and storm lines shall conform to the requirements of CISPI Standard 301*, ASTM A 888* or ASTM A74*. Pipe and fittings shall be marked with the collective trademark of the Cast Iron Soil Pipe Institute or receive prior approval of the engineer.

Building or house sewers shall be of cast iron soil pipe and fittings from the building drain to the point of connecting with the city sewer or disposal plant. All pipe and fittings shall conform to the requirements of CISPI Standard 301*, ASTM A888* or ASTM A74*. Pipe and fittings shall be marked with the collective trademark of Cast Iron Soil Pipe Institute or receive prior approval of the engineer.

ABOVE GRADE

All drain, waste, vent, sewer and storm lines shall conform to the requirements of CISPI Standard 301*, ASTM A888* or ASTM A74*. Pipe and fittings shall be marked with the collective trademark of the Cast Iron Soil Pipe Institute or receive prior approval of the engineer.

JOINTS

- No-Hub Couplings shall conform to the CISPI Standard 310* and ASTM A1277
- Heavy-Duty Couplings shall conform to the requirements of ASTM C1540
- Compression Gaskets for Hub & Spigot shall conform to the requirements of ASTM Standard 564* and ASTM C1563*
- Joints for pipe and fittings shall conform to the manufacturer's installation instructions and local code requirements

* most current edition



TABLE OF CONTENTS

NO-HUB SOIL PIPE AND FITTINGS

ADAPTERS	
Hub Adapter	10
Extended Tapped Adapter	10
BENDS	
¼ Bend	7
½ Bend	8
⅙ Bend	8
⅛ Bend	8
⅙ Bend	8
Double ¼ Bend	7
Extended Short Sweep	8
CLEANOUTS	
IBCO or Ferrule	13
IronBody Cleanout Tapped	13
Texas Twin Cleanout	13
Twin Cleanout East Bay Code	13
Two-Way Cleanout Fitting Kelly	13
Blind Plug Cleanout Fitting	13
CLOSET FITTINGS	
9-458 Vented Closet Tee	18
9-464 Vented Closet Cross	18
10" Closet Fitting-Below Floor	18
CLOSET FLANGE/RINGS	
2-252 Closet Flange (Caulk)	16
Best Set™ Closet Ring NH.....	16
Closet Ring No-Hub NH	16
CROSSES	
Sanitary Cross	9, 10
Sanitary Tap Cross	9
FIGURE FITTINGS	
Figure 1 NH.....	13
Figure 5 NH.....	13, 14
Figure 6 NH.....	14
Figure 8 NH.....	14
PIPE	
SILVERSPUN™ 10' No-Hub Pipe.....	6
No-Hub Pipe Barrels	6
Prison Fitting	15
REDUCERS	
Reducer Short	8
Increaser – Reducer	8
TEES	
Sanitary Tap Tee	9
Sanitary Tee	9
Test Tee	10
TRAPS	
“P” Trap	12
Deep Seal “P” Trap	12
Running Trap	12
Running Trap with Double Vent	12
Side Inlet “P” Trap	12

WYES	
WYE	11
Tapped WYE	17
Vented Tub WYE	15
Combination WYE & ⅙ Bend	11
Double Combination WYE & ⅙ Bend	11
Double WYE	11
Upright WYE	11

NO-HUB SPECIAL FITTINGS

SPECIAL FITTINGS	
Vent Bypass	15
Combination Long	17
San Cross, Tapped, Extended	17
San Tee, Tapped, Extended.....	17

STARTER FITTINGS	
Double Vertical San Tapped Tee.....	17
Horizontal Twin San Tapped Tee.....	17
NY Vertical Stack	20
9-471 Starter Fitting.....	21
9-371 Threaded Starter Fitting.....	21

P-Trap, Side Inlet	12
---------------------------------	----

HUB & SPIGOT PIPE & FITTINGS

BENDS	
¼ Bend	26
½ Bend	26
⅙ Bend	26
⅛ Bend	26
45° Offset	31
Double ¼ Bend	26
Long ¼ Bend	27
Long ⅙ Bend	27
Long Sweep ¼ Bend	27
Short Sweep ¼ Bend	27
Single Hub Return Bend	27

CLEANOUTS	
Two-Way Cleanout Memphis Code ..	32
Two-Way Double Cleanout	32
2-11 Standard Ferrule SV.....	34
Tapped Spigot.....	31

CLOSET FLANGE/RINGS	
2-252 Closet Flange (Caulk).....	34

CROSSES	
Sanitary Cross	29
Straight Cross	28
Straight Tapped Cross	29
Tapped Sanitary Cross	29

Double Hub Fitting	32
“H” Branch	31

INCREASERS	
Increasers	32
Long Plain Increaser	32
Long Tapped Increaser	32

PIPE	
Pipe Double Hub	25
Pipe Single Hub Pipe	25

Pipe Plug	31
------------------------	----

Reducer	32
----------------------	----

TEES	
2-70 Test Tee Less Plug	29
Sanitary Tapped Tee	29
Sanitary Tee	28
Straight Tapped Tee	28

TRAPS	
“P” Trap	33
Deep Seal “P” Trap	33
Running Trap.....	33

WYES	
WYE	30
Combination WYE & ⅙ Bend	30
Double Combination WYE & ⅙ Bend ...	30
Double WYE	30
WYE with Left Hand Side Inlet	31

HUB & SPIGOT SPECIAL FITTINGS

Tapped Vented Bypass	37
-----------------------------------	----

CLOSET FITTINGS	
Vented Closet Tee	37
Vented Closet Cross	37

STARTER FITTINGS	
Starter Fittings	38, 39
EZS Extended Legs.....	40
Trim Package	41

TEES	
Tapped Long Sweep	36
Long San, Tapped.....	36

WYES	
BATH VENT	36

STAPLE SPECIALS & DRAINS

Bar Grates with Legs	32
-----------------------------------	----

CLOSET BENDS	
Closet Bends NH.....	15
Closet Bends Reducing NH.....	15
Closet Bends SV	34
Closet Bends Reducing SV.....	34
Closet Bends Regular Hub SV.....	34
Tapped Closet Bend SV	34

Sission Insertable Joint	33
---------------------------------------	----

Test Tee	10
-----------------------	----

Vent Cap with Set Screw	31
--------------------------------------	----

GASKETS, LUBRICANT & TOOLS	
EZ-TITE SV.....	35
TY-SEAL SV.....	35
TY-SEAL Lubricant SV.....	35
TY-Tools SV	35

QUALITY SILVERSPUN™ NO-HUB PIPE

SILVERSPUN™ 10' NO-HUB PIPE

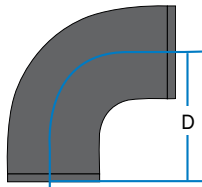
The Finest No-Hub Pipe Available!

Part No.	Size	Unit Wt.	Pcs/Pkg	Total Ft.	Pkg. Wt.
00156	1½" x 10'	30	54	540	1620
00158	2 x 10'	36	64	640	2304
00160	3 x 10'	54	48	480	2592
00162	4 x 10'	74	30	300	2220
00164	5 x 10'	90	24	240	2160
00168	6 x 10'	115	21	210	2415
00170	8 x 10'	165	10	100	1650
00172	10 x 10'	265	8	80	2120
00182	12 x 10'	325	6	60	1950
00185	15 x 10'	435	3	30	1305



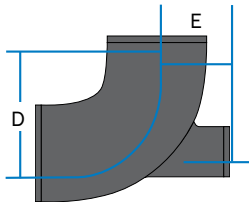
DIMENSIONS AND TOLERANCES NO-HUB PIPE BARRELS

Size	B Inside Diameter		J Outside Diameter		– T Thickness –	
	Norm.	Min.	Norm.	Min.	Norm.	Min.
1½"	1.50±.09	1.90±.06	.16	.13		
2"	1.96±.09	2.35±.09	.16	.13		
3"	2.96±.09	3.35±.09	.16	.13		
4"	3.94±.09	4.38+.09-.05	.19	.15		
5"	4.94±.09	5.30+.09-.05	.19	.15		
6"	5.94±.09	6.30+.09-.05	.19	.15		
8"	7.94±.13	8.38+13-.09	.23	.17		
10"	10.00±.13	10.56±.09	.28	.22		
12"	11.94±.13	12.50±.13	.28	.22		
15"	15.11±.13	15.83±.13	.36	.30		



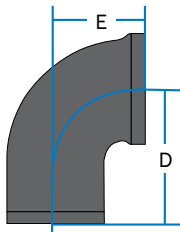
1/4 BEND

Part No.	Size	D	Wt.
00188	1 1/2"	4 1/4	2
00190	2"	4 1/2	3
00192	3"	5	4
00194	4"	5 1/2	7
00196	5"	6 1/2	9
00198	6"	7	14
00200	8"	8 1/2	34
00218	4 x 3"	5 1/2	6



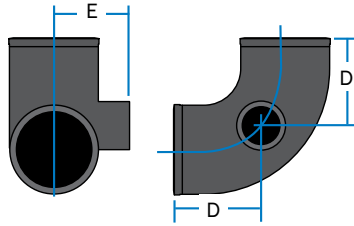
1/4 BEND W/LOW HEEL INLET

Part No.	Size	D	E	Wt.
00280	3 x 2"	5	2 7/8	5
00282	4 x 2"	5 1/2	3 1/4	9



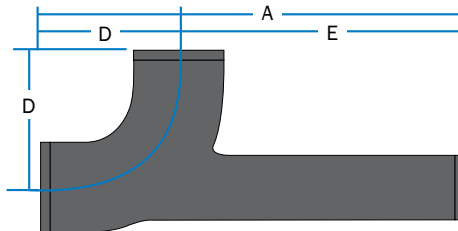
1/4 BEND TAPPED

Part No.	Size	D	E	Wt.
00326	1 1/2 x 1 1/2"	3	2	2
00335	2 x 1 1/4"	3 3/4	2 1/4	2
00330	2 x 1 1/2"	3 3/4	2 1/4	2
00332	2 x 2"	3 3/4	2 5/8	2



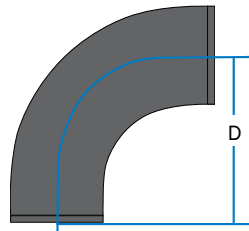
1/4 BEND with 2" SIDE OPENING

Part No.	Size	D	E	Wt.
06923	3 x 2"	4	3 1/4	4
06930	4 x 2"	4 5/16	3 3/4	8



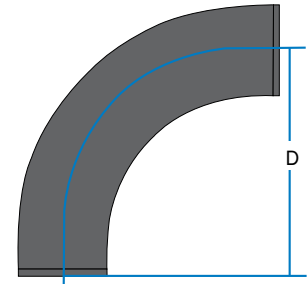
1/4 BEND EXTENDED LOW HEEL INLET

Part No.	Size	A	D	E	Wt.
08172	3 x 2"	15 1/2	5	10 1/2	8



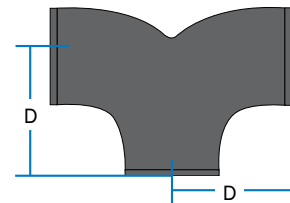
1/4 BEND SHORT SWEEP

Part No.	Size	D	Wt.
00462	2"	6 1/2	4
00464	3"	7	6
00468	4"	7 1/2	10
00470	5"	8 1/2	12
00472	6"	9	19
00474	8"	10 1/2	28
00476	10"	12	68
00482	12"	13 3/4	77
00485	15"	14 3/4	122



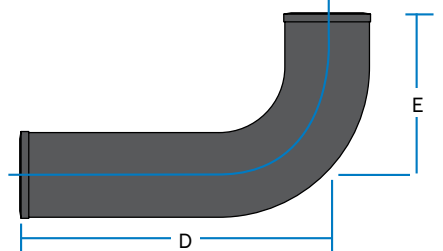
1/4 BEND LONG SWEEP

Part No.	Size	D	Wt.
00492	1 1/2"	9 1/4	4
00494	2"	9 1/2	5
00496	3"	10	8
00498	4"	10 1/2	13
00500	5"	11 1/2	15
00502	6"	12	19
07258	4 x 3"	10 1/2	12



DOUBLE 1/4 BEND

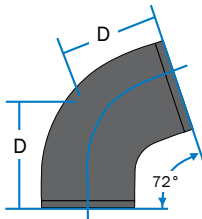
Part No.	Size	D	Wt.
00402	2"	4 1/2	4
00404	3"	5	6
00406	4"	5 1/2	12



1/4 BEND EXTENDED

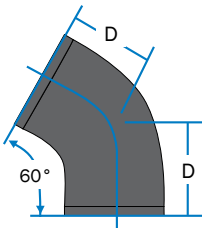
Part No.	Size	D	E	Wt.
07067	2 x 12"	12	4 1/2	5
00425	2 x 18"	18	4 1/2	7
62875	2 x 24"	24	4 1/2	11
07081	3 x 12"	12	5	7
07104	4 x 12"	12	5 1/2	10

NO-HUB FITTINGS



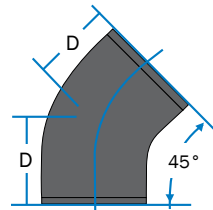
1/5 BEND

Part No.	Size	D	Wt.
00536	2"	3 ¹ / ₁₆	2
00538	3"	4 ¹ / ₁₆	4
00540	4"	4 ⁷ / ₁₆	7



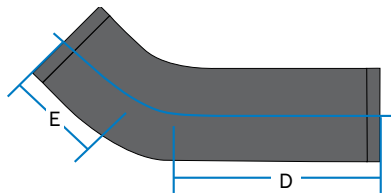
1/6 BEND

Part No.	Size	D	Wt.
00570	2"	3 ¹ / ₄	2
00572	3"	3 ¹ / ₂	4
00574	4"	3 ¹³ / ₁₆	6



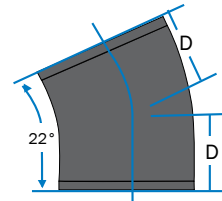
1/8 BEND

Part No.	Size	D	Wt.
00604	1 ¹ / ₂ "	2 ⁵ / ₈	1
00606	2"	2 ³ / ₄	2
00608	3"	3	3
00610	4"	3 ¹ / ₈	5
00612	5"	3 ⁷ / ₈	7
00614	6"	4 ¹ / ₁₆	9
00616	8"	5	20
00617	10"	5 ¹⁵ / ₁₆	28
00622	12"	6 ⁹ / ₁₆	39
00625	15"	7 ³ / ₁₆	62



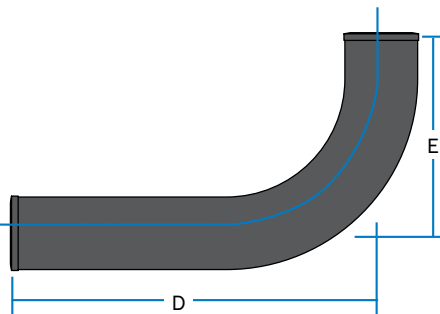
1/8 BEND EXTENDED

Part No.	Size	D	E	Wt.
00636	2 x 6"	6	3	3
00638	2 x 12"	12	2 ³ / ₄	6
00643	2 x 18"	18	2 ³ / ₄	7
07425	3 x 12"	12	3	8
07463	3 x 18"	18	3	11
07449	4 x 12"	12	3 ¹ / ₈	11



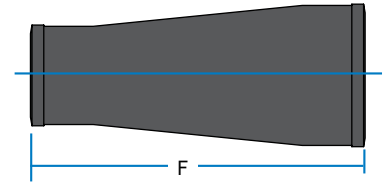
1/16 BEND

Part No.	Size	D	Wt.
00676	1 ¹ / ₂ "	2 ¹ / ₈	1
00678	2"	2 ¹ / ₈	2
00680	3"	2 ¹ / ₄	2
00682	4"	2 ⁵ / ₁₆	4
00684	5"	2 ⁷ / ₈	6
00686	6"	3	6
00688	8"	3 ³ / ₄	14



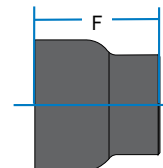
EXTENDED SHORT SWEEP

Part No.	Size	D	E	Wt.
19107	2 x 18"	18	6 ¹ / ₂	7
19060	2 x 24"	24	6 ¹ / ₂	11



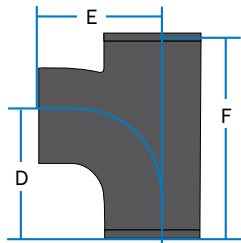
INCREASER - REDUCER

Part No.	Size	F	Wt.
09658	3 x 4"	8	5



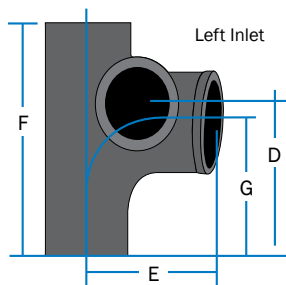
REDUCER (SHORT)

Part No.	Size	F	Wt.
02138	2 x 1 ¹ / ₂ "	3 ⁵ / ₈	1
02140	3 x 2"	3 ⁵ / ₈	1
02142	4 x 2"	3 ⁵ / ₈	2
02144	4 x 3"	3 ⁵ / ₈	2
83314	5 x 2"	4	3
02148	5 x 3"	4	4
02150	5 x 4"	4	4
02152	6 x 2"	4	4
02154	6 x 3"	4	5
02156	6 x 4"	4	4
02158	6 x 5"	4 ¹ / ₂	5
02160	8 x 2"	4 ¹ / ₂	8
02162	8 x 3"	4 ¹ / ₂	8
02164	8 x 4"	4 ¹ / ₂	7
02166	8 x 5"	5	9
02168	8 x 6"	5	8
02172	10 x 4"	5 ¹ / ₂	16
02174	10 x 6"	6	15
02175	10 x 8"	6	15
02184	12 x 4"	6 ¹ / ₂	20
02186	12 x 6"	6 ¹ / ₂	20
02188	12 x 8"	7	21
02190	12 x 10"	7 ¹ / ₂	25
02204	15 x 4"	7	32
02206	15 x 6"	7	35
02208	15 x 8"	7	34
02210	15 x 10"	7 ¹ / ₂	38
02212	15 x 12"	7 ³ / ₄	36



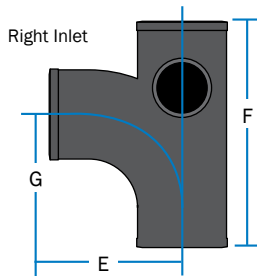
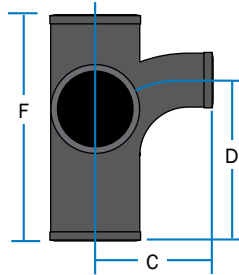
SANITARY TEE

Part No.	Size	D	E	F	Wt.
00806	1½"	4¼	4¼	6½	3
00808	2 x 1½"	4¼	4½	6¾	4
00810	2"	4½	4½	6¾	4
00812	3 x 1½"	4¼	5	6½	5
00814	3 x 2"	4½	5	6¾	4
00816	3"	5	5	8	5
00818	4 x 2"	4½	5½	6¾	7
00820	4 x 3"	5	5½	8	7
00822	4"	5½	5½	9¾	11
00824	5 x 2"	5	6½	8½	9
00826	5 x 3"	5½	6	9¾	10
00828	5 x 4"	6	6	10¾	12
00830	5"	6½	6½	11¾	13
00832	6 x 2"	5	6½	8¾	10
00834	6 x 4"	6	6½	10¾	12
00836	6"	7	7	12½	19
00838	6 x 3"	5½	6½	9¾	11
00840	6 x 5"	8½	8½	15½	17
00842	8 x 6"	7½	8	13½	25
00843	8 x 4"	6½	7½	11½	21
00844	8 x 3"	6	7½	10¾	20
00848	8 x 5"	7	8	11¾	23
00850	8"	8½	8½	14¾	32



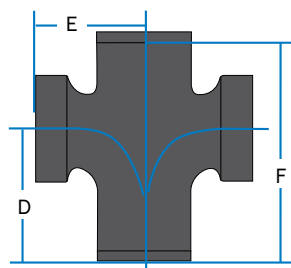
SANITARY TEE (with 2" 45° side opening above center) (New Orleans code)

Part No.	Size	D	E	F	G	Wt.
00975	3" LH	6	5	8½	5	6
00985	3" RH	6	5	8½	5	6
87831	3" RH & LH	6	5	8½	5	8
07920	4" LH	6½	5½	9¾	5½	9
07944	4" RH	6½	5½	9¾	5½	9



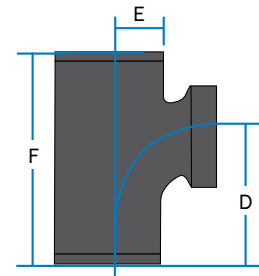
SANITARY TEE (with 2" 90° side opening above center) (New Orleans code)

Part No.	Size	C	D	E	F	G	Wt.
07838	3" LH	4½	6	5	8½	5	6
07852	3" RH	4½	6	5	8½	5	6
07876	3" R&L	4½	6	5	8½	5	7
07845	4" LH	5	6½	5½	9¾	5½	10
07869	4" RH	5	6½	5½	9¾	5½	10
07883	4" R&L	5	6½	5½	9¾	5½	10



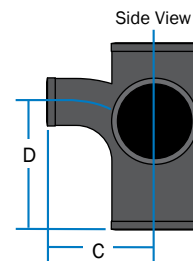
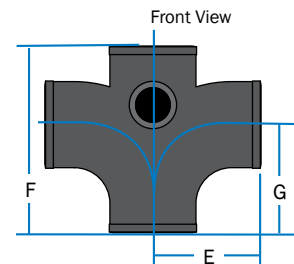
SANITARY TAP CROSS

Part No.	Size	D	E	F	Wt.
09283	1½ x 1½"	3¼	2¾	5¼	3
02014	2 x 1¼"	3¼	2¾	5¼	3
02016	2 x 1½"	3¼	2¾	5¼	4
02018	2 x 2"	3¾	3¼	6¾	4
09337	3 x 1½"	3¼	3¾	5¼	5
02024	3 x 2"	3¾	3¾	6¾	5
02028	4 x 1½"	3¼	3¾	5¼	6
02030	4 x 2"	3¾	4¼	6¾	8



SANITARY TAP TEE

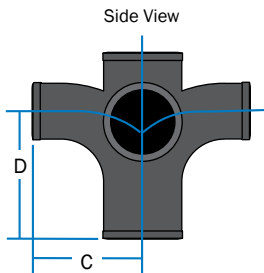
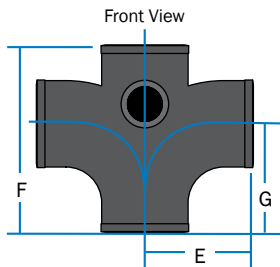
Part No.	Size	D	E	F	Wt.
01210	1½ x 1½"	3¼	2¾	5¼	2
01212	2 x 1¼"	3¼	2¾	5¼	3
01214	2 x 1½"	3¼	2¾	5¼	3
01216	2 x 2"	3¾	3¼	6¾	3
01220	3 x 1½"	3¼	3¾	5¼	4
01222	3 x 2"	3¾	3¾	6¾	4
01223	3 x 3"	4¾	4¾	8	7
01226	4 x 1½"	3¼	3¾	5¼	5
01228	4 x 2"	3¾	4¼	6¾	5
83277	4 x 3"	4½	4¾	8	7
01232	5 x 1½"	3¼	4¾	7¾	8
01234	5 x 2"	4¼	4¾	8	7
01238	6 x 1½"	3¼	4¾	6¾	9
01240	6 x 2"	4¼	5¼	7¾	8



SANITARY CROSS (with one 2" 90° sanitary openings above center) (New Orleans code)

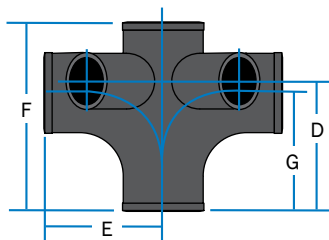
Part No.	Size	C	D	E	F	G	Wt.
09238	4"	5	6½	5½	9¾	5½	11

NO-HUB FITTINGS



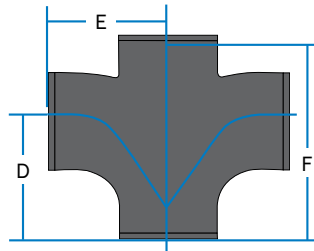
SANITARY CROSS
(with two 2" 90° sanitary opening
right & left above center)
(New Orleans code)

Part No.	Size	C	D	E	F	G	Wt.
09221	3"	4½	6	5	8½	5	9
09245	4"	5	6½	5½	9¾	5½	12



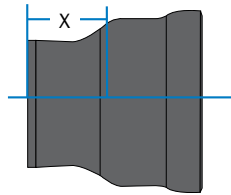
SANITARY CROSS
(with 2" 45° sanitary opening same side)
(New Orleans code)

Part No.	Size	D	E	F	G	Wt.
09252	3"	6	5	8	5	8
09269	4"	5½	5½	9¾	5½	11



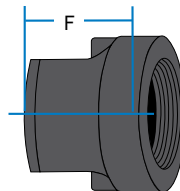
SANITARY CROSS

Part No.	Size	D	E	F	Wt.
01850	1½"	4¼	4¼	6½	3
01852	2"	4½	4½	6¾	4
01854	3 x 2"	4½	5	6¾	6
01856	3"	5	5	8	7
01858	4 x 2"	4½	5½	6¾	7
01860	4 x 3"	5	5½	8	8
01862	4"	5½	5½	9¼	10
01864	6 x 4"	6	6½	10¼	14
01866	6"	7	12½	7	21



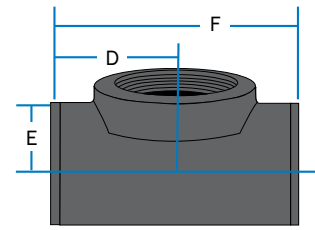
HUB ADAPTER

Part No.	Size	X	Wt.
02222	2"	4½	3
02224	3"	4¾	3
02226	4"	5¼	5



TAPPED ADAPTER

Part No.	Size	F	IPS	Wt.
02238	1½ x 1½"	2⅝	1½	1
02242	2 x 1½"	2¾	1½	1
02244	2 x 2"	2⅝	2	2
09948	3 x 2"	2¾	2	1

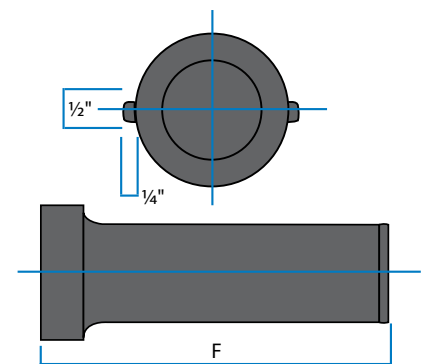


TEST TEE
(LESS BRASS PLUG)

Part No.	Size	E	F	D	IPS Tap	Wt.
02046	2"	2	6¾	3¾	2	3
02048	3"	2⅞	7¾	3¾	3	6
02050	4"	3	8¾	4¾	4	11
02052	5"	4½	11½	5¾	5	16
08278	4 x 3½"	3	8¾	4¾	3½	8
02054	6"	5	12½	6¼	6	23
02056	8"	6	15¼	7¾	8	38
02058	10"	6½	20	10	10	59

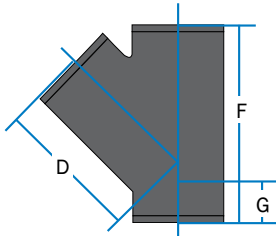
**TEST TEE WITH TYPE A
BRASS PLUG INSTALLED**

Part No.	Size	IPS Tap	E	F	D	Wt.
11736	2"	2	2	6¾	3¾	3
11743	3"	3	2⅞	7¾	3¾	6
11750	4"	4	3	8¾	4¾	10
11767	5"	5	4½	11½	5¾	16
11774	6"	6	5	12½	6¼	21
11781	8"	8	6	15¼	7¾	34



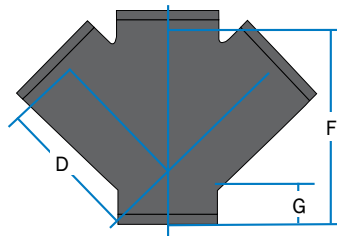
EXTENDED TAPPED ADAPTER

Part No.	Size	F	Wt.
02280	2 x 1½ x 18"	18	6
02282	2 x 1½ x 18"	18	6



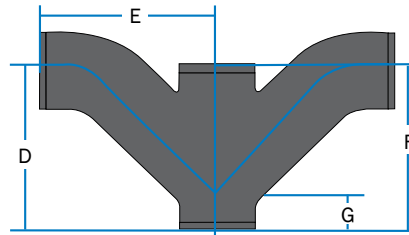
WYE

Part No.	Size	D	F	G	Wt.
01312	1½"	4	6	2	2
01314	2"	4½	6½	2	3
01316	3 x 2"	5½	6½	1½	4
01318	3"	5¾	8	2¼	6
01320	4 x 2"	6	6½	1	6
01322	4 x 3"	6½	8	1½	7
01324	4"	7¼	9½	2½	8
01326	5 x 2"	7½	8½	1½	7
01328	5 x 3"	8	9½	1½	9
01330	5 x 4"	8½	11½	2½	12
01332	5"	9½	12½	3½	15
01334	6 x 2"	8½	8½	½	10
01336	6 x 3"	8¾	9¾	1¼	13
01338	6 x 4"	9¼	11¾	1½	16
01340	6 x 5"	10¼	12½	2½	17
01342	6"	10¾	14½	3½	21
01344	8 x 2"	9¾	8½	¾	16
01346	8 x 3"	9¾	9½	¾	18
01348	8 x 4"	10¾	11½	1½	23
01350	8 x 5"	11¾	12½	1½	23
01352	8 x 6"	11¾	14½	2½	27
01354	8"	13¾	17½	3¾	40
01362	10 x 4"	11¾	12½	¾	37
01364	10 x 6"	13¾	15½	2½	48
01365	10 x 8"	14¾	18½	3½	50
01366	10"	16½	21½	5½	76
01372	12"	19¾	25½	5¾	107
01375	15"	23¼	30	6¾	204



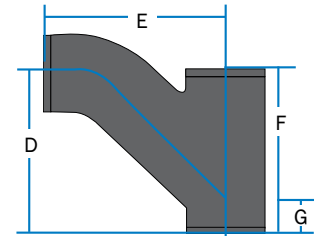
DOUBLE WYE

Part No.	Size	D	F	G	Wt.
01538	2"	4½	6½	2	4
01540	3 x 2"	5½	6½	1½	4
01542	3"	5¾	8	2¼	6
01544	4 x 2"	6	6½	1	7
01546	4 x 3"	6½	8	1½	7
01548	4"	7¼	9½	2½	12
01550	5 x 4"	8½	11½	2½	15
01552	6 x 4"	9¼	11¾	1½	18
01554	6"	10¾	14½	3½	23
01556	8"	13¾	17½	3¾	50
74445	8 x 4"	10¾	11½	2½	23
01557	8 x 6"	11¾	14½	2½	32



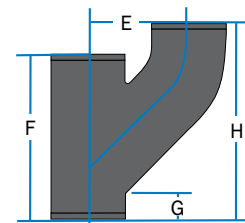
DOUBLE COMBINATION WYE AND 1/8 BEND

Part No.	Size	D	E	F	G	Wt.
01802	2"	5¾	6½	6½	2	6
01804	3 x 2"	5½	6¾	6½	1½	6
01806	3"	7½	8	8	2¼	12
01808	4 x 2"	5½	7¼	6½	1	9
01810	4 x 3"	7¼	8½	8	1½	12
01812	4"	9¼	10	9½	2½	20



COMBINATION WYE & 1/8 BEND

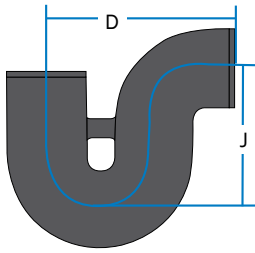
Part No.	Size	D	E	F	G	Wt.
01694	1½"	4¾	5¾	6	2	3
01696	2 x 1½"	5	5¾	6	2	3
01698	2"	5¾	6½	6½	2	4
83062	3 x 1½"	5½	6¾	6½	1½	4
01700	3 x 2"	5½	6¾	6½	1½	6
01702	3"	4¾	8	8	2¼	7
01704	4 x 2"	5½	7¼	6½	1	7
01706	4 x 3"	7¼	8½	8	1½	10
01708	4"	9¼	10	9½	2½	14
01710	5 x 2"	5½	7¾	8½	1½	9
01712	5 x 3"	7¾	9	9½	1½	12
01714	5 x 4"	9¾	10½	11¾	2½	17
01716	5"	11¾	12½	12½	3½	23
01718	6 x 2"	6	8¼	8½	½	11
01720	6 x 3"	7¾	9½	9¾	1¼	14
01722	6 x 4"	9¾	11	11¾	1½	17
01724	6 x 5"	11¾	13	12½	2½	21
01726	6"	13¾	14¾	14½	3½	28
01728	8 x 4"	9¾	11¾	11¾	¾	26
01732	8 x 6"	12	13¾	13½	2¼	31
01734	8"	14¾	15½	16½	3¾	53



UPRIGHT WYE

Part No.	Size	E	H	G	F	Wt.
01646	2"	5½	8¼	2	7	5
01648	3 x 2"	5½	8¾	1½	7	6
01650	3"	5½	8¾	2½	8¾	7
01652	4 x 2"	5½	8¼	1	7	7
01654	4 x 3"	5½	8¾	1½	8¾	10
01656	4"	6	9½	2½	9¾	14
08729	5 x 2"	9	6½	8	1	8
08750	5"	11¾	7½	12¾	2¾	21

NO-HUB FITTINGS

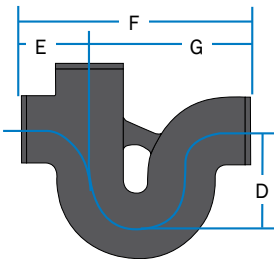


"P" TRAP

Part No.	Size	D	J	Wt.
02506	1½"	6¾	3½	3
02508	2"	7½	4	4
02510	3"	9	5½	9
02512	4"	10½	6½	17
02514	6"	14	7½	30

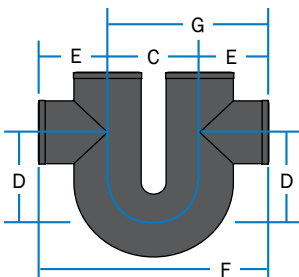
LONG "P" TRAP

Part No.	Size	D	J	Wt.
02527	2 x 12"	12	4	8
02530	2 x 18"	18	4	9



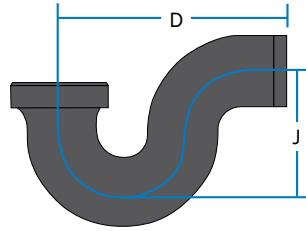
**RUNNING TRAP
(with 4" single vent)**

Part No.	Size	D	E	F	G	Wt.
02570	4 x 4"	6½	4½	15	10½	20



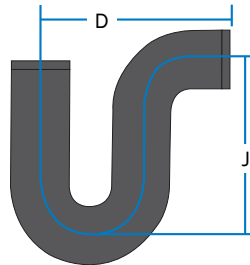
RUNNING TRAP WITH DOUBLE VENT

Part No.	Size	C	D	E	F	G	Wt.
02576	4"	6	6½	4½	15	10½	21



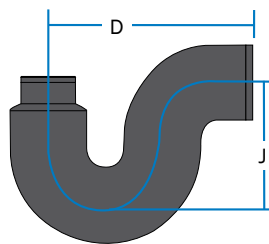
**"P" TRAP
(with tapped inlet)**

Part No.	Size	D	J	Wt.
02582	1½"	6¾	3½	3
02586	2 x 1½"	7½	4	4
02588	2"	7½	4	5



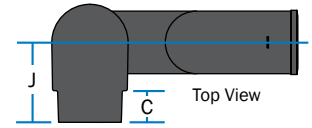
DEEP SEAL "P" TRAP

Part No.	Size	D	J	Wt.
02600	2"	7½	7	6
02610	3"	9	7	13
02567	4"	10½	8	17

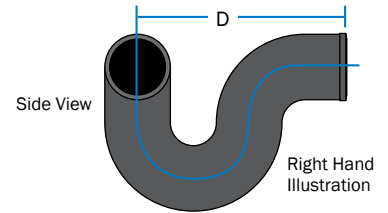


"P" TRAP (REDUCING)

Part No.	Size	D	J	Wt.
08548	3 x 2"	9	5½	10



Top View

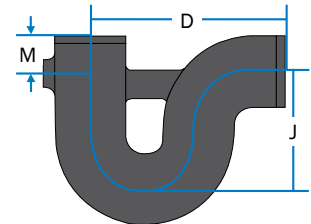


Side View

Right Hand Illustration

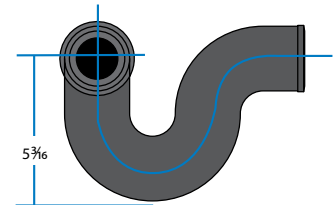
**"P" TRAP
(with 2" no-hub side inlet)**

Part No.	Size	C	D	J	Wt.
19268	2" LH	1¾	7½	3⅙	5
19275	2" RH	1¾	7½	3⅙	5



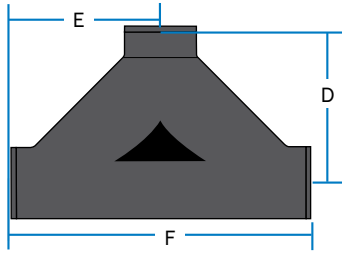
**"P" TRAP
(with ½" Tap Primer)**

Part No.	Size	D	J	M	Tap	Wt.
08530	2"	7½	4	2	½	5
08532	3"	9	5½	2	½	10
08534	4"	10½	6½	2	½	18



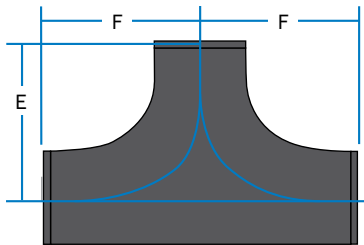
"P" TRAP WITH 1½" TAPPED SIDE INLET

Part No.	Size	Wt.
02602	2 x 1½" LH	6
02604	2 x 1½" RH	6



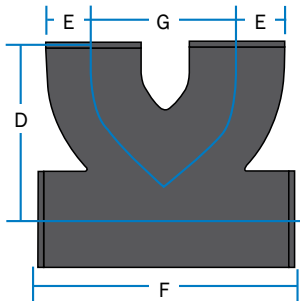
**TWO-WAY CLEANOUT FITTING
(Kelly)**

Part No.	Size	E	D	F	Wt.
08442	3 x 3 x 4"	7½	9	15	15
08444	4 x 3 x 4"	9¾	9½	19½	24
08446	4 x 4 x 4"	9¾	9½	18¾	26



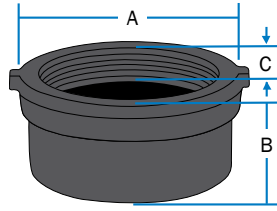
**TWIN CLEANOUT
(East Bay code)**

Part No.	Size	F	E	Wt.
02990	4 x 4 x 4"	7½	7½	15



TEXAS TWIN CLEANOUT

Part No.	Size	D	E	F	G	Wt.
03004	4 x 4 x 4"	8¼	2¾	12	6½	19

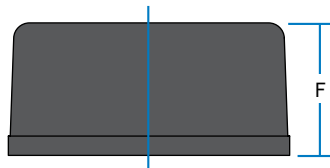


**IRONBODY CLEANOUT (FERRULE)
(tapped)**

Part No.	Size	Tap	A	B	C	Wt.
08562	2"	1½	2¾	1½	½	1
08564	3"	2½	2¾	3¾	¾	2
08566	4"	3½	2¾	4¾	¾	2
08568	5"	4	4½	5¾	1	7
08570	6"	5	4½	5¾	1	8
08572	8"	6	3¼	8¾	1	11

**IBCO (Ferrule)
(with Type A brass plug installed)**

Part No.	Size	F	IPS Tapping	Wt.
12108	2"	1¾	1½	1
12115	3"	1¾	2½	1
12122	4"	1¾	3½	2
12139	5"	3¾	4	6
12146	6"	3¾	5	7
12153	8"	3¾	6	10



BLIND PLUG

Part No.	Size	F	Wt.
02480	1½"	1¾	1
02482	2"	1¾	1
02484	3"	1¾	1
02486	4"	1¾	2
02488	5"	1¾	2
02490	6"	1¾	3
02492	8"	2¼	6
02494	10"	3	13
02496	12"	3½	18
02498	15"	3½	33

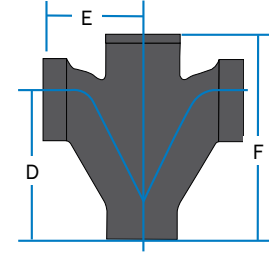


FIGURE 1

Part No.	Size	D	E	F	Wt.
08002	2 x 2 x 1½ x 1½"	4¾	3½	7	5

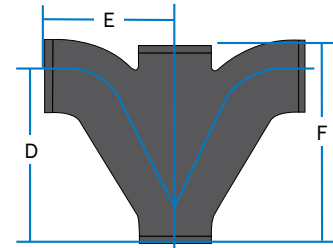


FIGURE 5

Part No.	Size	D	E	F	Wt.
08052	2"	6½	5	8	6
08054	3 x 2 x 3"	8¾	6¾	9¼	11
08056	3"	8¾	6¾	10½	11
08058	4 x 2 x 4"	10¼	7¾	11½	17
08062	4"	10¼	7¾	12	17

NO-HUB FITTINGS

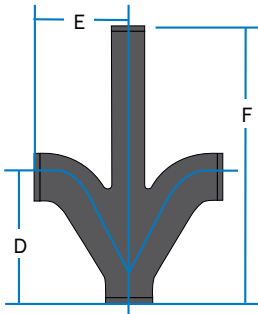


FIGURE 5 EXTENDED

Part No.	Size	D	E	F	Wt.
08088	3 x 2 x 3"	8 ⁷ / ₁₆	6 ¹ / ₁₆	16 ⁷ / ₁₆	15

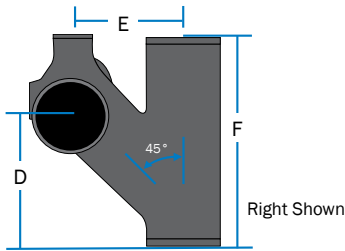


FIGURE 6 RIGHT/LEFT

Part No.	Size	D	E	F	Wt.
08100	3 x 2" - right	7 ⁷ / ₁₆	5 ¹ / ₁₆	11	11
08102	3 x 2" - left	7 ⁷ / ₁₆	5 ¹ / ₁₆	11	11
08104	4 x 2" - left	9	6 ¹ / ₂	13	18
08106	4 x 2" - right	9	6 ¹ / ₂	13	18

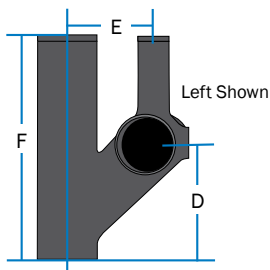


FIGURE 6 EXT. RIGHT/LEFT

Part No.	Size	D	E	F	Wt.
08120	3 x 2" - left	7 ⁷ / ₁₆	5 ¹ / ₁₆	17	18
08122	3 x 2" - right	7 ⁷ / ₁₆	5 ¹ / ₁₆	17	18
08124	4 x 2" - left	9	6 ¹ / ₂	17	26
08126	4 x 2" - right	9	6 ¹ / ₂	17	26

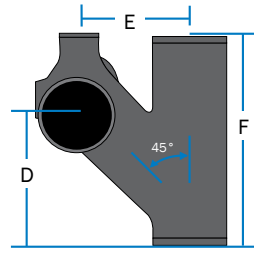


FIGURE 6 DOUBLE W/ FULL BAFFLE

Part No.	Size	D	E	F	Wt.
08127	3 x 2"	7 ⁷ / ₁₆	5 ¹ / ₁₆	11	13
08112	4 x 2"	9	8 ¹ / ₂	13	23

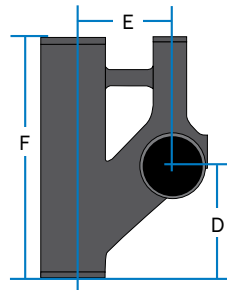


FIGURE 6 DOUBLE EXTENDED W/ FULL BAFFLE

Part No.	Size	D	E	F	Wt.
08129	4 x 2"	9	6 ¹ / ₂	17	27

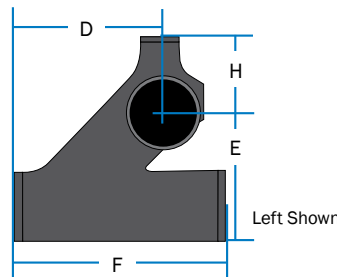


FIGURE 8 RIGHT/LEFT

Part No.	Size	D	E	F	H	Wt.
08136	3 x 2" - right	7 ⁷ / ₁₆	5 ¹ / ₁₆	11	3 ³ / ₁₆	13
08138	3 x 2" - left	7 ⁷ / ₁₆	5 ¹ / ₁₆	11	3 ⁷ / ₁₆	13
08140	4 x 2" - right	9	6 ¹ / ₂	13	4	21
08142	4 x 2" - left	9	6 ¹ / ₂	13	4	21

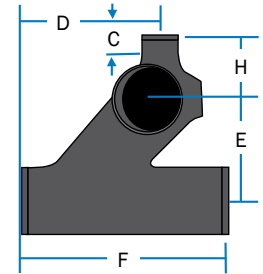


FIGURE 8 DOUBLE W/ FULL BAFFLE

Part No.	Size	D	E	F	C	H	Wt.
08159	3 x 2"	7 ⁷ / ₁₆	5 ¹ / ₁₆	11	4 ¹ / ₈	3 ⁷ / ₁₆	13

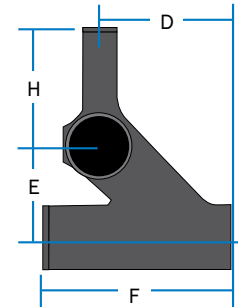


FIGURE 8 EXTENDED RIGHT/LEFT

Part No.	Size	H	D	E	F	Wt.
08160	4 x 2" - right	8	9	6 ¹ / ₂	13	23
08162	4 x 2" - left	8	9	6 ¹ / ₂	13	23

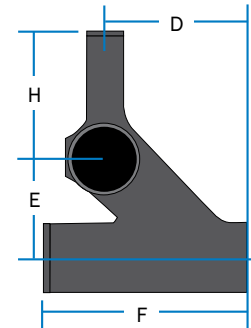
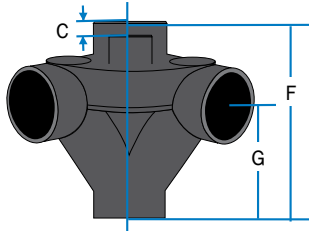


FIGURE 8 DOUBLE EXTENDED FULL BAFFLE

Part No.	Size	H	D	E	F	Wt.
08163	4 x 2"	8	9	6 ¹ / ₂	13	23



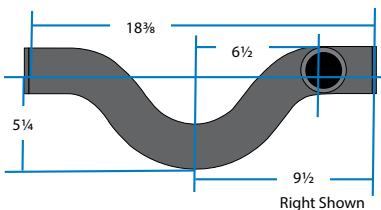
NO-HUB FITTINGS



PRISON FITTING
(with top vent and 2" opt. tap "A")

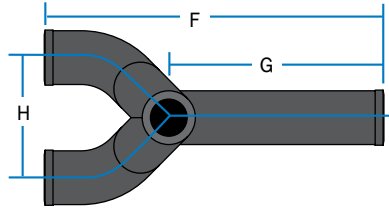
Part No.	Size	Description
09112	4"	Standard starter for prisons and correctional construction. Double 90° with single 2" top vent (9-502-A). Fully baffled. With tap.
09114	4"	Standard starter for prisons and correctional construction. Double 90° with single 2" top vent (9-502). Fully baffled. No Tap.
09116	4"	Standard starter for prisons and correctional construction. Double 90° with three 2" top vent (9-505). Fully baffled. No Tap.

Part No.	C	G	F	Wt.
09112 With Tap	5¼	7¾	11¾	22
09114 No Tap	5¼	7¾	11¾	22
09116 No Tap	5¼	7¾	11¾	22



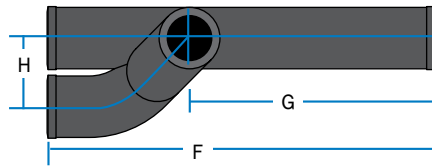
2" VENT BYPASS
(right or left hand inlet)

Part No.	Description	A	Wt.
09500	9-473	-	10
09502	9-473-B	-	11
09522	9-473-A	-	11
09524	9-473-A/B	-	11



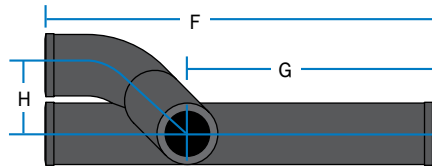
VENTED TUB WYE 9-474

Part No.	Size	G	H	F	Wt.
01412	2 x 15"	9½	5¼	15	9



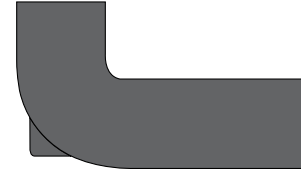
VENTED TUB WYE 9-494 LH

Part No.	Size	G	H	F	Wt.
18131	2"	9½	3¾	16	8



VENTED TUB WYE 9-494 RH

Part No.	Size	G	H	F	Wt.
18148	2"	9½	3¾	16	8



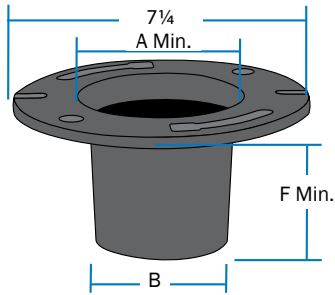
CLOSET BENDS

Part No.	Size	Wt.
02892	4 x 4 x 12"	11
02896	4 x 4 x 14"	11
02894	4 x 4 x 16"	15
02898	4 x 4 x 18"	13
02904	4 x 6 x 12"	11
02908	4 x 6 x 15"	15
02914	4 x 6 x 16"	13
02912	4 x 6 x 18"	16
02924	4 x 10 x 12"	16
02932	4 x 10 x 15"	17
02934	4 x 10 x 16"	16
02936	4 x 10 x 18"	19
02938	4 x 12 x 12"	12
02940	4 x 12 x 14"	18
02944	4 x 12 x 16"	20
02946	4 x 12 x 18"	24
02950	4 x 16 x 16"	23
02954	4 x 18 x 18"	25

CLOSET BENDS (REDUCING)

Part No.	Size	Wt.
02832	3 x 4 x 6 x 12"	10
02840	3 x 4 x 6 x 15"	10
02844	3 x 4 x 6 x 18"	13
02852	3 x 4 x 10 x 12"	12
02860	3 x 4 x 10 x 15"	16
02864	3 x 4 x 10 x 18"	16
02866	3 x 4 x 12 x 12"	16
02870	3 x 4 x 16 x 16"	18
02872	3 x 4 x 18 x 18"	25

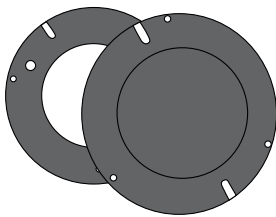
NO-HUB FITTINGS



**CLOSET RING
(No-hub)**

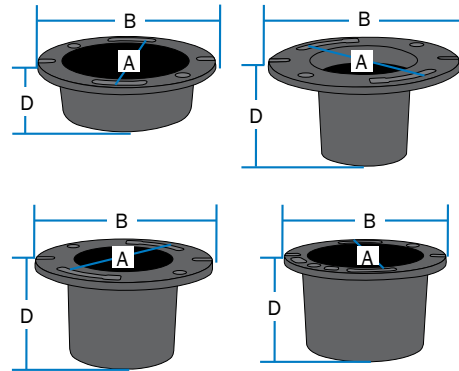
Part No.	Size	A	B	F	Wt.
02966	4 x 3 x 3 1/2"	4	3	3 1/2	4
02970	4 x 4"	4	4	4	5

*Used with no-hub coupling



BEST SET™ CLOSET RING

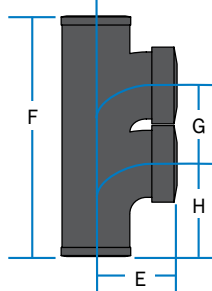
Part No.	Size	Box Qty	Wt.
08020	4 x 2" (with test cap)	12	3
08021	4 x 2"	12	3
08022	4 x 4"	8	4
08023	4 x 4" (with test cap)	8	4
08024	4 x 3" (with test cap)	12	3



**2-252 CLOSET FLANGE
(caulk joint application)**

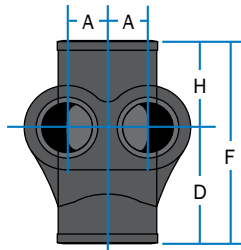
Part No.	Size x Height	A	B	D	Wt.
022848	4 x 1"	6 1/4	7 1/4	1	2
022855	4 x 1 1/2"	6 1/4	7 1/4	1 1/2	2
8003	4 x 2"	6 1/4	7 1/4	2	2
8013*	4 x 2"	6 3/8	7 1/4	2	2.8
022879	4 x 2 1/2"	6 1/4	7 1/4	2 1/2	3
022886	4 x 3"	6 1/4	7 1/4	3	4
8005	4 x 4"	6 1/4	7 1/4	4	5
022930*	4 x 4"	6 1/8	7 1/4	4	5
022909	4 x 5"	6 1/4	7 1/4	5	6
8017	4 x 6"	6 1/4	7 1/4	6	6
8015	4 x 2", 1" Offset	6	7	2	2.5
8018	4 x 4", 2" Offset	6 1/4	7 1/4	4	4.5
022947	4 x 3", 3" Reducing	6 1/4	7 1/4	3	3
8007	4 x 2"	6 1/4	7 1/4	2	3
8011	4 x 4 x 4"	6 1/4	7 1/4	4	4
8019	4 x 3 x 2 1/2"	6 1/4	7 1/4	2 1/2	3

*Portland Code, two 1/4" taps on top



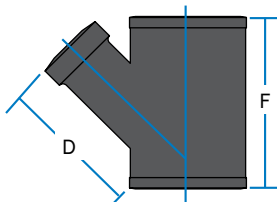
**DOUBLE VERTICAL
SANITARY TAPPED TEE**

Part No.	Size	E	F	G	H	Wt.
08194	2 x 1½"	2 ¹³ / ₁₆	9 ³ / ₄	4½	3 ³ / ₄	4



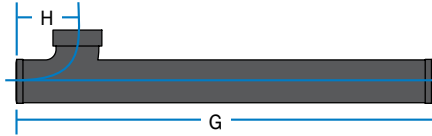
**HORIZONTAL TWIN SANITARY
TAPPED TEE**

Part No.	Size	A	D	F	H	Wt.
08170	3 x 1½"	1 ³ / ₈	4	7	3	8
08187	4 x 1½"	1 ³ / ₈	4	7	3	8



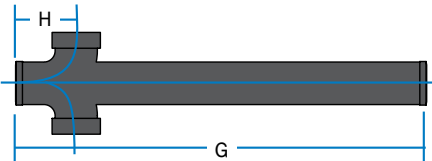
TAPPED WYE

Part No.	Size	D	F	Wt.
08460	2 x 1½"	5 ¹ / ₁₆	6 ⁵ / ₈	4
08477	2 x 2"	5 ¹ / ₁₆	6 ⁵ / ₈	5
08484	3 x 1½"	5 ³ / ₄	6 ⁵ / ₈	6
08491	3 x 2"	5 ¹³ / ₁₆	6 ⁵ / ₈	6
08514	4 x 1½"	6 ⁷ / ₁₆	6 ⁵ / ₈	6
08521	4 x 2"	6½	6 ⁵ / ₈	8



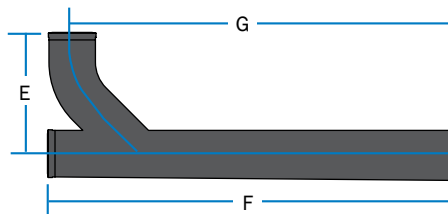
**9-391 EXTENDED
SANITARY TAPPED TEE**

Part No.	Size	H	G	Wt.
19305	2 x 1½ x 22 ⁷ / ₈ "	3 ³ / ₄	22 ⁷ / ₈	8
19312	2 x 2 x 22 ⁷ / ₈ "	3 ³ / ₄	22 ⁷ / ₈	8



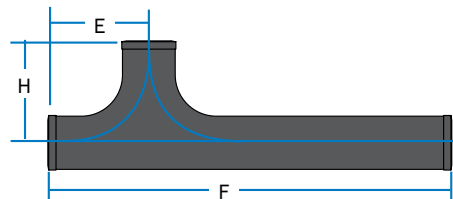
**9-396 EXTENDED
SANITARY TAPPED CROSS**

Part No.	Size	H	G	Wt.
19329	2 x 1½ x 22 ⁷ / ₈ "	3 ³ / ₄	22 ⁷ / ₈	10
19336	2 x 2 x 22 ⁷ / ₈ "	3 ³ / ₄	22 ⁷ / ₈	10



EXTENDED COMBINATION

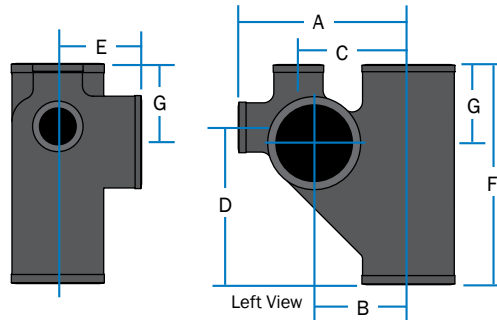
Part No.	Size	E	F	G	Wt.
19053	2 x 24"	6 ³ / ₁₆	25 ³ / ₈	24	14



TWO-WAY SANITARY TEE

Part No.	Size	E	F	H	Wt.
19145	2 X 18"	4½	18	4½	8
62868	2 x 24"	4½	24	4½	10

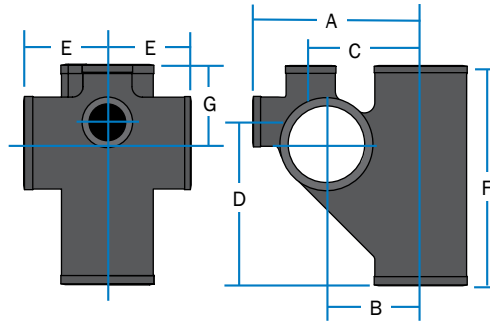
NO-HUB FITTINGS



9-458 VENTED CLOSET TEE (RIGHT OR LEFT)

(with 2" top vent and 2" side inlet)

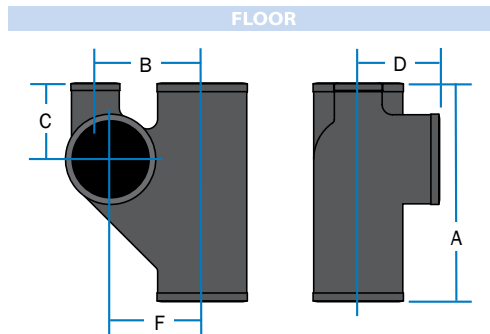
Part No.	Size	A	B	C	D	E	F	G	Wt.
10494	4x4x2x2x4x4"RH	8 $\frac{1}{8}$	4 $\frac{1}{4}$	5 $\frac{1}{4}$	7 $\frac{1}{2}$	4	10 $\frac{1}{2}$	3 $\frac{3}{4}$	13
10500	4x4x2x2x4x4"LH	8 $\frac{1}{8}$	4 $\frac{1}{4}$	5 $\frac{1}{4}$	7 $\frac{1}{2}$	4	10 $\frac{1}{2}$	3 $\frac{3}{4}$	13



9-464 VENTED CLOSET CROSS

(with 2" top vent and 2" side inlet, no baffle)

Part No.	Size	A	B	C	D	E	F	G	Wt.
10531	4x4x2x2x4x4"	8 $\frac{1}{8}$	4 $\frac{1}{4}$	5 $\frac{1}{4}$	7 $\frac{1}{2}$	4	10 $\frac{1}{2}$	3 $\frac{3}{4}$	16



10" CLOSET FITTINGS WITH 2" TOP VENT DESIGNED TO BE USED BELOW THE FLOOR

(left hand, right hand or double)

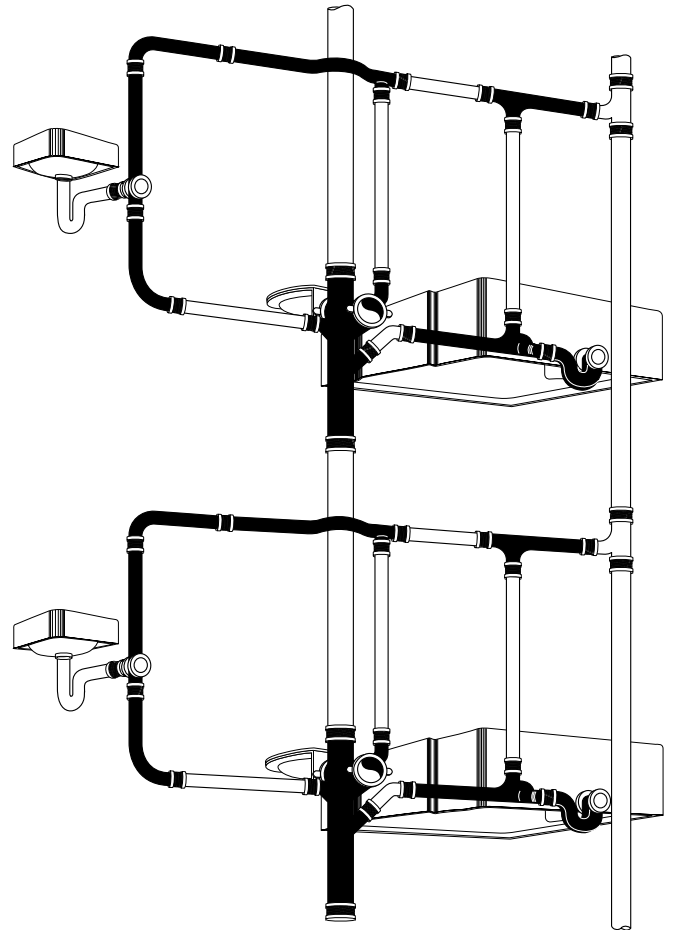
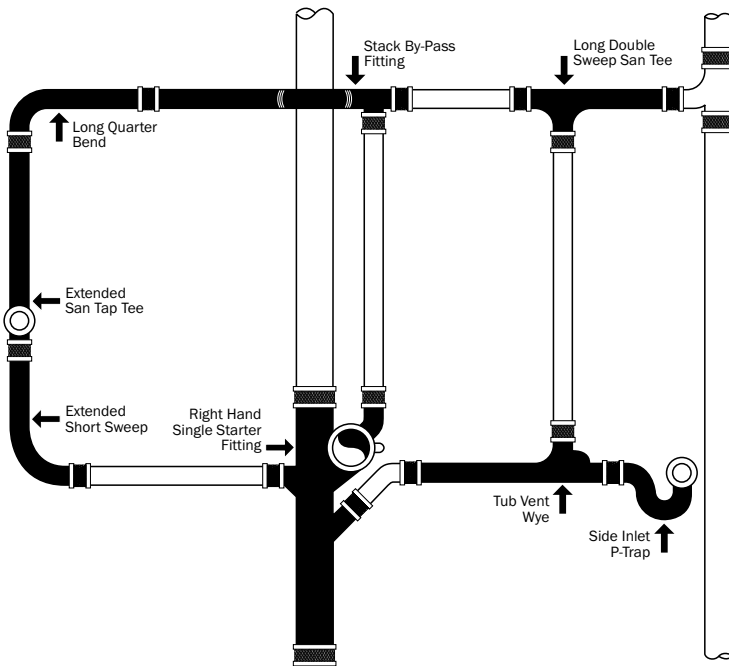
Part No.	Size	UPC# 611942	A	B	C	D	F	Wt.
10487 L	4"	9-457	10 $\frac{3}{4}$	6 $\frac{1}{2}$	3 $\frac{3}{4}$	4	4 $\frac{1}{2}$	13
10470 R	4"	9-457	10 $\frac{3}{4}$	6 $\frac{1}{2}$	3 $\frac{3}{4}$	4	4 $\frac{1}{2}$	13
10517**D	4"	9-463	10 $\frac{3}{4}$	6 $\frac{1}{2}$	3 $\frac{3}{4}$	4	4 $\frac{1}{2}$	15

When ordering please specify Left, Right or Double

**Double closet fitting has a baffle.



RUFWALL NO-HUB SPECIAL FITTINGS



RufWall Savings with Back Outlet Fixtures (Compared with Conventional Piping)

- Fewer floor penetrations
- Eliminates cost of dropped ceilings to conceal pipe
- No scaffolding needed
- One-man installation
- Waist-high venting
- Water closet easier to install...faster

The **by-pass fitting** permits in-line piping to reduce width of the chase, and individual venting of the lavatories.

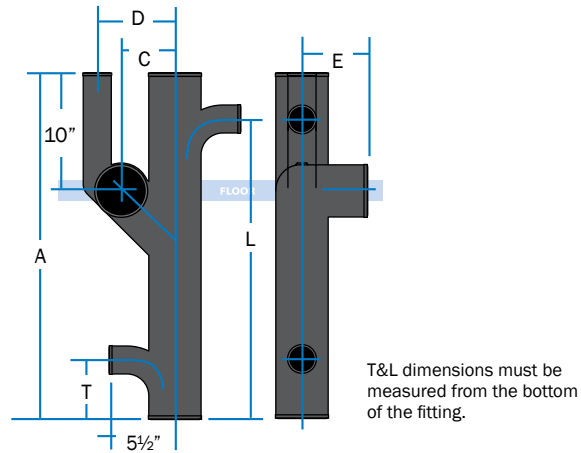
Tub wye fittings accept waste from two tubs and provide a common vent. They save space, materials and the labor to install duplicate systems.

NOTE:

Rufwall fittings are sold and shipped as normal cataloged soil products.

This publication contains the information needed to place orders with your customer service representative.

STARTER FITTINGS



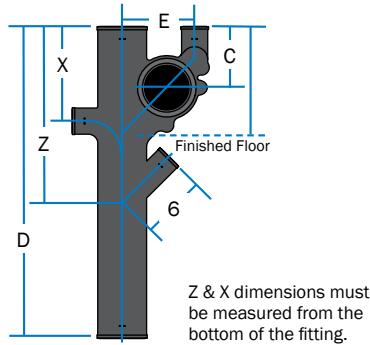
NEW YORK VERTICAL STACK STARTER FITTINGS (long barrel) EZS 400

Part No.	Size	A	L	C	D	E	T	Wt.
LEFT								
19527	4x30"	30	0	4½	6½	5½	0	34
90404	4x30"	30	6½	4½	6½	5½	0	35
19572	4x30"	30	12	4½	6½	5½	0	38
19497	4x30"	30	26½	4½	6½	5½	0	35
90381	4x30"	30	0	4½	6½	5½	4	34
90428	4x30"	30	26½	4½	6½	5½	4	34
90435	4x30"	30	26½	4½	6½	5½	4	34
90398	4x30"	30	0	4½	6½	5½	6½	34
90411	4x30"	30	6½	4½	6½	5½	6½	34
19466	4x30"	30	0	4½	6½	5½	12	31
19374	4x30"	30	26½	4½	6½	5½	12	30
RIGHT								
19510	4x30"	30	0	4½	6½	5½	0	33
90343	4x30"	30	6½	4½	6½	5½	0	35
19602	4x30"	30	12	4½	6½	5½	0	38
19480	4x30"	30	26½	4½	6½	5½	0	34
90329	4x30"	30	0	4½	6½	5½	4	34
90367	4x30"	30	26½	4½	6½	5½	4	29
90336	4x30"	30	0	4½	6½	5½	6½	34
90350	4x30"	30	6½	4½	6½	5½	6½	36
90374	4x30"	30	26½	4½	6½	5½	6½	36
19459	4x30"	30	0	4½	6½	5½	12	31
19367	4x30"	30	26½	4½	6½	5½	12	29
DOUBLE								
19534	4x30"	30	0	4½	6½	5½	0	30
90282	4x30"	30	6½	4½	6½	5½	0	37
19589	4x30"	30	12	4½	6½	5½	0	40
90268	4x30"	30	0	4½	6½	5½	4	38
90275	4x30"	30	0	4½	6½	5½	6½	36
90312	4x30"	30	26½	4½	6½	5½	6½	39
19473	4x30"	30	0	4½	6½	5½	12	36
19381	4x30"	30	26½	4½	6½	5½	12	39

*When ordering please specify Left, Right or Double.



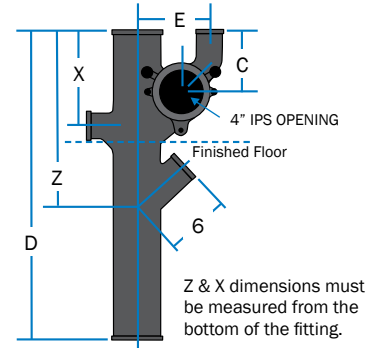
NO-HUB FITTINGS



9-471 NO-HUB STARTER FITTING WITH OR WITHOUT 2" NO-HUB INLETS (DESIGNED FOR USE ABOVE THE FLOOR WITH BACK-OUTLET WATER CLOSETS) (left hand, right hand or double)

Part No.	Size	Z	X	C	D	E	Wt.	EZS
LEFT								
21384 L	4 x 28"	16	0	5½	28	6½	30	810
21407 L	4 x 28"	16	8½	5½	28	6½	30	810
21339 L	4 x 28"	-	-	5½	28	6½	29	710
21353 L	4 x 28"	-	8½	5½	28	6½	32	710
RIGHT								
21391 R	4 x 28"	16	0	5½	28	6½	30	810
21414 R	4 x 28"	16	8½	5½	28	6½	30	810
21346 R	4 x 28"	-	-	5½	28	6½	29	710
21360 R	4 x 28"	-	8½	5½	28	6½	31	710
DOUBLE								
21322*D	4 x 28"	16	0	5½	28	6½	33	810
97598*D	4 x 28"	16	8½	5½	28	6½	38	810
21292*D	4 x 28"	-	-	5½	28	6½	32	710
21308*D	4 x 28"	-	8½	5½	28	6½	33	710

Trim package not included in price of fitting.
*Double starter fitting has a baffle.



9-371 THREADED STARTER FITTING WITH OR WITHOUT NO-HUB INLETS (DESIGNED FOR USE ABOVE THE FLOOR WITH BACK-OUTLET WATER CLOSETS) (left hand, right hand or double)

Part No.	Size	Z	X	C	D	E	Wt.	EZS
LEFT								
76149 L	4 x 28"	16	0	5½	28	6½	27	800
76163 L	4 x 28"	16	8½	5½	28	6½	29	800
76101 L	4 x 28"	-	-	5½	28	6½	29	700
76125 L	4 x 28"	-	8½	5½	28	6½	30	700
RIGHT								
76132 R	4 x 28"	16	0	5½	28	6½	36	800
76156 R	4 x 28"	16	8½	5½	28	6½	36	800
76095 R	4 x 28"	-	-	5½	28	6½	29	700
76118 R	4 x 28"	-	8½	5½	28	6½	30	700
DOUBLE								
76088*D	4 x 28"	16	0	5½	28	6½	42	800
76057*D	4 x 28"	16	8½	5½	28	6½	42	800
76071*D	4 x 28"	-	-	5½	28	6½	35	700
76064*D	4 x 28"	-	8½	5½	28	6½	36	700

Trim package not included in price of fitting.
*Double starter fitting has a baffle.

No-Hub Coupling Installation Instructions

Bracing

To prevent movement, horizontal pipe and fittings 5 inches and larger should be suitably braced by the use of blocks, rodding or other suitable methods at every branch or change of direction.

Test

For best results, testing of one floor (ten feet) at a time is recommended. If more than one floor at a time is tested, the system should be properly restrained; all bends, changes of direction and ends of runs should be restrained.

Coupling Material

No-hub sealing sleeves (gaskets) are made of Neoprene conforming to ASTM C564. Chemical characteristics of Neoprene assure that the gasket will not decay or deteriorate from contact with effluents in the pipe, or chemicals in the soil or air around the pipe.

Material Specifications

Bands: Type 301 AISI Stainless Steel - Minimum tensile strength 165,000 psi.

Screw Housing: Type 301 Stainless Steel, 5/16" hex head slant shoulder.

Shield: Type 301 AISI Stainless Steel – Bright annealed; Rockwell B-100 (Vickers 240) minimum.

Sealing Sleeve (Gasket): The sealing sleeve shall be tested in accordance with ASTM D3677 and be manufactured from a properly vulcanized virgin compound where the primary elastomer is polychloroprene (neoprene).



1. Loosen screws, separate shield and sleeve. Slip shield over one spigot.



2. Insert spigots into sleeve. Be sure that both spigots butt on center retainer inside sleeve.



3. Position shield over sleeve, tighten screws alternately to proper torque.

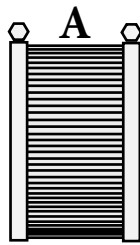
No-Hub Coupling Installation Instructions Cont.

Before Joining

1. Couplings should be installed with a calibrated torque wrench set at 60 inch pounds (1½" – 10") or 80 inch pounds (12" & 15").
2. When using field-cut pipe, the ends should be cut square.

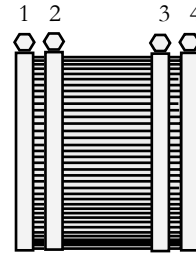
Joining Procedure

1. Install the Neoprene sealing sleeve on one end of the pipe or fitting to be joined.
2. Place the stainless steel shield over the other end to be joined.
3. Insert both ends into the sealing sleeve until they butt against the molded center stop, inside the sealing sleeve.
4. Center the shield over the sealing sleeve and tighten as directed below.



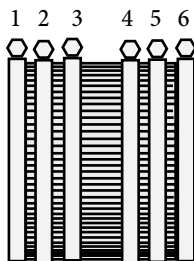
1½", 2", 3", 4" sizes

A. Tighten bands alternately to 60 inch pounds torque



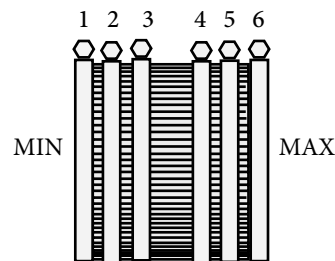
5", 6", 8", 10" sizes

A. Tighten bands 2" – 3" alternately to 60 inch pounds torque
B. Then bands #1 and #4 alternately to 60 inch pounds torque



12" & 15" sizes

A. Tighten bands 3 and 4 alternately to 80 pounds torque
B. Tighten bands 2 and 5 alternately to 80 inch pounds of torque
C. Tighten bands 1 and 6 alternately to 80 inch pounds of torque



Min-Max sizes

A. First torque the minimum side 3-2-1 and 3-2-1 again
B. Then torque the maximum side 4-5-6 and 4-5-6 again
C. Finally, torque 3-2 and 4-5 to 80 inch pounds

ALL HORIZONTAL PIPE AND FITTINGS, 5 INCHES AND LARGER, SHOULD BE BRACED TO PREVENT MOVEMENT AT EVERY BRANCH OR CHANGE OF DIRECTION

Cutting Instructions

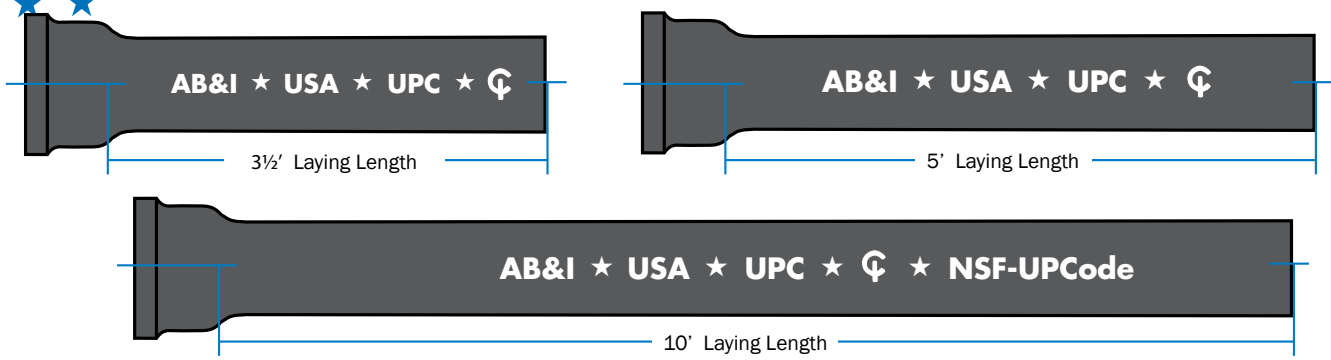
For best results, use a Twin-Lever Snap Cutter or a ratchet-type cutter equipped with a sharp chain and equally-spaced beveled cutting wheels. There are several methods that work well to cut Cast Iron Soil Pipe. When using the Twin-Lever Snap Cutter or ratchet-type cutter equipped with a chain and cutter wheels, make sure that they are sharp and the wheels will rotate in the chain. When using a cutoff-type abrasive saw, make sure to follow all safety procedures recommended by the manufacturer. At all times, read the safety instructions on any tool that is used to cut cast iron pipe.

Cutting Procedure

1. Position chain around pipe so that the maximum number of wheels are in contact with the pipe. Too much space between the first and last wheel in contact with the pipe will produce a poor quality cut, so be careful when positioning the chain around the pipe.
2. Score the pipe before making the final cut, applying only enough pressure to make the cutter wheel create a deep scratch in the pipe.
3. Release the pressure and rotate the tool slightly; then apply a quick final pressure to complete the cut. To produce the best result, it may be necessary to score the pipe several times before making the final cut.

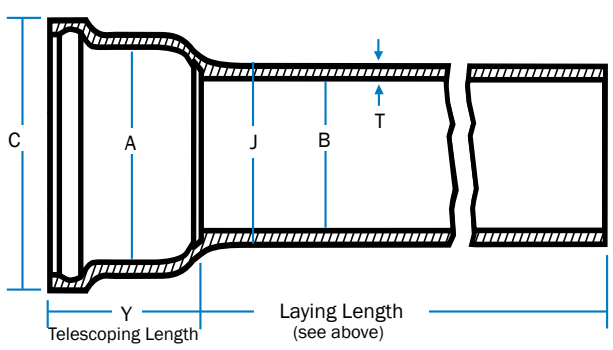


Note: If the cutter wheels become flattened or dull, it will be very difficult (if not impossible) to obtain a satisfactory cut. The life of the chain can be extended by reversing the chain to obtain equal use of all the wheels. It is also important to keep the mechanical features of a cutter in good working order. Proper safety equipment and attire is required.



SV SINGLE HUB PIPE

3 1/2 FT.				5 FT.				10 FT.			
Part No.	Size	Pcs/Pkg	Unit Wt.	Part No.	Size	Pcs/Pkg	Unit Wt.	Part No.	Size	Pcs/Pkg	Unit Wt.
244059	2"	102	15	000006	2"	102	20	000181	2"	36	38
244066	3"	60	23	000013	3"	60	31	000198	3"	36	57
244073	4"	46	30	000020	4"	46	42	000204	4"	27	80
244080	5"	32	39	000037	5"	32	55	000211	5"	24	97
244097	6"	24	45	000044	6"	24	62	000228	6"	18	128
000273	8"	15	78	000051	8"	15	100	000235	8"	15	190
000280	10"	8	116	000068	10"	8	150	000242	10"	8	270
000297	12"	6	145	000075	12"	6	190	000259	12"	6	325
000303	15"	3	205	000082	15"	3	260	000266	15"	3	497



DOUBLE HUB, 30" LENGTHS

Part No.	Size	L	Pcs/Pkg	Wt.
000310	2"	25"	140	12
000327	3"	24 1/2"	80	17
000334	4"	24"	50	26

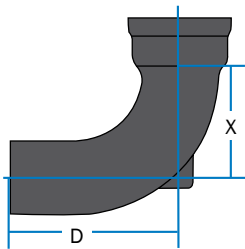
SV SINGLE HUB PIPE

Size	Telescoping Length	Hub I.D.	Hub O.D.	Barrel O.D.	Barrel I.D.	Nominal Thickness	Minimum Thickness
	Y	A	C	J	B	T	T
2"	2.50	2.94	3.62	2.30	1.96	0.17	0.14
3"	2.75	3.94	4.68	3.30	2.96	0.17	0.14
4"	3.00	4.94	5.68	4.30	3.94	0.18	0.15
5"	3.00	5.94	6.68	5.30	4.94	0.18	0.15
6"	3.00	6.94	7.68	6.30	5.94	0.18	0.15
8"	3.50	9.25	10.13	8.40	7.94	0.23	0.17
10"	3.50	11.38	12.44	10.50	9.94	0.28	0.22
12"	4.25	13.50	14.56	12.50	11.94	0.28	0.22
15"	4.25	16.95	18.11	15.88	15.16	0.36	0.30



PIPE, 5' LENGTHS, DOUBLE HUB

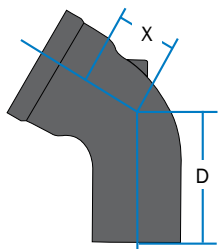
Part No.	Size	L	Wt.
400864	2" x 5'	4' 9 1/2"	22
400865	3" x 5'	4' 9 1/4"	32
400866	4" x 5'	4' 9"	43
400867	5" x 5'	4' 9"	58
400868	6" x 5'	4' 9"	70



1/4 BEND

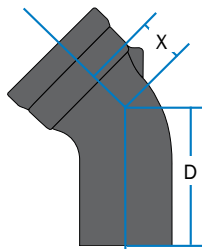
Part No.	Size	X	D	Wt.
000341	2"	3 1/4	6	4
000358	3"	4	7	6
000365	4"	4 1/2	8	11
000372	5"	5	8 1/2	17
000389	6"	5 1/2	9	20
000396	8"	6 3/8	11 1/2	41
000402	10"	7 5/8	12 1/2	59
000419	12"	8 3/4	15	79
000426*	15"	10 1/4	16 1/2	218

*XH only



1/6 BEND

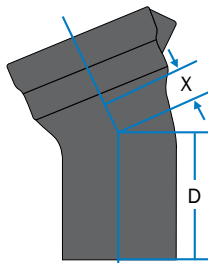
Part No.	Size	X	D	Wt.
000464	2"	2	4 3/4	4
000471	3"	2 1/2	5 1/2	6
000488	4"	2 13/16	6 5/16	10
383116	5"	3 1/8	6 3/8	14
000495	6"	3 3/8	6 7/8	17
328536	8"	4 1/8	9	33
000501	10"	4 11/16	9 9/16	44



1/8 BEND

Part No.	Size	X	D	Wt.
000518	2"	1 1/2	4 1/4	4
000525	3"	1 15/16	4 15/16	6
000532	4"	2 3/16	5 11/16	9
000549	5"	2 3/8	5 7/8	11
000556	6"	2 9/16	6 1/16	13
000563	8"	3 1/8	8	34
000570	10"	3 1/2	8 3/8	50
000587	12"	4 1/16	10 5/16	69
000594*	15"	4 11/16	10 15/16	144

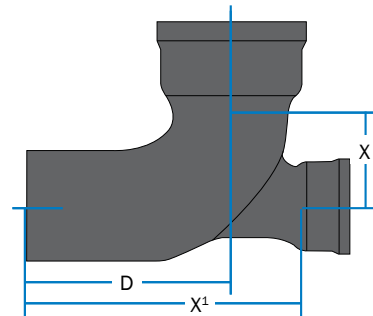
*XH only



1/16 BEND

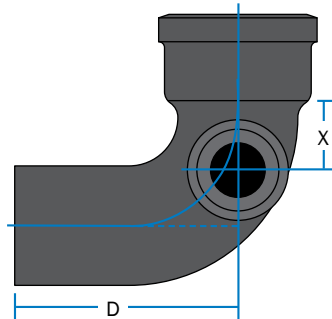
Part No.	Size	X	D	Wt.
000600	2"	7/8	3 5/8	3
000617	3"	1 3/16	4 3/16	6
000624	4"	1 5/16	4 13/16	8
000631	5"	1 3/8	4 7/8	12
000648	6"	1 1/2	5	12
000655	8"	1 13/16	6 11/16	25
000662	10"	2	6 7/8	39
000679	12"	2 3/8	8 3/8	56
000686*	15"	2 5/8	8 7/8	78

*XH only



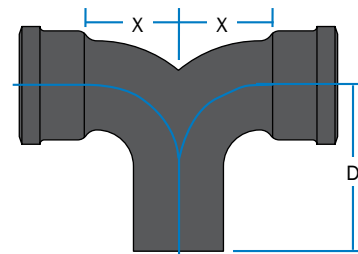
1/4 BEND w/low heel inlet

Part No.	Size	X	X ¹	D	Wt.
000716	3 x 2"	4	9	7	9
000723	4 x 2"	4 1/2	10 1/2	8	13



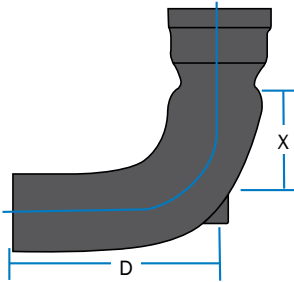
1/4 BEND WITH SIDE INLET (cup hub inlet)

Part No.	Size	D	X	Wt.
047698	4" w/2" RH	8	4 1/2	17
047704	4" w/2" LH	8	4 1/2	17



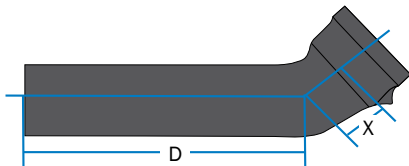
DOUBLE 1/4 BEND

Part No.	Size	D	X	Wt.
392002	4"	8	4 1/2	15



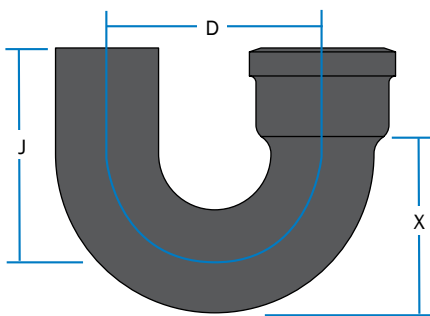
**1/4 BEND,
REDUCING**

Part No.	Size	D	X	Wt.
100089	3 x 2"	7	3 ³ / ₈	7
000747	4 x 2"	7	3 ¹ / ₂	12
000754	4 x 3"	8 ¹ / ₈	4 ¹ / ₄	10



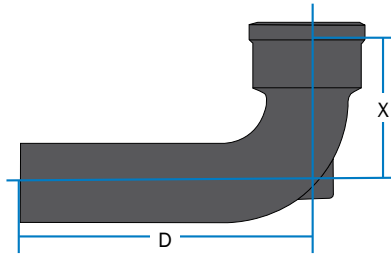
LONG 1/8 BEND

Part No.	Size	X	D	Wt.
000983	3 x 12"	1 ¹ / ₁₆	12	10
000990	3 x 18"	1 ¹ / ₁₆	18	12
001003	4 x 12"	2 ³ / ₁₆	12	16
001010	4 x 18"	2 ³ / ₁₆	18	18
393023	6 x 18"	2 ⁹ / ₁₆	18	31



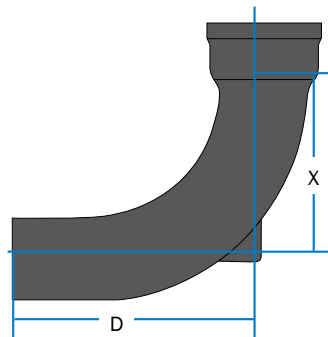
SINGLE HUB RETURN BEND

Part No.	Size	D	X	J	Wt.
001027	3"	5 ⁵ / ₈	5	5 ⁷ / ₈	10
001034	4"	7 ¹ / ₂	6 ¹ / ₃₀	7 ³ / ₁₆	17



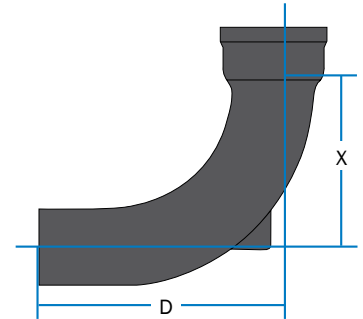
LONG 1/4 BEND

Part No.	Size	X	D	Wt.
000792	2 x 12"	3 ¹ / ₄	12	7
000808	2 x 18"	3 ¹ / ₄	18	8
000815	3 x 12"	4	12	11
000839	4 x 12"	4 ¹ / ₂	12	16
000860	4 x 18"	4 ¹ / ₂	18	22
000877	4 x 24"	4 ¹ / ₂	24	28



SHORT SWEEP 1/4 BEND

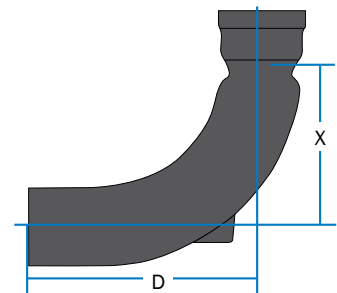
Part No.	Size	X	D	Wt.
001102	2"	5 ¹ / ₄	8	6
001119	3"	6	9	9
001126	4"	6 ¹ / ₂	10	13
001133	5"	7	10 ¹ / ₂	16
001140	6"	7 ¹ / ₂	11	20
001157	8"	8 ⁵ / ₈	13 ¹ / ₂	48
001164	10"	9 ⁵ / ₈	14 ¹ / ₂	78
001171	12"	10 ³ / ₄	17	101



LONG SWEEP 1/4 BEND

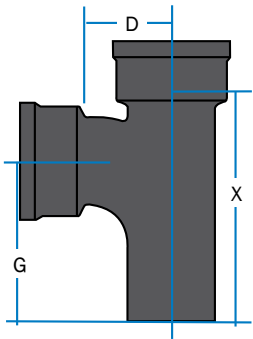
Part No.	Size	X	D	Wt.
001041	2"	8 ¹ / ₄	11	7
001058	3"	9	12	11
001065	4"	9 ¹ / ₂	13	16
001072	5"	10	13 ¹ / ₂	20
001089	6"	10 ¹ / ₂	14	30
001096	8"	11 ⁵ / ₈	16 ¹ / ₂	54
382638	10"	12 ⁵ / ₈	17 ¹ / ₂	83
383581	12"	13 ³ / ₄	20	104
393016*	15"	15 ¹ / ₄	21 ¹ / ₂	174

*XH only



**LONG SWEEP 1/4 BEND,
REDUCING**

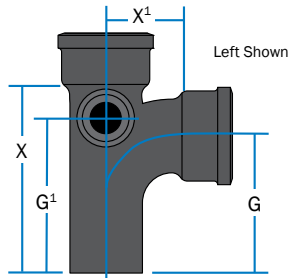
Part No.	Size	X	D	Wt.
001188	3 x 2"	9	12	11
001195	4 x 3"	9 ¹ / ₂	13	13



SANITARY TEE

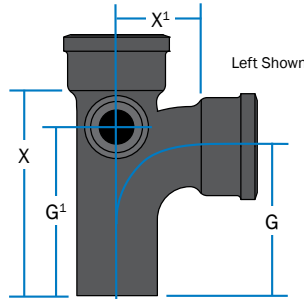
Part No.	Size	X	D	G	Wt.
001287	2"	8	2¾	6¼	7
001294	3 x 2"	9	4	7	11
001300	3"	10	4	7½	11
001317	4 x 2"	9	4½	7	13
001324	4 x 3"	10	4½	7½	15
001331	4"	11	4½	8	17
001348	5 x 4"	11	5	8	18
001355	5"	12	5	8½	19
001362	6 x 2"	9	5½	7	17
001379	6 x 3"	10	5½	7½	19
001386	6 x 4"	11	5½	8	24
001393	6"	13	5½	9	29
001409	8 x 4"	13	6½	9¾	38
001416	8 x 6"	15	6½	10¾	40
001423	8"	17	6¾	11¾	49
001430	10 x 4"	13	7½	9¾	50
001447	10 x 6"	15	7½	10¾	55
001454	10 x 8"	17	7¾	11¾	68
001461	10"	19	7¾	12¾	78
001508	12"	22½	8¾	15	113
001478	12 x 6"	16½	8½	12	79
001485	12 x 8"	18½	8¾	13	111
001492	12x10"	20½	8¾	14	123
001553*	15"	25½	10¼	16½	245
001522	15 x 8"	18½	10¾	13	180

* XH only



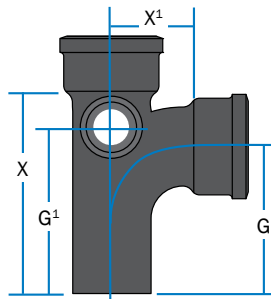
SANITARY TEE WITH SIDE TAP

Part No.	Size	G	G¹	X	X¹	Wt.
002369	4" w/2"RH Tap	8	9	11	4½	17
002376	4" w/2"LHTap	8	9	11	4½	17



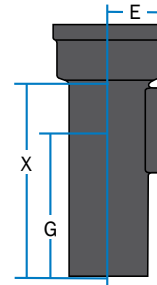
SANITARY TEE WITH SIDE INLET

Part No.	Size	G	G¹	X	X¹	Wt.
002284	4" w/2"RH	8	9	11	4½	20
002307	4" w/2"LH	8	9	11	4½	20



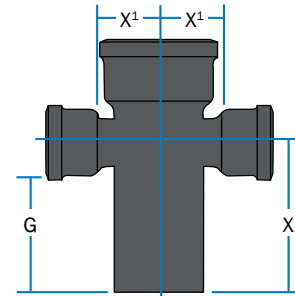
SANITARY TEE WITH RIGHT AND LEFT HAND SIDE TAPS

Part No.	Size	G	G¹	X	X¹	Wt.
002383	4" w/2"	8	9	11	4½	17



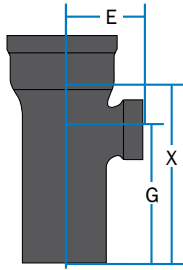
STRAIGHT TAPPED TEE

Part No.	Size	X	E	G	Wt.
002963	2x1½"	8	2	6¼	6
024507	2x2"	8	2	6¼	6
002994	3x1½"	9	2½	7	8
003007	3x2"	9	2½	7	8
003045	4x2"	9	3	7	11
003045	4x3"	11	3	8	14
003069	4x4"	9	3	7	15
003076	5x2"	12	3½	7¾	13
003083	5x4"	12	3½	8½	15
003090	6x2"	13¼	3¾	9	26
003106	6x4"	13	4	9	25



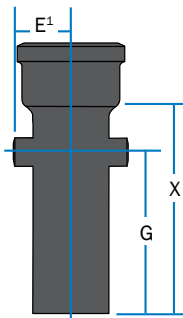
STRAIGHT CROSS

Part No.	Size	G	X	X¹	Wt.
102588	4 x 2"	7	9	3	16
102595	4"	8	11	3	17



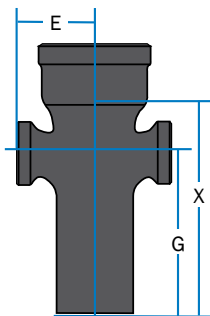
SANITARY TAPPED TEE

Part No.	Size	X	E	G	Wt.
003137	2 x 1½"	8	2 13/16	6 1/4	6
003144	2 x 2"	8	3 1/16	6 1/4	7
003168	3 x 1½"	9	3 3/16	7	8
003175	3 x 2"	9	3 3/16	7	9
003182	3 x 3"	10	3 3/16	7 1/4	11
003205	4 x 1½"	9	3 13/16	7	11
003212	4 x 2"	9	4 1/16	7	13
399247	4 x 3"	11	3 15/16	8	14



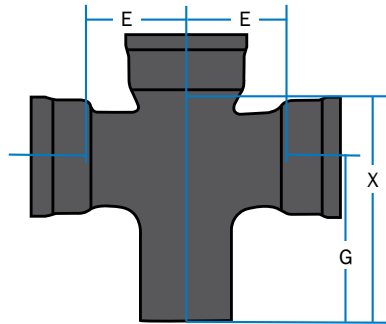
STRAIGHT TAPPED CROSS

Part No.	Size	E¹	G	X	Wt.
003311	3 x 2"	2 1/2	7	9	10
003328	4 x 2"	3	7	9	14



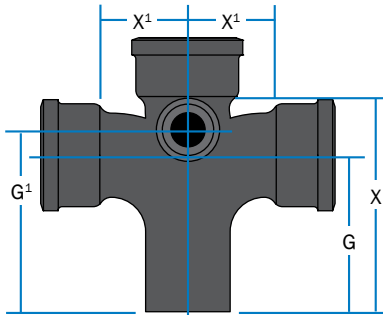
TAPPED SANITARY CROSS

Part No.	Size	X	E	G	Wt.
003359	2x1½"	8	4 1/4	6 1/4	8
003366	2 x 2"	8	4 1/4	6 1/4	8
003380	3 x 1½"	9	4 1/4	7	10
003397	3 x 2"	9	4 1/4	7	10
003410	4 x 1½"	9	5	7	12
003427	4 x 2"	9	5	7	12



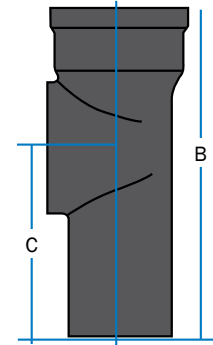
**SANITARY CROSS
(no baffle)**

Part No.	Size	X	E	G	Wt.
002512	2"	8	3 1/4	6 1/4	9
002529	3 x 2"	9	4	7	13
002536	3"	10	4	7 1/2	15
002543	4 x 2"	9	4 1/2	7	15
002550	4 x 3"	10	4 1/2	7 1/2	18
002567	4"	11	4 1/2	8	19
002574	5 x 4"	11	5	8	23
383321	6"	13	5 1/2	9	44
102618	6 x 4"	11	5 1/2	8	29



**SANITARY CROSS WITH
2" SIDE OPENING**

Part No.	Size	G	G¹	X	X¹	Wt.
002871	4"	8	9	11	4 1/2	27



**2-70 TEST TEE
(SV less plug)**

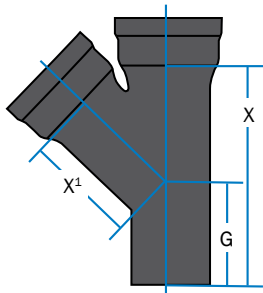
Part No.	Pipe Size	Tap Size	B	C	Wt.
024507	2"	2	8	6 1/4	6
024521	3"	3	10 1/8	7 3/8	10
024545	4"	3 1/2	11 1/8	8	14
024569*	4"	3 1/2	9	6 1/4	10
024583	4"	4	11 1/8	8	14
024576*	4"	4	9	6 1/4	10
024606	5"	5	11	7	22
024613	6"	6	13	8 3/4	26
024637	8"	8	16 3/8	11	47
024668	10"	10	17 5/8	11	73

**2-70 TEST TEE
W/TYPE A PLUG**

Part No.	Pipe Size	Tap Size	B	C	Wt.
024675	2"	2	8	6	6
024699	3"	3	10 1/8	7 3/8	11
024750	4"	3 1/2	11 1/8	8	18
024712*	4"	3 1/2	9	6 1/4	11
024736*	4"	4	9	6 1/4	-
024774	4"	4	11 1/8	7	15
024798	5"	5	11	7	11
024811	6"	6	13	8 3/4	28
024835	8"	8	16 3/8	11	51
383079**	12"	8	18 1/2	13	-

* Short Laying Length

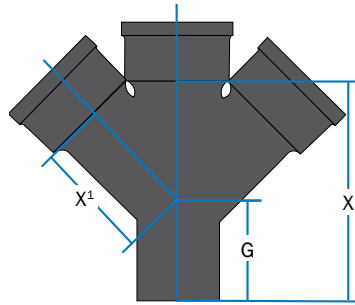
** Southern Raised Head



WYE

Part No.	Size	X	X1	G	Wt.
001560	2"	8	4	4	8
001577	3 x 2"	9	5	4 ³ / ₁₆	9
001584	3"	10 ¹ / ₂	5 ¹ / ₂	5	14
001591	4 x 2"	9	5 ³ / ₄	3 ³ / ₈	13
001607	4 x 3"	10 ¹ / ₂	6 ¹ / ₄	4 ⁷ / ₁₆	13
001614	4"	12	6 ³ / ₄	5 ¹ / ₄	18
001621	5 x 2"	9	6 ¹ / ₂	3 ¹ / ₈	14
001638	5 x 3"	10 ¹ / ₂	7	3 ⁷ / ₈	17
001645	5 x 4"	12	7 ¹ / ₂	4 ¹ / ₁₆	19
001652	5"	13 ¹ / ₂	8	5 ¹ / ₂	23
001669	6 x 2"	9	7 ¹ / ₄	2 ⁹ / ₁₆	17
001676	6 x 3"	10 ¹ / ₂	7 ³ / ₄	3 ³ / ₈	17
001683	6 x 4"	12	8 ¹ / ₄	4 ³ / ₁₆	21
001690	6 x 5"	13 ¹ / ₄	8 ³ / ₄	4 ¹⁵ / ₁₆	31
001706	6"	15	9 ¹ / ₄	5 ³ / ₄	36
383482	8x2"	10 ¹ / ₂	8 ¹ / ₂	3 ¹ / ₈	31
387848	8 x 3"	12	9	3 ¹⁵ / ₁₆	33
001713	8 x 4"	13 ¹ / ₂	9 ¹ / ₂	4 ³ / ₄	45
001720	8 x 5"	15	10	5 ¹ / ₂	46
001737	8 x 6"	16 ¹ / ₂	10 ¹ / ₂	6 ⁵ / ₁₆	53
001744	8"	19 ¹ / ₂	11 ¹³ / ₁₆	7 ¹ / ₁₆	65
001751	10 x 3"	12	10 ³ / ₄	2 ³ / ₄	56
001768	10 x 4"	13 ¹ / ₂	11 ¹ / ₈	3 ⁹ / ₁₆	64
001775	10 x 5"	15	11 ¹ / ₈	4 ⁹ / ₁₆	65
001782	10 x 6"	16 ¹ / ₂	12 ¹ / ₂	5 ¹ / ₈	76
001799	10 x 8"	19 ¹ / ₂	13 ⁷ / ₁₆	6 ¹ / ₂	85
001805	10"	22 ¹ / ₂	14 ¹ / ₂	8	107
001812	12 x 4"	15	12 ⁷ / ₁₆	4 ¹ / ₈	76
001829	12 x 5"	16 ¹ / ₂	12 ¹⁵ / ₁₆	4 ⁷ / ₈	75
001836	12 x 6"	18	13 ⁷ / ₁₆	5 ¹¹ / ₁₆	84
001843	12 x 8"	21	14 ³ / ₄	7 ¹ / ₁₆	110
001850	12 x 10"	24	15 ¹³ / ₁₆	8 ⁹ / ₁₆	159
001867	12"	27	16 ⁷ / ₈	10 ¹ / ₈	189
001874	15 x 4"	15 ¹ / ₄	15	2 ¹ / ₂	138
001881	15 x 6"	18	15 ³ / ₄	4	171
001898	15 x 8"	21	17 ¹ / ₁₆	5 ³ / ₈	207
001904	15 x 10"	24	18 ³ / ₈	6 ⁷ / ₈	213
001911	15 x 12"	27	19 ³ / ₁₆	8 ⁷ / ₁₆	242
001928*	15"	31 ¹ / ₂	20 ³ / ₄	10 ³ / ₄	333

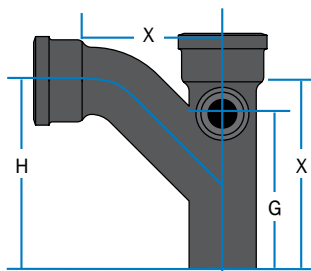
*XH only



DOUBLE WYE

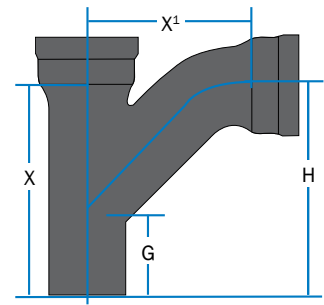
Part No.	Size	X	X1	G	Wt.
002598	2"	8	4	4	9
002604	3 x 2"	9	5	4 ³ / ₁₆	13
002611	3"	10 ¹ / ₂	5 ¹ / ₂	5	16
002628	4 x 2"	9	5 ³ / ₄	3 ⁵ / ₈	15
002635	4 x 3"	10 ¹ / ₂	6 ¹ / ₄	4 ⁷ / ₁₆	19
002642	4"	12	9 ¹ / ₄	5 ¹ / ₄	23
392026	5"	13 ¹ / ₂	8	5 ¹ / ₂	27
387855	6 x 3"	10 ¹ / ₂	7	3 ⁵ / ₈	23
002659	6 x 4"	12	8 ¹ / ₄	4 ³ / ₁₆	32
002666	6"	15	9 ¹ / ₄	5 ³ / ₄	45
002673	8 x 4"	13 ¹ / ₂	9 ¹ / ₂	4 ³ / ₄	50
002680	8 x 6"	16 ¹ / ₂	10 ¹ / ₂	6 ⁵ / ₁₆	64
002697	8"	19 ¹ / ₂	11 ¹³ / ₁₆	7 ¹ / ₁₆	90
383086	10 x 6"	19 ¹ / ₂	12 ¹ / ₂	6 ¹ / ₂	81
002703	10 x 8"	19 ¹ / ₂	13 ⁷ / ₁₆	6 ¹ / ₂	114
002710	10"	22 ¹ / ₂	14 ¹ / ₂	8	120
002727	12 x 8"	21	14 ³ / ₄	7 ¹ / ₁₆	136
002734	12"	27	16 ⁷ / ₈	10 ¹ / ₈	175
002741*	15"	31 ¹ / ₂	20 ³ / ₄	10 ³ / ₄	354

*XH only



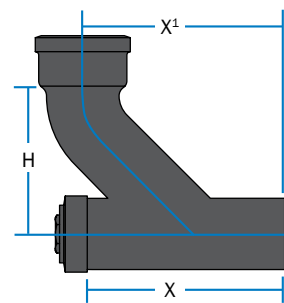
COMBINATION WYE & 1/8 BEND WITH SIDE INLET

Part No.	Size	G	H	X	X1	Wt.
002413	4" w/2" RH	10	12 ¹ / ₁₆	12	9	28
002420	4" w/2" LH	10	12 ¹ / ₁₆	12	9	29



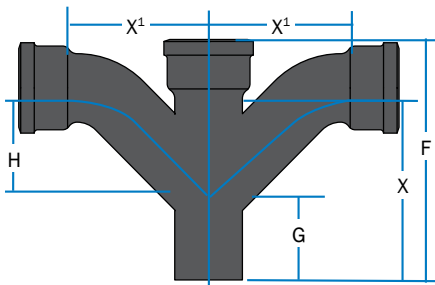
COMBINATION WYE & 1/8 BEND (long turn pattern)

Part No.	Size	G	H	X	X1	Wt.
001966	2"	4	7 ³ / ₈	8	4 ⁷ / ₈	8
001973	3 x 2"	4 ³ / ₁₆	8 ³ / ₁₆	9	5 ³ / ₄	12
001980	3"	5	10 ¹ / ₁₆	10 ¹ / ₂	7	14
001997	4 x 2"	3 ¹ / ₁₆	8 ³ / ₁₆	9	6 ¹ / ₄	12
002000	4 x 3"	4 ¹ / ₂	10 ¹ / ₁₆	10 ¹ / ₂	7 ¹ / ₂	18
002017	4"	5 ¹ / ₄	12 ¹ / ₁₆	12	9	22
002024	5 x 2"	3 ³ / ₈	8 ³ / ₈	9	6 ³ / ₄	15
383123	5 x 3"	4	10 ¹ / ₁₆	10 ¹ / ₂	8	22
002031	5 x 4"	4 ¹ / ₄	7 ³ / ₁₆	12	9 ¹ / ₂	24
002048	5"	5 ¹ / ₂	11 ¹ / ₁₆	13 ¹ / ₂	11	30
002055	6 x 2"	2 ¹ / ₁₆	8 ³ / ₁₆	9	7 ¹ / ₄	17
002062	6 x 3"	3 ¹ / ₈	9 ¹ / ₁₆	10 ¹ / ₄	8 ¹ / ₂	19
002079	6 x 4"	4 ¹ / ₄	12 ¹ / ₁₆	12	10	23
388258	6 x 5"	5 ¹ / ₁₆	14 ³ / ₁₆	13 ¹ / ₂	11 ¹ / ₂	40
002086	6"	5 ³ / ₄	16 ¹ / ₁₆	15	12 ⁷ / ₈	45
383611	8 x 2"	3 ¹ / ₈	9 ⁵ / ₈	10 ¹ / ₂	8 ¹ / ₄	34
002093	8 x 4"	4 ³ / ₄	13 ¹ / ₁₆	13 ¹ / ₂	11	44
384748	8 x 5"	5 ¹ / ₂	15 ⁵ / ₈	15	12 ¹ / ₂	50
002109	8 x 6"	6 ⁵ / ₁₆	17 ⁵ / ₈	16 ¹ / ₂	13 ³ / ₈	60
002116	8"	7 ¹ / ₁₆	21 ¹ / ₁₆	19 ¹ / ₂	17	85



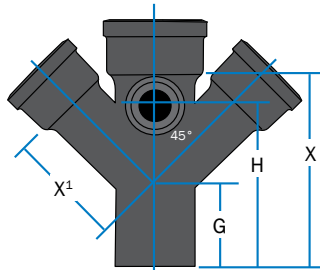
COMBINATION WYE & 1/8 BEND WITH CLEANOUT ON MAIN

Part No.	Size	IPS Tap	H	X	X1	Wt.
046028	4"	3 ¹ / ₂	9	12 ³ / ₁₆	12 ¹ / ₄	20



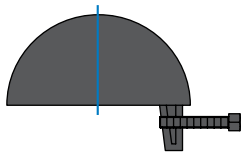
DOUBLE COMBINATION WYE & 1/2 BEND
(long turn pattern)

Part No.	Size	X	H	X ¹	F	G	Wt.
002758	2"	8	3 3/8	4 7/8	7 3/8	4	12
002765	3x2"	9	4	5 3/4	8 3/16	4 3/16	14
002772	3"	10 1/2	5 1/8	7	10 1/8	5	20
002789	4x2"	9	4 1/2	6 1/4	8 3/16	3 11/16	17
002796	4x3"	10 1/2	5 5/8	7 1/2	10 1/8	4 1/2	23
002802	4"	12	6 13/16	9	12 1/8	5 1/4	34
101925	5x4"	12	7 3/8	9 1/2	11 1/8	4 1/4	31
002819	6x4"	12	7 13/16	10	12 1/8	4 1/4	52
002826	6"	15	10 5/8	12 7/8	16 1/8	5 3/4	80



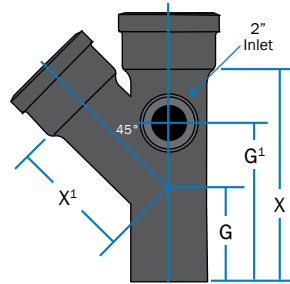
DOUBLE WYE WITH 2" SIDE OPENING
(cup hub inlet)

Part No.	Size	G	H	X	X ¹	Wt.
002932	4"	5 1/4	10	12	6 3/4	32



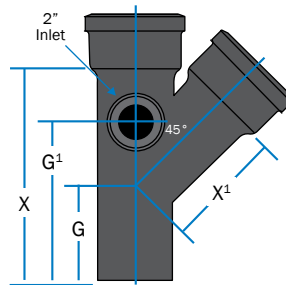
VENT CAP WITH SET SCREW

Part No.	Size	Wt.
014591	4"	3



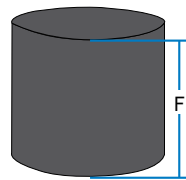
WYE WITH RIGHT HAND SIDE INLET
(cup hub inlet)

Part No.	Size	G	G ¹	X	X ¹	Wt.
002390	4" w/2"	5 1/4	10	12	6 3/4	18



WYE WITH LEFT HAND SIDE INLET
(cup hub inlet)

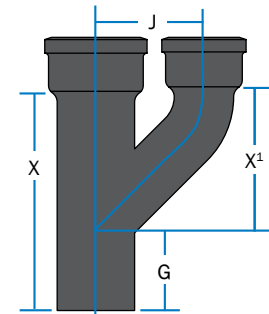
Part No.	Size	G	G ¹	X	X ¹	Wt.
002406	4" w/2"	5 1/4	10	12	6 3/4	18



PIPE PLUG

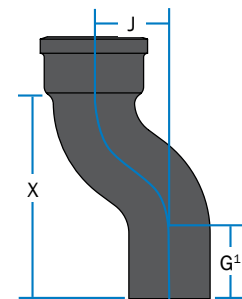
Part No.	Size	F	Wt.
004035	2"	3 1/2	1
004042	3"	3 3/4	2
004059	4"	4	4
004066	5"	4	6
004073	6"	4	6
004080	8"	4 1/2	11
004097	10"	4 1/2	17
004103	12"	5 1/4	25
004110*	15"	5 1/4	35

*XH only



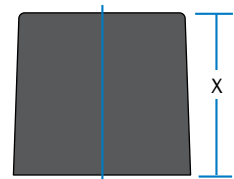
"H" BRANCH

Part No.	Size	X	X ¹	J	G	Wt.
002222	2"	10	6	4 1/2	4	8
002239	3x2"	10 11/16	6 3/4	5	4 3/16	10
002246	3"	12 7/16	7 7/16	5 1/2	5	12
002253	4 x 3"	12 3/8	7 5/8	6	4 1/2	17
002260	4"	13 15/16	8 1/16	6 1/2	5 1/4	18



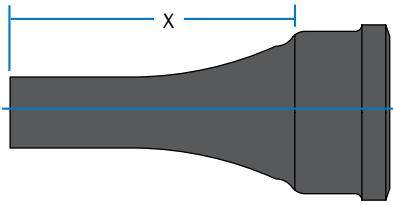
45° OFFSET

Part No.	Size	X	G ¹	J	Wt.
003540	4 x 4"	11	4	4	12
003557	4 x 6"	13	4	6	15
003564	4 x 8"	15	4	8	18



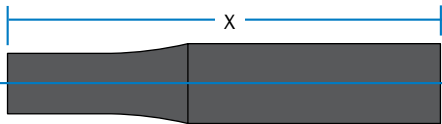
TAPPED SPIGOT

Part No.	Size	X	Wt.
111719	4 x 2"	4 1/4	5



INCREASER

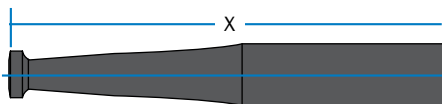
Part No.	Size	X	Wt.
045939	2 x 4"	9	10
003809	3 x 4"	9	9
003816	4 x 5"	9	12
003823	4 x 6"	9	16
003830	4 x 8"	12	25
277248	5 x 6"	9½	13
003847	6 x 8"	12	24
384724	8 x 10"	12	44
003854	10 x 12"	12	60
003861	12 x 15"	12	95



LONG PLAIN INCREASER

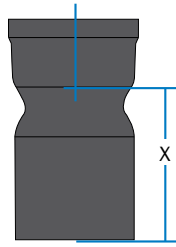
Part No.	Size	X	Wt.
003885	3 x 4"	24	14
003892	4 x 5"	30	24
003908*	4 x 6"	30	24

*not suitable for Ty-seal



LONG TAPPED INCREASER

Part No.	Size	X	Wt.
003939	2 x 4"	24	15



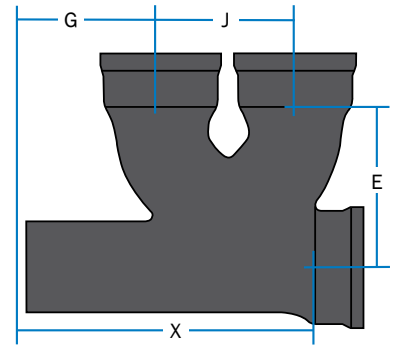
REDUCER

Part No.	Size	X	Wt.
003588	3 x 2"	4¾	5
003595	4 x 2"	5	6
003601	4 x 3"	5	7
383598	5 x 2"	5	6
383604	5 x 3"	5	7
003618	5 x 4"	5	8
003625	6 x 2"	5	9
003632	6 x 3"	5	9
003649	6 x 4"	5	11
003656	6 x 5"	5	9
003663	8 x 4"	6	13
003670	8 x 5"	6	14
003687	8 x 6"	6	17
003694	10 x 4"	6	20
383369	10 x 5"	6	21
003700	10 x 6"	6	24
003717	10 x 8"	6	27
003724	12 x 4"	6½	32
003731	12 x 6"	6½	34
003748	12 x 8"	6½	37
003755	12 x 10"	6½	38
003762	15 x 6"	6½	52
003779	15 x 8"	6½	54
003786	15 x 10"	6½	56
003793	15 x 12"	6½	65



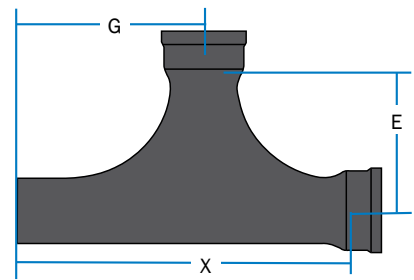
BAR GRATE WITH LEGS (series 547)

Part No.	Size	G	X	Wt.
127232	4"	3	4¾	2



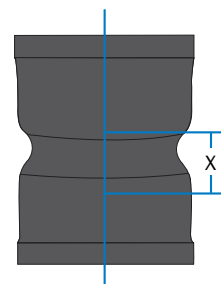
TWO-WAY DOUBLE CLEANOUT

Part No.	Size	X	E	G	J	Wt.
003519	4"	13¾	7½	6½	6⅞	29
003533	6x4"	13¾	8½	6½	6⅞	35



TWO-WAY CLEANOUT (Memphis code)

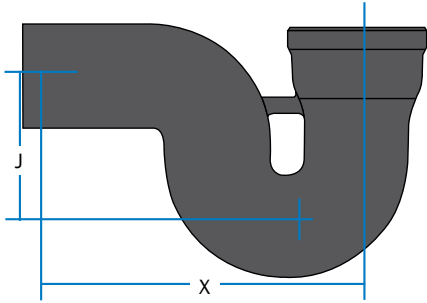
Part No.	Size	X	E	G	Wt.
003465	4"	22⅞	9⅞	12¾	35



DOUBLE HUB FITTING

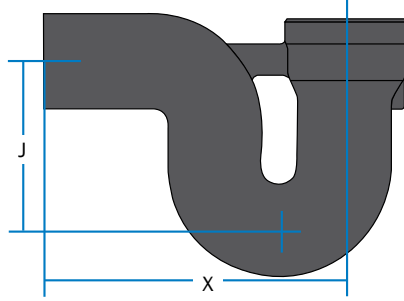
Part No.	Size	X	Wt.
003960	2"	1	4
003977	3"	1	6
003984	4"	1	8
003991	6"	1	11
384755	8"	1½	23
004004	10"	1½	37
384762	12"	1½	47
004011*	15"	1½	87

*XH only



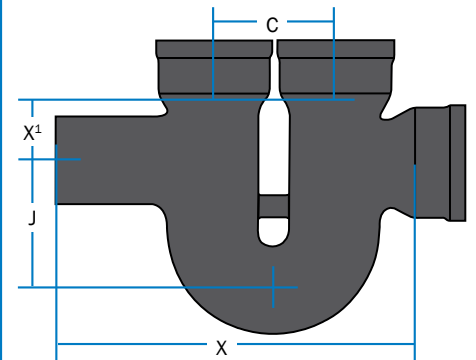
"P" TRAP

Part No.	Size	X	J	Wt.
004486	2"	9½	4	6
004493	3"	12	5½	12
004509	4"	14	6½	18
004516	5"	15½	7½	23
004523	6"	17	8½	33
004530	8"	22⅙	11½	87
004547	10"	25	14¾	113



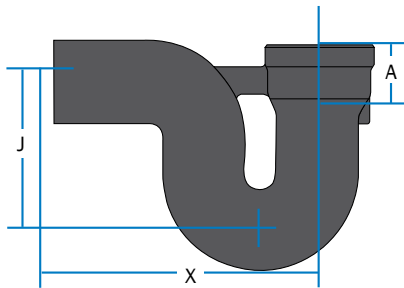
DEEP SEAL "P" TRAP

Part No.	Size	X	J	Wt.
004844	2"	9½	6	9
004851	3"	12	7	18
004868	4"	14	8	29
382614	6"	17	9½	41



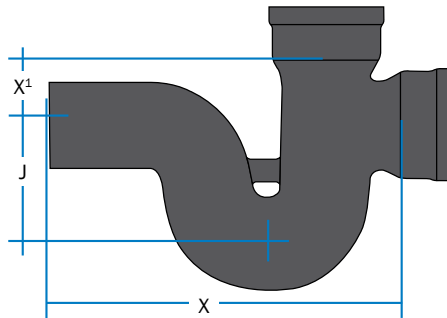
**RUNNING TRAP
W/DOUBLE HUB VENT**

Part No.	Size (Vent)	X	X¹	C	J	Wt.
004707	3" (3-3)	15	2½	5	5½	23
004714	4" (4-4)	17½	3	6	6½	37
004738	5" (4-4)	19½	3½	7	7½	47
004721	5x4" (4-4)	19½	3½	7	7½	43
004745	6" (4-4)	21½	4	8	8½	54
004752	6" (6-6)	21½	4	8	8½	62
053880	8" (4-4)	21½	4	8	8½	99
004769	8" (6-6)	27⅞	5¼	10	11	100
004776	10" (8-8)	31⅞	6¼	12	13	187
004783	12" (10-10)	38¾	7¼	15	15	288
004790	15" (12-12)	45¾	8¾	18½	18½	460



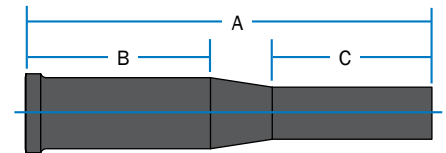
"P" TRAP W/ ½" HEEL TAP

Part No.	Size	X	J	A	Wt.
004813	2"	9½	4	3	8
004820	3"	12	5½	3½	13
004837	4"	14	6½	3½	18



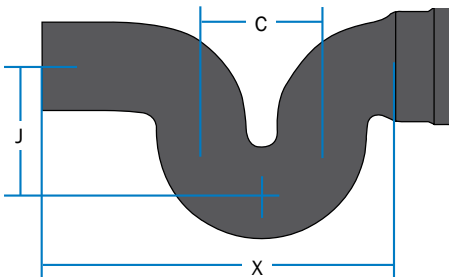
**RUNNING TRAP
W/SINGLE HUB VENT**

Part No.	Size (Vent)	X	X¹	J	Wt.
004615	3" (3)	15	2½	5½	16
004622	4" (4)	17½	3	6½	28
004639	5" (4)	19½	3½	7½	40
004646	6" (4)	21½	4	8½	46
004660	8" (6)	27⅞	5¾	11	110



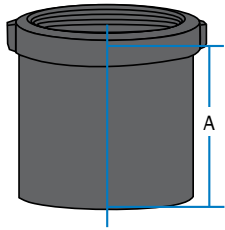
SISSION INSERTABLE JOINT

Part No.	Size	A	B	C	Wt.
428336	2"	14	6	6	7
124415	3"	16	8	6¾	12
124422	4"	14½	7	6	13
384731	5"	15⅞	9	5⅞	17
383178	6"	16⅜	8½	6	21
102717	8"	18	10	6¾	37



RUNNING TRAP

Part No.	Size	X	C	J	Wt.
004578	4"	17½	6	6½	19
004585	6"	21½	8	8½	65



2-11 STANDARD FERRULE (less plug)

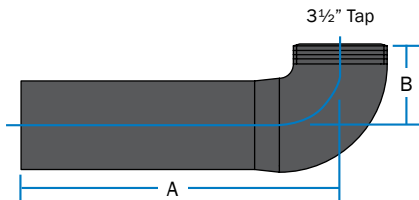
Part No.	Pipe Size	Tap Size	A	Wt.
023210	2"	1½	3¼	1
023234	3"	2½	3¾	2
023258	4"	3	3¾	3
023272	4"	3½	4¼	3
023296	5"	4	4¼	4
023319	6"	5	4¼	5
023333	8"	6	4½	11
023357	10"	6	4½	18
023388	12"	6	5¼	24
023364*	15"	6	5¼	45

*XH only

2-11 STANDARD FERRULE W/TYPE A PLUG

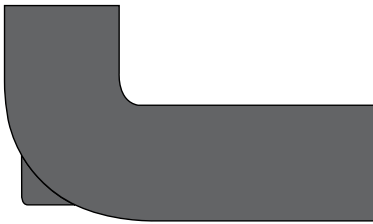
Part No.	Pipe Size	Tap Size	A	Wt.
023395	2"	1½	3½	1
023425	3"	2½	3¾	3
023456	4"	3	3¾	4
023487	4"	3½	4¼	4
023517	5"	4	4¼	5
023548	6"	5	4¼	6
023586	8"	6	4½	13
023609	10"	6	4½	20
023630	12"	6	5¼	26
023616*	15"	6	5¼	47

*XH only



TAPPED CLOSET BEND WITH SOUTHERN CODE BRASS PLUG

Part No.	Size	A	B	Wt.
005803	3½ x 4"	24	6¾	18

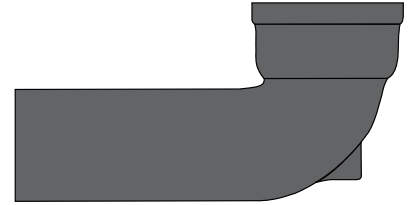


CLOSET BENDS

Part No.	Size	Wt.
02896	4 x 4 x 14"	11
02894	4 x 4 x 16"	15
02898	4 x 4 x 18"	13
02904	4 x 6 x 12"	12
02908	4 x 6 x 15"	15
02914	4 x 6 x 16"	13
02912	4 x 6 x 18"	16
02924	4 x 10 x 12"	16
02932	4 x 10 x 15"	17
02934	4 x 10 x 16"	16
02936	4 x 10 x 18"	19
02938	4 x 12 x 12"	14
02940	4 x 12 x 14"	18
02944	4 x 12 x 16"	16
02946	4 x 12 x 18"	21
02950	4 x 16 x 16"	22
02954	4 x 18 x 18"	25

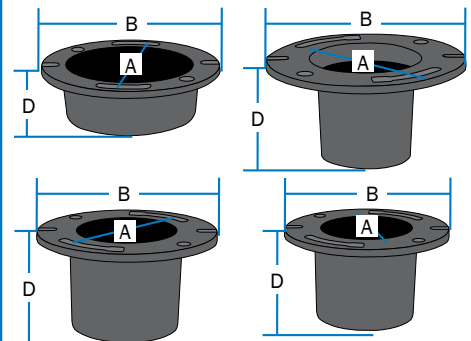
CLOSET BENDS (REDUCING)

Part No.	Size	Wt.
02832	4 x 3 x 6 x 12"	10
02840	4 x 3 x 6 x 15"	10
02844	4 x 3 x 6 x 18"	13
02852	4 x 3 x 10 x 12"	12
02860	4 x 3 x 10 x 15"	16
02864	4 x 3 x 10 x 18"	16
02866	4 x 3 x 12 x 12"	16
02870	4 x 3 x 16 x 16"	18
02872	4 x 3 x 18 x 18"	25



CLOSET BENDS REGULAR HUB

Part No.	Size	Length	Wt.
026136	4"	12	14
026146	4"	14	16
026156	4"	16	16
026167	4"	18	19



2-252 CLOSET FLANGE (caulk joint application)

Part No.	Size x Height	A	B	D	Wt.
022848	4x1"	6¼	7¼	1	2
022855	4x1½"	6¼	7¼	1½	2
8003	4x2"	6¼	7¼	2	2
8013*	4x2"	6¾	7¼	2	2.8
022879	4x2½"	6¼	7¼	2½	3
022886	4x3"	6¼	7¼	3	4
8005	4x4"	6¼	7¼	4	5
022930*	4x4"	6¾	7¼	4	5
022909	4x5"	6¼	7¼	5	6
8017	4x6"	6¼	7¼	6	6
8015	4x2", 1" Offset	6	7	2	2.5
8018	4x4", 2" Offset	6¼	7¼	4	4.5
022947	4x3", 3" Reducing	6¼	7¼	3	3
8007	4x2"	6¼	7¼	2	3
8011	4x4 x 4"	6¼	7¼	4	4
8019	4x3 x 2½"	6¼	7¼	2½	3

*Portland Code, two ¼" taps on top

NOTE: Adhesive lubricants are required for TY-SEAL and EZ-TITE gaskets in sizes 5 inch and larger diameters.



TY-SEAL

Part No.	Size	Wt. Ea. Carton		Pallet	
		Lbs.	Quantity	Wt.	Quantity
004875	2"	0.3	60	18	2880
004882	3"	0.4	40	16	1600
004899	4"	0.6	40	24	1280
004905	5"	1.2	30	35	600
004912	6"	1.4	30	40	600
004929	8"	1.6	20	30	320
004936	10"	2.0	10	18	270
004943	12"	2.5	10	22	270
014959	15"	3.8	10	38	120



EZ-TITE

Part No.	Size	Wt. Ea. Carton		Pallet	
		Lbs.	Quantity	Wt.	Quantity
004950	2"	0.3	60	18	2880
004967	3"	0.4	40	16	1600
004974	4"	0.6	40	24	1280
004981	5"	1.2	30	35	600
004998	6"	1.4	30	40	600

TY-SEAL LUBRICANT

Part No.	Size	Wt.
005117	Quart	2.5
005124	Gallon	9

- An excellent water-soluble joint compound. TY-SEAL LUBRICANT has demonstrated its efficiency in millions of joints.
- Quick and easy to use under all conditions... Even under water!
- Available in quarts, gallons and 25 pound pails.

LUBRI/FAST® LUBRICANT

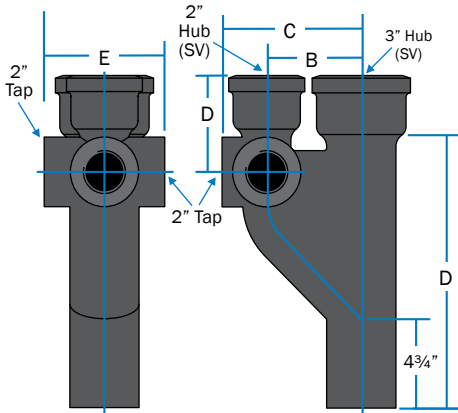
Part No.	Size	Wt.
005148	Quart	2.5

LUBRI/FAST

- The unique LUBRI/FAST® formula makes joining TY-SEAL gaskets easier and faster because it's so slick! Applied as a liquid, LUBRI/FAST® actually reduces joining forces required; then it literally "fastens" the joint.
- LUBRI/FAST® is applied with an ordinary paint brush. It may be used for joining all pipe and fittings, and is required for joining all larger diameters 5" through 15".

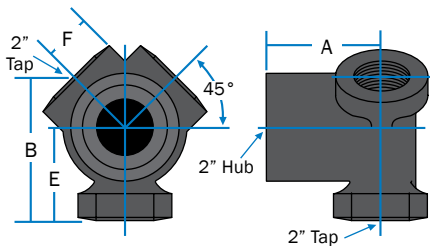
TY-TOOLS

Part No.	Description	Joins Pipe Size	Approx. Wt.
005223	4" w/ 4 x 2 & 4 x 3 adapter	2", 3", 4"	21
005438	6" w/ 6 x 4 adapter	4", 6"	29
005580	8" w/ 8 x 6 adapter	6", 8"	40



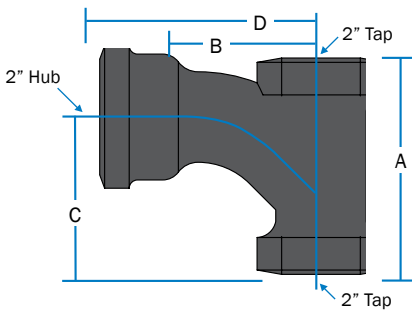
DOUBLE SINK STACK-770C

Part No.	Size	A	B	C	D	E	Wt.
005827	3x2"	15½	4½	6⅝	4½	5¾	18
005834	4x2"	15½	5¾	7⅞	4½	—	22



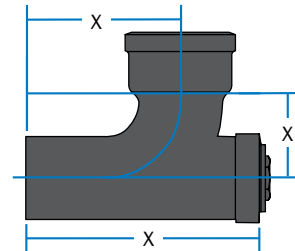
TAPPED BATH VENT WYE

Part No.	Size	A	B	C	D	Wt.
005766	2"	4⅞	5¼	3¾	2½	9



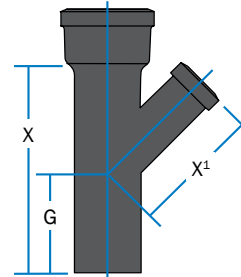
TAPPED LONG SWEEP TEE

Part No.	Size	A	B	C	D	Wt.
005773	2 x 2"	5½	3⅞	4	5⅝	7



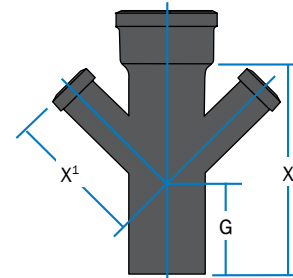
SANITARY TEE WITH CLEANOUT ON MAIN

Part No.	Size	IPS Tap	G	X	X1	Wt.
112822	4"	3½	8	12⅞	4½	17



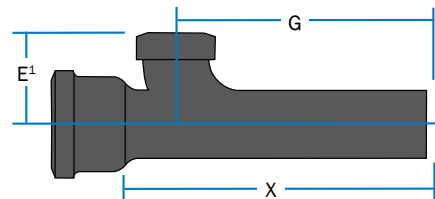
TAPPED WYE

Part No.	Size	G	X	X¹	Wt.
003236	3 x 2"	4	9	6⅝	11
003243	4 x 1½"	5¼	9	7⅞	11
003250	4 x 2"	5¼	9	6⅞	13



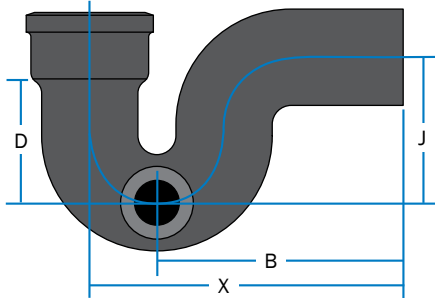
TAPPED DOUBLE WYE

Part No.	Size	G	X	X¹	Wt.
003441	4 x 2"	5¼	9	7⅞	16



LONG SANITARY TAPPED TEE

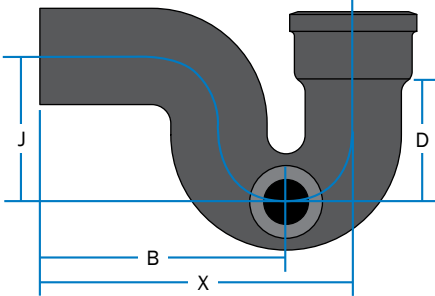
Part No.	Size	G	X	X¹	Wt.
380016	2 x 2 x 18"	16	18	3⅞	9



**"P" TRAP WITH CLEANOUT
RIGHT SIDE**

Part No.	Size	X	J	B	D	Wt.
384779	4"	14	6½	20	11	20

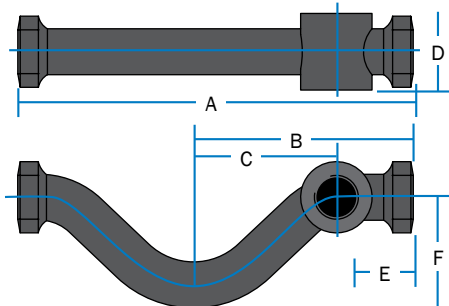
NOTE: 3½" IPS tap.



**"P" TRAP WITH CLEANOUT
LEFT SIDE**

Part No.	Size	X	J	B	D	Wt.
384786	4"	14	6½	11	5½	20

NOTE: 3½" IPS tap.



VENT BYPASS WITH 2 TAPPED SIDES

Part No.	Size	A	B	C	D	E	F	Wt.
005780	2 x 2"	18	10	6½	3¾	3	5¼	12

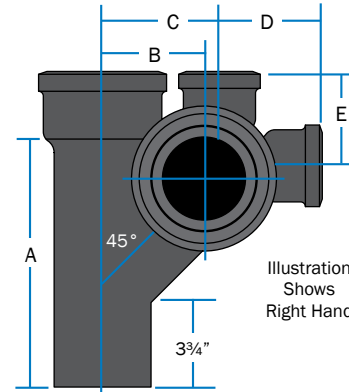
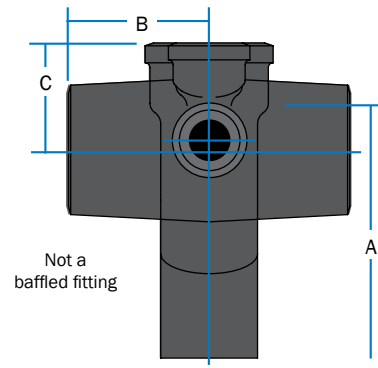


Illustration Shows Right Hand

SV-458 VENTED CLOSET TEE WITH 2" TOP VENT AND 2" EXTENDED SIDE INLET, RIGHT HAND OR LEFT HAND

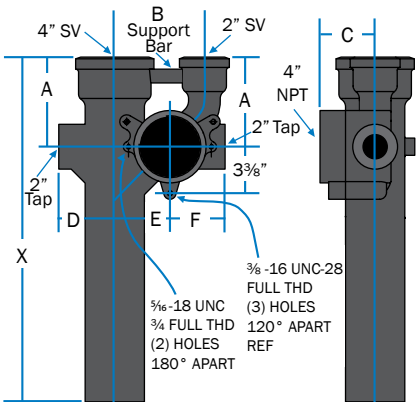
Part No.	Size	A	B	C	D	E	Wt.
005575	4x4x2x2x4"RH	11	4½	5¾	4¾	4¾	37
005582	4x4x2x2x4"LH	11	4½	5¾	4¾	4¾	38



Not a baffled fitting

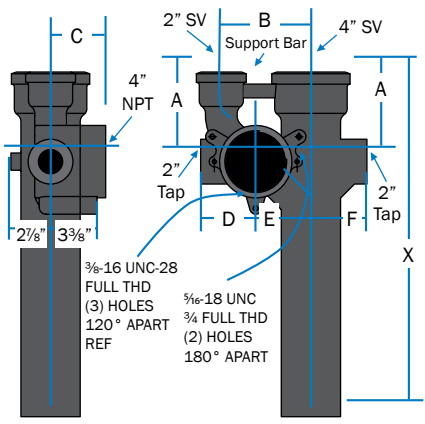
SV-459D VENTED CLOSET CROSS W/ 2" TOP VENT AND 2" EXTENDED SIDE INLET

Part No.	Size	A	B	C	Wt.
005599	4x4x2x2x4"	11	6¼	4¾	47



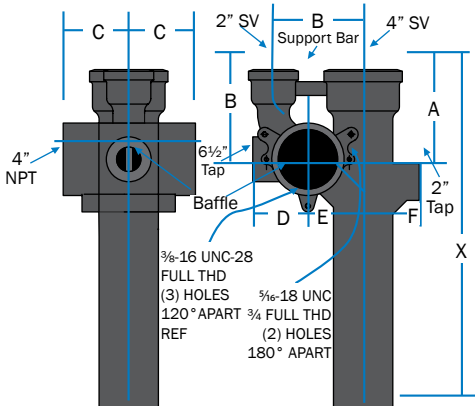
SV 973R RIGHT HAND STARTER FITTING WITH 4" TAP AND 2" TAPPED "A" SIDE INLET

Part No.	Size	Inlet	A	B	C	D	E	F	X	Wt.
107163	4"	6 1/2	6 1/2	6 1/2	4	4 1/16	4	4	25	35
107170	4"	9 1/2	9 1/2	6 1/2	4	4 1/16	4	4	25	35



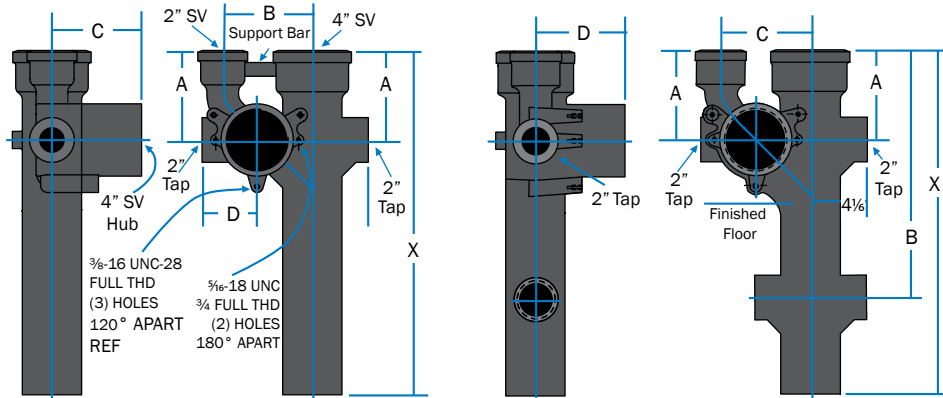
SV 973L LEFT HAND STARTER FITTING WITH 4" TAP AND 2" TAPPED "A" SIDE INLET

Part No.	Size	Inlet	A	B	C	D	E	F	X	Wt.
107194	4"	6 1/2	6 1/2	6 1/2	4	4	4	4	25	39
107217	4"	9 1/2	9 1/2	6 1/2	4	4	4	4	25	39



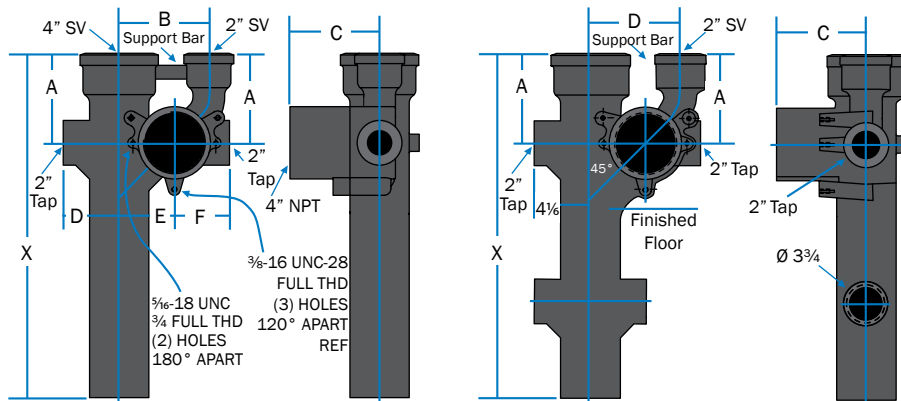
SV 975 DOUBLE STARTER FITTING WITH 4" TAP AND 2" TAPPED "A" SIDE INLET

Part No.	Size	A	B	C	D	E	F	X	Wt.
107255	4"	9 1/2	6 1/2	4	4	4	4 1/16	25	43



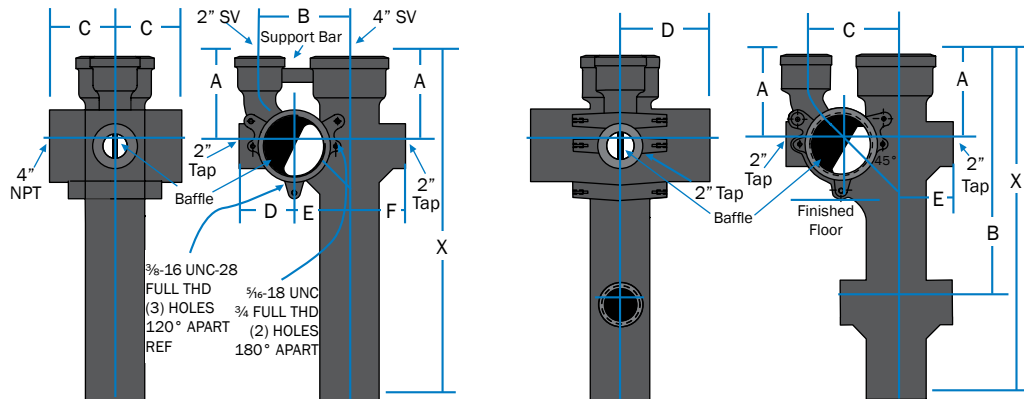
SV 974L LEFT HAND STARTER FITTING WITH 4" HUB

Part No.	Size	A	B	C	D	X	Wt.
107248	4" with A inlets	6½	0	6½	4	25	39
011093	4" with A & B inlets	6½	18	6½	4	25	44



SV 974R RIGHT HAND STARTER FITTING WITH 4" HUB

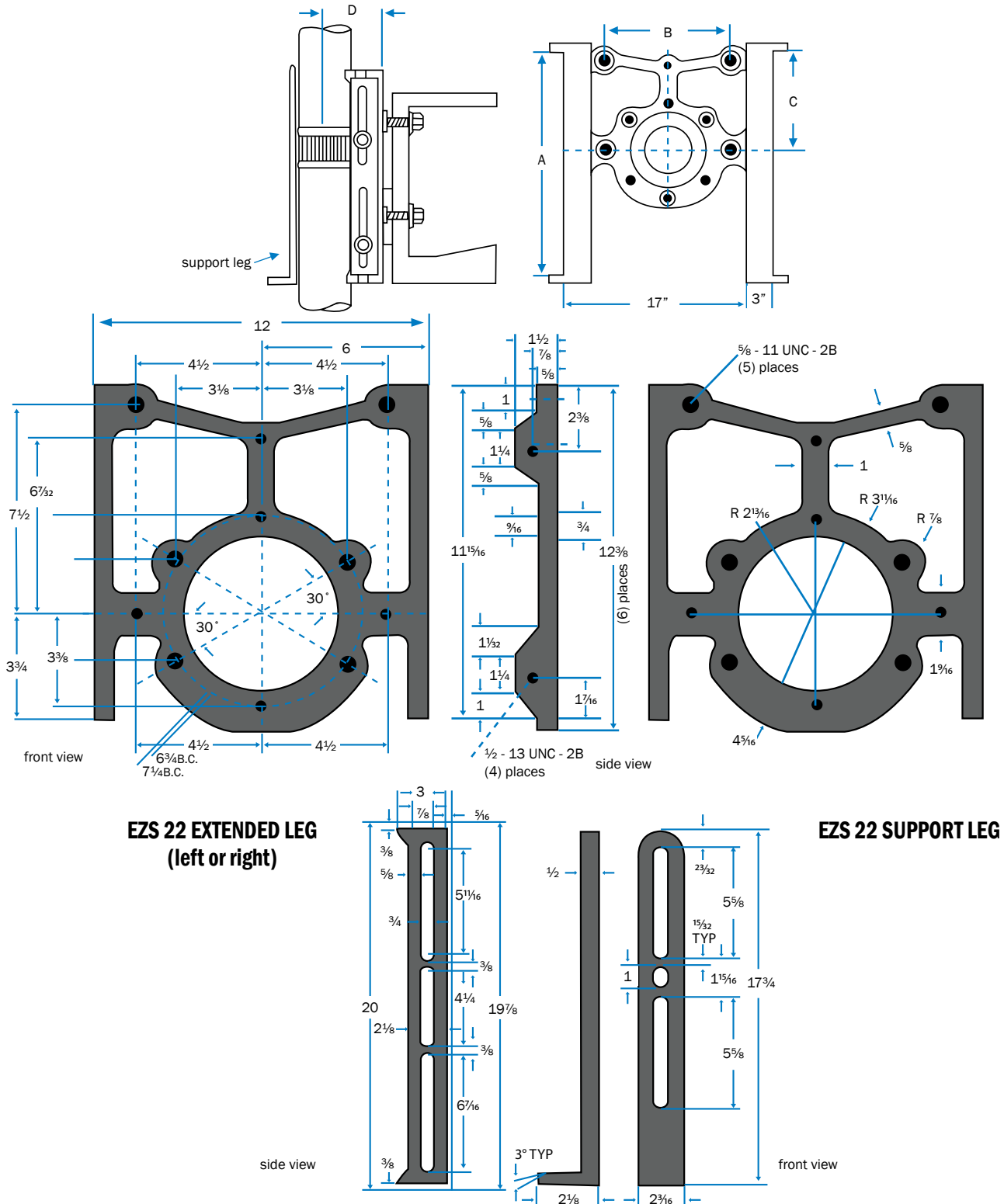
Part No.	Size	A	B	C	D	E	X	Wt.
107231	4" with A inlets	6½	0	6½	4⅙	4	25	39
011094	4" with A & B inlets	6½	18	6½	4⅙	4	25	46



SV 976 DOUBLE STARTER FITTING WITH 4" HUB AND 2" TAPPED "A" SIDE INLET

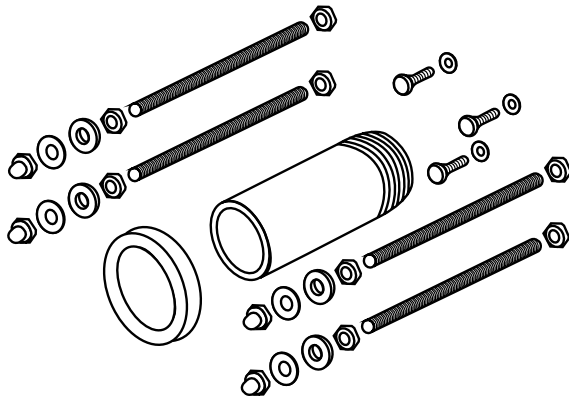
Part No.	Size	A	B	C	D	E	X	Wt.
107262	4" with A inlets	6½	0	6½	4	4	25	51
011095	4" with A & B inlets	6½	18	6½	4	4	25	59

TRIM PACKAGE FOR STARTER FITTINGS





TRIM PACKAGE FOR STARTER FITTINGS



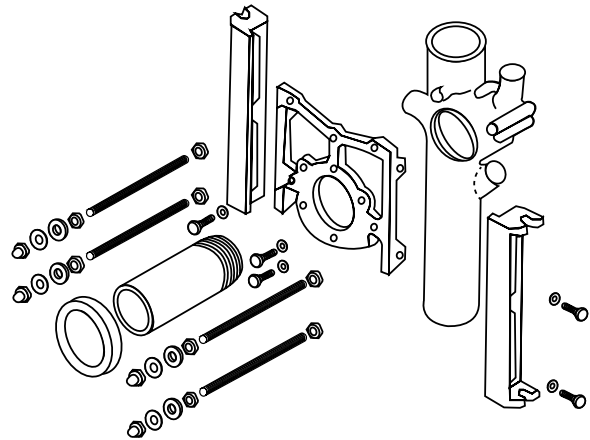
EZS 24

TRIM PACKAGE, WALL-HUNG BACK-OUTLET ASSEMBLY (to be used with PART NO. EZS 22 support frame assembly)

- 1 – 4" PVC Sch. 80 NIPPLE with TEST CAP
- 1 – BOWL GASKET
- 4 – 5/8" X 12" RODS
- 4 – 5/8" CHROME CAP NUTS
- 8 – 5/8" JAM NUTS
- 4 – 5/8" FLAT WASHERS
- 4 – 5/8" FIBER WASHERS
- 3 – 3/8" X 1 1/2" BOLTS FOR FACEPLATE
- 3 – 3/8" FLAT WASHERS
- 4 – 5/8" STAR WASHERS

EZS 22 AND EZS 24 INSTALLATION INSTRUCTIONS

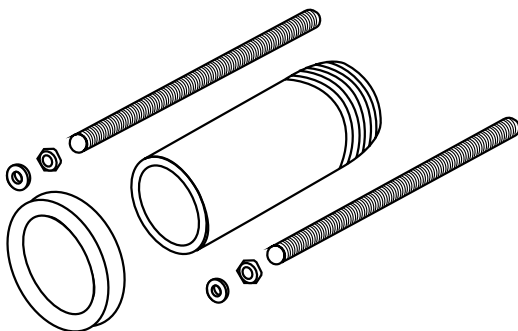
1. IDENTIFY THE MAJOR COMPONENTS OF THE EZS 24 TRIM PACKAGE AND EZS 22 SUPPORT FRAME.
2. SECURE EZS 22 SUPPORT FRAME TO INSTALLED STARTER FITTING USING 3/8" X 1 1/2" BOLTS AND 3/8" FLAT WASHERS.
3. SECURE RIGHT AND LEFT LEGS TO THE EZS 22 FACEPLATE USING 1/2" X 1 1/4" BOLTS AND 1/2" FLAT WASHERS IN POSITION SHOWN TO THE RIGHT.
4. ADJUST ASSEMBLY TO THE DESIRED HEIGHT. LEVEL AND ALIGN THE ASSEMBLY.
5. SECURE THE FEET OF THE EZS 22 SUPPORT FRAME TO THE FLOOR USING THE 1/2" X 1 1/4" BOLTS SUPPLIED.
6. SECURE SUPPORT LEG. FOR DOUBLE STARTER FITTINGS, THE SUPPORT LEG IS NOT REQUIRED.
7. SECURE 5/8" X 12" EZS 24 THREAD RODS TO FACEPLATE ACCORDING TO EZS 22 FACEPLATE.
8. INSTALL EZS 24 THREADED NIPPLE TO THE EZS 700 OR EZS 800 FITTING.



EZS 23

TRIM PACKAGE, FLOOR-MOUNTED BACK-OUTLET ASSEMBLY (note: not to be used with PART NO. EZS 22 support frame assembly)

- 1 – 4" PVC Sch. 80 NIPPLE with TEST CAP
- 1 – BOWL GASKET
- 2 – 5/8" X 12" RODS
- 2 – 5/8" HEX NUTS
- 2 – 5/8" FLAT WASHERS
- 2 – 5/8" CAP NUTS



SV Hub & Spigot Installation Instructions

Materials Needed

Proper, approved equipment and attire:

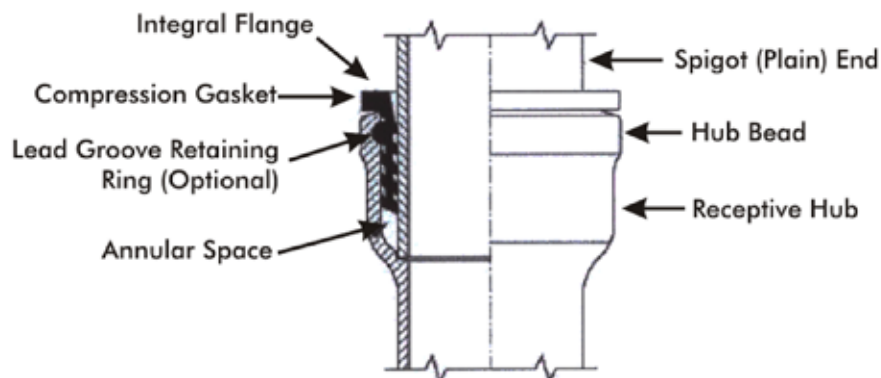
- AB&I cast iron soil pipe and fittings
- TY-Seal® or EZ-Tight® Gaskets
- TY-Seal® Lube or Lubri/Fast® Adhesive Lubricant
 - TY-Seal Lube® for sizes 2 inches through 4 inches
 - Lubri/Fast® Adhesive Lube for sizes 5 inches through 15 inches
 - Brush for lubricant application

Note: Lubri/Fast® Adhesive Lubricant may be used on all sizes of pipe and fittings
Lubri/Fast® is required when using 5 inches through 15 inches pipe and fittings

Installation

1. Clean the hub and pipe or fitting end to be joined. They should be free of dirt, mud, gravel, or other foreign material.
2. Insert the gasket into the hub. When joining 5 inches or larger pipe and fittings, apply Lubri/Fast® Adhesive Lubricant to the inside surface of the hub before inserting the gasket.
3. Lubricant the inside surfaces of the gasket and the outside of the spigot end to be joined using a brush. (Use TY-Seal® Lube for sizes 2 inches through 4 inches. Use Lubri/Fast® Adhesive Lubricant for sizes 5 inches through 15 inches).
4. Align the pipe and/or fittings to be joined. Push or pull the pipe or fitting spigot into the hub. You will feel the pipe or fitting “bottom out” at the hub. The assembly tool of your choice may be used.

Note: If joining a cut piece of pipe, the sharp edges of the pipe must be “peened” with a hammer or filed to remove the sharp edge. Failure to remove the sharp edge on cut pipe will make assembly difficult.



Note: All gaskets specified meet or exceed the requirements of ASTM C564 and ASTM C1553



Caulking Instructions

Caulking Procedure

1. Insert the spigot end of pipe or fitting into the hub of pipe or fitting to be joined after wiping the hub and spigot with a clean cloth to assure the hub and spigot are clean and dry.
2. Yarn the oakum into the joint using a yarning iron. Some oakum comes in twisted lengths and may need to be separated into individual strands before yarning. Yarn and pack the oakum tightly using a packing iron to a depth of one inch below the top of the joint. Tightly packed oakum is essential for a leak free joint.

Note: After packing, make sure that no oakum fibers are sticking up into the area the lead will occupy. Fibers in the lead area can cause leaks.

3. After heating lead pot to a cherry red color, clean dross off the top of the lead and fill your ladle with clean, molten lead. Quickly pour the lead into the joint with one continuous pour, filling the joint completely.
4. After the lead has solidified, the joint must be caulked to “set” the lead. Using your outside caulking iron, place the iron against the inner edge of the hub and caulk the lead completely around the circumference of the joint. After caulking with the outside iron, you are ready to caulk using the inside iron. The inside iron should be placed against the pipe. Caulk the lead completely around its circumference.

Note: Care should be taken to not crack the hub by caulking too heavily. Proper safety equipment and attire are required. AB&I Foundry does not recommend the use of lead as it has been found to be hazardous to your health and the environment.

THE FOUNDRY OF THE FUTURE SINCE 1906

From humble beginnings over a century ago, AB&I has grown into a leading producer of cast iron pipe, fittings, and custom castings.

Founded in 1906 by Joseph Boscacci in his backyard, the foundry had its start producing decorative street lamps and brass statues to replace those destroyed in San Francisco's Great Earthquake and Fire. As the foundry grew, it began producing sash weights and other cast iron and brass products.

With World War II approaching, it moved to its current location and modernized into a high-production foundry. Managed by the founder's sons, the Boscacci Brothers began producing 9-ton submarine nets which spanned major ports on the West Coast, including San Francisco Bay.

The post-war boom was led by unprecedented growth in construction, so foundry President Arnold Boscacci decided to begin making soil pipe and fittings on a large scale. To foster standards and higher quality, AB&I helped launch the Cast Iron Soil Pipe Institute (CISPI) and pioneered the production of no-hub pipe and fittings.

Today, AB&I is a thoroughly modern, technology-driven foundry committed to environmentally responsible manufacturing and team member safety. The same focus on the Golden Rule, personal relationships and customer service that built AB&I over the past century remains at the center of the company's culture, ensuring that AB&I will continue to be recognized as The Foundry of the Future.



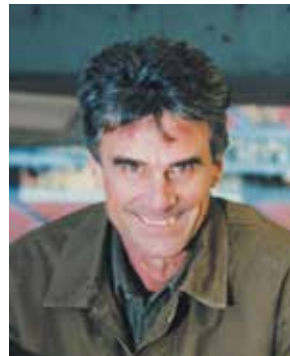
Integrity – That's the *AB&I* Way.



Joseph Boscacci



Arnold Boscacci



Allan Boscacci



Kurt Winter



Cast Iron: A Truly Green Pipe System

By using ~100% post-consumer, recycled scrap iron as the raw material, AB&I pipe & fittings make a major positive contribution to the local environment, relieving the load on landfills and reducing the demand for energy by eliminating the need to mine and refine iron ore.

Additionally, the majority of the iron used in the production of AB&I products originates within 500 miles of production plant, further minimizing AB&I’s environmental footprint.

Four Distribution Centers Nationwide

We understand that product availability and fast delivery are critically important to distributors and contractors alike. That’s why AB&I has established a nationwide network of distribution centers that put the full range of AB&I products in close proximity.



We certify that the cast iron soil pipe and fittings bearing our “AB&I” and “CI” markings are American manufactured and conform to the following specifications and reference standards:

- ASTM A-888
- IAPMO File No. 3270
- CISPI 301
- Certified by NSF to CISPI 301 & ASTM A74
- ASTM C-564
- DOD-4270
- ANSI A112.5.1
- CISPI H-74
- Federal Specification WWP 401F
- ASTM A-74, SV Hub & Spigot Reference Standard

rev 08/17



AB&I Foundry
7825 San Leandro Street
Oakland, CA 94621
800/GOT-IRON (468-4766)
Fax: 510/632-8035

LA Service Center
15006 Nelson Avenue
City of Industry, CA 91744
800/356-IRON (356-4766)
Fax: 626/333-8681

ABIFoundry.com