

MAAX SUBMITTAL SPECIFICATIONS

Rectangular Base 6036 - Corner installation (R OR L Drain), 3 in. threshold

MODEL NUMBER 105594

DIMENSIONS: 60" x 36" x 3" Acrylic



Project :

Contractor :

MAAX Representative : Tel :

Date :

Vivez l'expérience

MAAX®

Enjoy the experience

STANDARD FEATURES

- Available in low 3 inch height; textured bottom
- Deflecting strip preventing water penetration behind the shower
- Alcove installation

OPTIONS

- None

UNIQUE FEATURES

- None

SYSTEMS

- None

DOOR SELECTION

Combine with MAAX's complete shower door offering visit www.maax.com

CERTIFICATIONS

Maax products adhere to one or more of the following certifications:



www.maax.com

2017-11-09

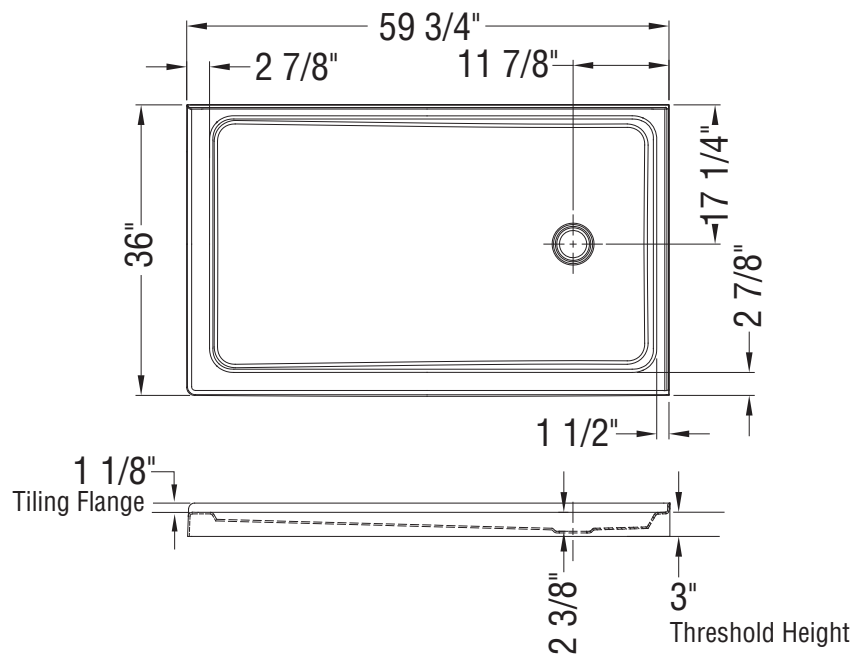
MAAX SUBMITTAL SPECIFICATIONS

Vivez l'expérience
MAAX[®]
Enjoy the experience

Rectangular Base 6036 - Corner installation (R OR L Drain), 3 in. threshold

MODEL NUMBER 105594

TECHNICAL DRAWINGS



All dimensions are approximate. Structure measurements must be verified against the unit to ensure proper fit.

2017-11-09