

MAAX SUBMITTAL SPECIFICATIONS

Rectangular Base 6036 - Alcove installation (Right OR Left Drain), LOW Threshold (3" Height)

MODEL NUMBER 105666

DIMENSIONS: 60" x 36" x 5 or 3" Acrylic

IES IES



Project :

Contractor :

MAAX Representative : Tel :

Date :

Vivez l'expérience
MAAX[®]
Enjoy the experience

STANDARD FEATURES

- Available in low 3 in. height; textured bottom
- Walls with convenient foot rest, designed to be easier to clean
- Easy front installation of the walls with snap clips
- Deflecting strip preventing water penetration behind the shower
- Alcove or corner installation

OPTIONS

- None

UNIQUE FEATURES

- None

SYSTEMS

- IES MAAX IES 1/2 (factory installed)
- IES MAAX IES 1/2 (factory installed)

DOOR SELECTION

Combine with MAAX's complete shower door offering visit www.maax.com

CERTIFICATIONS

Maax products adhere to one or more of the following certifications:



www.maax.com

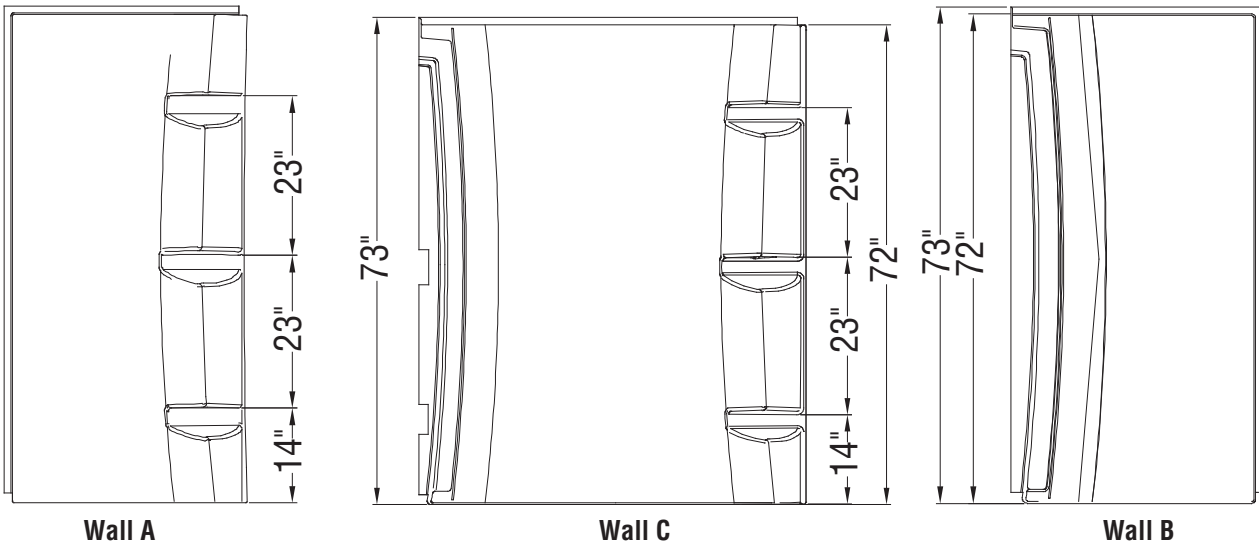
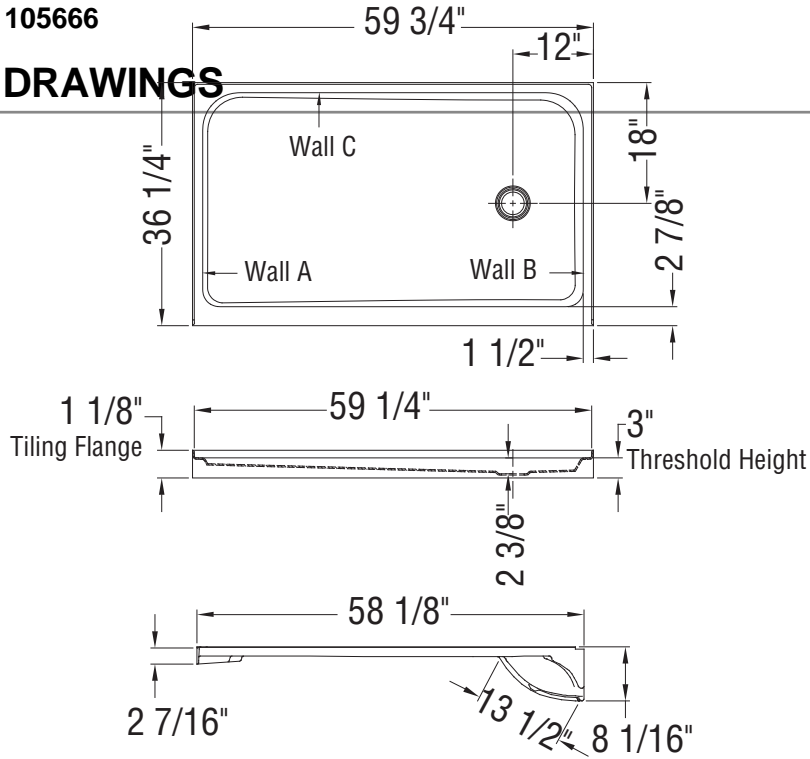
2017-11-09

MAAX SUBMITTAL SPECIFICATIONS

**Rectangular Base 6036 -
 Alcove installation (Right
 OR Left Drain), LOW
 Threshold (3" Height)**

MODEL NUMBER 105666

TECHNICAL DRAWINGS



All dimensions are approximate. Structure measurements must be verified against the unit to ensure proper fit.