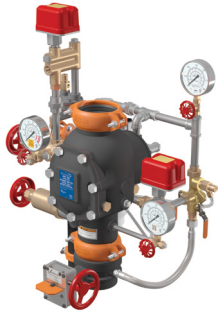


Victaulic® FireLock NXT™ Preaction Trim

Series 769N



Patented

1.0 PRODUCT DESCRIPTION

Available Sizes

- 1 ½ – 8" /40 – 200 mm

Pressure Class

- Up to 300 psi/2068 kPa/21 Bar

Minimum Air Pressure

- 13 psi/90 kPa/.90 Bar

Actuation Options

- Series 776 Low Pressure Actuator
- Series 767 Electric/Pneumatic Actuator
- Series 798 Double-Pneumatic Actuator
- Electric Release
 - 24V DC Normally closed solenoid

Release Mechanism

- Non-Interlocked
- Single Interlocked
- Double Interlocked

Valve Configurations

- Bare
- Pre-trimmed
- Vic-Quick Riser: Pre-trimmed and includes:
 - Shut Off Valve (1 ½"/40 mm: Series 728 Ball Valve, 2" – 8"/50 – 200 mm: Series 705 FireLock Butterfly Valve)
 - Pre-set alarm pressure switch
 - Pre-set high or low air pressure switch (Dry Pilot Only)
 - Drain Connection kit
- Fire-Pac Series 745 (refer to Victaulic [publication 30.23](#))

ALWAYS REFER TO ANY NOTIFICATIONS AT THE END OF THIS DOCUMENT REGARDING PRODUCT INSTALLATION, MAINTENANCE OR SUPPORT.

System No.		Location	
Submitted By		Date	

Spec Section		Paragraph	
Approved		Date	

1.0 PRODUCT DESCRIPTION (Continued)

Pipe Preparation

- Victaulic Original Groove System

Application/Media

- For use on fire protection systems only.

2.0 CERTIFICATION/LISTINGS



104-1a/02

3.0 SPECIFICATIONS - MATERIAL

Body: Ductile iron conforming to ASTM A536, grade 65-45-12.

Clapper: Aluminum bronze UNS-C95500

Latch: Aluminum bronze UNS-C95500

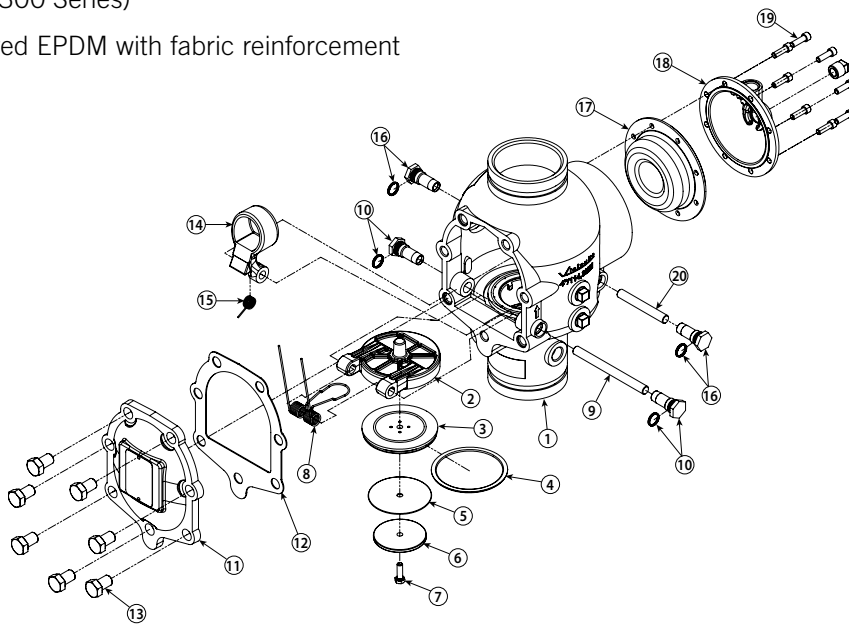
Shafts: Stainless 17-4

Clapper Seal: Peroxide cured EPDM, ASTM D2000

Bushings/Seat O-rings: Nitrile

Springs: Stainless Steel (300 Series)

Diaphragm: Peroxide cured EPDM with fabric reinforcement



The 1½-inch/48.3-mm and 2-inch/60.3-mm valve sizes contain washers under the heads of the cover plate bolts.

Item	Description
1	Valve Body
2	Clapper
3	Clapper Seal
4	Seal Ring
5	Seal Washer
6	Seal Retaining Ring
7	Seal Assembly Bolt
8	Clapper Spring
9	Clapper Shaft
10	Clapper Shaft Bushing and O-Ring (Qty. 2)

Item	Description
11	Cover Plate
12	Cover Plate Gasket
13	Cover Plate Bolts
14	Latch
15	Latch Spring
16	Latch Spring Bushing and O-Ring (Qty. 2)
17	Diaphragm
18	Diaphragm Cover
19	Diaphragm Cover Cap Screws (Qty. 8)
20	Latch Shaft

3.0 SPECIFICATIONS - MATERIAL (Continued)

Standard Trim Package:

Non-Interlocked

- Pneumatic Release: The pneumatic release system uses a supervisory pilot line to detect a release event. When EITHER a pilot sprinkler or a system sprinkler operates, the water in the diaphragm chamber is released and the valve operates.
- Pneumatic/Electric Release: The Victaulic Electric Release System uses an electric solenoid valve, approved electric panel and a compatible detection system. The valve operates when the water in the diaphragm chamber is released when Either an electric detection or a system sprinkler operates.

Single Interlocked

- Electric Release: The Victaulic Electric Release System uses an electric solenoid valve, approved electric panel and a compatible detection system. The valve operates when the water in the diaphragm chamber is released when a release system event occurs.
- Pneumatic Release: The pneumatic release system uses a supervisory pilot line to detect a release event. Only when a pilot sprinkler operates will the water in the diaphragm chamber be released and the valve operate.

Double Interlocked

- Electric Release: The electric/pneumatic/electric release uses two electric detection devices, a fire detection device and a low pressure switch installed in the sprinkler system. The valve will actuate ONLY when BOTH a fire detection event and loss of system pressure occurs.
- Pneumatic/Electric Release: The pneumatic/electric preaction system uses both a pneumatically pressurized sprinkler system, and an electric release system, (composed of an approved solenoid valve, electric panel and an appropriate sensor). The valve will activate ONLY when there is a pressure loss in the sprinkler system AND the electric detection of a release event.
- Pneumatic/Pneumatic: The pneumatic/pneumatic system uses one Series 798 Double Pneumatic Actuator to control the Series 769N Actuated Valve. The valve will operate ONLY when there are sprinklers activated in both the pilot line and the sprinkler system.
- All required pipe nipples and fittings - standard galvanized finish
- All standard trim accessories
- All required gauges
- Series 755 Manual Release Panel

Optional Trim Package: Black Trim for Foam Systems – If the valve is intended for use in a foam system, black trim must be ordered, per NFPA requirements. Specify this requirement on the order.

3.0 SPECIFICATIONS - MATERIAL (Continued)

Optional Accessories:

Alarm Pressure Switch – Alarm pressure switches activate electrical alarms at the control panel when the 769N valve actuates and flows water into the system piping. (Note: an open sprinkler may not actuate a 769N valve but any low air alarms should operate.)

Air Supervisory Pressure Switch – Air Pressure Supervisory Switches are used to monitor low and high system air pressure and are factory pre-set.

Series 746-LPA Dry Accelerator – The Series 746-LPA Dry Accelerator is required when the Series 769N Preaction trim is installed in large systems to improve response time. Refer to Victaulic [publication 30.64](#).

Series 760 Water Motor Alarm – The Series 760 Water Motor Alarm is a mechanical device that sounds when the 769N valve actuates and is filling the system and discharging any water through any open sprinklers. Refer to Victaulic [publication 30.32](#).

Series 75B Supplemental Alarm Device – The Series 75B Supplemental Alarm Device is designed to provide a continuous alarm for systems equipped with a mechanical device. Refer to Victaulic publication 30.33.

Series 75D Water Column Kit – The Series 75D Water Column Kit is designed to minimize residual water in the riser from collecting above the clapper. Refer to Victaulic [publication 30.34](#).

AutoConvert Kit – The AutoConvert Kit includes the Series 776 Low Pressure Actuator, latching solenoid, strainer, 3-in-1 strainer/check/restrictor assembly, air pressure gauge and assembly trim. It is ordered separately and can be installed on any FireLock NXT Single Interlock or Double Interlock Preaction system that includes a solenoid.

Air Supply System – The air supply system contains all components for establishing and maintaining air in the system. The compressor ball valves, and required trim are included in the air supply system.

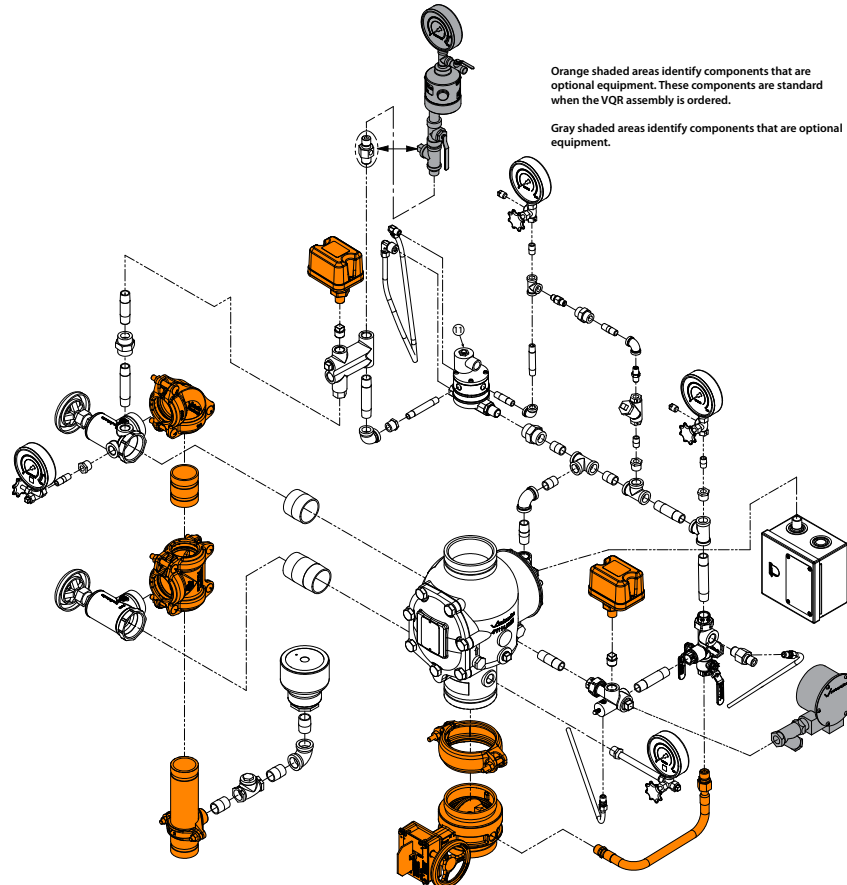
Air Compressor Refer to Victaulic [publication 30.22](#).

Air Maintenance Trim Assembly Refer to Victaulic [publication 30.35](#).

Fire Alarm Control Panels

Drain Connection Kit

Redundant Electric Solenoid made by alternate manufacturer required by LPCB approval.



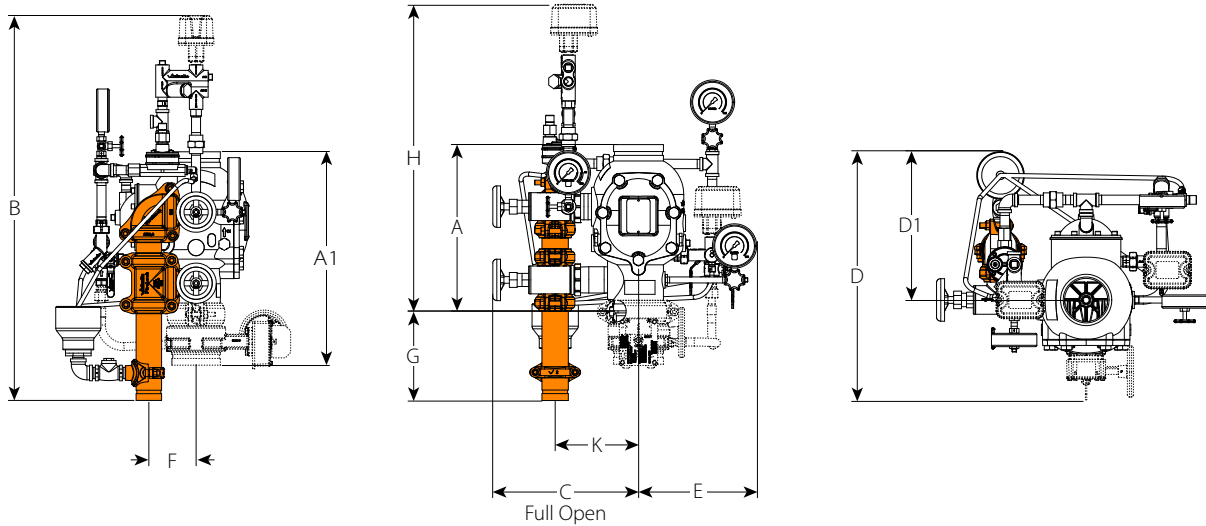
4.0 DIMENSIONS

A 4"/114.3 mm valve with single-interlocked pneumatic release preaction trim is shown below

1 ½ – 2"/48.3 – 60.3 mm configurations contain ¾"/19 mm drain valves

2 ½ – 3"/73.0 – 88.9 mm configurations contain 1 ¼"/31 mm drain valves

4 – 8"/114.3 – 219.1 mm configurations contain 2"/50 mm drain valves



Size		Dimensions											Weight Each	
Nominal	Actual Outside Diameter	A	A1	B	C	D	D1	E	F	G	H	K	Without Trim	With Trim
inches DN	inches mm	inches mm	inches mm	inches mm	inches mm	inches mm	inches mm	inches mm	inches mm	inches mm	inches mm	inches mm	lb kg	lb kg
1 ½ DN40	1.900 48.3	9.00 228.60	16.37 415.80	34.25 870	9.25 235	16.25 413	11.00 279	9.00 229	3.25 83	10.25 260	24.00 610	6.00 152	16.7 7.6	43.0 19.5
2 DN50	2.375 60.3	9.00 228.60	13.83 351.28	34.25 870	9.25 235	17.50 445	11.00 279	9.00 229	3.25 83	10.25 260	24.00 610	6.00 152	17.0 7.7	43.0 19.5
2 ½ DN65	2.875 73.0	12.61 320.29	16.51 419.35	35.75 908	11.25 286	20.00 508	12.50 318	9.50 241	4.00 102	9.75 248	26.00 660	6.50 165	41.0 18.7	65.0 29.5
3 DN80	3.500 88.9	12.61 320.29	16.51 419.35	35.75 908	11.25 286	20.00 508	12.50 318	9.50 241	4.00 102	9.75 248	26.00 660	6.50 165	41.0 18.7	65.0 29.5
4 DN100	4.500 114.3	15.03 381.76	19.85 504.19	36.50 927	13.50 343	22.25 565	13.50 343	11.00 279	4.75 121	8.50 216	28.00 711	8.00 203	59.0 26.7	95.0 43.0
	6.500 165.1	16.00 406.40	22.13 562.10	36.75 933	14.00 356	24.50 622	13.25 337	11.00 279	4.50 114	8.25 210	28.50 724	8.25 210	80.0 36.2	116.0 52.6
6 DN150	6.625 168.3	16.00 406.40	22.13 562.10	36.75 933	14.00 356	24.50 622	13.25 337	11.00 279	4.50 114	8.25 210	28.50 724	8.25 210	80.0 36.2	116.0 52.6
8 DN200	8.625 219.1	17.50 444.50	23.02 584.71	39.50 1003	14.75 375	27.00 686	13.50 343	12.25 311	4.75 121	8.25 210	31.25 794	9.25 235	122.0 55.3	158.0 71.6

NOTES

- The drawings shown above reflect the single-interlocked pneumatic release trim with Series 776 Low-Pressure Actuator. In addition, these dimensions can be applied to all other trim configurations featured within this manual.
- The “A” dimension is the actual takeout dimension of the valve body.
- The “A1” dimension is the actual takeout dimension of the valve body with water supply main control valve.
- For systems with the optional Series 746-LPA Dry Accelerator, add 11.50 inches/292 mm to the “B” dimension to account for the additional height.
- The “D” and “D1” dimensions are not fixed measurements. The drip cup can be rotated to provide more clearance at the back of the trim.
- Components shown as dotted lines denote optional equipment.
- The recommended drain connection kit (shaded in orange) is for reference and takeout dimensions. This drain connection comes standard when the VQR assembly is ordered.

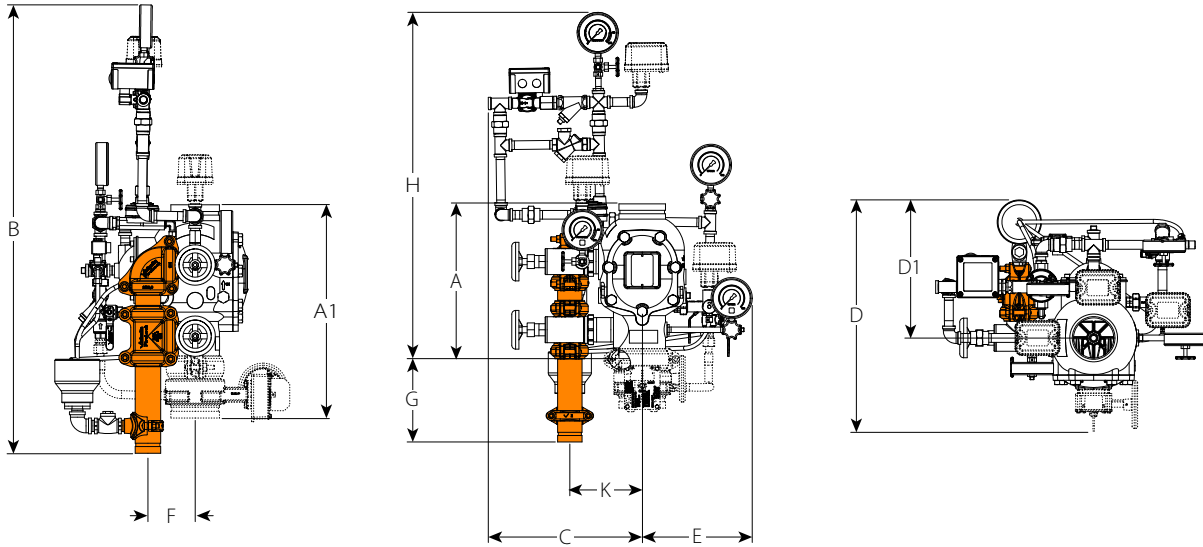
4.1 DIMENSIONS

A 4"/114.3 mm valve with electric autoconvert dry release preaction trim is shown below

1 1/2 – 2"/48.3 – 60.3 mm configurations contain 3/4"/19 mm drain valves

2 1/2 – 3"/73.0 – 88.9 mm configurations contain 1 1/4"/31 mm drain valves

4 – 8"/114.3 – 219.1 mm configurations contain 2"/50 mm drain valves



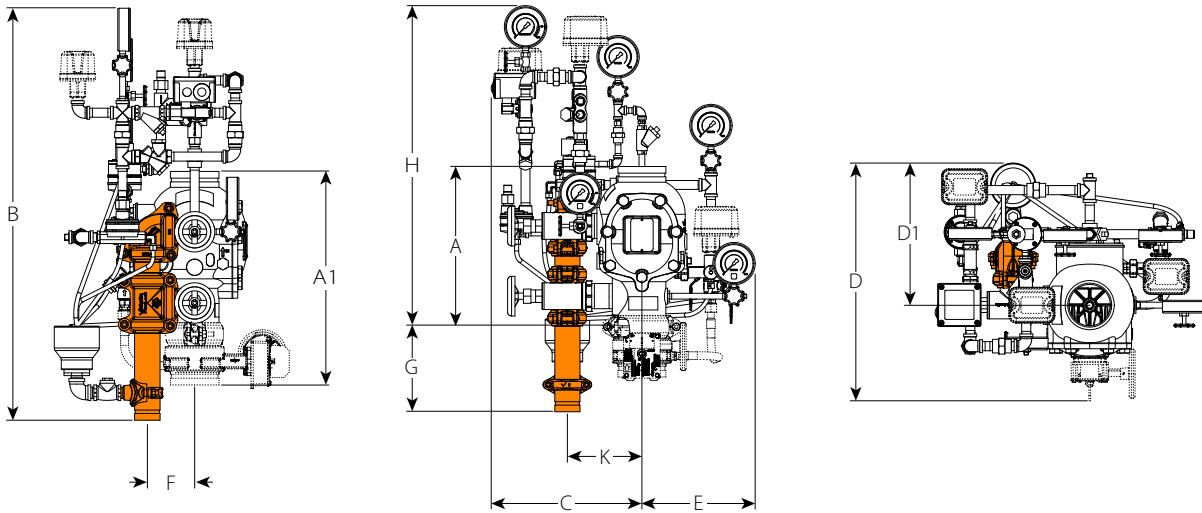
Size	Dimensions											Weight Each	
Nominal inches or mm	A inches mm	A1 inches mm	B inches mm	C inches mm	D inches mm	D1 inches mm	E inches mm	F inches mm	G inches mm	H inches mm	K inches mm	Without Trim lb kg	With Trim lb kg
1 1/2	9.00 228.60	16.37 415.80	38.00 965	15.50 394	25.00 635	16.25 413	9.50 241	3.25 83	10.25 260	27.75 705	6.00 152	16.7 7.6	43.0 19.5
2	9.00 228.60	13.83 351.28	38.00 965	15.50 394	25.00 635	16.25 413	9.50 241	3.25 83	10.25 260	27.75 705	6.00 152	17.0 7.7	43.0 19.5
2 1/2	12.61 320.29	16.51 419.35	40.75 1035	16.00 406	24.00 610	15.00 381	9.50 241	4.00 102	9.75 248	31.00 787	6.50 165	41.0 18.7	65.0 29.5
76.1 mm	12.61 320.29	16.51 419.35	40.75 1035	16.00 406	24.00 610	15.00 381	9.50 241	4.00 102	9.75 248	31.00 787	6.50 165	41.0 18.7	65.0 29.5
3	12.61 320.29	16.51 419.35	40.75 1035	16.00 406	24.00 610	15.00 381	9.50 241	4.00 102	9.75 248	31.00 787	6.50 165	41.0 18.7	65.0 29.5
4	15.03 381.76	19.85 504.19	42.50 1080	15.25 387	22.50 572	14.75 375	11.00 279	4.75 121	8.50 216	34.00 864	7.50 191	59.0 26.7	95.0 43.0
165.1 mm	16.00 406.40	22.13 562.10	42.50 1080	15.25 387	26.00 660	15.25 387	11.00 279	4.50 114	8.25 210	34.25 870	8.25 210	80.0 36.2	116.0 52.6
6	16.00 406.40	22.13 562.10	42.50 1080	15.25 387	26.00 660	15.25 387	11.00 279	4.50 114	8.25 210	34.25 870	8.25 210	80.0 36.2	116.0 52.6
8	17.50 444.50	23.02 584.71	44.50 1130	18.50 470	30.00 762	16.00 406	12.25 311	4.75 121	8.25 210	36.25 921	9.25 235	122.0 55.3	158.0 71.6

NOTES

- The drawings shown above reflect the electric AutoConvert dry release trim. In addition, these dimensions can be applied to the redundant solenoid valve configuration.
- The "A" dimension is the actual takeout dimension of the valve body.
- The "A1" dimension is the actual takeout dimension of the valve body with water supply main control valve.
- For systems with the optional Series 746-LPA Dry Accelerator, add 9.50 inches/241 mm to the "B" dimension to account for the additional height.
- Components shown as dotted lines denote optional equipment.
- The recommended drain connection kit (shaded in orange) is for reference and takeout dimensions. This drain connection comes standard when the VQR assembly is ordered.

4.2 DIMENSIONS

A 4"/114.3 mm valve with double-interlocked electric/pneumatic autoconvert dry release preaction trim is shown below
 1 1/2 – 2"/48.3 – 60.3 mm configurations contain 3/4"/19 mm drain valves
 2 1/2 – 3"/73.0 – 88.9 mm configurations contain 1 1/4"/31 mm drain valves
 4 – 8"/114.3 – 219.1 mm configurations contain 2"/50 mm drain valves



Size	Dimensions											Weight Each	
	Nominal inches or mm	A inches mm	A1 inches mm	B inches mm	C inches mm	D inches mm	D1 inches mm	E inches mm	F inches mm	G inches mm	H inches mm	K inches mm	Without Trim lb kg
1 1/2	9.00	16.37	36.50	17.50	20.25	13.50	9.00	3.25	10.25	26.25	6.00	16.7	43.0
	228.60	415.80	927	445	514	343	229	83	260	667	152	7.6	19.5
2	9.00	13.83	36.50	17.50	20.25	13.50	9.00	3.25	10.25	26.25	6.00	17.0	43.0
	228.60	351.28	927	445	514	343	229	83	260	667	152	7.7	19.5
2 1/2	12.61	16.51	38.25	17.50	20.75	13.50	9.50	4.00	9.75	28.50	6.50	41.0	65.0
	320.29	419.35	972	445	527	343	241	102	248	724	165	18.7	29.5
76.1 mm	12.61	16.51	38.25	17.50	20.75	13.50	9.50	4.00	9.75	28.50	6.50	41.0	65.0
	320.29	419.35	972	445	527	343	241	102	248	724	165	18.7	29.5
3	12.61	16.51	38.25	17.50	20.75	13.50	9.50	4.00	9.75	28.50	6.50	41.0	65.0
	320.29	419.35	972	445	527	343	241	102	248	724	165	18.7	29.5
4	15.03	19.85	39.00	14.25	20.25	12.50	11.00	4.75	8.50	30.50	7.50	59.0	95.0
	381.76	504.19	991	362	514	318	279	121	216	775	191	26.7	43.0
165.1 mm	16.00	22.13	40.25	15.00	20.75	13.00	11.00	4.50	8.50	31.75	8.25	80.0	116.0
	406.40	562.10	1022	381	527	330	279	114	216	806	210	36.2	52.6
6	16.00	22.13	40.25	15.00	20.75	13.00	11.00	4.50	8.50	31.75	8.25	80.0	116.0
	406.40	562.10	1022	381	527	330	279	114	216	806	210	36.2	52.6
8	17.50	23.02	41.75	16.00	21.50	13.50	12.25	4.75	8.25	33.50	9.25	122.0	158.0
	444.50	584.71	1060	406	546	343	311	121	210	851	235	55.3	71.6

NOTES

- The drawings shown above reflect the electric AutoConvert dry release trim. In addition, these dimensions can be applied to the redundant solenoid valve configuration.
- The "A" dimension is the actual takeout dimension of the valve body.
- The "A1" dimension is the actual takeout dimension of the valve body with water supply main control valve.
- For systems with the optional Series 746-LPA Dry Accelerator, add 9.50 inches/241 mm to the "B" dimension to account for the additional height.
- Components shown as dotted lines denote optional equipment.
- The recommended drain connection kit (shaded in orange) is for reference and takeout dimensions. This drain connection comes standard when the VQR assembly is ordered.

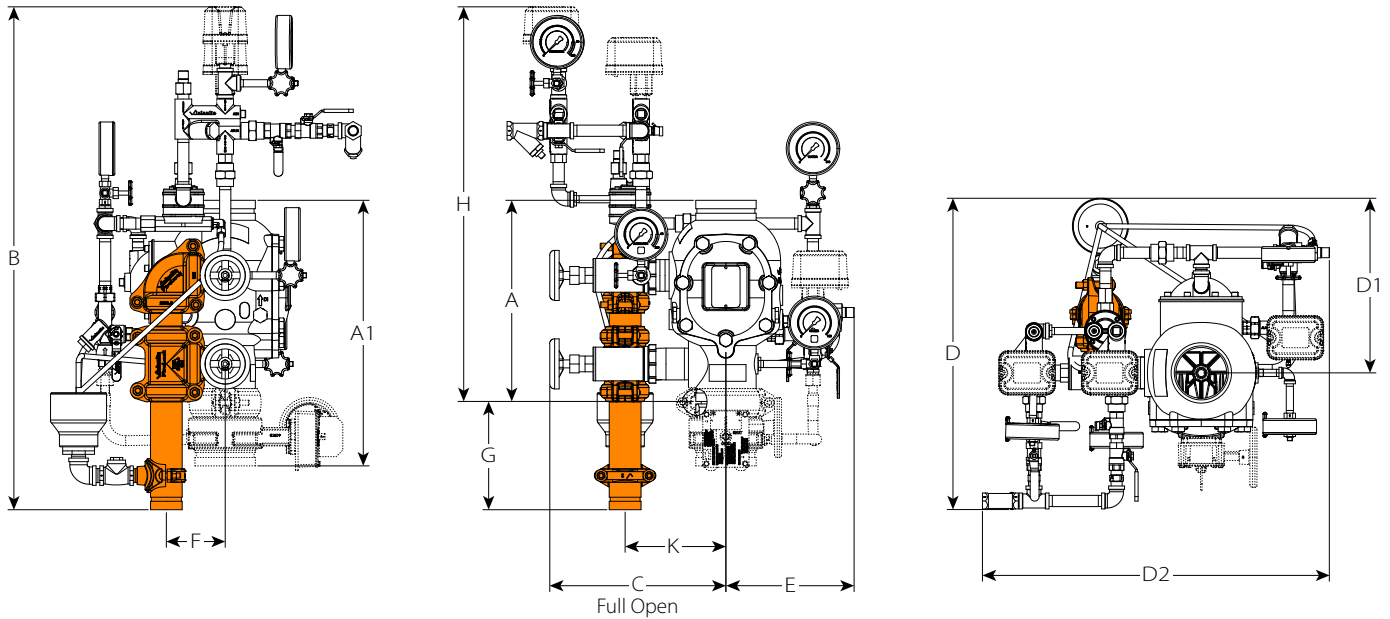
4.3 DIMENSIONS

A 4"/114.3 mm valve with double-interlocked pneumatic/pneumatic release preaction trim is shown below

1 1/2 – 2"/48.3 – 60.3 mm configurations contain 3/4"/19 mm drain valves

2 1/2 – 3"/73.0 – 88.9 mm configurations contain 1 1/4"/31 mm drain valves

4 – 8"/114.3 – 219.1 mm configurations contain 2"/50 mm drain valves



Size	Dimensions												Weight Each	
Nominal inches or mm	A inches mm	A1 inches mm	B inches mm	C inches mm	D inches mm	D1 inches mm	D2 inches mm	E inches mm	F inches mm	G inches mm	H inches mm	K inches mm	Without Trim lb kg	With Trim lb kg
1 1/2	9.00	16.37	36.00	9.25	21.25	11.00	23.50	9.25	3.25	10.25	25.75	6.00	16.7	43.0
	228.60	415.80	914	235	540	279	597	235	83	260	654	152	7.6	19.5
2	9.00	13.83	36.00	9.25	21.25	11.00	23.50	9.25	3.25	10.25	25.75	6.00	17.0	43.0
	228.60	351.28	914	235	540	279	597	235	83	260	654	152	7.7	19.5
2 1/2	12.61	16.51	37.75	11.25	22.50	12.50	24.75	9.50	4.00	9.75	28.00	6.50	41.0	65.0
	320.29	419.35	959	286	572	318	629	241	102	248	711	165	18.7	29.5
76.1 mm	12.61	16.51	37.75	11.25	22.50	12.50	24.75	9.50	4.00	9.75	28.00	6.50	41.0	65.0
	320.29	419.35	959	286	572	318	629	241	102	248	711	165	18.7	29.5
3	12.61	16.51	37.75	11.25	22.50	12.50	24.75	9.50	4.00	9.75	28.00	6.50	41.0	65.0
	320.29	419.35	959	286	572	318	629	241	102	248	711	165	18.7	29.5
4	15.03	19.85	38.50	13.50	23.75	13.50	26.25	10.00	4.75	8.50	30.00	8.00	59.0	111.0
	381.76	504.19	978	343	603	343	667	254	121	216	762	203	26.7	50.3
165.1 mm	16.00	22.13	39.25	14.00	24.50	13.25	27.75	11.00	4.50	8.25	31.00	8.25	80.0	132.0
	406.40	562.10	997	356	622	337	705	279	114	210	787	210	36.2	59.8
6	16.00	22.13	39.25	14.00	24.50	13.25	27.75	11.00	4.50	8.25	31.00	8.25	80.0	132.0
	406.40	562.10	997	356	622	337	705	279	114	210	787	210	36.2	59.8
8	17.50	23.02	41.25	14.75	27.00	13.50	29.75	12.25	4.75	8.25	33.00	9.25	122.0	174.0
	444.50	584.71	1048	375	686	343	756	311	121	210	838	235	55.3	78.9

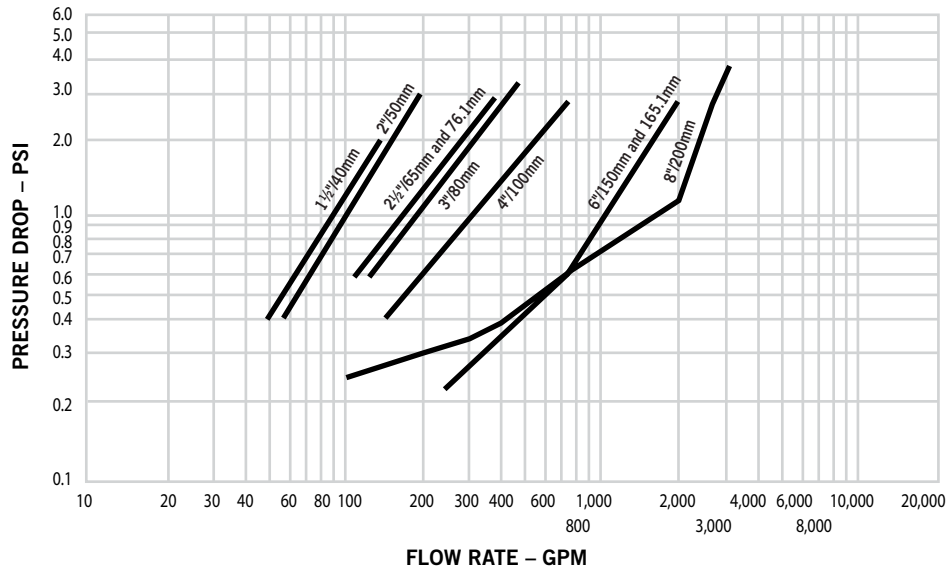
NOTES

- The “A” dimension is the actual takeout dimension of the valve body.
- The “A1” dimension is the actual takeout dimension of the valve body with water supply main control valve.
- For systems with optional Series 746-LPA Dry Accelerators, add 11.50 inches/292 mm to the “B” dimension to account for the additional height.
- The “D” and “D1” dimensions are not fixed measurements. The drip cup can be rotated to provide more clearance at the back of the trim.
- Components shown as dotted lines denote optional equipment.
- The recommended drain connection kit (shaded in orange) is for reference and takeout dimensions. This drain connection comes standard when the VQR assembly is ordered.

5.0 PERFORMANCE

Hydraulic Friction Loss

The chart below expresses the flow of water at 65°F/18°C through an open valve.



Frictional Resistance

The chart below expresses the frictional resistance of Victaulic Series 769N FireLock NXT. Preaction Trim in equivalent feet of straight pipe.

Nominal Size inches DN	Actual Outside Diameter inches mm	Equivalent Length of Pipe feet meters
1 1/2 DN40	1.900 48.3	3.00 0.914
2 DN50	2.375 60.3	9.00 2.743
2 1/2	2.875 73.0	8.00 2.438
76.1 mm DN65	3.000 76.1	8.00 2.439
3 DN80	3.500 88.9	17.00 5.182
4 DN100	4.500 114.3	21.00 6.401
165.1 mm	6.500 165.1	22.00 6.706
6 DN150	6.625 168.3	22.00 6.706
8 DN200	8.625 219.1	50.00 15.240

Cv Values:

Cv values for flow of water at +60°F/+16°C through a fully open valve are shown in the table below.

Formulas for Cv values

$$\Delta P = Q^2 / C_v^2$$

$$Q = C_v \times \sqrt{\Delta P}$$

Where:

Flow Coefficient	Cv
Q (Flow)	GPM
ΔP (Pressure Drop)	psi

Valve Size		Full Open
Nominal Size inches mm	Actual Outside Diameter inches mm	Flow Coefficient Cv Kv
1 1/2 DN40	1.900 48.3	60 52.0
2 DN50	2.375 60.3	110 95.0
2 1/2	2.875 73.0	180 156.0
76.1 mm DN65	3.000 76.1	180 156.0
3 DN80	3.500 88.9	200 173.0
4 DN100	4.500 114.3	350 302.8
165.1 mm	6.500 165.1	1000 865.0
6 DN150	6.625 168.3	1000 865.0
8 DN200	8.625 219.1	1500 1297.5

5.0 PERFORMANCE (Continued)

Air Supply Requirements

- Minimum: 13 psi/90 kPa/.9 Bar regardless of the system water pressure
- Maximum Recommended: 18 psi/124 kPa/1.24 Bar
- Sizing the compressor:
 - Engineer/system designer is responsible
 - Entire system must be charged to the required air pressure within 30 minutes to meet NFPA requirements
 - An oversized compressor will slow down or possibly prevent valve operation
 - Compressor filling the system too fast:
 - May be necessary to restrict the air supply
 - Ensure that air exhausted from an open sprinkler or manual release valve is not replaced by the air supply system as fast as it is exhausted
- Compressor Requirements
 - Base or Riser Mounted Compressors:
 - “On” or “low” pressure setting: 13 psi/90 kPa/.9 Bar
 - “Off” or “high” pressure setting: 18 psi/124 kPa/1.24 Bar
 - Victaulic Series 7C7 riser mounted and pre-set for pressure requirements (refer to Victaulic submittal 30.22).
 - If the compressor is not equipped with a pressure switch, the Series 757P Air Maintenance Trim Assembly with pressure switch should be installed (refer to Victaulic submittal 30.36).
 - Shop Air or Tank-Mounted Air Compressors:
 - Series 757 Regulated Air Maintenance Trim Assembly should be installed (refer to Victaulic [submittal 30.35](#))
 - 13 psi/90 kPa/.9 Bar should be used as the set point for the air regulator
 - The compressor cut-in (turn-on) pressure setting should be at least 5 psi/34kPa/34 Bar above the set point of the air regulator.
 - Exploded View Trim: Series 757 Regulated Air Maintenance Trim Assembly (refer to Victaulic [submittal 30.35](#))
- Compressor Requirements and settings for systems installed with series 746 or series 746-LPA dry accelerators
 - A tank-mounted air compressor with a Series 757 Regulated AMTA must be used to supply air to system installed with a Series 746 or Series 746-LPA Dry Accelerator.
 - In the event a compressor becomes inoperative, a properly sized tank-mounted air compressor provides the greatest protection, since air can be supplied continuously to the sprinkler system for an extended time period.

Electrical Release Requirements







- Verify that an approved control panel is installed for proper system operation.

5.0 PERFORMANCE (Continued)

Autoconvert Requirements

- System must be installed in conjunction with a Notifier RP-2001 family panel, System Sensor PDRP-2001, or a Potter 4410RC panel to be in compliance with FM Approvals. See [publication SYS-21](#).
- AutoConvert Trim: In the event of an AC power loss, the AutoConvert module latches from Closed to Open with a quick electrical pulse. To stay open, no further current draw is required as would be needed in a normally open solenoid. This opened pathway allows the included Series 776 Low Pressure Actuator to operate as a dry actuator, putting the preaction system into a Non-Interlocked condition. In this case, an electrical release from the FACP and an air loss in the system or the system air loss would allow the Series 769N valve to actuate, filling the pipe with water. Upon an AC power return, the Auto-Convert module senses the restoration and latches the path from the Series 776 Low Pressure Actuator closed, returning the preaction valve to its standard release method.

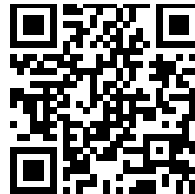
6.0 NOTIFICATIONS

⚠ WARNING					
					
<ul style="list-style-type: none">• Read and understand all instructions before attempting to install, remove, adjust, or maintain any Victaulic piping products.• Depressurize and drain the piping system before attempting to install, remove, adjust, or maintain any Victaulic piping products.• Wear safety glasses, hardhat, and foot protection. <p>Failure to follow these instructions could result in death or serious personal injury and property damage.</p>					

7.0 REFERENCE MATERIALS

- [30.22: FireLock® Compressor Package Series 7C7 Publication](#)
- [30.32: FireLock™ Water Motor Alarm Series 760 Publication](#)
- [30.35: FireLock™ Air Maintenance Trim Assembly Series 757 Publication](#)
- [30.36: FireLock™ Air Maintenance Trim Assembly Series 757P Publication](#)
- [30.41: FireLock™ Manual Pull Station Series 755 Publication](#)
- [30.61: FireLock™ Double-Pneumatic Actuator Series 798 Publication](#)
- [30.62: FireLock™ Low Pressure Actuator Series 767 Publication](#)
- [30.63: FireLock™ Electric Solenoid Series 753E Publication](#)
- [30.65: FireLock™ Low Pressure Actuator Series 776 Publication](#)
- [30.84 FireLock NXT™ AutoConvert Trim Assembly for Preaction Devices Publication](#)
- [I-769N.Preaction](#)
- [I-769N.Preaction/DPA](#)
- [I-769N.Preaction/EPA](#)
- [I-769N.Preaction/AC-Elec](#)
- [I-769N.Preaction/AC-EP](#)

Scan for reference documents.



User Responsibility for Product Selection and Suitability

Each user bears final responsibility for making a determination as to the suitability of Victaulic products for a particular end-use application, in accordance with industry standards and project specifications, as well as Victaulic performance, maintenance, safety, and warning instructions. Nothing in this or any other document, nor any verbal recommendation, advice, or opinion from any Victaulic employee, shall be deemed to alter, vary, supersede, or waive any provision of Victaulic Company's standard conditions of sale, installation guide, or this disclaimer.

Intellectual Property Rights

No statement contained herein concerning a possible or suggested use of any material, product, service, or design is intended, or should be construed, to grant any license under any patent or other intellectual property right of Victaulic or any of its subsidiaries or affiliates covering such use or design, or as a recommendation for the use of such material, product, service, or design in the infringement of any patent or other intellectual property right. The terms "Patented" or "Patent Pending" refer to design or utility patents or patent applications for articles and/or methods of use in the United States and/or other countries.

Note

This product shall be manufactured by Victaulic or to Victaulic specifications. All products to be installed in accordance with current Victaulic installation/assembly instructions. Victaulic reserves the right to change product specifications, designs and standard equipment without notice and without incurring obligations.

Installation

Reference should always be made to the Victaulic installation handbook or installation instructions of the product you are installing. Handbooks are included with each shipment of Victaulic products, providing complete installation and assembly data, and are available in PDF format on our website at www.victaulic.com.

Warranty

Refer to the Warranty section of the current Price List or contact Victaulic for details.

Trademarks

Victaulic and all other Victaulic marks are the trademarks or registered trademarks of Victaulic Company, and/or its affiliated entities, in the U.S. and/or other countries.