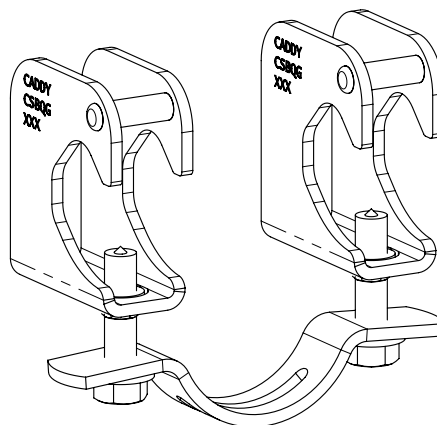


# CSBQG

## Quick Grip Lateral Sway Brace



Global Part No.	Service Pipe Size NB/DN		UL® Load Rating	FM® Load Rating			
				Lightwall			
	Inch	mm		30°-44°	45°-59°	60°-74°	75°-90°
CSBQG0250XX	2-1/2"	NA	2015lbs [8963N]	1410lbs [6270N]	2000lbs [8895N]	2450lbs [10900N]	2740lbs [12190N]
CSBQG0250MXX*	NA	65	NA	1410lbs [6270N]	2000lbs [8895N]	2450lbs [10900N]	2740lbs [12190N]
CSBQG0300XX	3"	75	2015lbs [8963N]	1190lbs [6312N]	1680lbs [7475N]	2060lbs [9163N]	2300lbs [10230N]
CSBQG0400XX	4"	100	2015lbs [8963N]	1190lbs [6312N]	1680lbs [7475N]	2060lbs [9163N]	2300lbs [10230N]
CSBQG0600XX	6"	125	2015lbs [8963N]	870lbs [3870N]	1230lbs [5470N]	1510lbs [6715N]	1690lbs [7515N]
Schedule 10							
CSBQG0250XX	2-1/2"	NA	2015lbs [8963N]	1410lbs [6270N]	2000lbs [8895N]	2450lbs [10900N]	2740lbs [12190N]
CSBQG0250MXX*	NA	65	NA	1410lbs [6270N]	2000lbs [8895N]	2450lbs [10900N]	2740lbs [12190N]
CSBQG0300XX	3"	75	2015lbs [8963N]	1190lbs [5295N]	1680lbs [7475N]	2060lbs [9163N]	2300lbs [10230N]
CSBQG0400XX	4"	100	2015lbs [8963N]	1190lbs [5295N]	1680lbs [7475N]	2060lbs [9163N]	2300lbs [10230N]
CSBQG0500XX	5"	125	2015lbs [8963N]	870lbs [3870N]	1230lbs [5470N]	1510lbs [6715N]	1690lbs [7515N]
CSBQG0600XX	6"	150	2015lbs [8963N]	870lbs [3870N]	1230lbs [5470N]	1510lbs [6715N]	1690lbs [7515N]
CSBQG0800XX	8"	200	2015lbs [8963N]	790lbs [3515N]	1110lbs [4940N]	1360lbs [6050N]	1520lbs [6760N]
Schedule 40							
CSBQG0250XX	2-1/2"	NA	2015lbs [8963N]	1410lbs [6270N]	2000lbs [8895N]	2450lbs [10900N]	2740lbs [12190N]
CSBQG0250MXX*	NA	65	NA	1410lbs [6270N]	2000lbs [8895N]	2450lbs [10900N]	2740lbs [12190N]
CSBQG0300XX	3"	75	2015lbs [8963N]	1190lbs [5295N]	1680lbs [7475N]	2060lbs [9163N]	2300lbs [10230N]
CSBQG0400XX	4"	100	2015lbs [8963N]	1190lbs [5295N]	1680lbs [7475N]	2060lbs [9163N]	2300lbs [10230N]
CSBQG0500XX	5"	125	2015lbs [8963N]	970lbs [4315N]	1370lbs [6095N]	1680lbs [7475N]	1870lbs [8320N]
CSBQG0600XX	6"	150	2015lbs [8963N]	970lbs [4315N]	1370lbs [6095N]	1680lbs [7475N]	1870lbs [8320N]
CSBQG0800XX	8"	200	2015lbs [8963N]	790lbs [3515N]	1110lbs [4940N]	1360lbs [6050N]	1520lbs [6760N]

(XX) = Finish Specifier

UL Listed with lightwall (Commonly referred to as Schedule 7) Sizes 2.5, 3, 4" with Dyna-Flow; Sizes 2.5, 3, 4 and 6" with Wheatland Mega Flow; Sizes 2.5, 3, 4" with Bull Moose Eddy Flow; 2.5, 3, 4" with Youngstown Tube Fire-Flow.

FM Load rating for Schedule 10 may be applied to GB/T 3091, GB/T 3092 and FM Approved Thinwall pipe.

FM Approved with 1" or 1-1/4" Schedule 40 or GB/T 3091 brace pipe.

FM Load rating for Lightwall may also be applied to GB/T 8163 pipe.

\*For CSBQG0250MXX use DN25 or DN32 Brace Pipe.

Sway brace assemblies are intended to be installed in accordance with NFPA®-13 and the manufacturer's installation instructions.

#### WARNING:

1. nVent products shall be installed and used only as indicated in nVent product instruction sheets and training materials. Instruction sheets are available at [www.nVent.com](http://www.nVent.com) and from your nVent customer service representative.
2. nVent products must never be used for a purpose other than the purpose for which they were designed or in a manner that exceeds specified load ratings.
3. All instructions must be **completely** followed to ensure proper and safe installation and performance.
4. Improper installation, misuse, misapplication or other failure to completely follow nVent's instructions and warnings may cause product malfunction, property damage, serious bodily injury and/or death, and void your warranty.
5. Products that are manufactured using spring steel components shall be used only in a non-corrosive indoor environment.
6. All pipe supports, hangers, intermediate components and structural attachments must **ONLY** be used as described herein and are **NEVER** to be used for any other purpose.

NOTE: All load ratings are for static conditions and do not account for dynamic loading such as wind, water or seismic loads, unless otherwise noted.

The customer is responsible for:

- a. Conformance to all governing codes.
- b. The integrity of structures to which the products are attached, including their capability of safely accepting the loads imposed, as evaluated by a qualified engineer.
- c. Using appropriate industry standard hardware as noted above.

#### SAFETY INSTRUCTIONS:

All governing codes and regulations and those required by the job site must be observed. Always use appropriate safety equipment such as eye protection, hard hat, and gloves as appropriate to the application.

Dyna-Flow is a registered trademark of Allied Tube and Conduit Corporation.

EZ FLOW is a trademark of Northwest Pipe Company.

FM is a registered certification mark of FM Approvals LLC, LTD.

NFPA is a registered trademark of National Fire Protection Association, Inc.

nVent, nVent CADDY, nVent ERICO Cadweld, nVent ERICO Critec, nVent ERICO, nVent ERIFLEX, and nVent LENTON are owned by nVent or its global affiliates. All other trademarks are the property of their respective owners. nVent reserves the right to change specifications without prior notice.

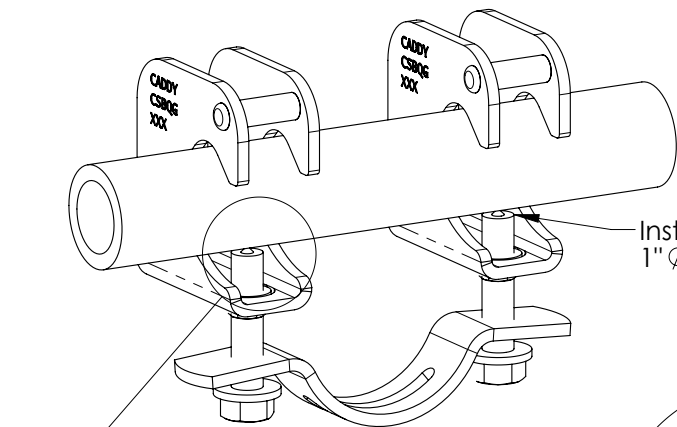
TECHNICAL SUPPORT:  
[www.nVent.com](http://www.nVent.com)

CFS452\_K

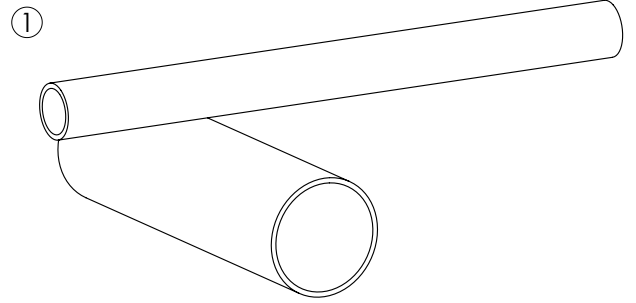
1 OF 9

© 2011-2019 nVent All Rights Reserved

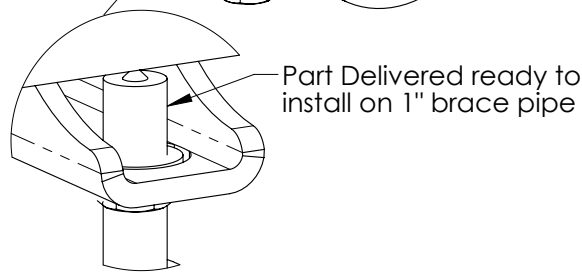




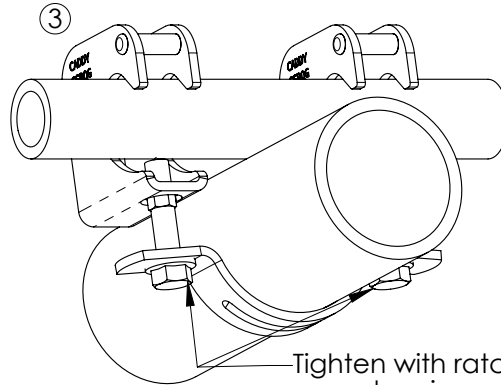
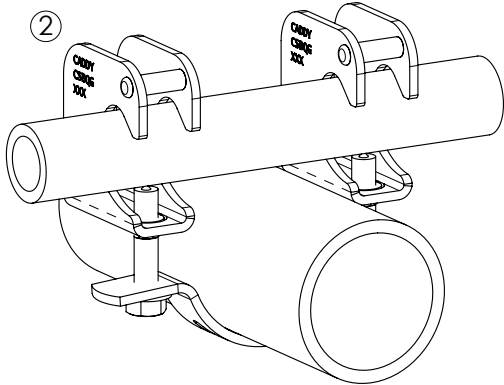
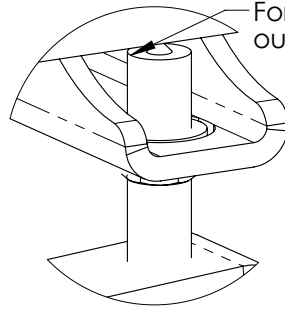
Installed in 1"  $\varnothing$  position.



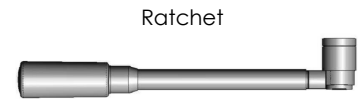
For 1-1/4" brace pipe, unscrew bolts out until flats align as shown.



Part Delivered ready to install on 1" brace pipe



Tighten with ratchet, wrench or impact driver.

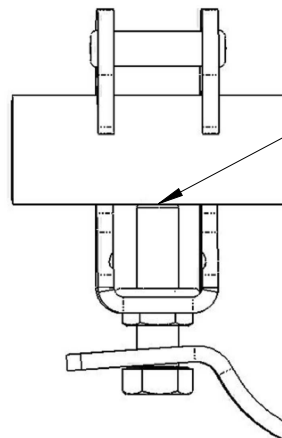
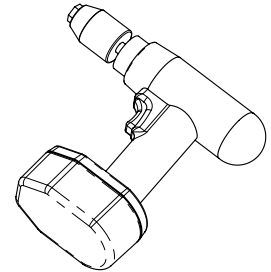


Ratchet

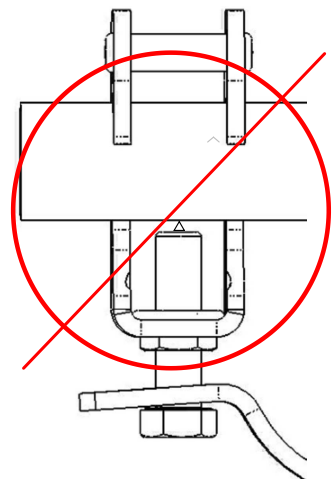


Wrench

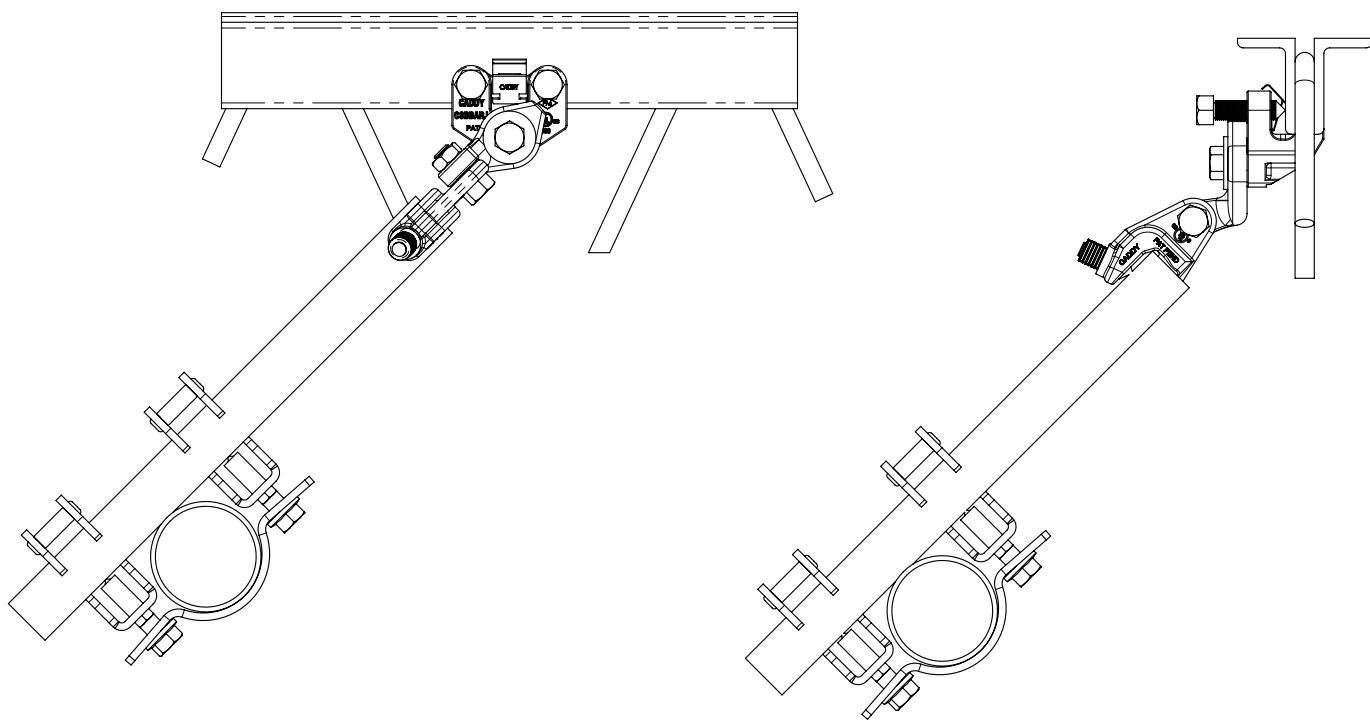
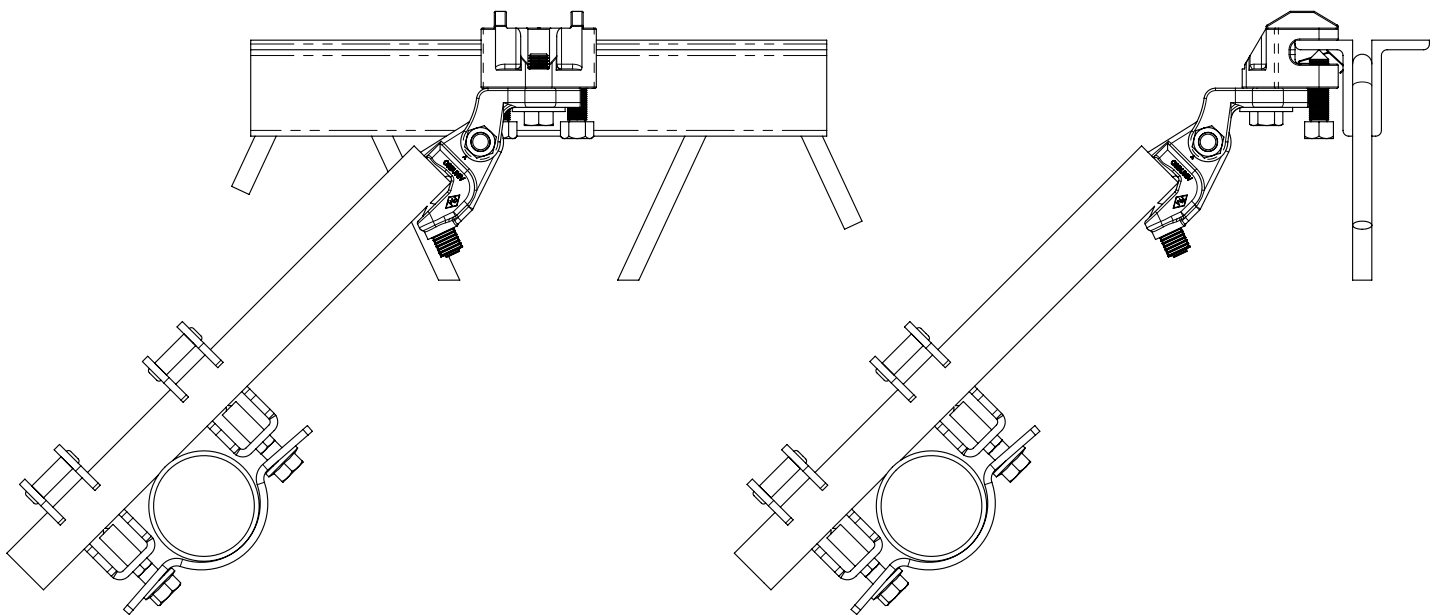
Impact Driver

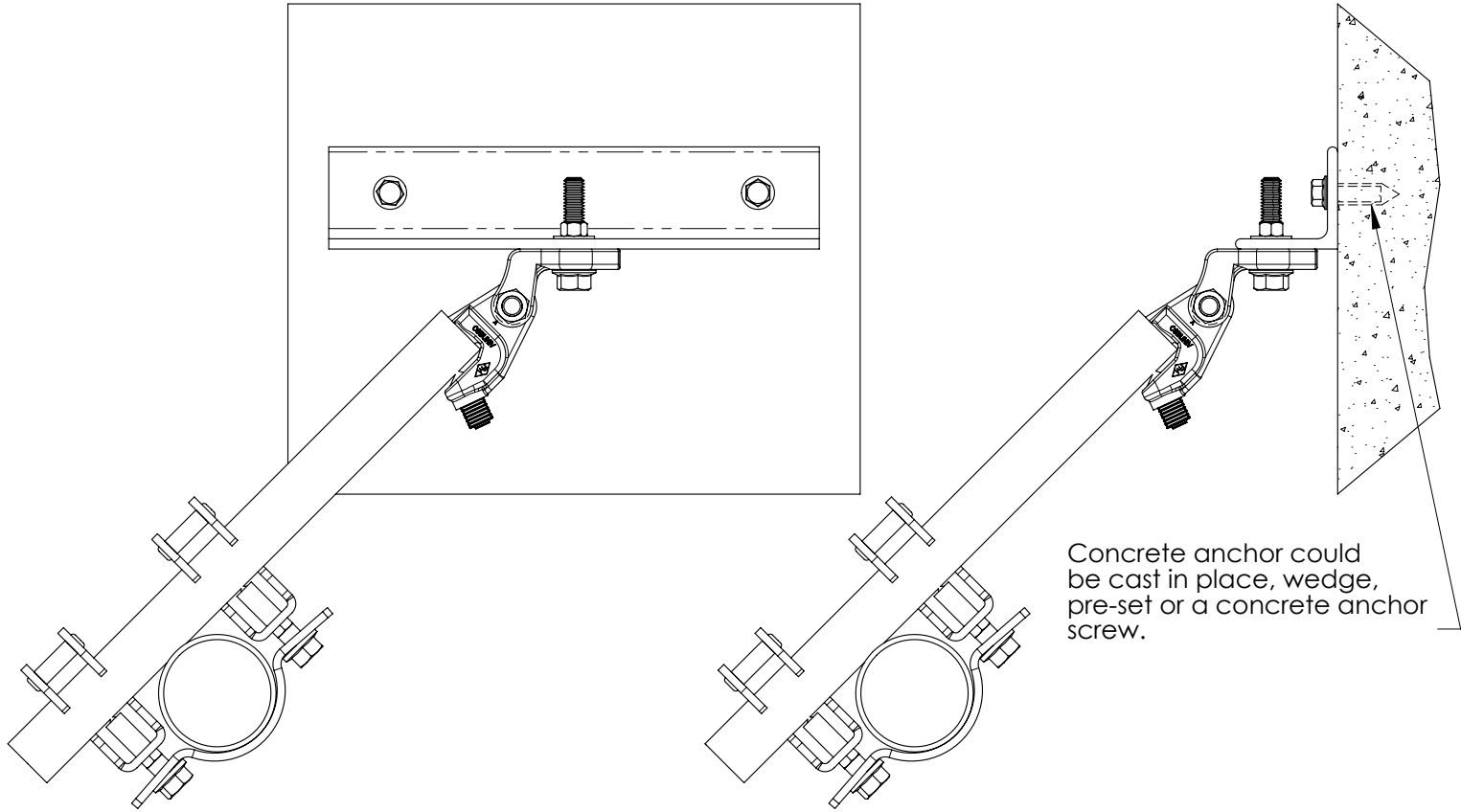


Proper Install:  
Point of bolt  
not visible

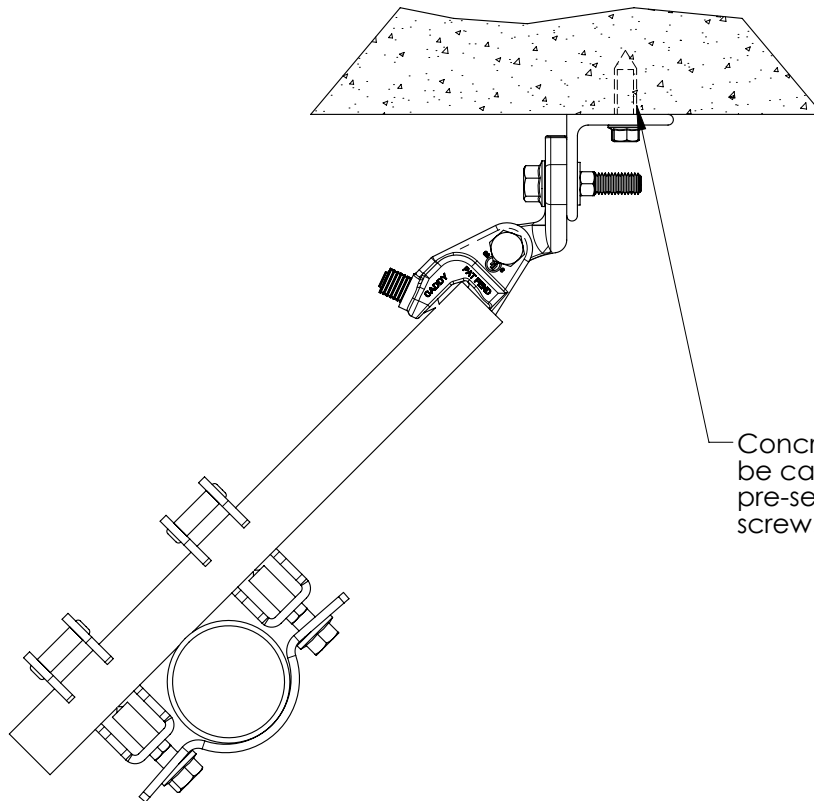


Not Installed:  
Point of bolt  
visible

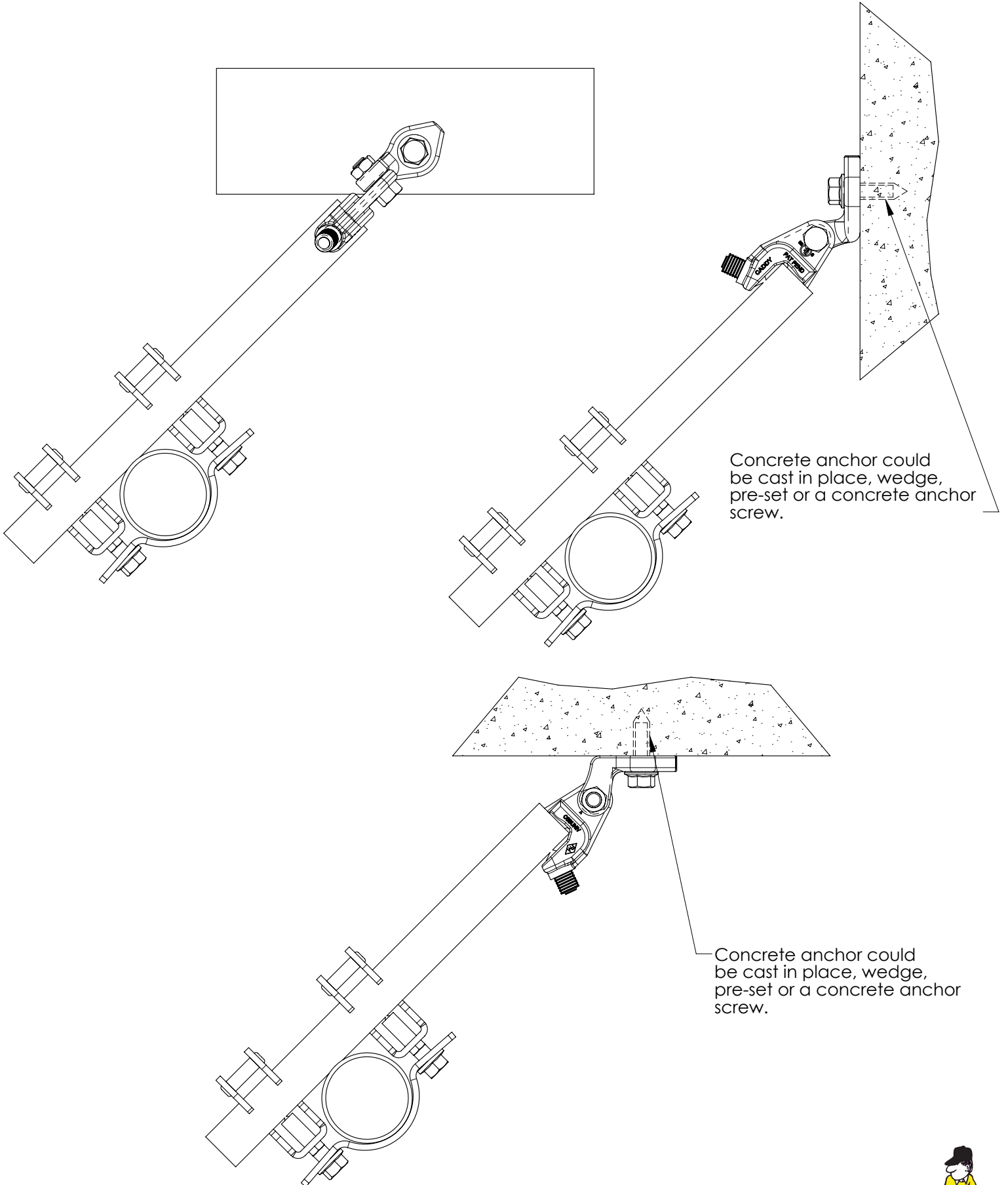


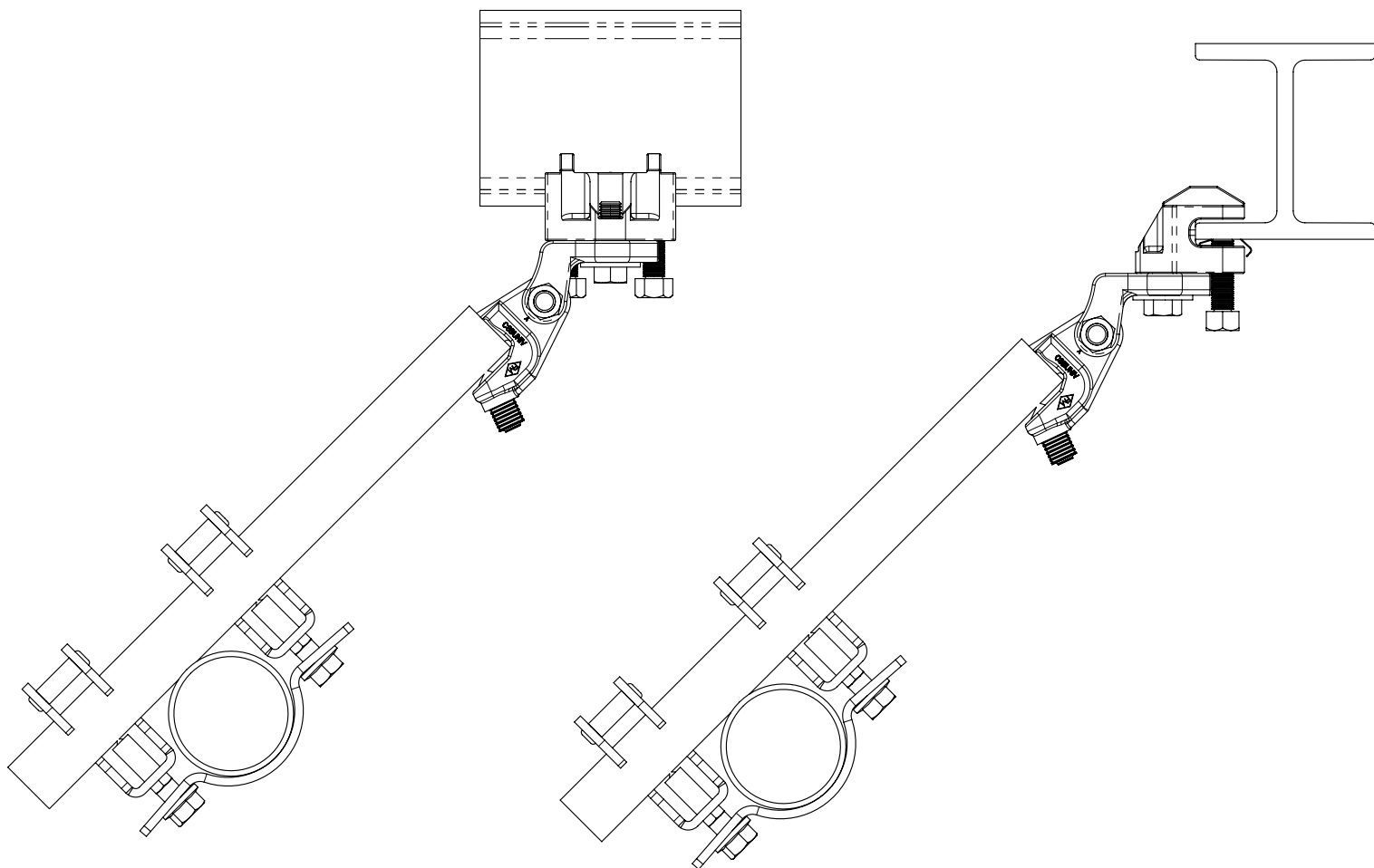


Concrete anchor could be cast in place, wedge, pre-set or a concrete anchor screw.

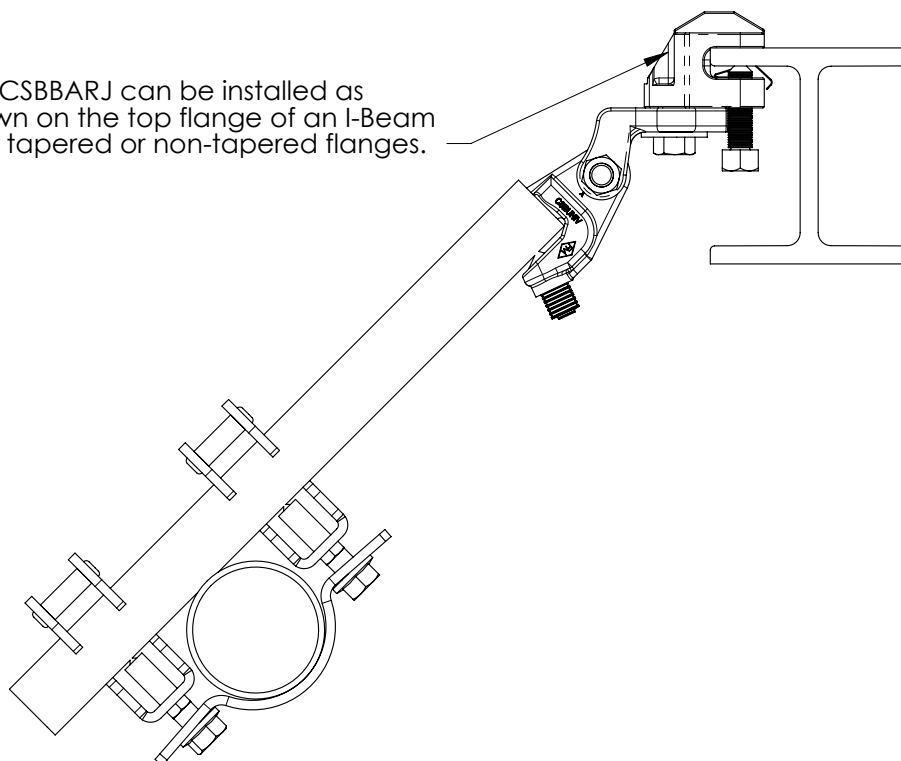


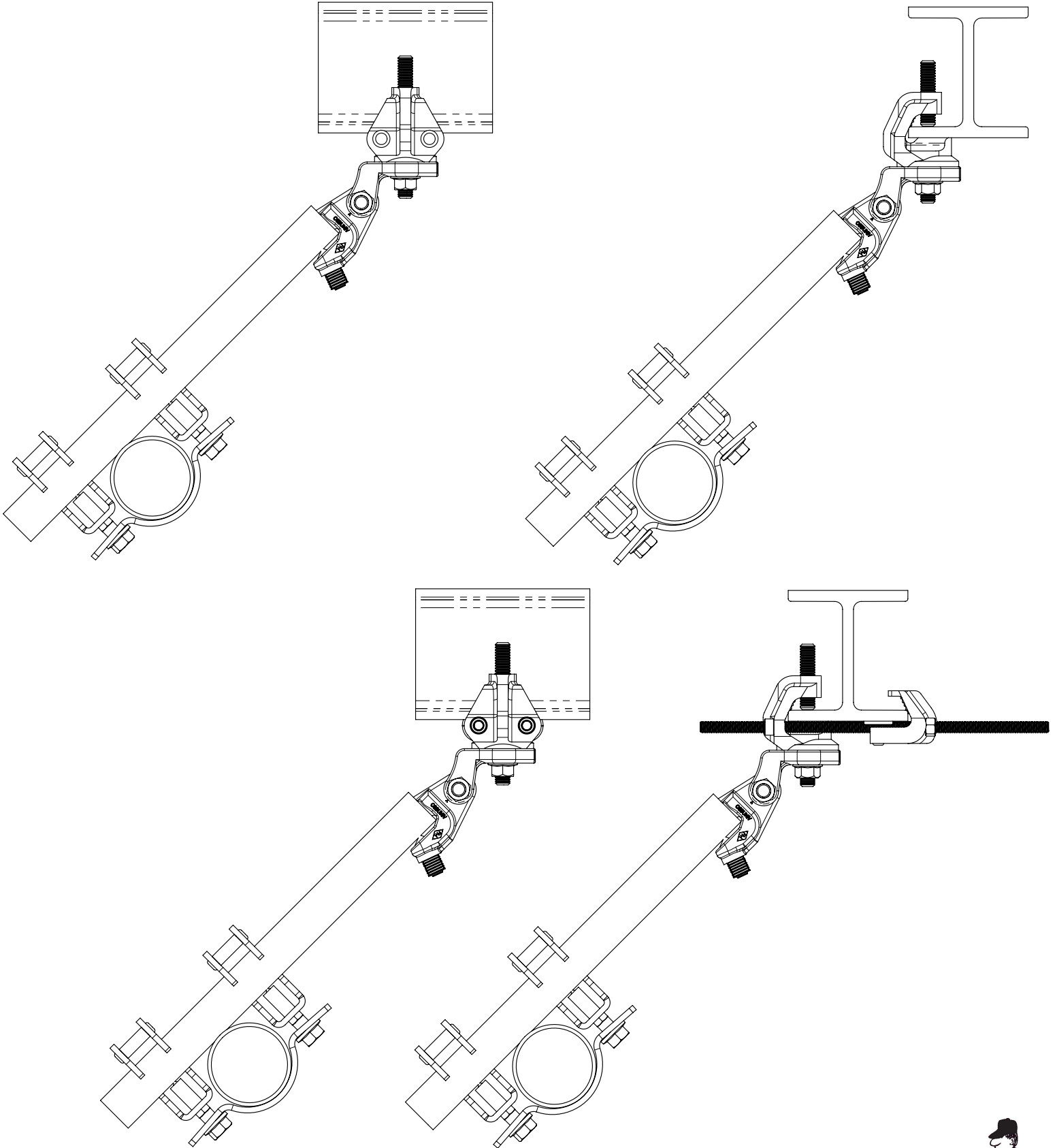
Concrete anchor could be cast in place, wedge, pre-set or a concrete anchor screw.

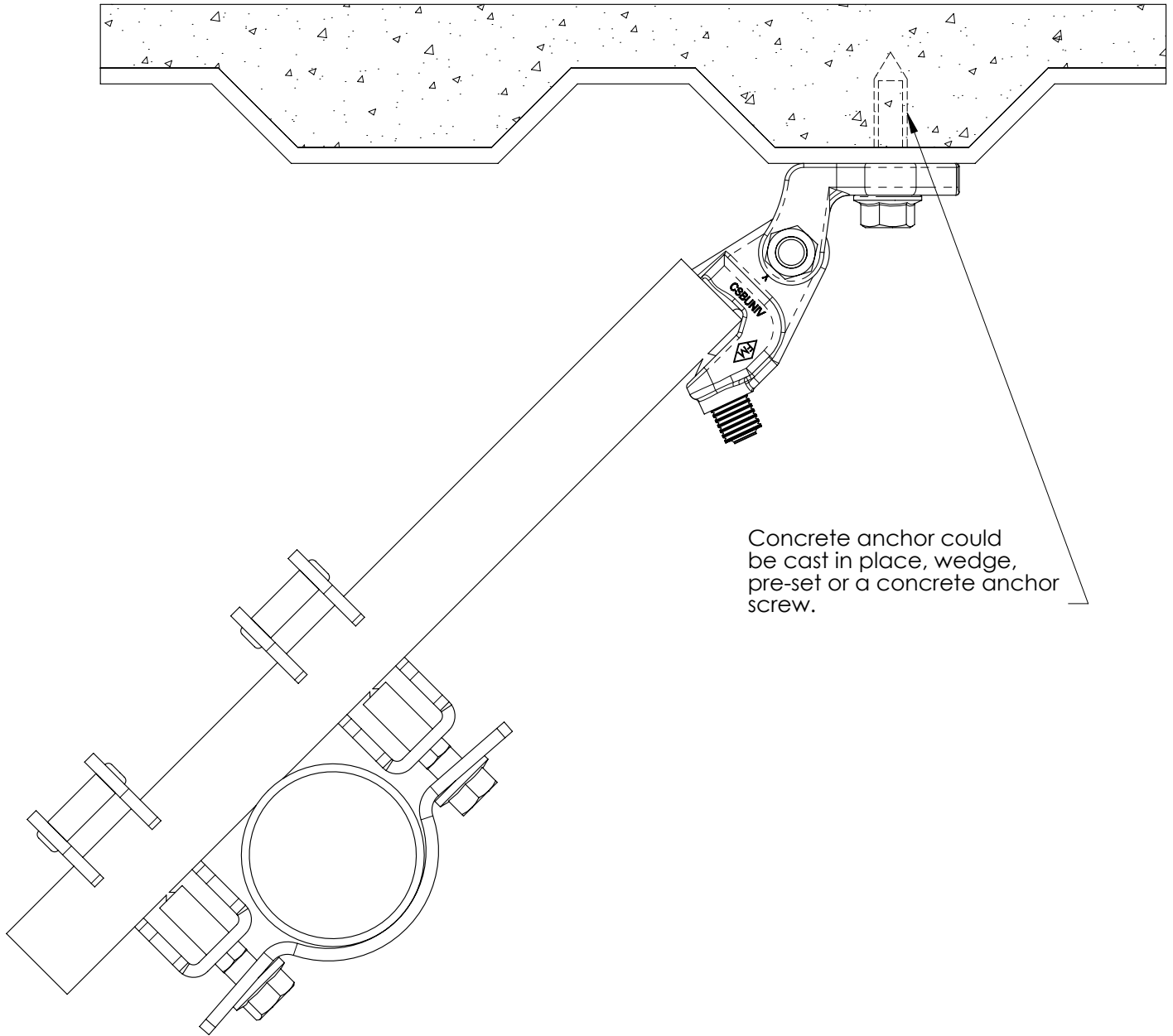




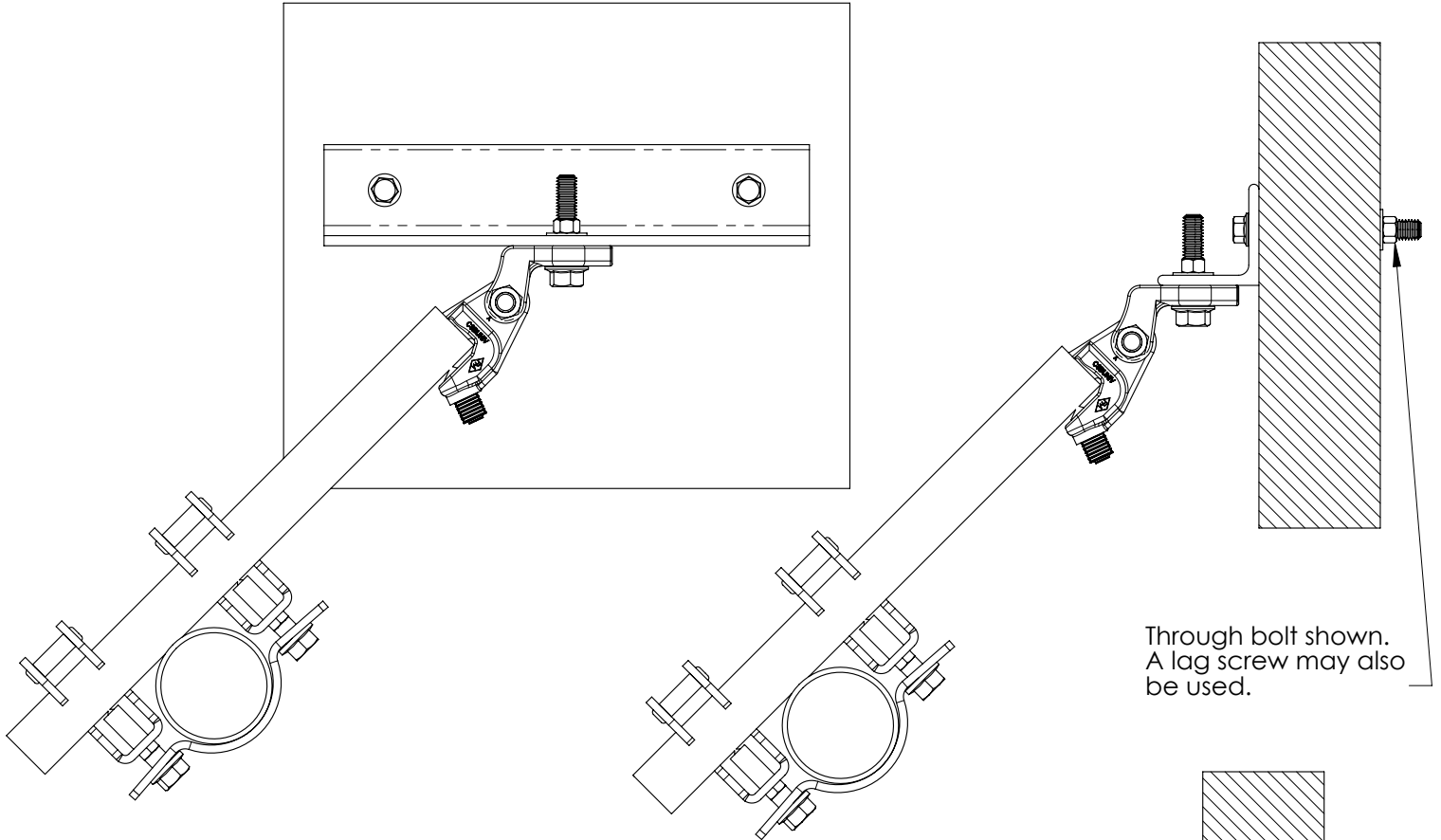
The CSBBARJ can be installed as shown on the top flange of an I-Beam with tapered or non-tapered flanges.



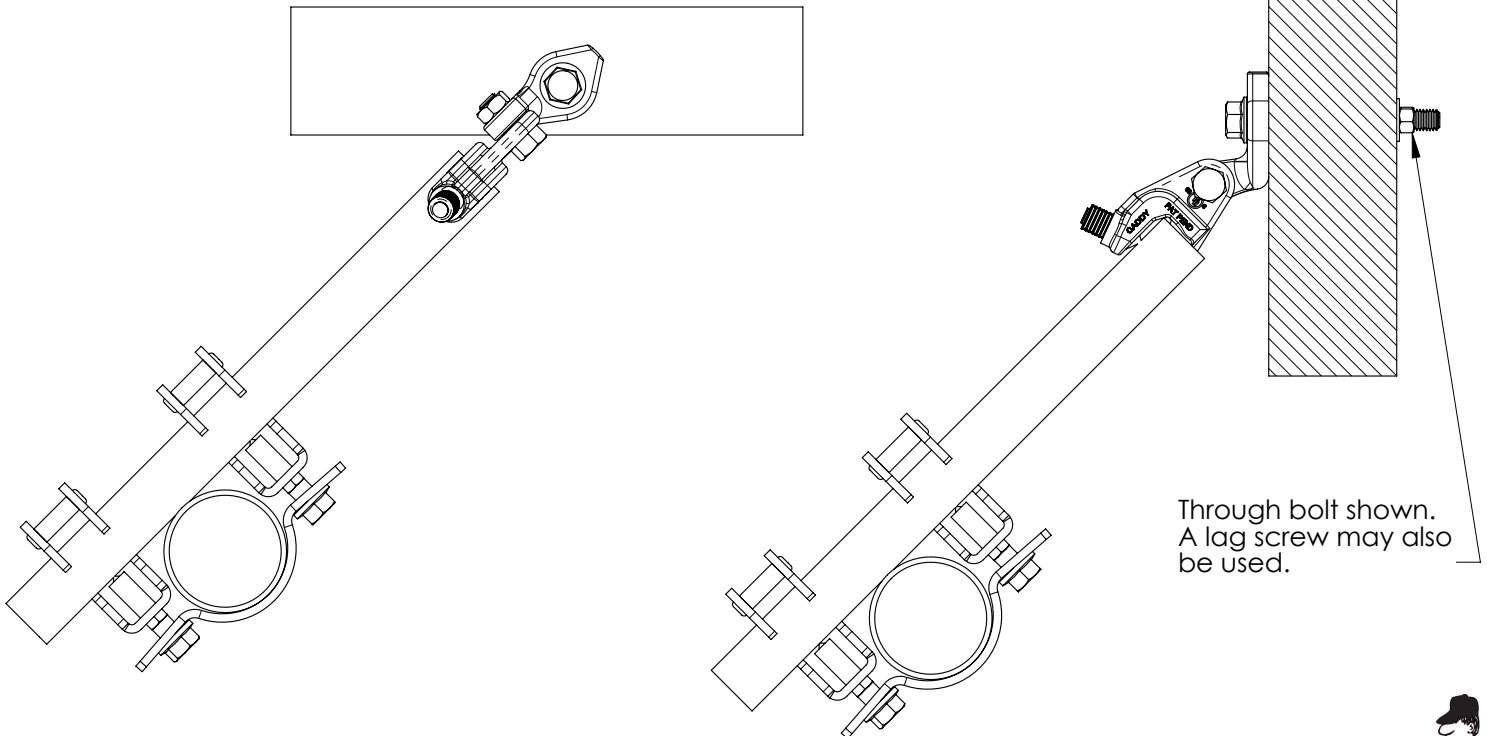




Concrete anchor could be cast in place, wedge, pre-set or a concrete anchor screw.



Through bolt shown.  
A lag screw may also  
be used.



Through bolt shown.  
A lag screw may also  
be used.