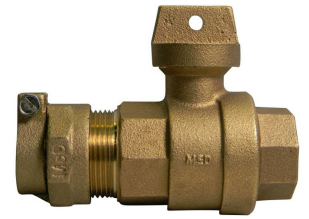


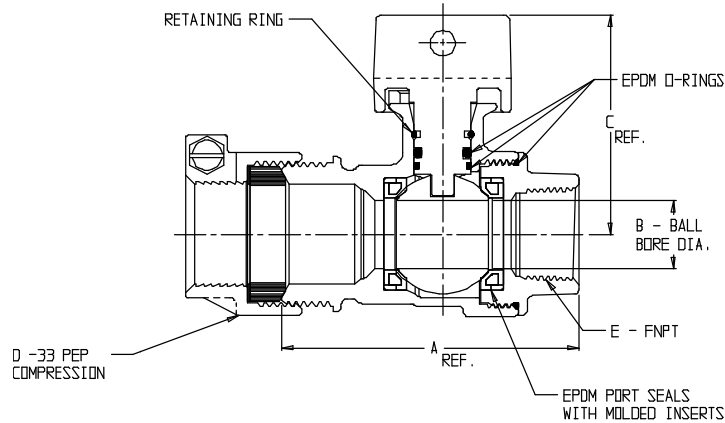
SUBMITTAL DATA SHEET

NL Ball Style Curb Stop – 76102-33

-33 PEP Compression x FNPT



DRAWING MAY NOT RESEMBLE ACTUAL VALVE CONFIGURATION



MODEL	SIZE	A	B	C	D	E
76102-33	3/4 X 5/8 X 3/4	3.88	.63	2.32	3/4	3/4
76102-33	3/4	3.28	.75	2.41	3/4	3/4
76102-33	3/4 X 3/4 X 1	3.42	.75	2.41	3/4	1
76102-33	3/4 X 1 X 1	3.76	1.00	2.64	3/4	1
76102-33	1 X 1 X 3/4	4.86	1.00	2.64	1	3/4
76102-33	1	4.06	1.00	2.64	1	1
76102-33	1 1/4	4.63	1.25	2.94	1 1/4	1 1/4
76102-33	1 1/2	5.12	1.50	3.40	1 1/2	1 1/2
76102-33	2	6.76	2.00	3.71	2	2

SUBMITTAL INFORMATION

- Manufactured in compliance with ANSI/AWWA C800 (latest revision)
- Brass components in contact with potable water conform to ASTM B584, UNS C89833 (latest revision) and identified with "NL"
- Certified to NSF/ANSI 61 and NSF/ANSI 372
- Brass components not in contact with potable water conform to ASTM B62 and ASTM B584, UNS C83600 -85-5-5-5 (latest revision)
- PTFE coated brass ball
- Rated for 300 PSIG water pressure
- Blow out proof EPDM port seals
- End piece joint sealed with an EPDM o-ring and thread locker
- Insert stiffeners required on all flexible plastic connections



A.Y. McDonald Mfg. Co.
P.O. Box 508
Dubuque, IA 52004-508

Toll Free: 1-800-292-2737
Fax: 1-800-832-9296
Hours: 7:00 a.m. – 5:00 p.m., CST

sales@aymcdonald.com
www.aymcdonald.com

A.Y. McDonald considers the information on this assembly drawing correct when published. Item and option availability, including specifications, are subject to change without notice.

Submitted by: