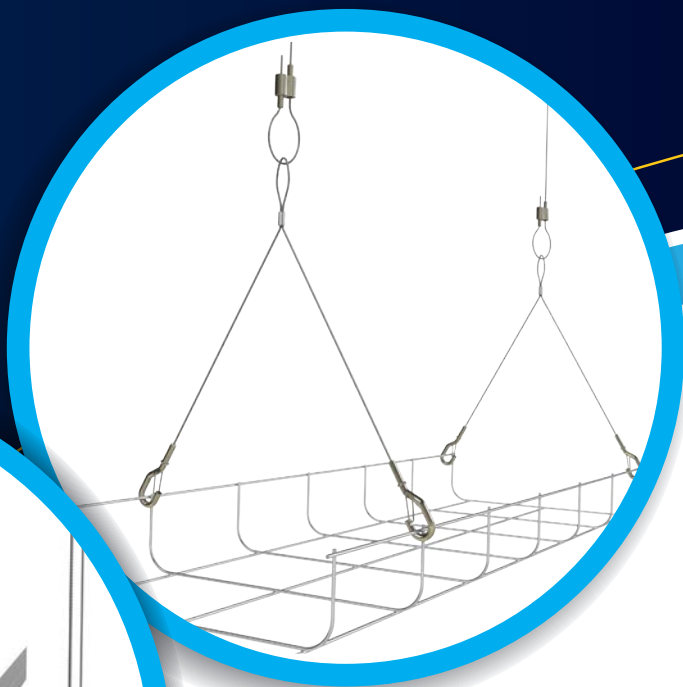


GRIP
LOCK

SYSTEMS



ELECTRICAL & INDUSTRIAL LIGHTING CABLE SUSPENSION

volume I

About Griplock Systems	Page 2
Electrical Suspension Systems	Page 3-8
Build Your Kit: Electrical part number	Page 4
Y-Loops	Page 5
Looping Gripper	Page 6
Strut Gripper (downward facing)	Page 7
Strut Gripper (upward facing)	Page 8
Industrial Lighting Suspension Systems	Page 9-16
Track Lighting	Page 10
Power Feed Kits	Page 11
Non-feed Kits	Page 12
Y-Cables	Page 13
X-Cables	Page 14
Single Cables	Page 15
V-Clips	Page 16
Installation Guidelines	Page 17
Weight Load Guidelines	Page 18

Griplock Systems, LLC

793 Duncan Reidville Rd.
Duncan, SC 29334

1029 Cindy Lane
Carpinteria, CA 93013

GRIPLOCK® SYSTEMS

Griplock designs, engineers, manufactures and distributes adjustable and fixed cable suspension systems for use in the Electrical, lighting, HVAC, retail display, art, suspended ceiling, trade show, rigging and defense industries. Since 1992 Griplock has provided manufacturers and contractors with the broadest selection of the highest quality, most reliable cable suspension products in the world.

GRIPLOCK® GRIPPERS

The cable gripper is a fully adjustable cable suspension device for use with 7x7 and 7x19 aircraft cable only. It automatically locks anywhere on the cable and can be moved up or down at the touch of a button. As shown in the drawings, the three ball bearings sit in three of the six grooves on the circumference of the cable so the pressure on the cable is evenly distributed.

As a result, the gripper holds about 60% of the published break strength of the cable. Griplock recommends a 5:1 working load limit (WLL) based upon that 60%. This makes the gripper the fastest, strongest and simplest way for suspension. During the last 30+ years, the aircraft cable / gripper combination has become the preferred suspension system by manufacturers and installers worldwide.

The Griplock Gripper is precision built to our own specifications. We closely monitor quality, and batch-test every shipment received. We continually refine the gripping mechanism to produce better results.

WHERE IT STOPS, IT LOCKS®

Griplock Grippers. Sophisticated in design, simple to use:

- Insert the cable through the plunger into the gripper mechanism. Slide the gripper to the desired position.
- To re-adjust, depress the plunger with your fingertip and move the gripper to a new position. Release the plunger to lock.
- The 3- or 6-ball gripping mechanism is spring-loaded and allows the gripper to move freely UP the cable. The gripper cannot move DOWN the cable unless the plunger is depressed.
- An optional safety nut or safety cap can be added to completely lock the mechanism in both directions.

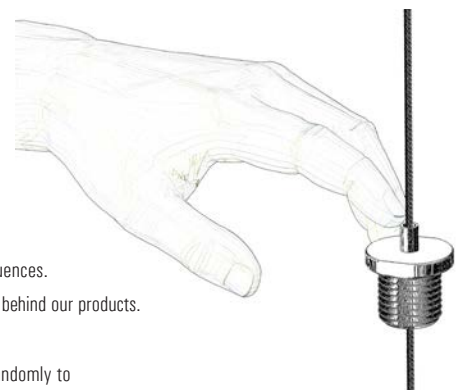
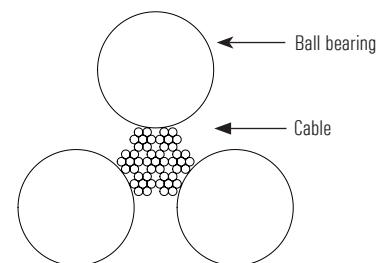
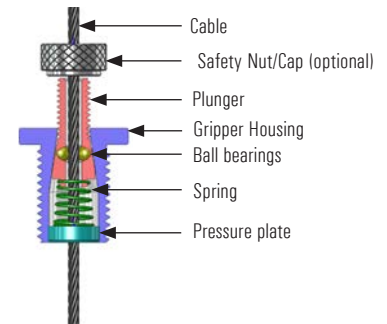
QUALITY & SAFETY

Griplock's highest priority is safety. Improper installation and/or the wrong choice of components can have devastating consequences. Griplock's reputation is built on safety, quality, customer service and 30 years of experience. Our customers know that we stand squarely behind our products.

Griplock's quality control system is modeled after ISO 9001. Prior to assembly, all individual Griplock Gripper components are tested randomly to meet Griplock's high QC standards. Griplock products are the safest, strongest, simplest and most versatile system of its kind on the market today, offering thousands of precision-made parts to fit almost every conceivable application.

TESTING AND VERIFICATION

Griplock cable suspension systems are tested to the highest standards.





1. Choose Your Cable Diameter



1/16"

16



3/32"

24



1/8"

30

*Kits are sold in packs of 10.
(10 cables / 10 grippers)*



SF

ShotFire
1/16"-3/32" Cable

2. Choose Your Ceiling Attachment



44

Swaged Loop
1/16"-1/8" Cable



1420

1/4-20 Threaded Stud
1/16" Cable



3816

3/8-16 Threaded Stud
3/32"-1/8" Cable



TG

Toggle
1/16"-1/8" Cable



GH

Snap Clip
1/16"-3/32" Cable



2PCC

2-Part Coupler
1/16" - 1/8" Cable



CC1

1/4-20 Threaded Coupler
1/16"-3/32" Cable



CC2

3/8-16 Threaded Coupler
1/16"-1/8" Cable



8914

1/4" 90° Eyelet
3/32"-1/8" Cable



8938

3/8" 90° Eyelet
3/32"-1/8" Cable



8814

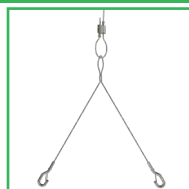
1/4" Straight Eyelet
3/32"-1/8" Cable



8838

3/8" Straight Eyelet
3/32"-1/8" Cable

3. Choose Your Product Attachment



YGH

Y-Loop
3/32" Cable



X2

Looping Gripper
1/16" - 1/8" Cable



ST1

Strut Gripper
3/32"-1/8" Cable



ST2

Strut Gripper
3/32"-1/8" Cable

4. Choose Your Cable Length



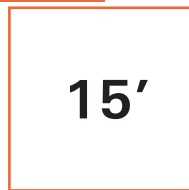
5'

60



10'

120



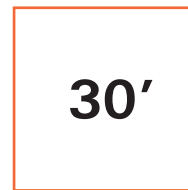
15'

180



20'

240



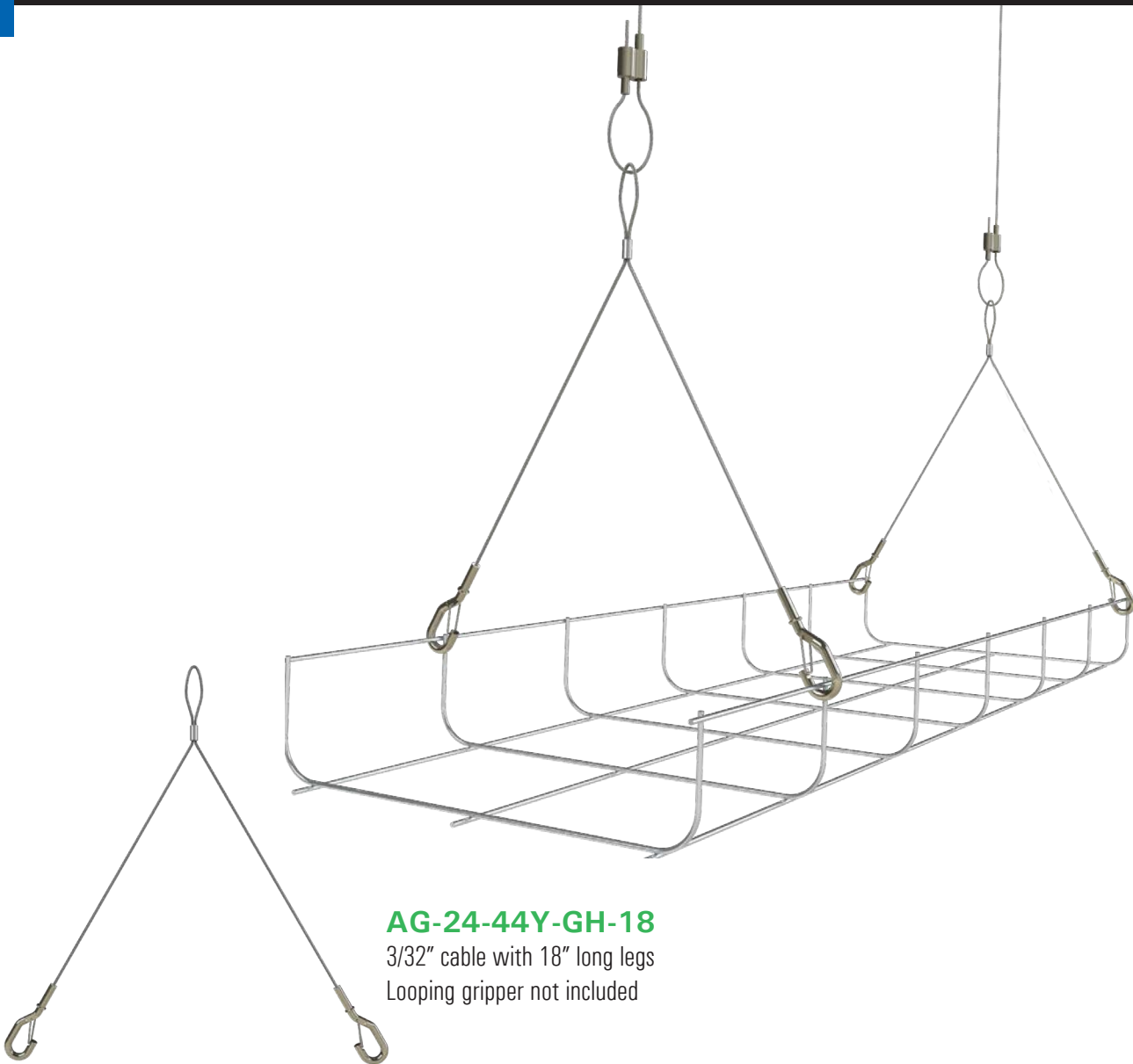
30'

360

5. Create Your Product Number

EX: (GH-AG24-2PCC-X2-180)

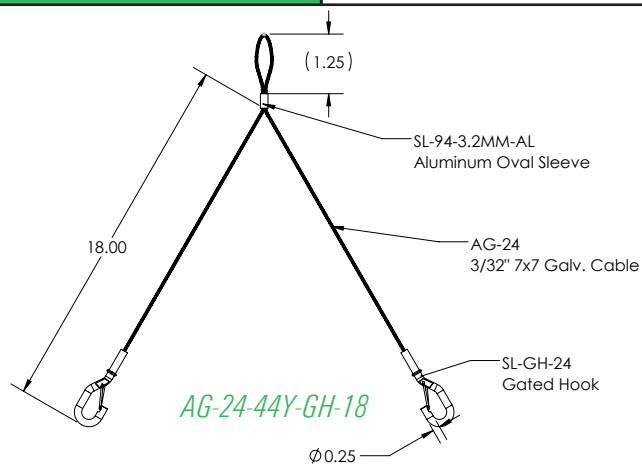
G	H	-	A	G			-												
----------	----------	---	----------	----------	--	--	---	--	--	--	--	--	--	--	--	--	--	--	--

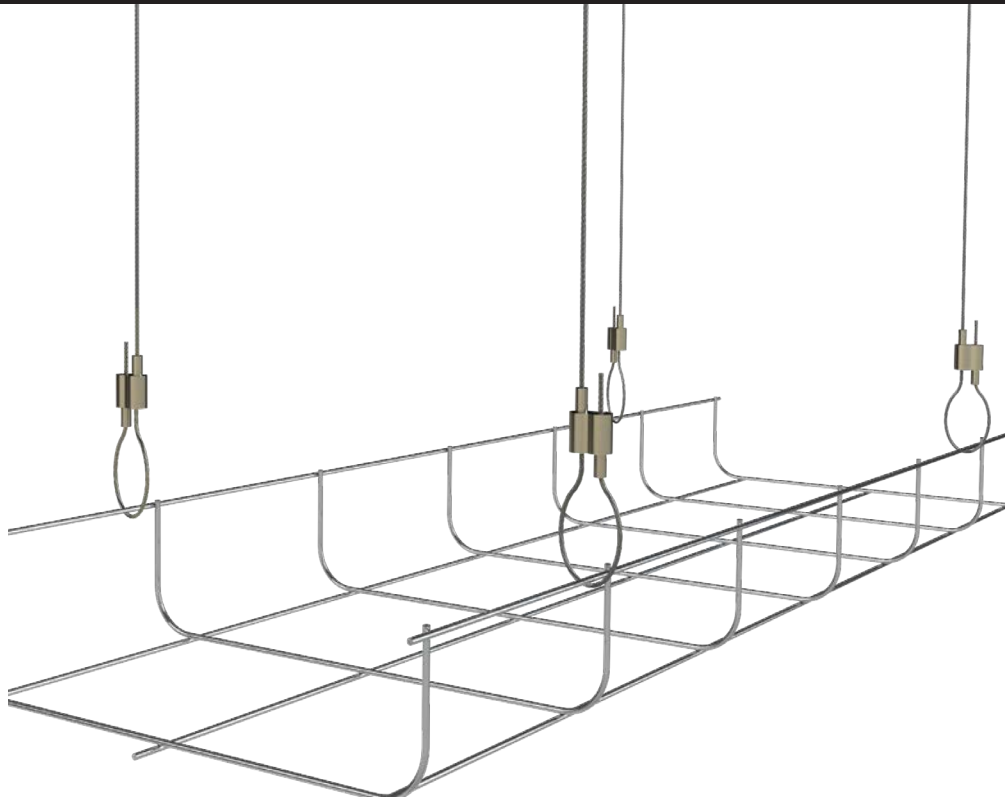


AG-24-44Y-GH-18

3/32" cable with 18" long legs
Looping gripper not included

Working Load Limit (WLL) 5:1 Safety Factor	Dependent upon looping gripper used
	Never exceed 160 lbs

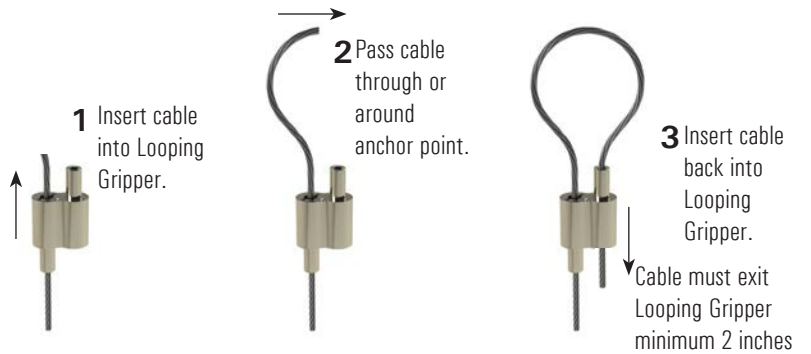




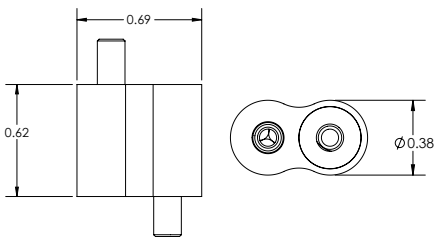
ZF-15X2-HG
for use with 1/16" cable

ZF-25X2-HG
for use with 3/32"

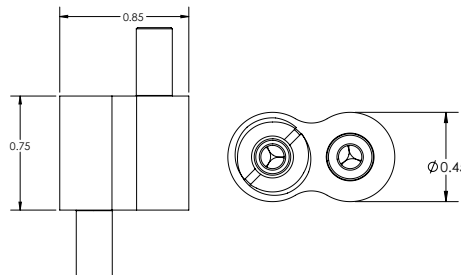
ZF-30X2-HG
for use with 1/8" cable



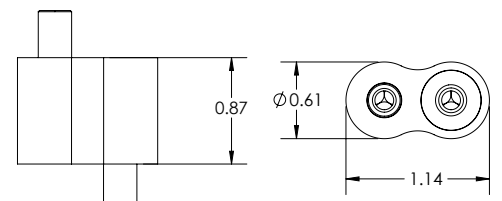
Working Load Limit (WLL) 5:1 Safety Factor	1/16"	3/32"	1/8"
	75 lbs	160 lbs	250 lbs



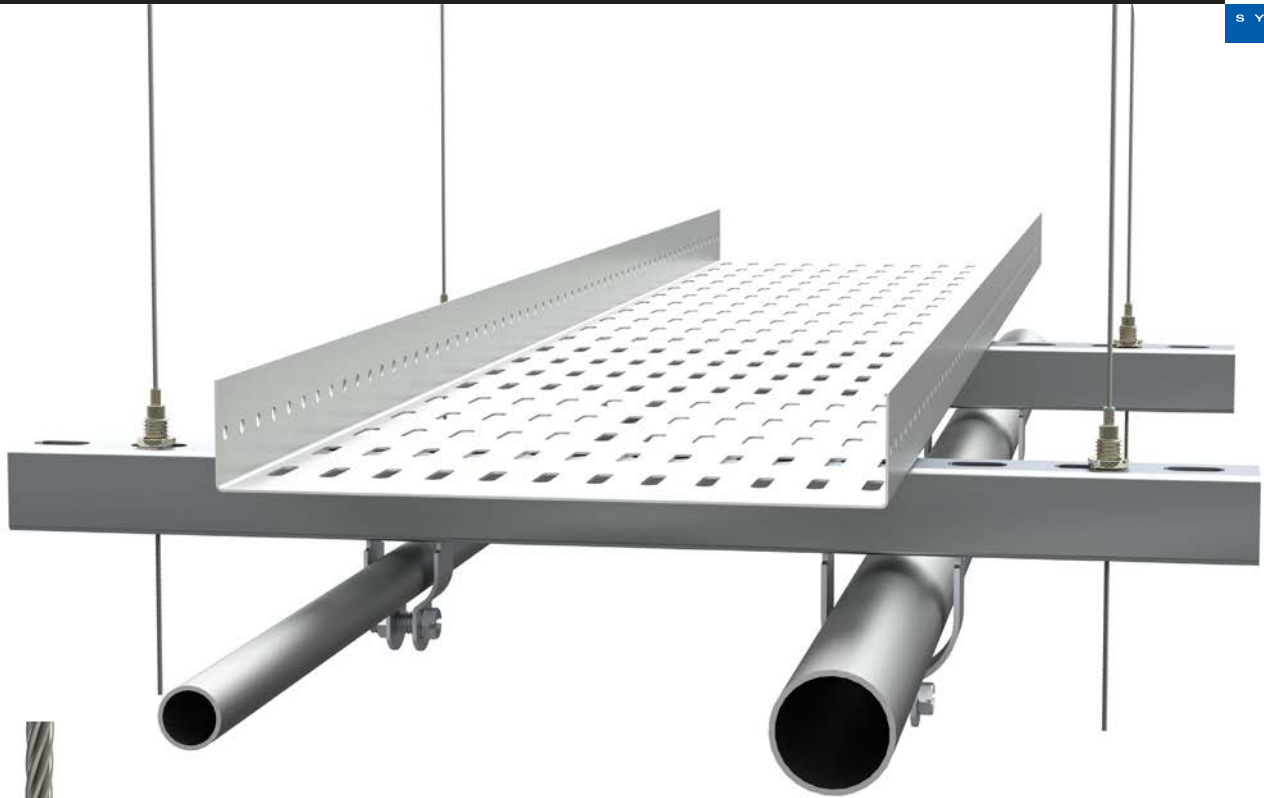
ZF-15X2-HG



ZF-25X2-HG



ZF-30X2-HG



ZF-25-1213-KFB

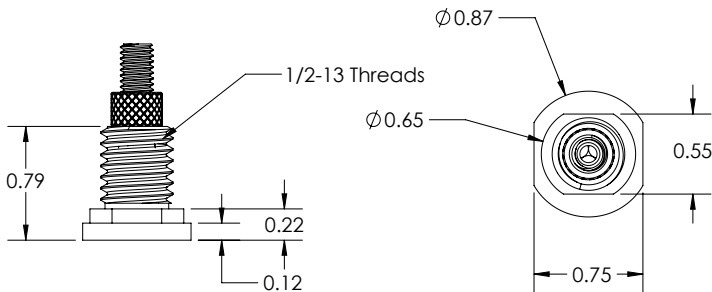
for use with 3/32" cable

ZF-30-STRUT-KFB

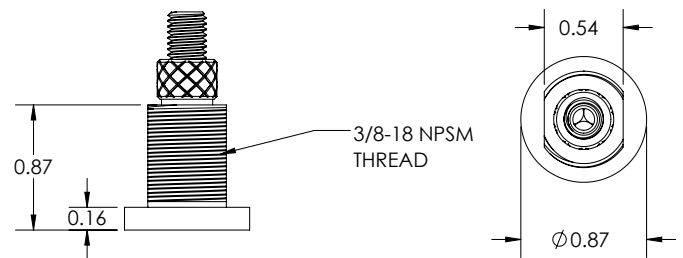
for use with 1/8" cable

- For attaching to downward facing strut
- Bottom cable exit
- Ability to connect multiple grippers to multiple struts with a single cable

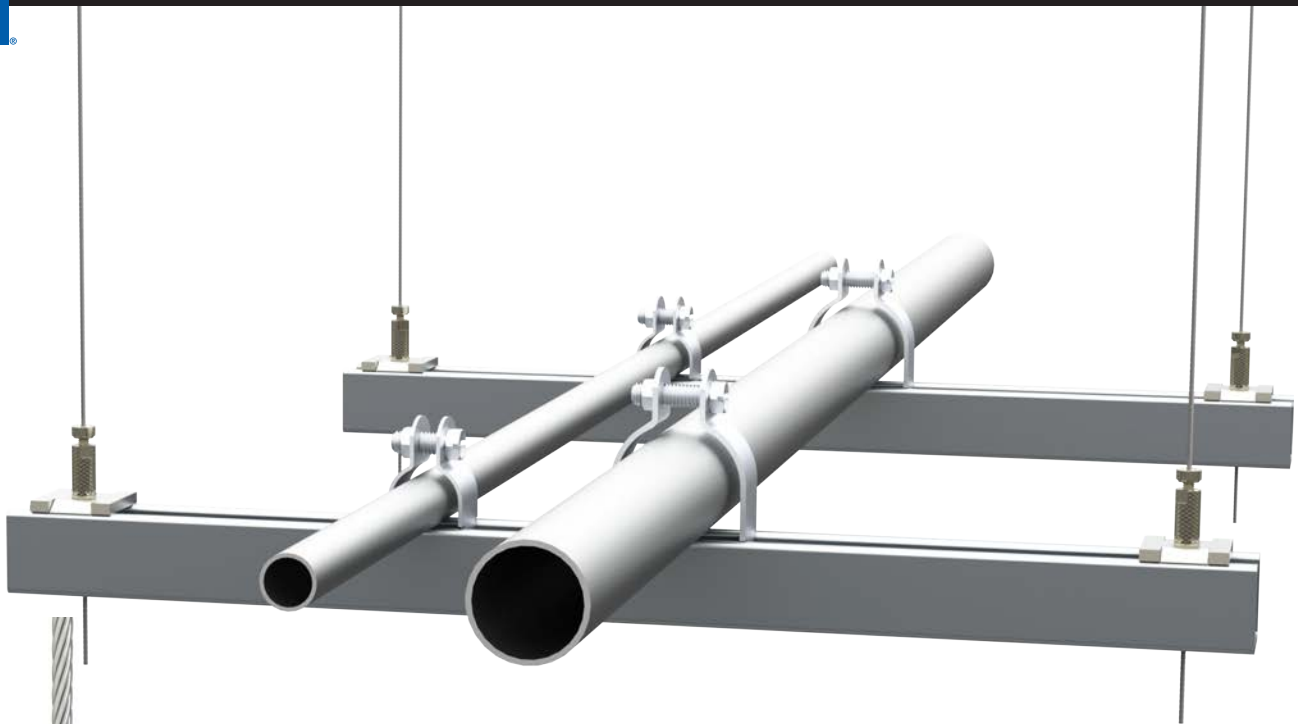
Working Load Limit (WLL) 5:1 Safety Factor	3/32"	1/8"
	100 lbs	200 lbs



ZF-25-1213-KFB



ZF-30-STRUT-KFB

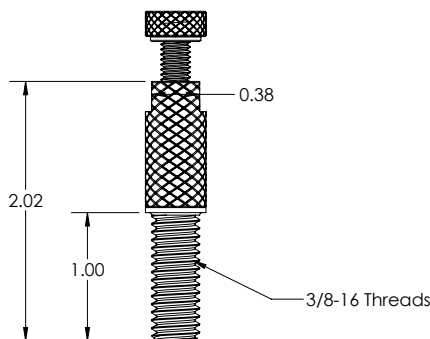


ZF-25-3816-S
for use with 3/32" cable

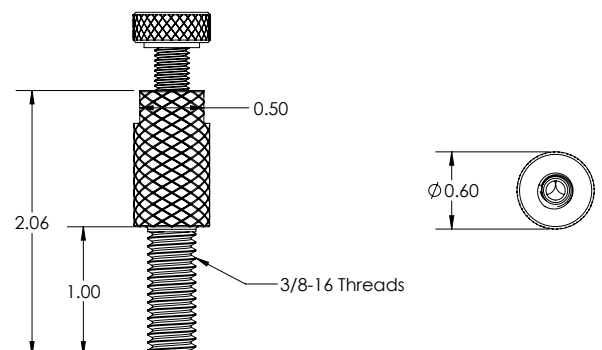
ZF-30-3816-S
for use with 1/8" cable

- For attaching to upward facing strut
- Bottom cable exit
- Ability to connect multiple grippers to multiple struts with a single cable
- Channel nut required. *Can be purchased from Griplock Systems (see pg. 18)*

Working Load Limit (WLL) 5:1 Safety Factor	3/32"	1/8"
	100 lbs	200 lbs



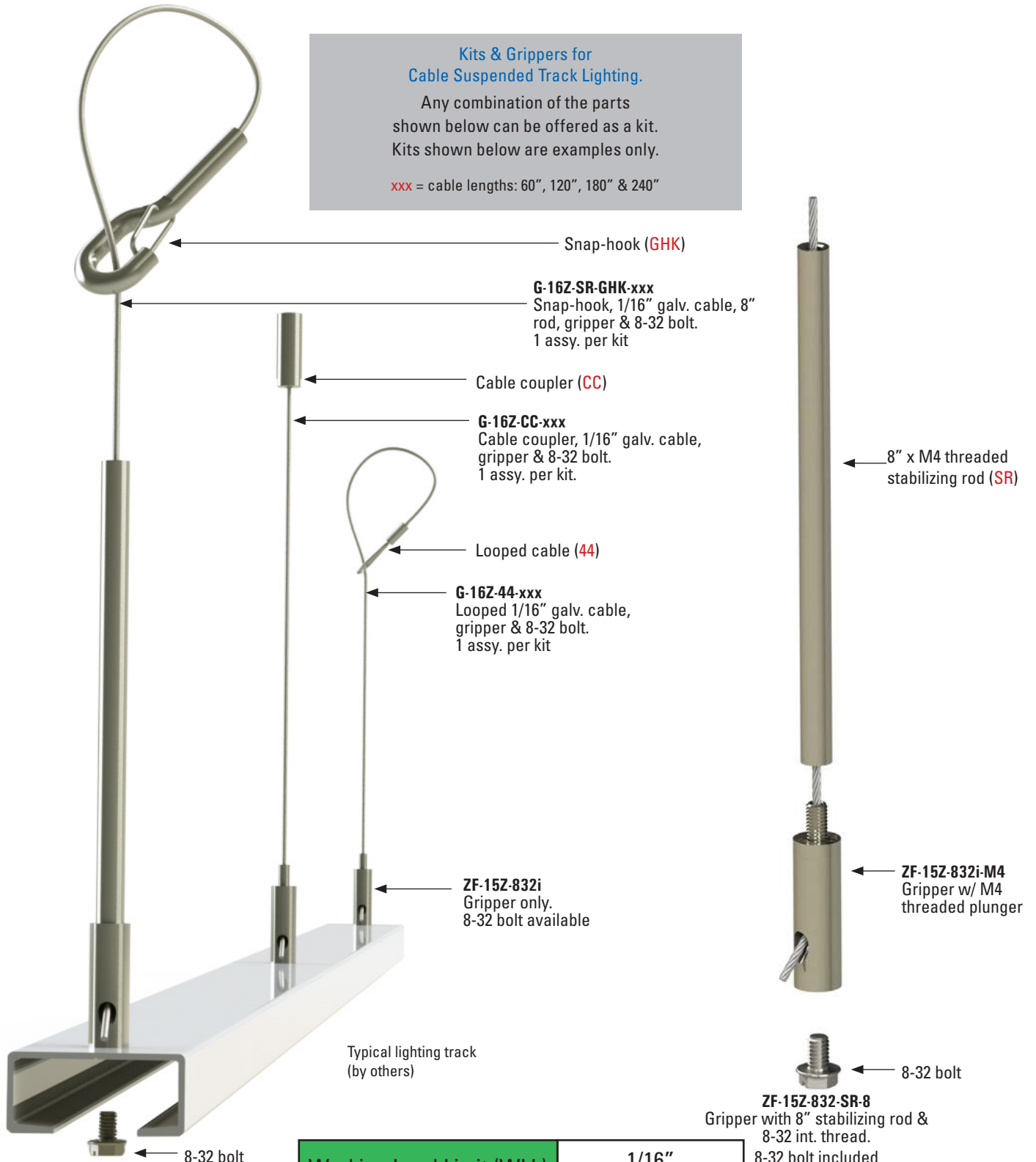
ZF-25-3816-S



ZF-30-3816-S



Track Lighting grippers can be used with any number of Power Feed and Non-Feed Architectural Kits on pages 11-12. The Stabilizing Rod (SR) for track lighting, an 8" nickel-plated stem that screws down onto the threaded plunger of our track-suspension gripper, can be added to any kit. The Stabilizing Rod locks down the cable-gripping mechanism and helps leverage an off-balance track back to its correct position.



Working Load Limit (WLL) 5:1 Safety Factor	1/16"
	50 lbs

Grippers are NOT supplied with these kits. Refer to the website or Lighting Catalog for a complete list of available grippers.

Cables are available in galvanized (AG) or stainless steel (AS).

xxx = Cable length in inches Stock lengths: 24", 48", 96", 120", 150", 180" & 240"

POWER FEED KITS

1/16" galvanized cable
1/16" stainless steel cable
Cord & canopy in black

P/N examples

GA-AG16-PF184-xxx
GA-AS16-PF183-xxx
GA-AG16-PF183B-xxx

POWER FEED KITS FOR VAULTED CEILINGS

1/16" galvanized cable
1/16" stainless steel cable
Cord & canopy in black

P/N examples

GA-AG16-SL-PF123-xxx
GA-AS16-SL-PF183-xxx
GA-AG16-SL-PF183B-xxx

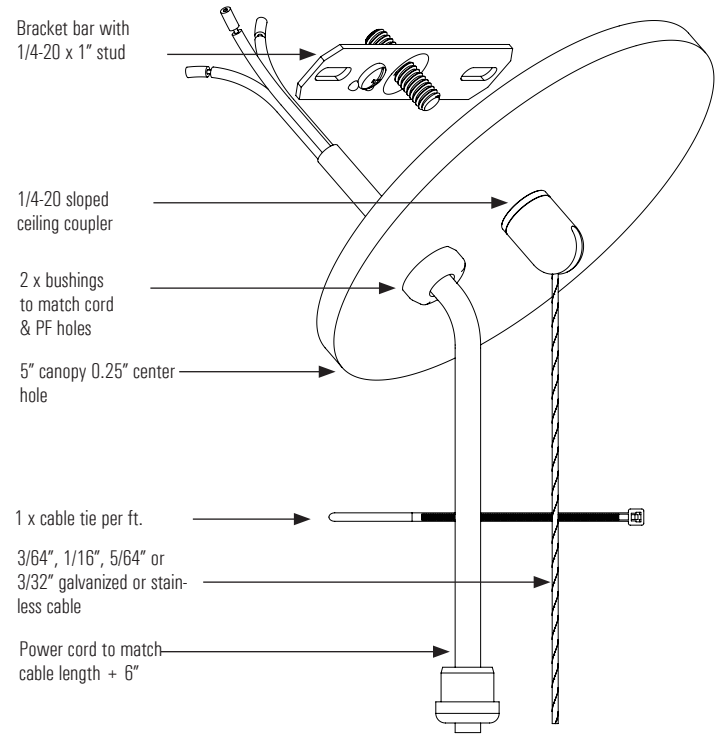
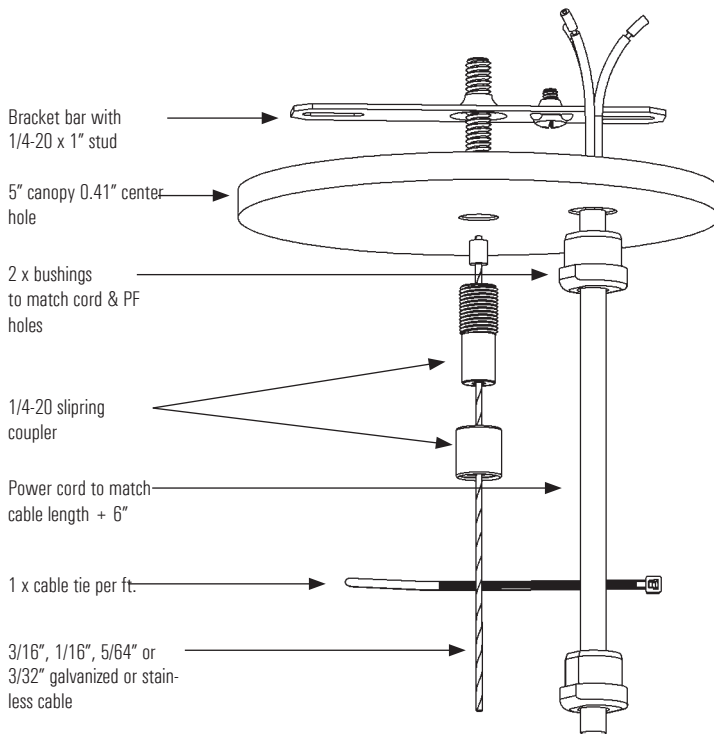
Typical power cords:

18/2 SVT white (PF182)
18/2 SVT black (PF182B)
18/3 SVT white (PF183)
18/3 SVT black (PF183B)

18/4 AWM white (PF184)
18/4 AWM black (PF184B)
18/3-22/2 AWM white (PF183222)
18/3-22/2 AWM black (PF183222-B)

16/3 SJT white (PF163)
14/3 SJT white (PF143)
14/3 SJT black (PF143B)
14/4 SJT white (PF144)

The lettering in red shows how a power cord could appear in the part number of the GA kit you want to order. There's a list of available power cords on page 34 of the Lighting Catalog, as there isn't room on this page to list each one. However, Griplock's customer service can create a GA kit containing any available cord in the standard lengths shown at the top of this page.



Grippers are NOT supplied with these kits. Refer to the website or Lighting Catalog for a complete list of available grippers.

Cables are available in galvanized (AG) or stainless steel (AS).

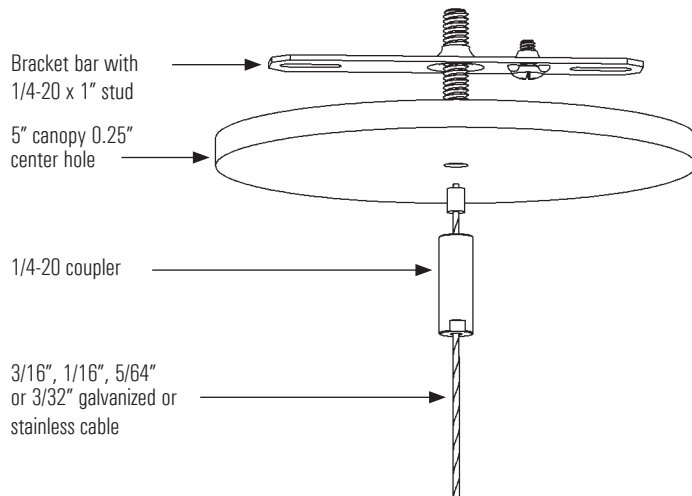
xxx = Cable length in inches Stock lengths: 24", 48", 96", 120", 150", 180" & 240"

NON-FEED KITS

- 1/16" galvanized cable
- 1/16" stainless steel cable
- Canopy in black

P/N examples

- GA-AG16-Q5-xxx
- GA-AS16-Q5-xxx
- GA-AG16-Q5B-xxx

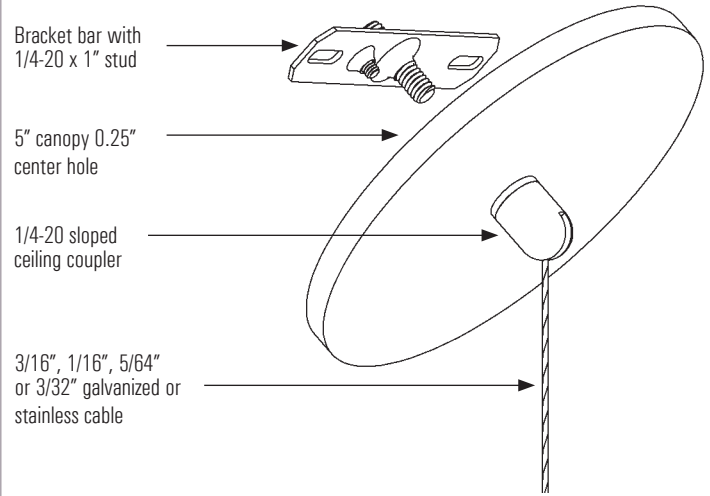


NON-FEED KITS FOR VAULTED CEILINGS

- 1/16" galvanized cable
- 1/16" stainless steel cable
- Canopy in black

P/N examples

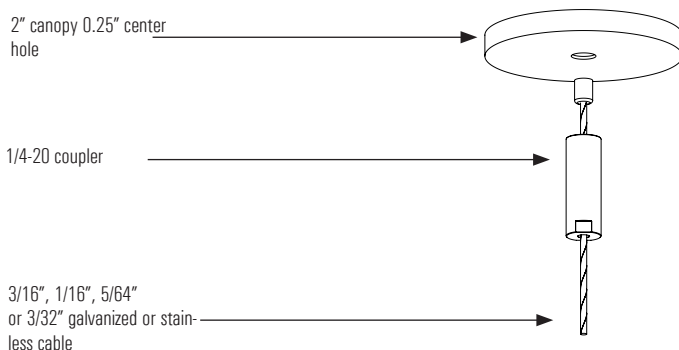
- GA-AG16-SL-Q5-xxx
- GA-AS16-SL-Q5-xxx
- GA-AG16-SL-Q5B-xxx



- 1/16" galvanized cable
- 1/16" stainless steel cable
- Canopy in black

P/N examples

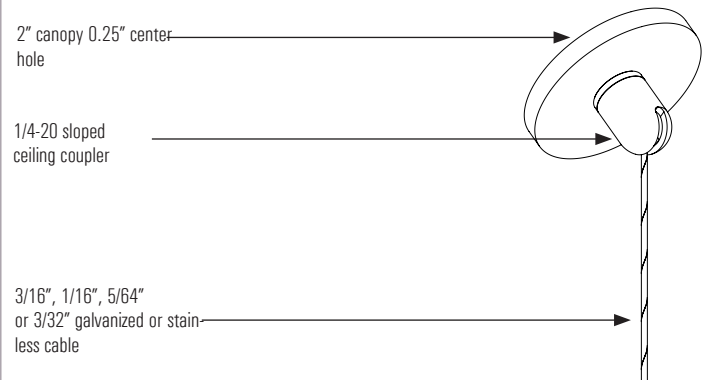
- GA-AG16-Q2-xxx
- GA-AS16-Q2-xxx
- GA-AG16-Q2B-xxx



- 1/16" galvanized cable
- 1/16" stainless steel cable
- Canopy in black

P/N examples

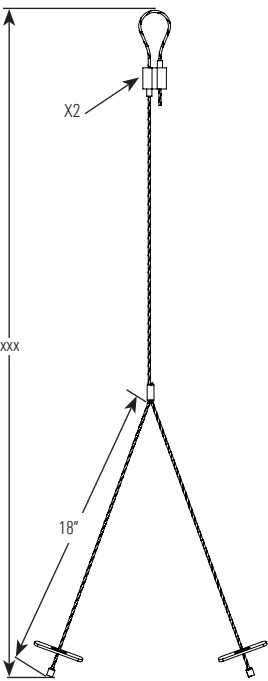
- GA-AG16-SL-Q2-xxx
- GA-AS16-SL-Q2-xxx
- GA-AG16-SL-Q2B-xxx



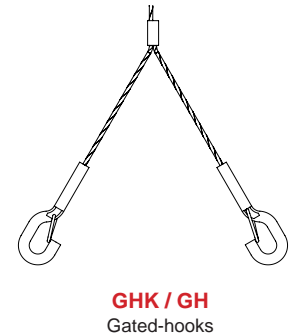
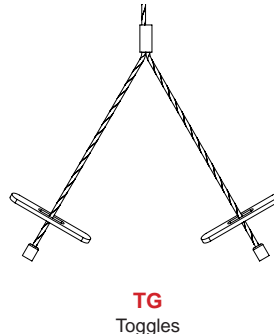
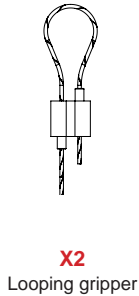


Working Load Limit (WLL) 5:1 Safety Factor	1/16"	5/64"
	50 lbs	100 lbs

Y-CABLES	CEILING ATTACHMENT	FIXTURE ATTACHMENTS	
----------	--------------------	---------------------	--



GI-16Y18-X2-TG-xxx
2 assys. per kit.

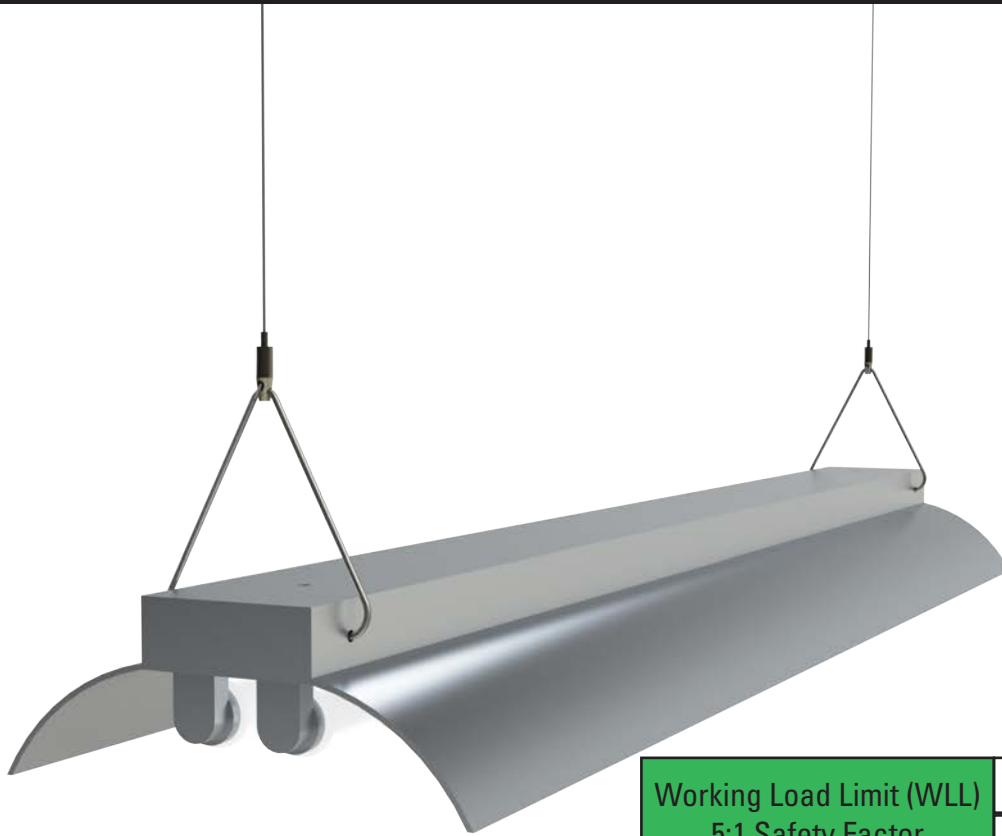


Y-CABLE KITS				
Part Number	Aircraft Cable	Leg Length	Fixture Attachment	Overall Length
GI-16Y18-X2-TG-60	1/16" Galvanized	18"	Toggle	78"
GI-16Y18-X2-TG-120	1/16" Galvanized	18"	Toggle	138"
GI-16Y18-X2-TG-180	1/16" Galvanized	18"	Toggle	198"
GI-16Y18-X2-TG-240	1/16" Galvanized	18"	Toggle	258"
GI-16Y18-X2-GHK-60	1/16" Galvanized	18"	Gated Hook	78"
GI-16Y18-X2-GHK-120	1/16" Galvanized	18"	Gated Hook	138"
GI-16Y18-X2-GHK-180	1/16" Galvanized	18"	Gated Hook	198"
GI-16Y18-X2-GHK-240	1/16" Galvanized	18"	Gated Hook	258"
GI-20Y21-X2-GH-60	5/64" Galvanized	21"	Gated Hook	81"
GI-20Y21-X2-GH-120	5/64" Galvanized	21"	Gated Hook	125"
GI-20Y21-X2-GH-180	5/64" Galvanized	21"	Gated Hook	186"
GI-20Y21-X2-GH-240	5/64" Galvanized	21"	Gated Hook	251"



Working Load Limit (WLL) 5:1 Safety Factor	1/16"
	50 lbs

SINGLE CABLES		CEILING AND FIXTURE ATTACHMENTS		
<p>GI-AG16-15Z-TG-xxx 2 assys. per kit.</p>	<p>44 Loop</p>	<p>CC 1/4-20 cable coupler</p>	<p>TG Toggle</p>	<p>GHK Snap-hook</p>
	<p>15Z Gripper w/ 1/4-20 int. thread</p>	<p>X2 Looping gripper</p>	<p>SINGLE CABLE KITS</p> <p>Single cable systems can be used inversely:</p> <p>GI-AG16-15Z-44-xxx GI-AG16-15Z-CC-xxx GI-AG16-15Z-TG-xxx GI-AG16-15Z-GHK-xxx</p> <p>GI-AG16-X2-44-xxx GI-AG16-X2-CC-xxx GI-AG16-X2-TG-xxx GI-AG16-X2-GHK-xxx</p> <p>xxx = overall length: 60", 120", 180" & 240"</p>	



Working Load Limit (WLL) 5:1 Safety Factor	Dependent upon v-clips used
	Never exceed 50 lbs

V-CLIP CABLES		CEILING ATTACHMENTS		
	<p>44 Loop</p>	<p>CC 1/4-20 cable coupler</p>	<p>TG Toggle</p>	<p>GHK Snap-hook</p>
FIXTURE ATTACHMENTS		SINGLE CABLE KITS		
<p>GI-AG16-V-44-xxx 2 assys. per kit.</p>	<p>HX-VCLIP-SM Side mount v-clip</p>	<p>HX-VCLIP-TM Top mount v-clip</p>	<p>GI-AG16-V-44-xxx GI-AG16-V-CC-xxx GI-AG16-V-TG-xxx GI-AG16-V-GHK-xxx</p> <p>xxx = overall length: 60", 120", 180" & 240"</p> <p>V-CLIPS Not supplied with kits but available from Griplock.</p>	

If this is the first time you've worked with Griplock Grippers, PLEASE READ THE FOLLOWING INFORMATION CAREFULLY.

INSTRUCTIONS FOR USE

The information is not applicable to any other cable gripping product. Use of Griplock supplied cables is assumed. Weight load guidelines and other specifications are for illustration purposes only. They should not be construed as a warranty that the product or system will conform. Each purchaser is solely responsible for determining (1) that the product and/or system is suitable for the intended application and (2) that the product and/or system complies with all federal, state and local safety and trade laws and regulations. End-users are cautioned that the integrity of the structures to which these components are attached and the fasteners used to attach them are critical to the integrity of the overall system and should therefore be evaluated by a qualified engineer or installer.

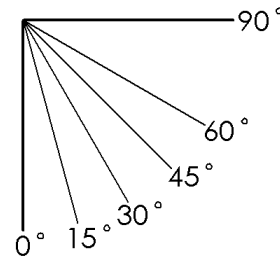
- Use only 7x7 or 7x19 uncoated galvanized or stainless steel aircraft cable.
- When feeding cable through a gripper always allow cable to pass 1" beyond the gripper mechanism. When cutting excess cable always leave 1/2" of cable showing. Cable should be cut using purpose-built cutters as shown to the right.
- Cable will not fray when cut unless passed repeatedly through the gripper mechanism or otherwise overworked. In this case trim the cable and apply a drop of super-glue.
- DO NOT ATTEMPT TO RUN AN ELECTRICAL CURRENT THROUGH THESE CABLES. Use a separate power cord.
- Adhere strictly to the Weight Load Guidelines. Use only gripper / cable combinations for which a static working load limit (WLL) has been specified, e.g. 1/16" cable with a Type 15 gripper.
- The Griplock system is generally not recommended for permanent outdoor installations. It should not be exposed to wind or water or allowed to oscillate continuously. Avoid using in chemical-laden environments such as indoor swimming pools (for more information on these applications please call our office).



TL-CUTTER-AS

ANGLED APPLICATIONS

- Cables should not enter or exit grippers at more than a 5° angle (see illustration at right).
- A pendant load exerts greater force on angled / non-vertical cables than it would on vertical cables.
- To determine the working load limit on an angled cable supporting a load, take the working load limit for the gripper / cable combination and multiply it by the factor from the chart below. For example, for a 1/16" galvanized cable with type 25 Premium gripper at a 45° angle, take the 50 lbs safe working load and multiply it by 0.70 from below: 50 lbs x 0.70 = 35 lbs. So 35 lbs will be the safe working load for each suspension at a 45° angle instead of 50 lbs for a vertical suspension.
- Angles beyond 60° are not recommended.



For more information about this please call our office.

ANGLE FROM VERT.	0°	15°	30°	45°	60°
FACTOR	1	0.96	0.86	0.70	0.50

PROPRIETARY AND CONFIDENTIAL: The drawings and specifications contained in this publication are the exclusive property of Griplock® Systems, LLC and shall not be divulged, reproduced, copied or used as the basis for the manufacture or sale of apparatus without the express written authorization of Griplock® Systems, LLC.

STATIC WORKING LOAD LIMITS (WLL) FOR GRIPLOCK® GRIPPERS

Safe working loads are 20% of the minimum break strength of the gripper / cable combination

CABLE DIAMETER		GRIPPER TYPE					
Inches	mm	Type 15 3-Ball	Type 25 3-Ball	Type 30 3-Ball	ZF-15X2-HG Looping	ZF-25X2-HG Looping	ZF-30X2-HG Looping
Safe Working Load in Pounds - 7x7 or 7x19 Galvanized Cable							
1/16"	1.6mm	50			75		
5/64"	2.0mm		75			100	
3/32"	2.5mm		100			160	
1/8"	3.2mm			200			250

- The 5:1 WLL reflects the cable industry standard. Where no WLL is shown, grippers and cables are not compatible.
- Chart indicates the WLL for gripper / cable combinations when used with 7x7 or 7x19 steel core uncoated galvanized aircraft cable. Do not use plastic coated cable.
- Chart applies to Griplock Grippers and Griplock provided cable only. They are not applicable to any other cable gripping product.

ACCESSORIES



TL-CUTTER-AS
Cable cutters for 1/32"-1/8"



HX-ABS-C-0.25
0.25" OD, 0.04" Wall,
Clear Plastic Tubing



HF-N-1213
Hex Nut 1/2"
HF-N-3816
Hex Nut 3/8"



HF-W-FSQ-1213-STRUT
Strut Channel Washer 1/2"
HF-W-FSQ-3816-STRUT
Strut Channel Washer 3/8"



HF-W-F-OCT-1213
Centering Strut Channel Washer 1/2"
HF-W-F-OCT-3816
Centering Strut Channel Washer 3/8"



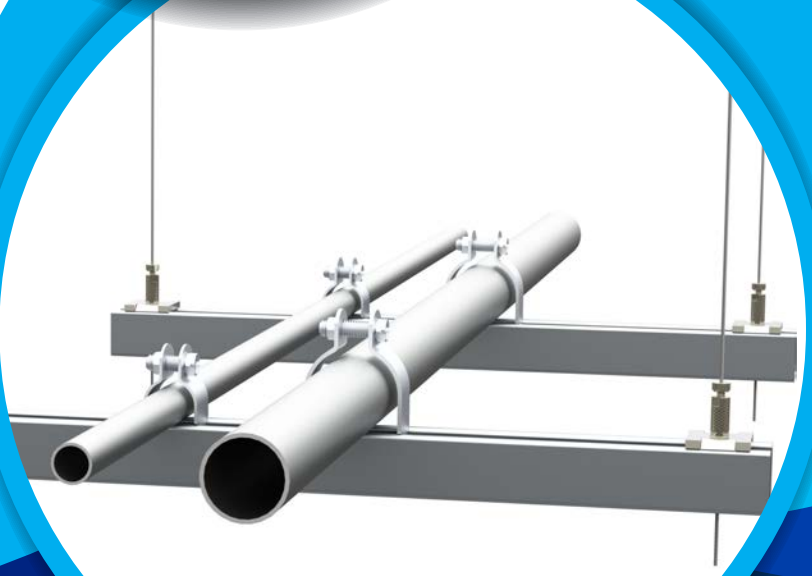
HF-W-FSQ-NS-1213
No-Spin Strut Channel Washer 1/2"
HF-W-FSQ-NS-3816
No-Spin Strut Channel Washer 3/8"



HF-N-1213-STRUT
Strut Channel Nut 1/2"
HF-N-3816-STRUT
Strut Channel Nut 3/8"

GRIP LOCK

SYSTEMS



793 Duncan Reidville Rd.
Duncan, SC 29334

1029 Cindy Lane
Carpinteria, CA 93013